



US00D984190S

(12) **United States Design Patent** (10) **Patent No.:** **US D984,190 S**
Licht et al. (45) **Date of Patent:** **** Apr. 25, 2023**

(54) **COFFEE MACHINE**
(71) Applicant: **Tchibo GmbH**, Hamburg (DE)
(72) Inventors: **Dirk Licht**, Munich (DE); **Dominik Meier**, Munich (DE); **Christian Jurke**, Munich (DE)

D891,846 S * 8/2020 Bignu D7/311
D892,530 S * 8/2020 Bignu D7/311
2011/0126718 A1* 6/2011 Meuer A47J 31/4485
99/323.1
2016/0051082 A1* 2/2016 Tonelli A47J 42/50
99/289 R
2017/0280921 A1* 10/2017 Jung A47J 31/407

(**) Term: **15 Years**
(21) Appl. No.: **35/514,066**
(22) Filed: **Nov. 18, 2021**

FOREIGN PATENT DOCUMENTS

CN 306260139 * 1/2021
CN 306683096 * 7/2021
WO WO-D095956-001 * 11/2019

(80) **Hague Agreement Data**

Int. Filing Date: **Nov. 18, 2021**
Int. Reg. No.: **DM/220039**
Int. Reg. Date: **Nov. 18, 2021**
Int. Reg. Pub. Date: **Apr. 15, 2022**

OTHER PUBLICATIONS

Caffitaly_Suli, Facebook post, Oct. 24, 2020, Facebook, www.facebook.com/CaffitalySuli/photos/pcb.2684240085150195/2684240011816869/ (Year: 2020).*
Prouds—Fiji, Facebook post, Jun. 8, 2021, Facebook, www.facebook.com/ProudsFiji/photos/pcb.10161060587134689/10161060586924689/ (Year: 2021).*

(51) **LOC (14) Cl.** **07-02**

(52) **U.S. Cl.**
USPC **D7/307; D7/309; D7/310; D7/311; D7/313**

* cited by examiner

Primary Examiner — Joseph Kukella
Assistant Examiner — Arva P Adams

(58) **Field of Classification Search**
USPC D7/300, 306–313, 315, 397–399; D23/207, 209
CPC A47J 31/40; A47J 31/42; A47J 31/4403; A47J 31/4407; A47J 31/4485; A47J 31/4489; A47J 42/52

See application file for complete search history.

(57) **CLAIM**

The ornamental design for a coffee machine, as shown and described.

(56) **References Cited**

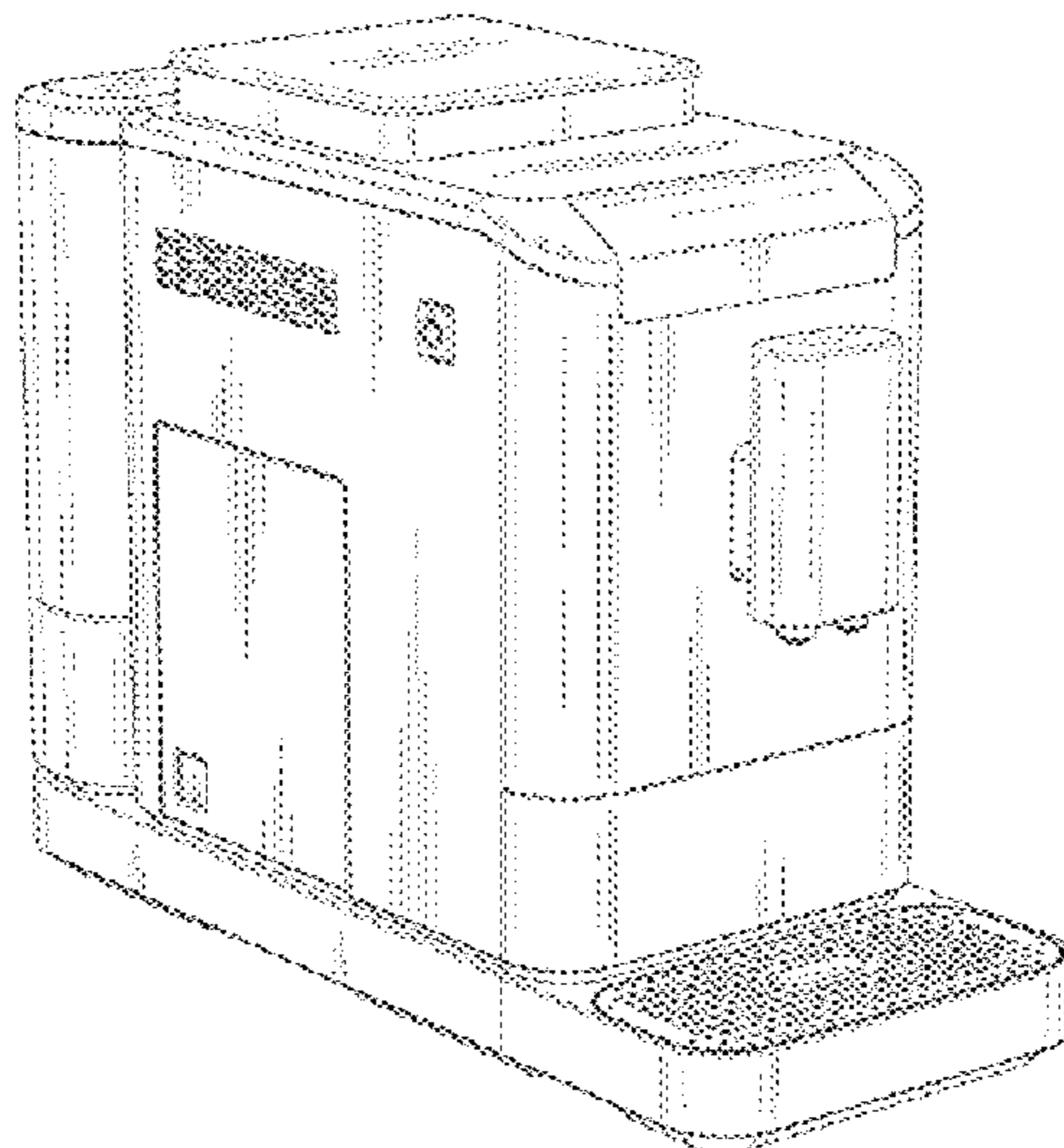
U.S. PATENT DOCUMENTS

D595,991 S * 7/2009 Zimmerman D7/307
D642,415 S * 8/2011 Novelli D7/311
D645,289 S * 9/2011 Lenzi D7/311
D675,860 S * 2/2013 Tonelli D7/311
D719,390 S * 12/2014 De Pra D7/311
D728,295 S * 5/2015 De'Longhi D7/311
D823,037 S * 7/2018 Gebhardt D7/311
D839,652 S * 2/2019 De' Longhi A47J 31/4485
D7/311

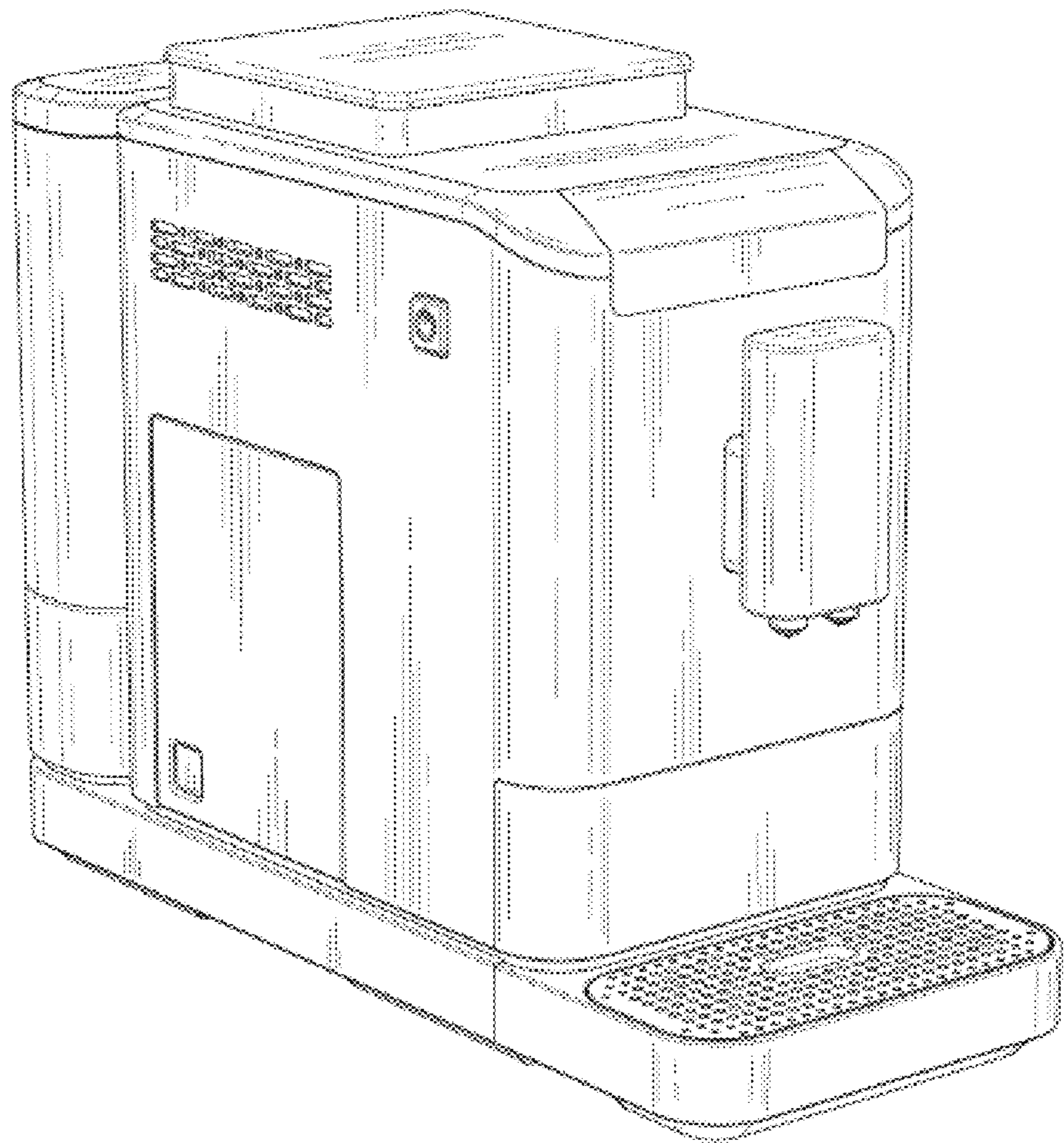
DESCRIPTION

- 1. Coffee machine
- 1.1 : Perspective
- 1.2 : Front
- 1.3 : Left
- 1.4 : Right
- 1.5 : Back
- 1.6 : Top
- 1.7 : Bottom

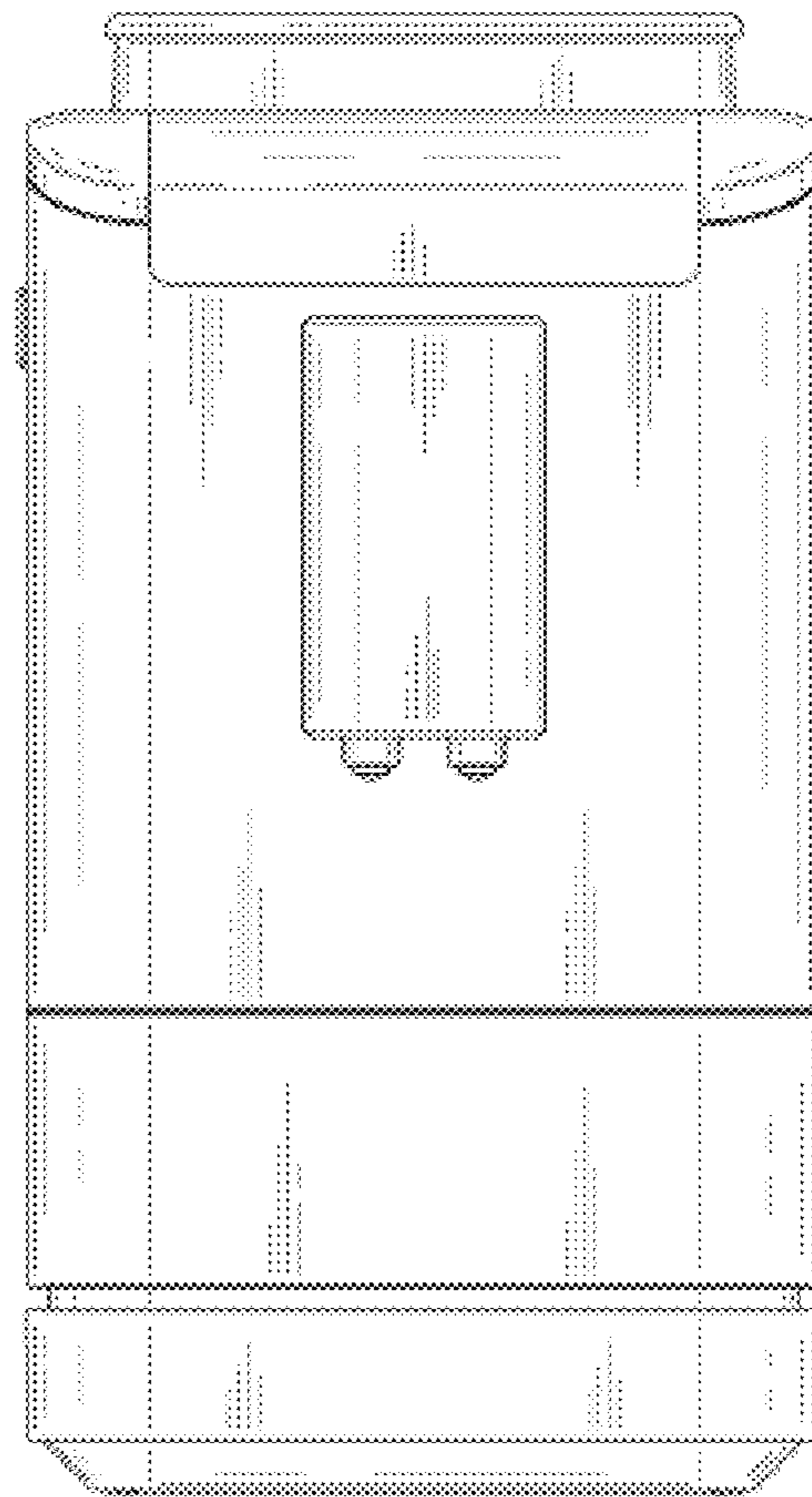
1 Claim, 7 Drawing Sheets



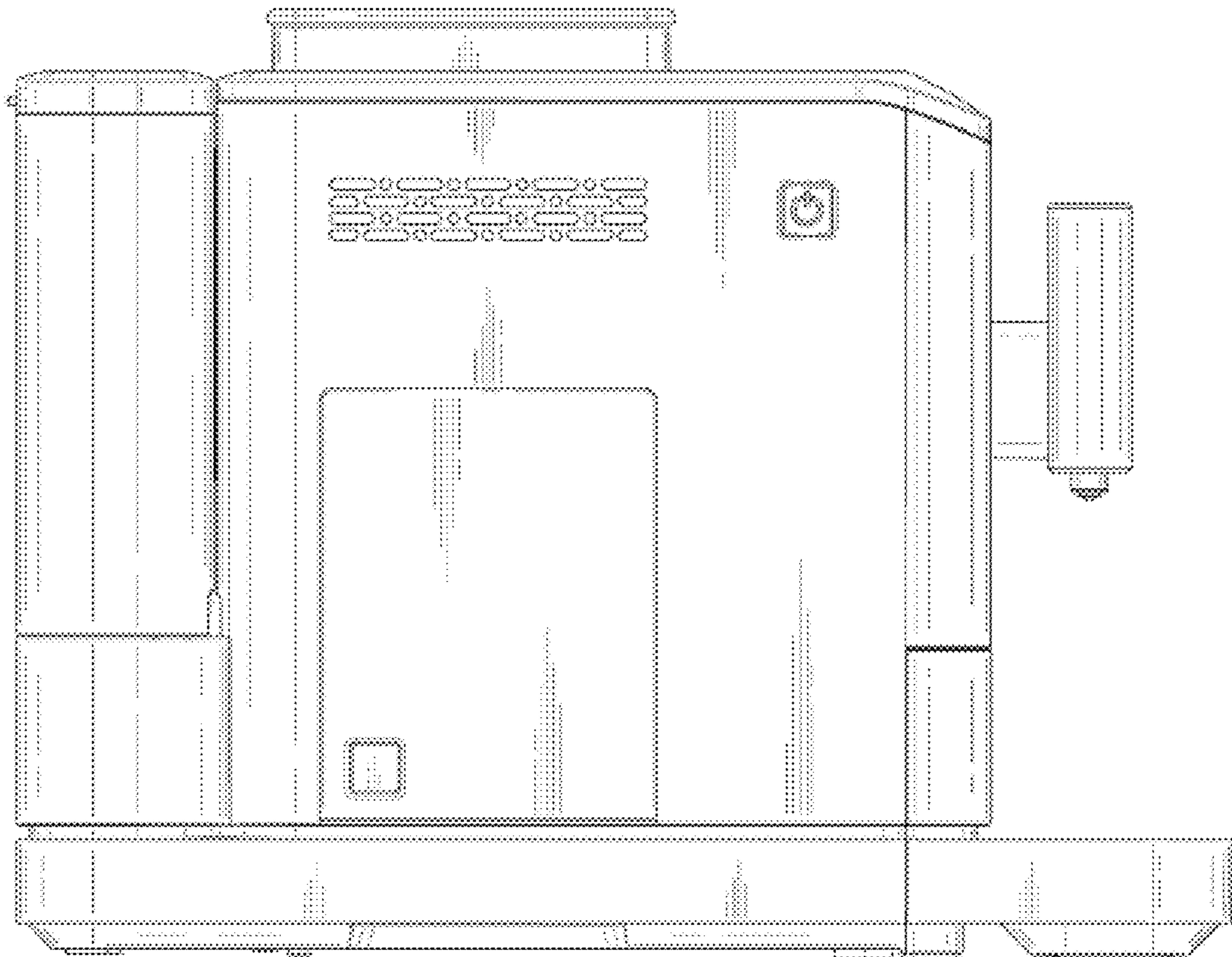
1.1



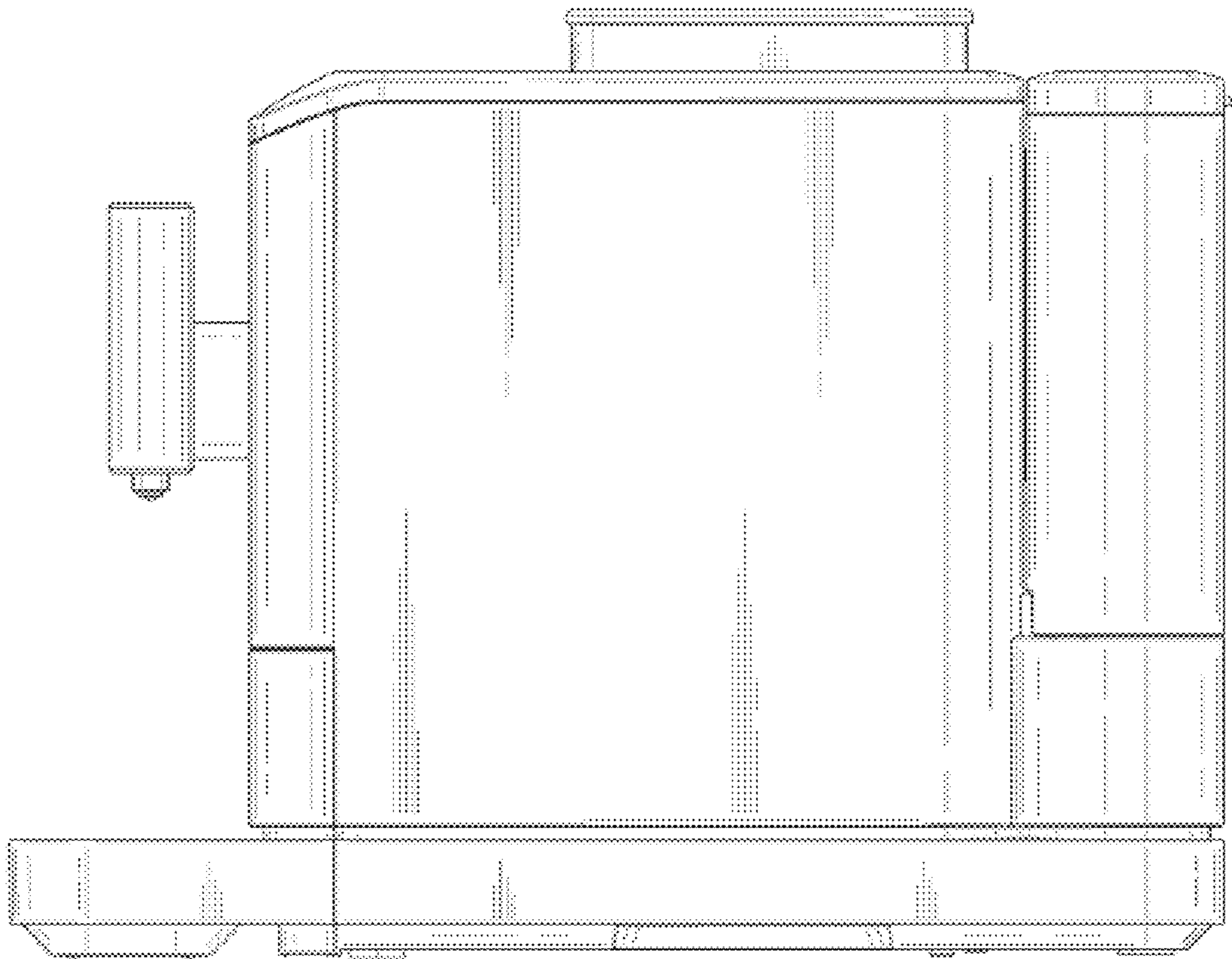
1.2



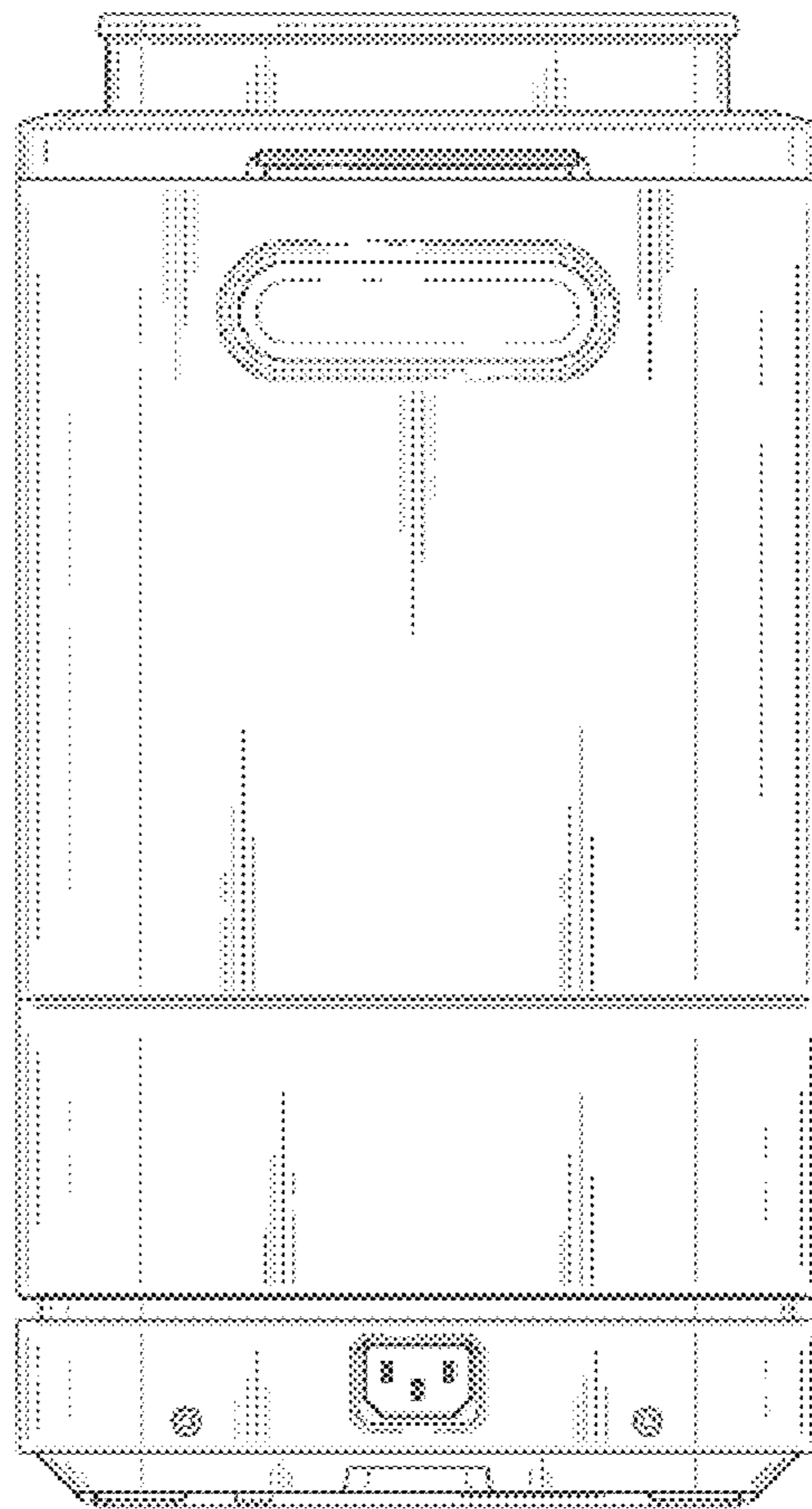
1.3



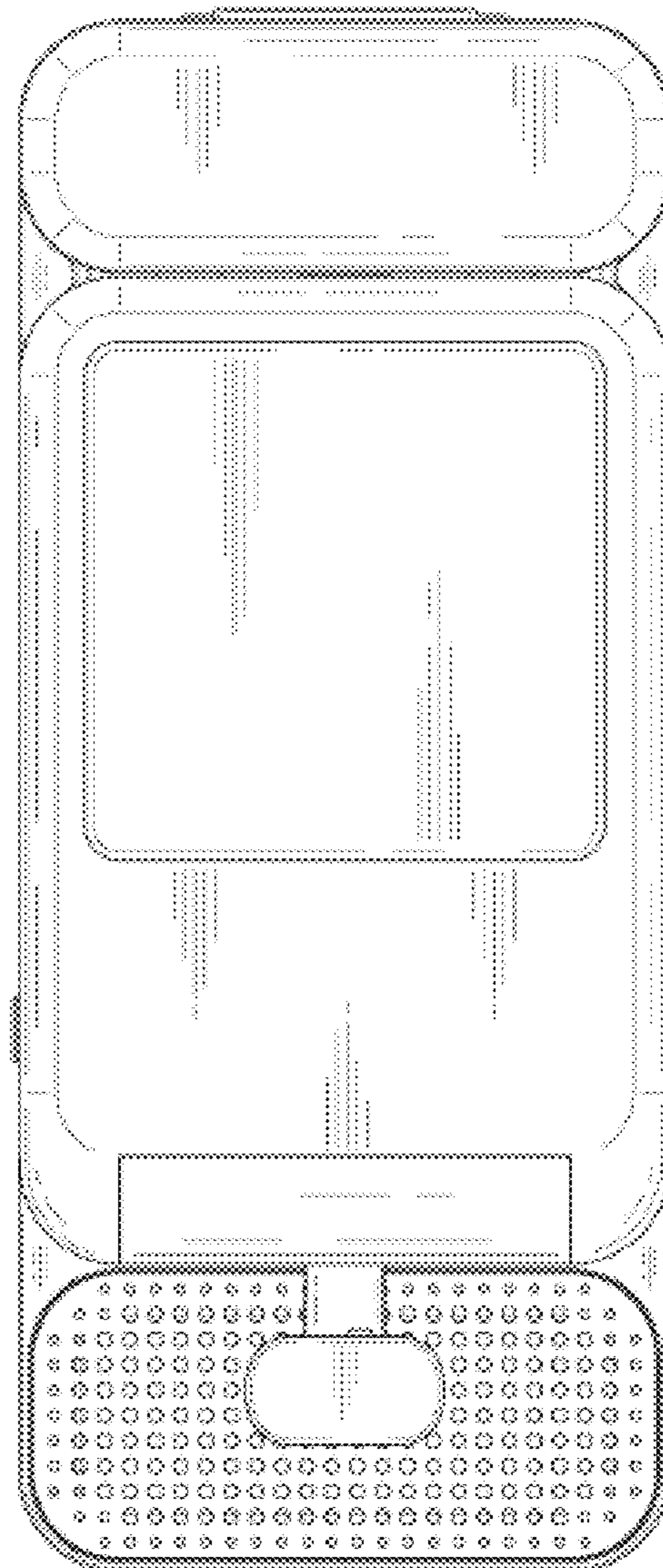
1.4



1.5



1.6



1.7

