



US00D984189S

(12) **United States Design Patent**  
**Cometti**

(10) **Patent No.:** **US D984,189 S**

(45) **Date of Patent:** **\*\* Apr. 25, 2023**

(54) **COFFEE MACHINE**

(71) Applicant: **Gruppo Cimbali S.p.A.**, Binasco (IT)

(72) Inventor: **Valerio Cometti**, S. Donà di Piave (IT)

(73) Assignee: **Gruppo Cimbali S.p.A.**, Binasco Mi (IT)

(\*\*) Term: **15 Years**

(21) Appl. No.: **29/803,327**

(22) Filed: **Aug. 12, 2021**

(51) **LOC (14) Cl.** ..... **07-01**

(52) **U.S. Cl.**  
USPC ..... **D7/307**

(58) **Field of Classification Search**  
USPC ..... D7/300, 305, 306, 307, 308, 309, 310,  
D7/311, 312, 397, 398, 399  
CPC ..... A47G 19/12; A47G 19/14; A47G 19/16;  
A47J 31/02; A47J 31/043; A47J 31/057;  
A47J 31/053; A47J 31/0573; A47J 31/44;  
A47J 31/56; A47J 31/08; A47J 31/007;  
B65D 2581/3409

See application file for complete search history.

(56) **References Cited**

**U.S. PATENT DOCUMENTS**

D395,976 S *	7/1998	Seiffert	.....	D7/311
D414,371 S *	9/1999	Seiffert	.....	D7/311
D523,279 S *	6/2006	Zemp	.....	D7/309
D553,416 S *	10/2007	Lin	.....	D7/311
D584,096 S *	1/2009	Lutz	.....	D7/307
D587,511 S *	3/2009	Buttler	.....	D7/311
D595,991 S *	7/2009	Zimmerman	.....	D7/307
D598,693 S *	8/2009	Kindler	.....	D7/311
D601,848 S *	10/2009	Borin	.....	D7/307
D622,534 S *	8/2010	Zimmermann	.....	D7/307
D638,650 S *	5/2011	Galeazzi	.....	D7/311

D645,289 S *	9/2011	Lenzi	.....	D7/311
D646,109 S *	10/2011	Zoppellari	.....	D7/311
D665,218 S *	8/2012	Iseli	.....	D7/311
D675,860 S *	2/2013	Tonelli	.....	D7/311
D719,392 S *	12/2014	De Pra	.....	D7/311
D719,393 S *	12/2014	De Pra	.....	D7/311
D737,091 S *	8/2015	Gebhardt	.....	D7/311
D738,668 S *	9/2015	Buttler	.....	D7/311
D742,159 S *	11/2015	Doria	.....	D7/311
D772,633 S *	11/2016	Kuboi	.....	D7/307
D772,634 S *	11/2016	Kuboi	.....	D7/307
D821,132 S *	6/2018	Cometti	.....	D7/311
D822,421 S *	7/2018	De Pra'	.....	D7/309
D823,037 S *	7/2018	Gebhardt	.....	D7/311
D823,627 S *	7/2018	Gebhardt	.....	D7/311
D835,446 S *	12/2018	Cometti	.....	D7/311
D840,735 S *	2/2019	Dutruel	.....	D7/311

(Continued)

*Primary Examiner* — Joseph Kukella

*Assistant Examiner* — Darryl J Dardenne

(74) *Attorney, Agent, or Firm* — Mark E. Bandy; Rankin Hill & Clark, LLP

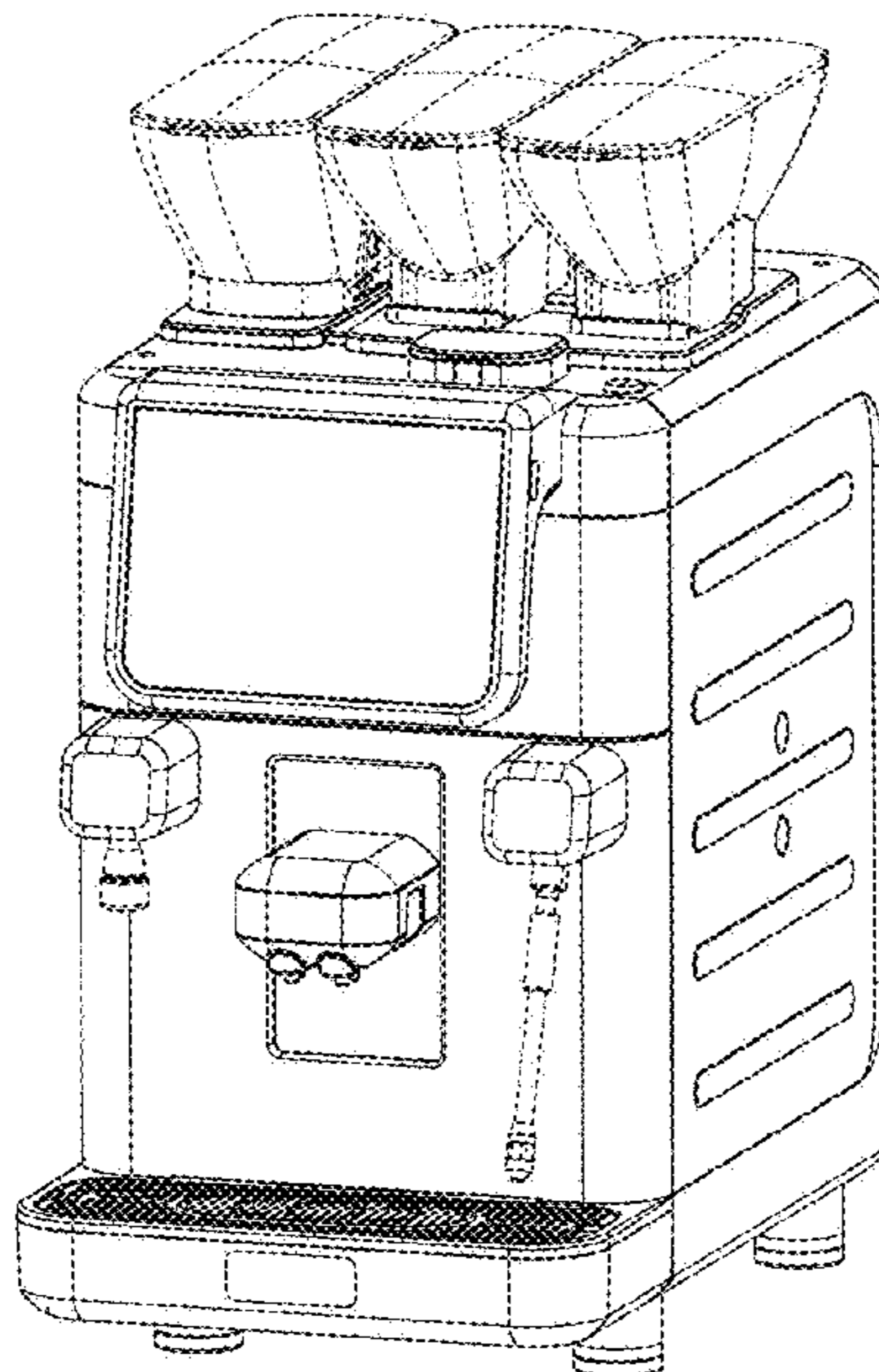
(57) **CLAIM**

The ornamental design for a coffee machine, as shown and described.

**DESCRIPTION**

FIG. 1 is a rear view of a coffee machine.  
FIG. 2 is a bottom view of the coffee machine of FIG. 1.  
FIG. 3 is a right side view of the coffee machine of FIG. 1.  
FIG. 4 is a front view of the coffee machine of FIG. 1.  
FIG. 5 is a left side view of the coffee machine of FIG. 1.  
FIG. 6 is a front right perspective view of the coffee machine of FIG. 1; and,  
FIG. 7 is a top view of the coffee machine of FIG. 1.  
The broken lines are directed to environment and are for illustrative purposes only; the broken lines form no part of the claimed design.

**1 Claim, 7 Drawing Sheets**



(56)

**References Cited**

U.S. PATENT DOCUMENTS

D890,561 S *	7/2020	Cecchetto .....	D7/311
D891,846 S *	8/2020	Bignu .....	D7/311
D892,530 S *	8/2020	Bignu .....	D7/311
D940,491 S *	1/2022	Baur .....	D7/311
D957,856 S *	7/2022	De Pra' .....	D7/309
D962,693 S *	9/2022	Cometti .....	D7/309

\* cited by examiner

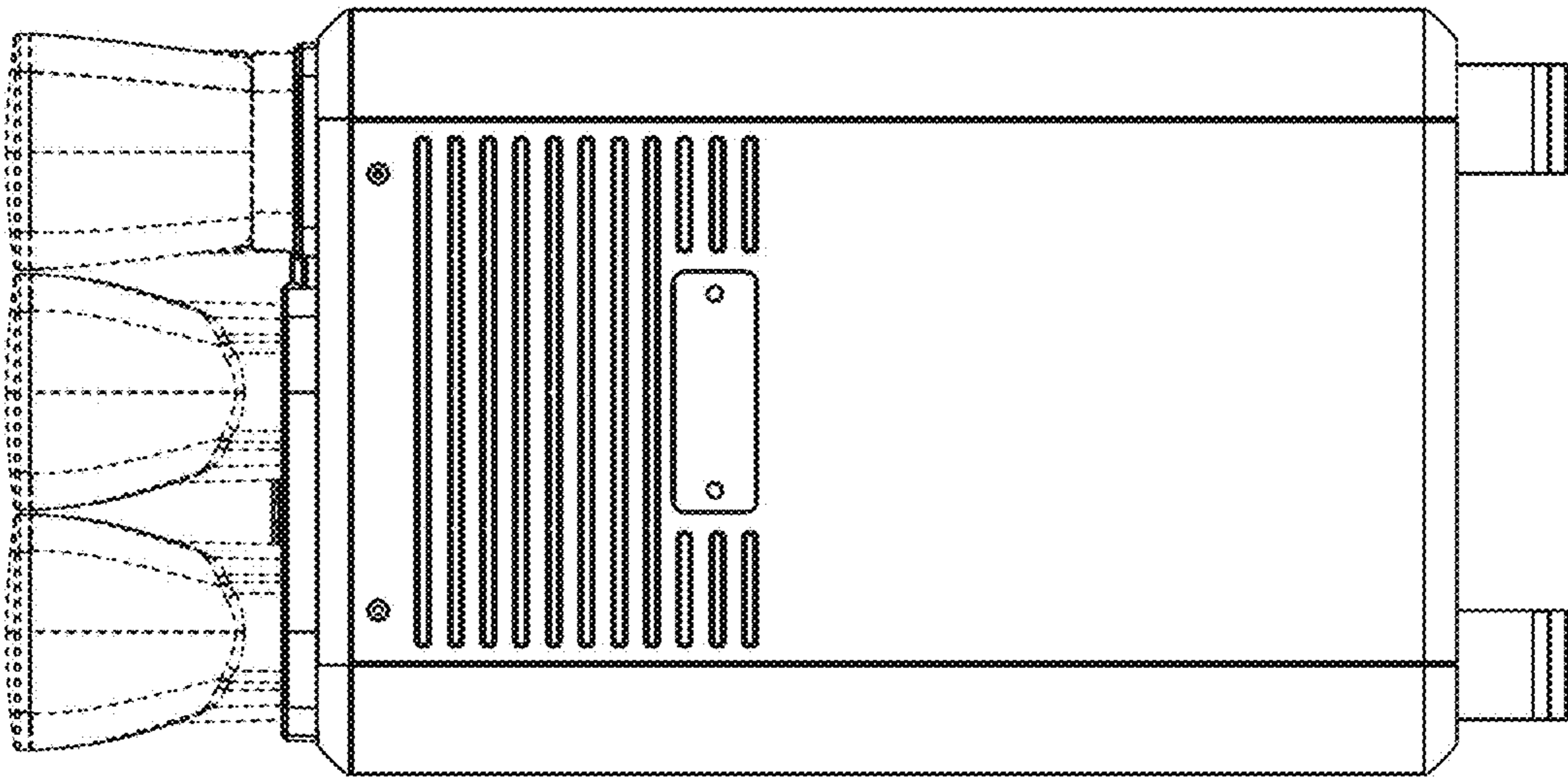


FIG. 1

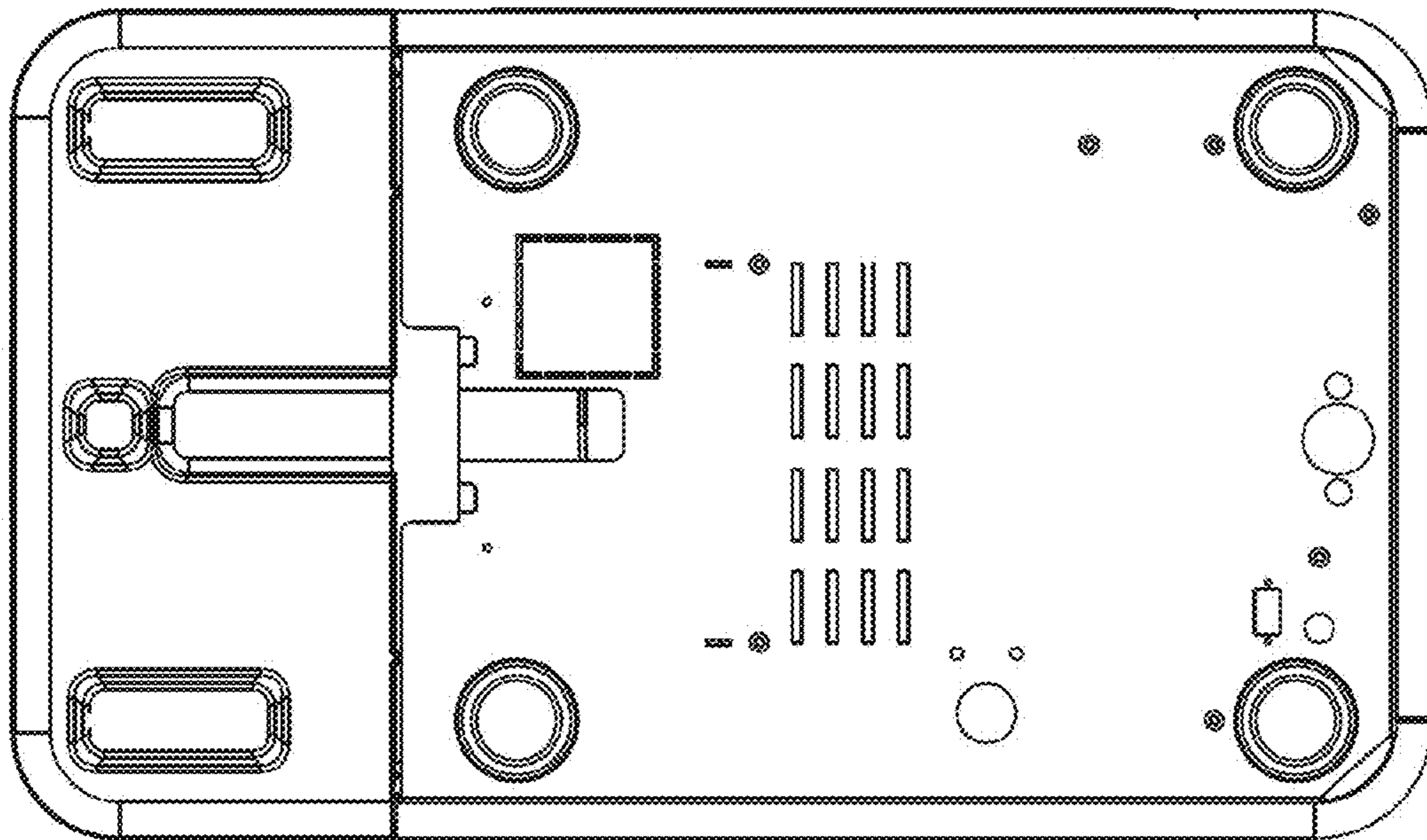


FIG. 2

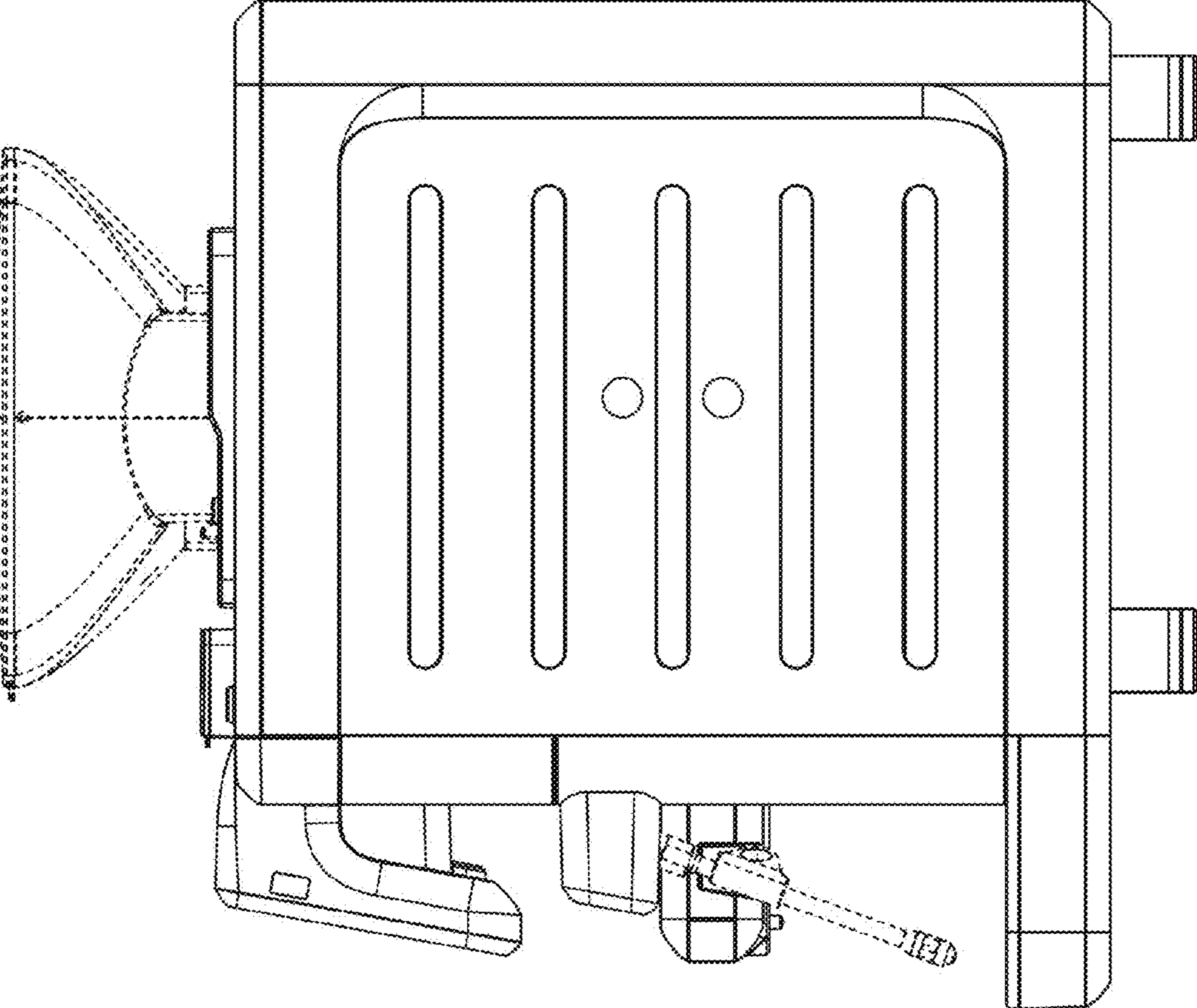


FIG. 3

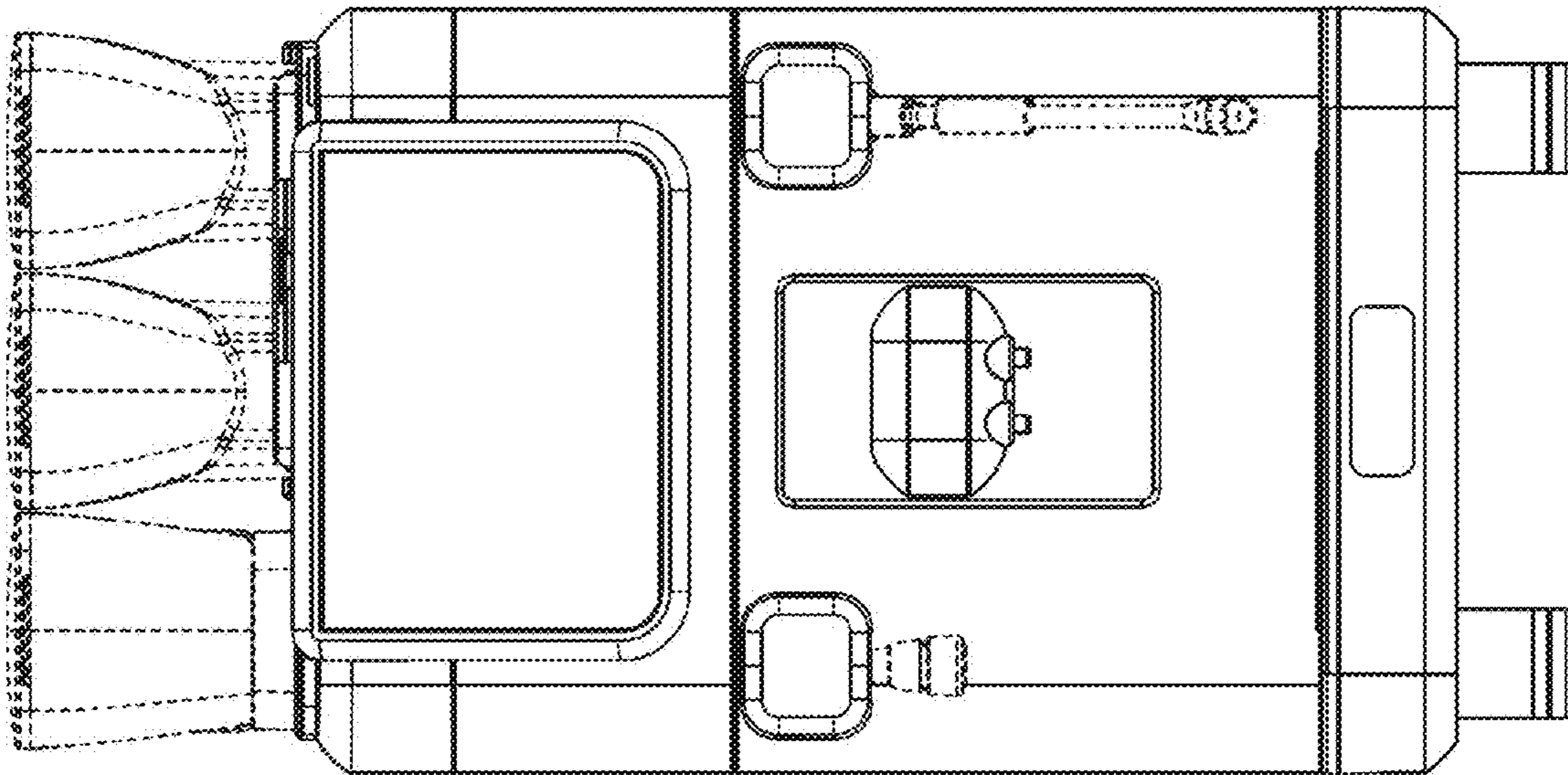


FIG. 4

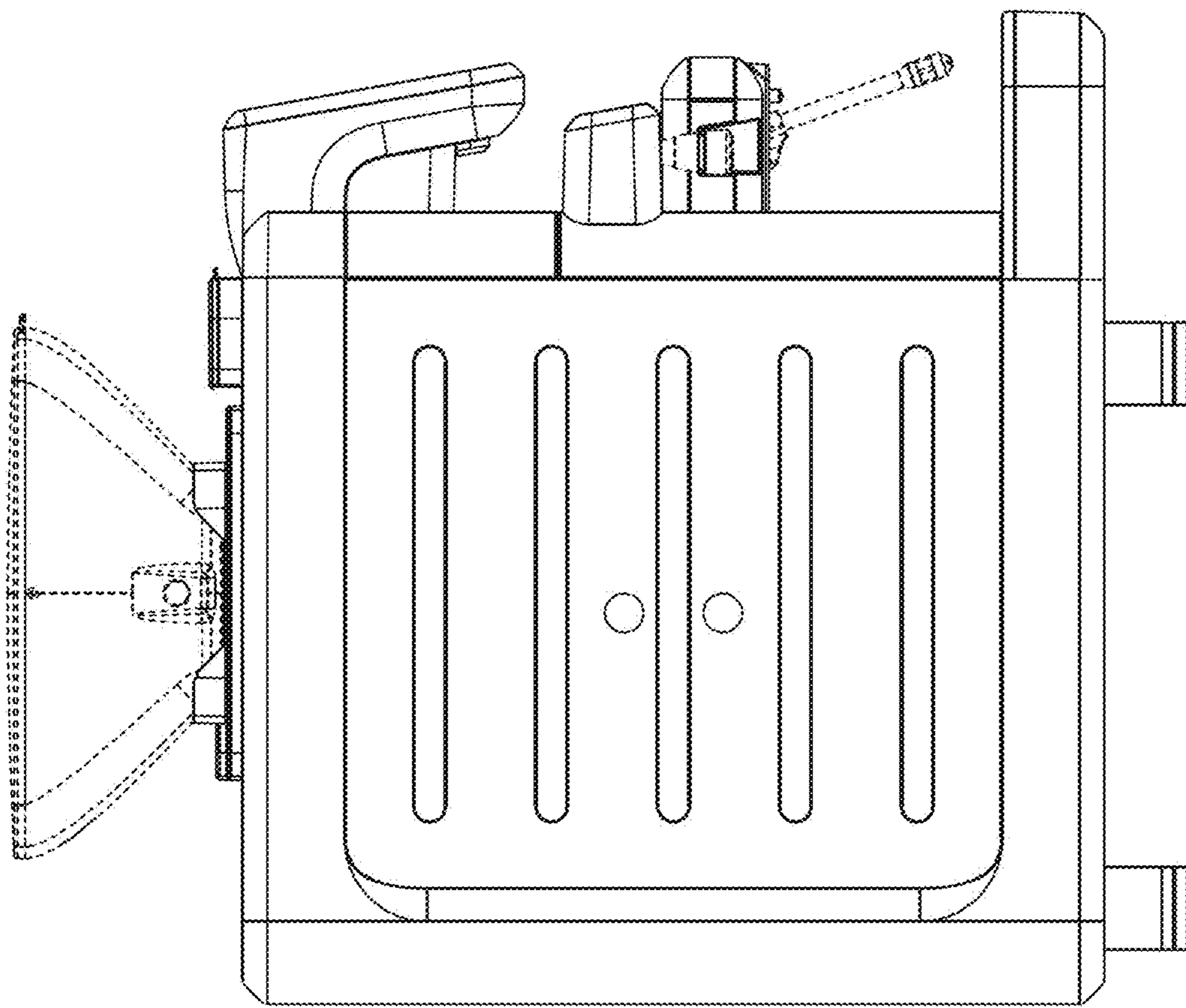


FIG. 5

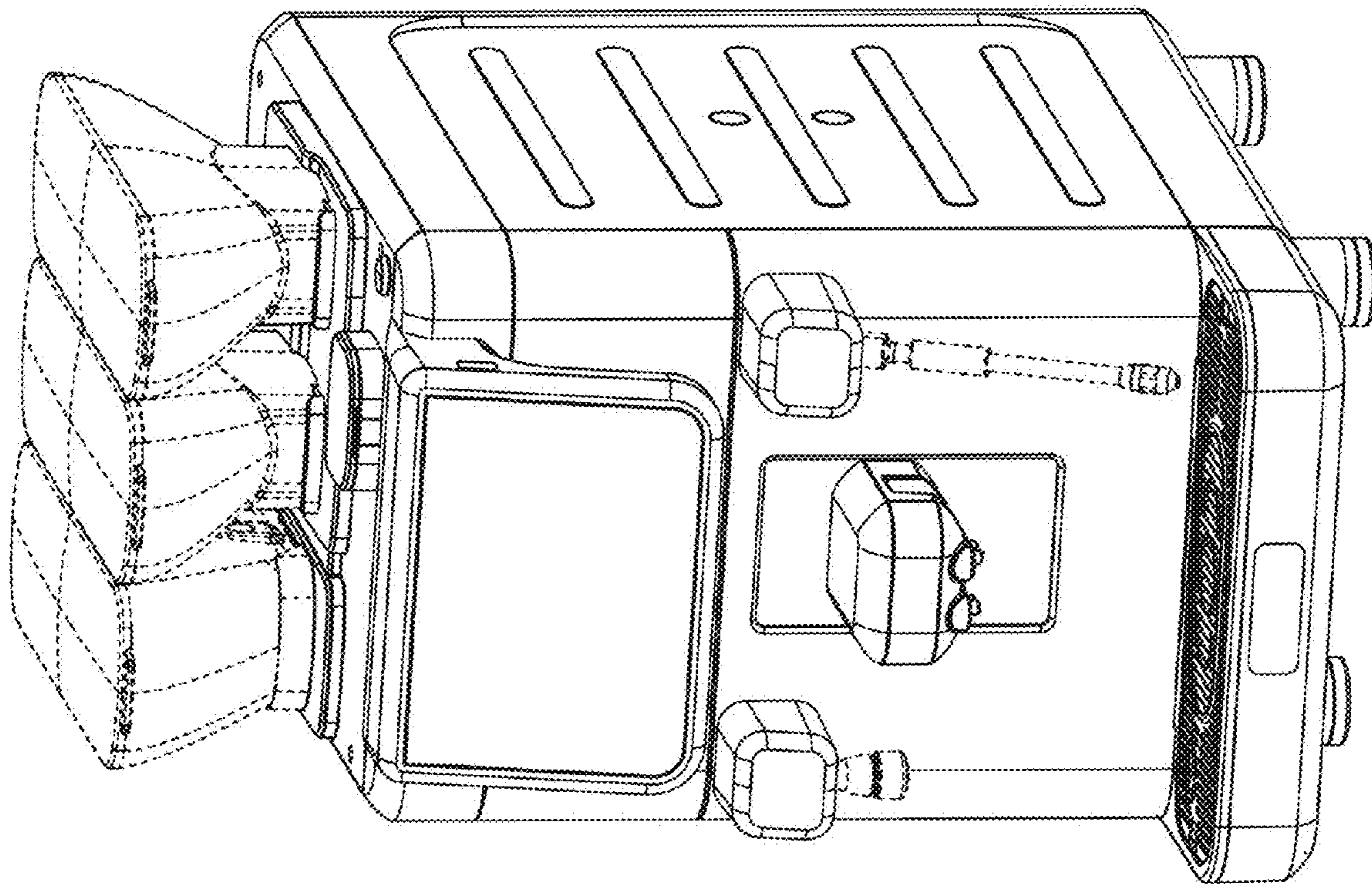


FIG. 6



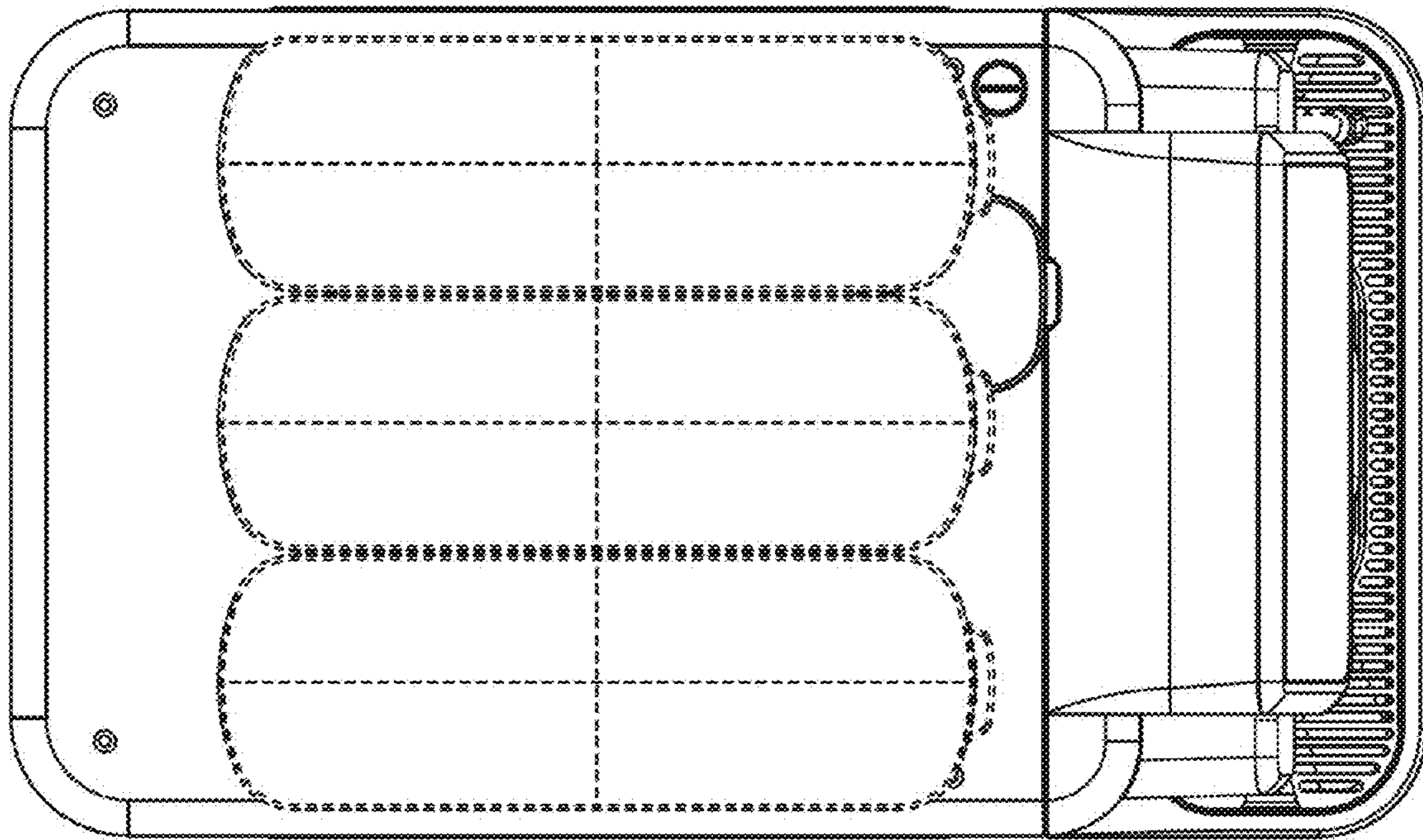


FIG. 7