



US00D984188S

(12) **United States Design Patent** (10) **Patent No.:** **US D984,188 S**
Melkonian (45) **Date of Patent:** **** Apr. 25, 2023**

(54) **DISPENSER**

(71) Applicant: **Brio Water Technology, Inc.**, City of Industry, CA (US)

(72) Inventor: **Arman Melkonian**, Granada Hills, CA (US)

(**) Term: **15 Years**

(21) Appl. No.: **29/776,544**

(22) Filed: **Mar. 31, 2021**

(51) **LOC (14) Cl.** **20-01**

(52) **U.S. Cl.**

USPC **D7/307**; D7/311; D7/313; D7/315

(58) **Field of Classification Search**

USPC D7/300, 305-313, 397-399, 665; D15/82; D23/207

CPC A47J 19/00; A47J 19/02; A47J 19/023;

A47J 19/027; A47J 19/06; A47J 31/005;

A47J 31/057; A47J 31/0576; A47J

31/0657; A47J 31/0668; A47J 31/24;

A47J 31/3633; A47J 31/40; A47J 31/44;

A47J 31/4403; A47J 31/4485; A47J

31/46; A47J 31/457; A47J 31/50; B67D

1/0009; B67D 1/0022; B67D 1/0023;

B67D 1/0024; B67D 1/0041; B67D

1/0085; B67D 1/0089; B67D 1/0894;

B67D 1/0888; B67D 1/075; B67D 1/16;

B67D 3/00; B67D 3/0022; B67D 3/0038;

B67D 2001/075; B67D 2001/0091; C02F

1/003; C02F 2209/445; C12G 3/06

See application file for complete search history.

(56) **References Cited**

U.S. PATENT DOCUMENTS

D310,612 S 9/1990 Desrosiers
D322,534 S 12/1991 Chaney
D394,185 S * 5/1998 Eddy D7/307
D399,088 S 10/1998 Chaney

D580,207 S 11/2008 Moon et al.
D608,130 S * 1/2010 Moon D7/306
D623,885 S 9/2010 Wang
D635,812 S 4/2011 Wang
D642,849 S 8/2011 Wang
D643,239 S * 8/2011 Wang D7/306
D643,666 S * 8/2011 Yui D7/307

(Continued)

FOREIGN PATENT DOCUMENTS

CN 304133373 * 5/2017
CN 304295125 * 9/2017

(Continued)

OTHER PUBLICATIONS

Newair, "Top Loading vs. Bottom Loading vs. Point of Use Water Dispensers," Mar. 4, 2016, Newair, www.newair.com/blogs/learn/top-loading-bottom-loading-point-of-use-water-dispensers (Year: 2016).*

(Continued)

Primary Examiner — Joseph Kukella

Assistant Examiner — Arva P Adams

(57) **CLAIM**

The ornamental design for a dispenser, as shown and described.

DESCRIPTION

FIG. 1 is a top perspective view, showing my new design;

FIG. 2 is a bottom perspective view thereof;

FIG. 3 is a front elevation view thereof;

FIG. 4 is a rear elevation view thereof;

FIG. 5 is a left side elevation view thereof;

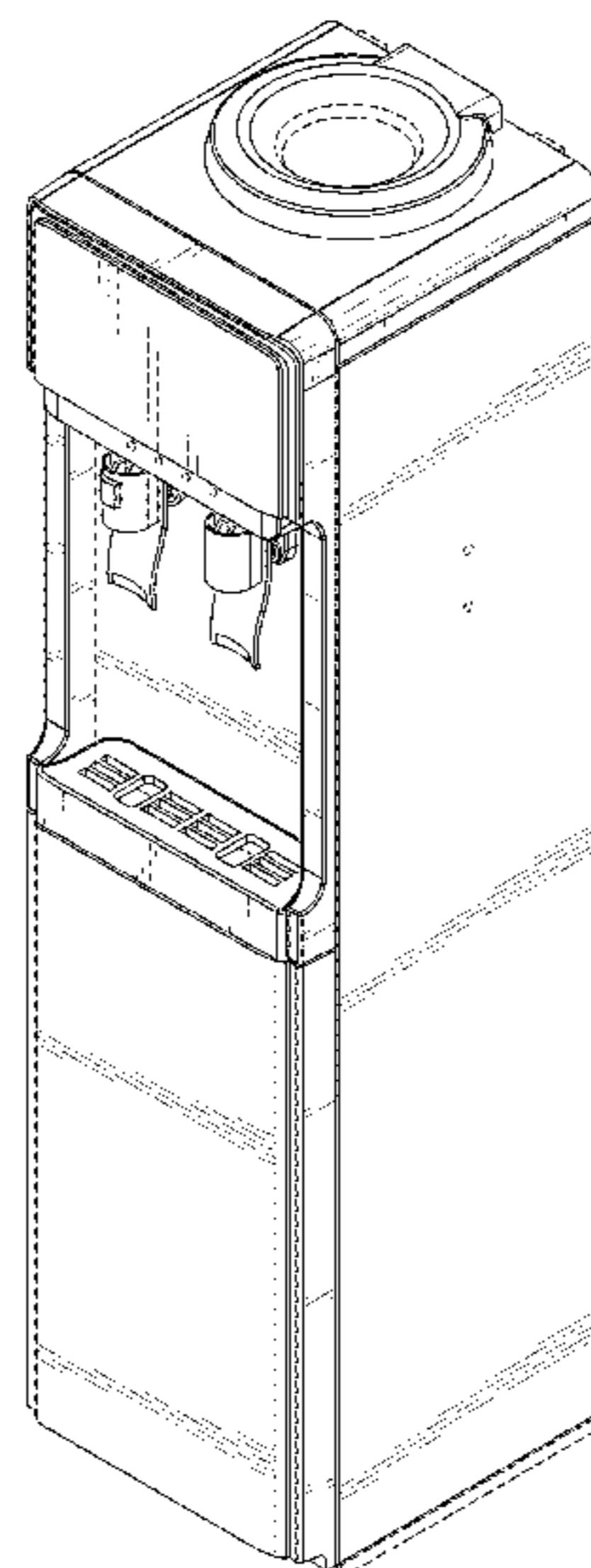
FIG. 6 is a right-side view thereof;

FIG. 7 is a top plan view thereof; and,

FIG. 8 is a bottom plan view thereof.

The broken lines show portions of the dispenser that form no part of the claimed design.

1 Claim, 8 Drawing Sheets



(56)

References Cited

U.S. PATENT DOCUMENTS

D643,667 S * 8/2011 Yui D7/307
 D643,668 S * 8/2011 Yui D7/307
 D644,712 S 9/2011 Seo et al.
 D647,354 S * 10/2011 Wang D7/306
 D660,636 S 5/2012 Wang
 D663,154 S 7/2012 Wang
 D700,794 S * 3/2014 Yui D7/305
 D700,795 S * 3/2014 Yui D7/305
 D702,985 S 4/2014 DeMaria
 8,727,183 B2 5/2014 Stewart-Barnett
 D714,580 S * 10/2014 Moon D7/307
 D717,911 S * 11/2014 Moon D23/207
 D787,250 S 5/2017 Walton et al.
 D787,874 S 5/2017 Seum et al.
 D805,601 S * 12/2017 Roh D23/207
 D813,346 S * 3/2018 Lee D23/207
 D825,243 S * 8/2018 Yoon D7/308
 D828,709 S * 9/2018 Wang D7/307
 D832,021 S * 10/2018 Yoon D7/313
 D876,147 S * 2/2020 Rubin D7/308
 D878,134 S * 3/2020 Rubin D7/313
 D882,037 S * 4/2020 Roh D23/207
 D882,337 S * 4/2020 Moon D7/397
 D884,407 S * 5/2020 Tan D7/313
 D913,412 S * 3/2021 Lee D23/207
 D926,285 S * 7/2021 Park B67D 1/1466
 D932,225 S * 10/2021 Gates D7/306
 2003/0071068 A1 * 4/2003 Burrows B67D 3/0029
 2017/0057802 A1 * 3/2017 Lee B67D 1/1466

FOREIGN PATENT DOCUMENTS

CN 305067990 3/2019
 CN 305358746 9/2019

CN 305738058 4/2020
 CN 305796243 5/2020
 CN 305975919 * 8/2020
 CN 306074111 9/2020
 CN 306088128 10/2020
 CN 306152388 * 11/2020
 CN 306305211 * 1/2021
 CN 306394987 * 3/2021
 CN 306394990 * 3/2021
 KR 300920859.0000 * 8/2017

OTHER PUBLICATIONS

Water Smart, "Hot Cold Water Dispenser," Dec. 13, 2019, Medium, <https://dianewatersmart.medium.com/hot-cold-water-dispenser-6ba149339611> (Year: 2019).*

Amazon.com, "Avalong A6SC-BLK Self Cleaning Touchless Bottom Loading Water Cooler Dispenser," Nov. 19, 2019, Amazon.com, www.amazon.com/Avalon-Cleaning-Bottom-Loading-Dispenser/dp/B081QX22PN (Year: 2019).*

Jiwan Electronics, "Bluemount's New Range of Comfort Series of Water Dispensers," Apr. 27, 2019, Facebook, www.facebook.com/jiwanelectronics/photos/610136596117067 (Year: 2019).*

BestAdvisor.com, "Best Water Coolers: Honeywell Hot/Cold Water Dispenser," Dec. 1, 2020, BestAdvisor.com, www.bestadvisor.com/water-cooler (Year: 2020).*

Dtwusa, "Top-Load Water Dispenser Setup Manual: Model No. CTL320SL," Created May 29, 2020, Copyrighted 2020, Dtwusa, pp. 1, 4, 5, and 6. (Year: 2020).*

Harding, Jasmine, "The Best Water Coolers for Your Home or Office," Feb. 8, 2021, Bob Vila, www.bobvila.com/articles/best-water-cooler/ (Year: 2021).*

Home Depot, "300 Series Slimline Top Loading Water Cooler Water Dispenser," Accessed Nov. 2021, Home Depot, www.homedepot.com/p/Brio-300-Series-Slimline-Top-Loading-Water-Cooler-Water-Dispenser-Hot-and-Cold-Water-CLTL320SL/315198356 (Year: 2021).*

* cited by examiner

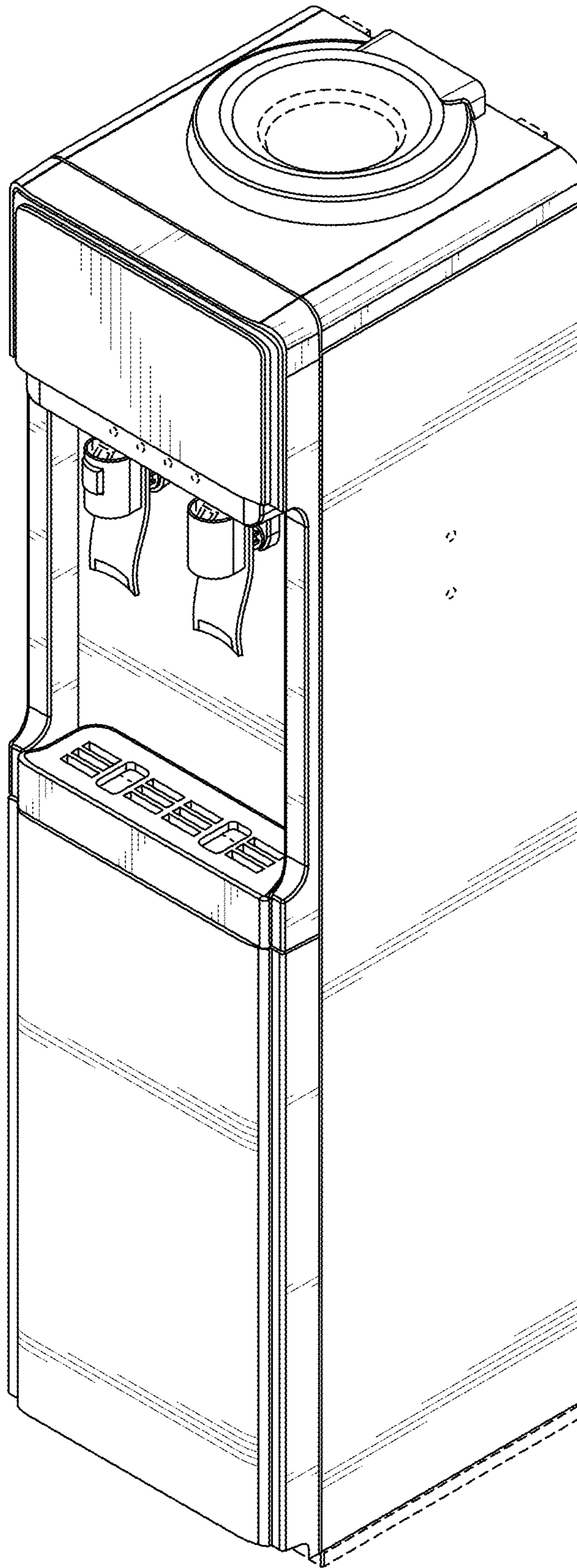


FIG. 1

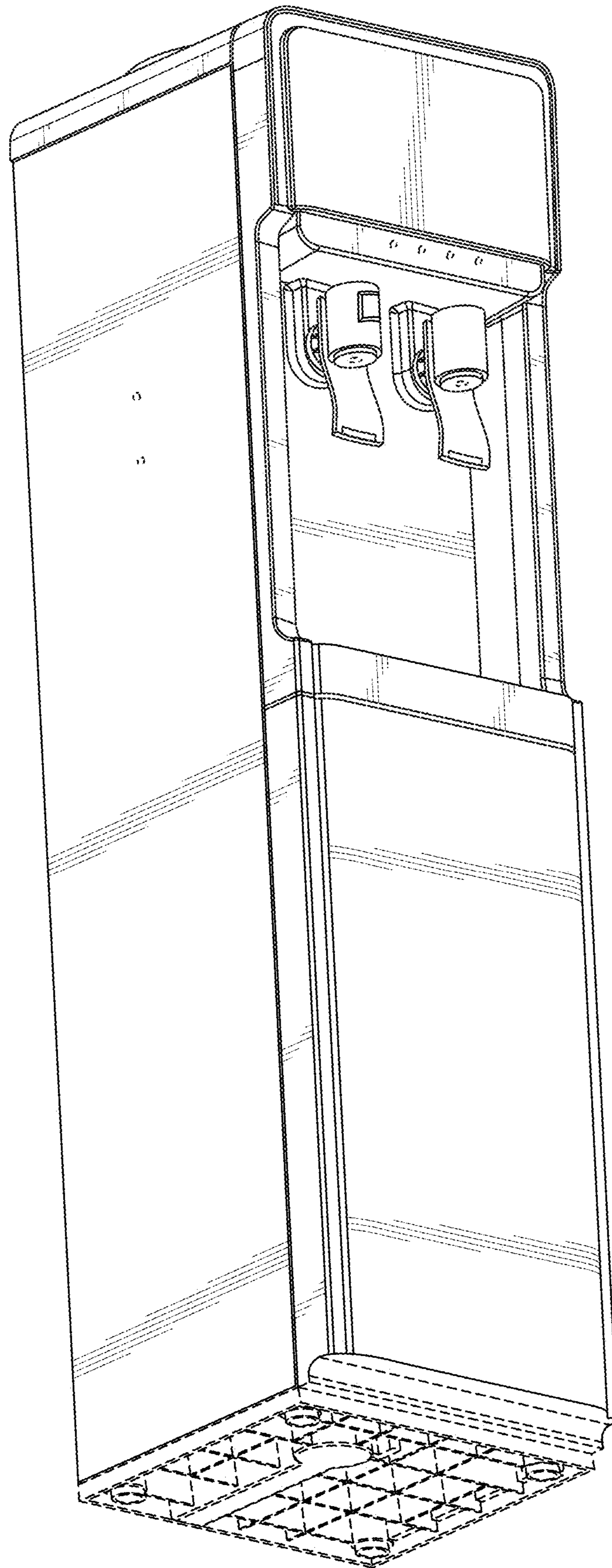


FIG. 2

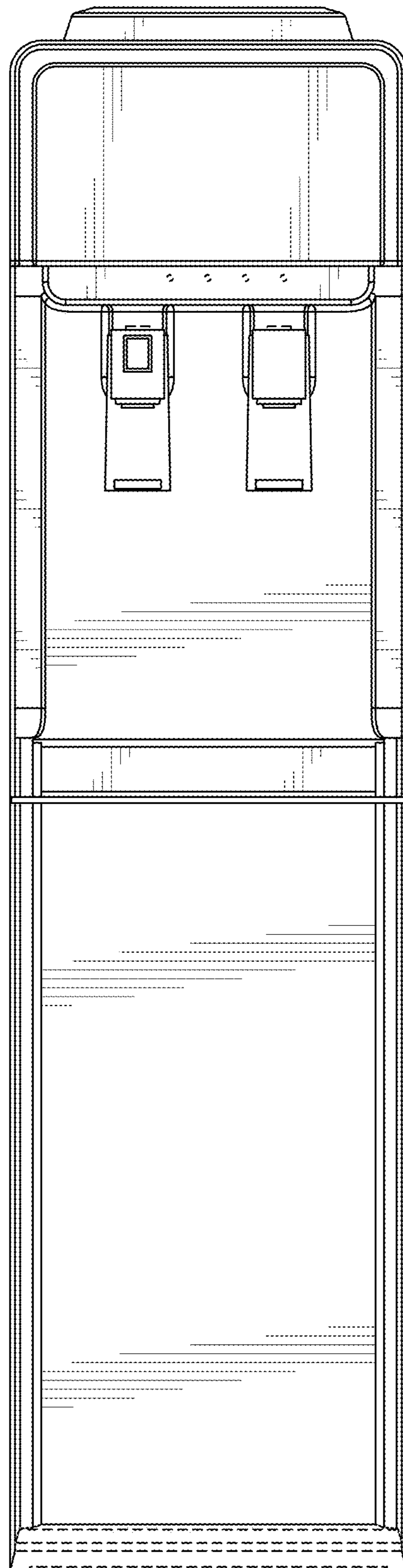


FIG. 3

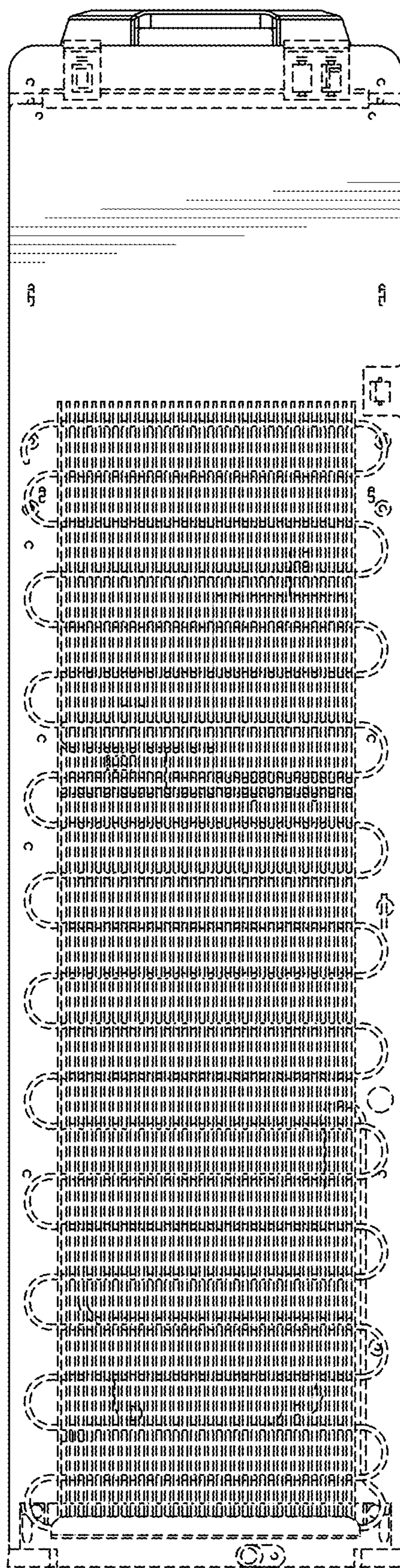


FIG. 4

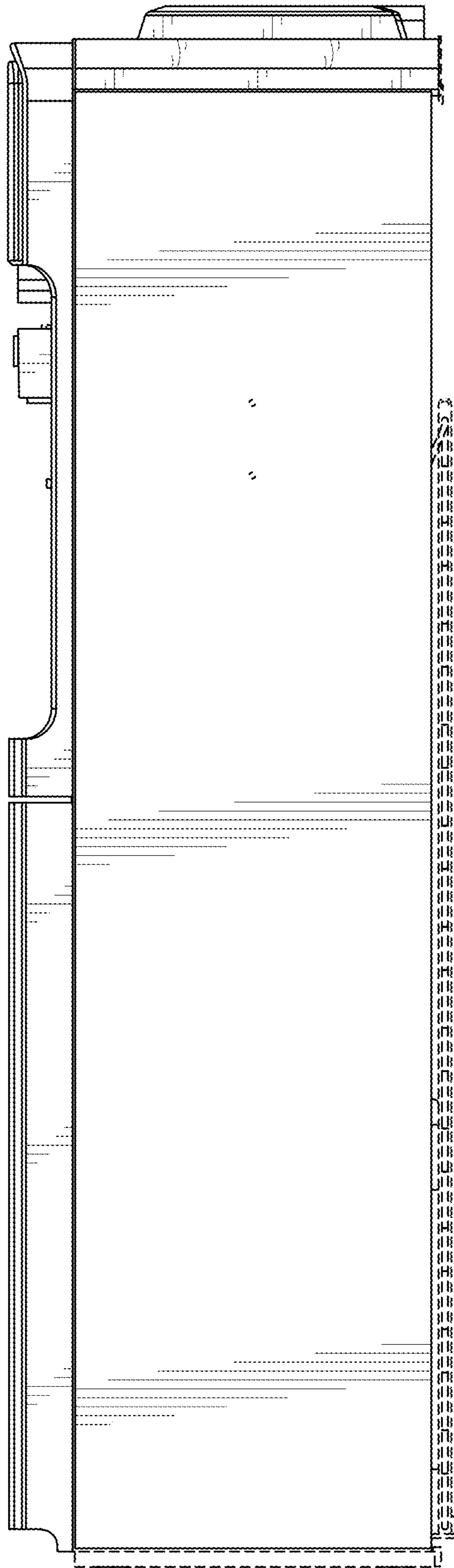


FIG. 5

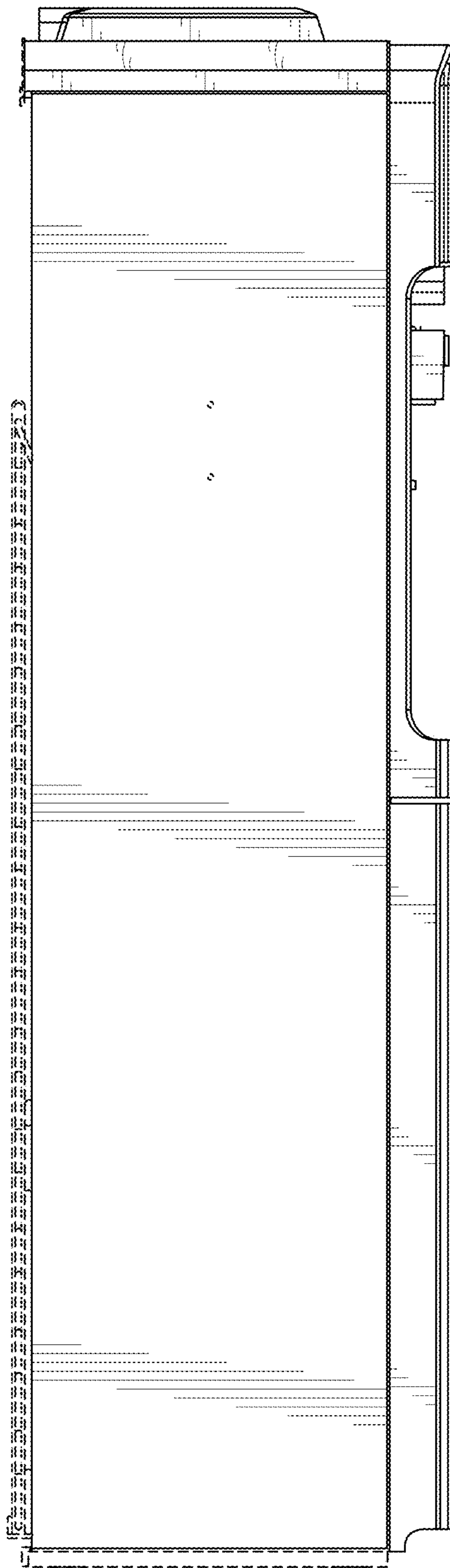


FIG. 6

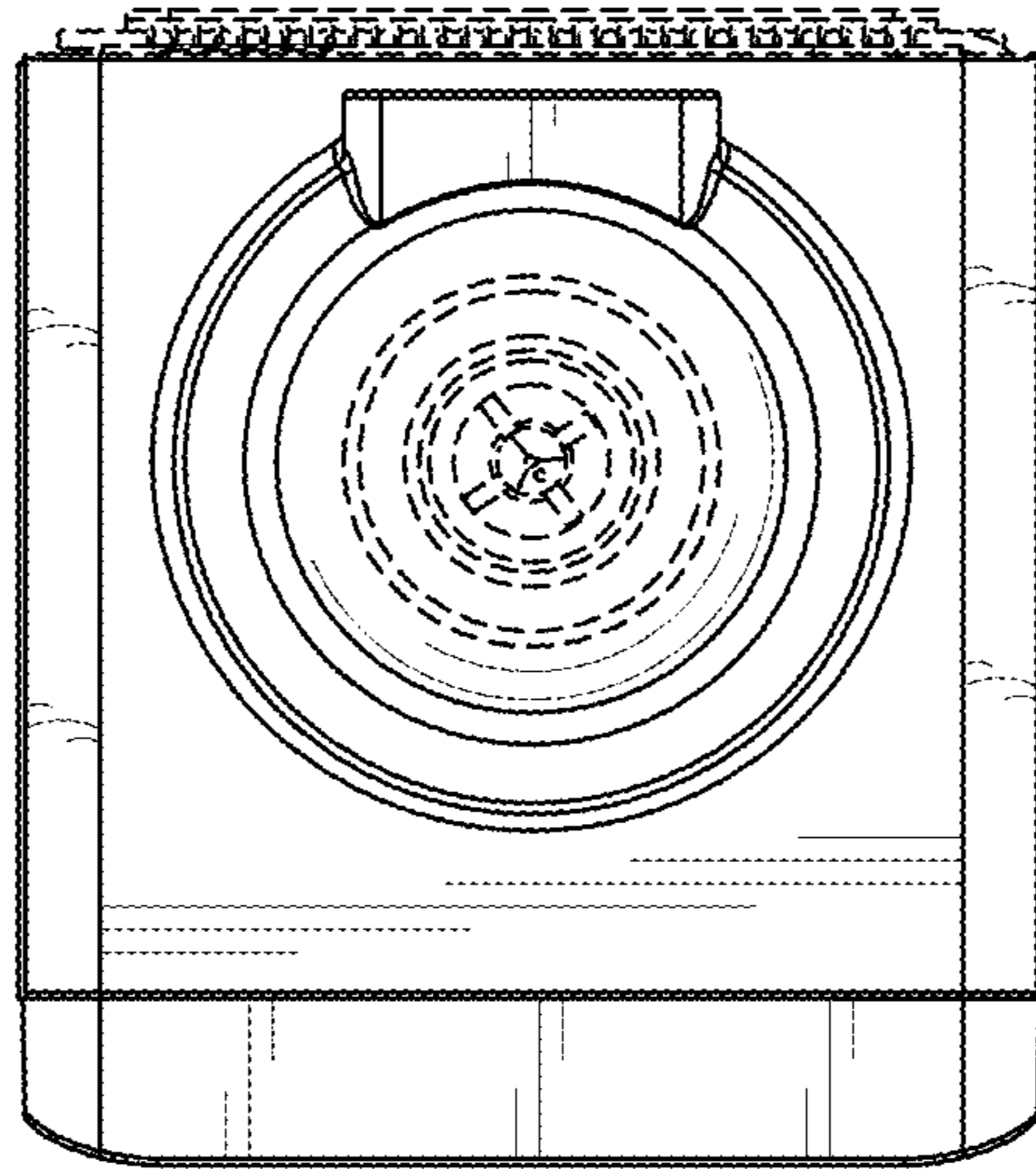


FIG. 7

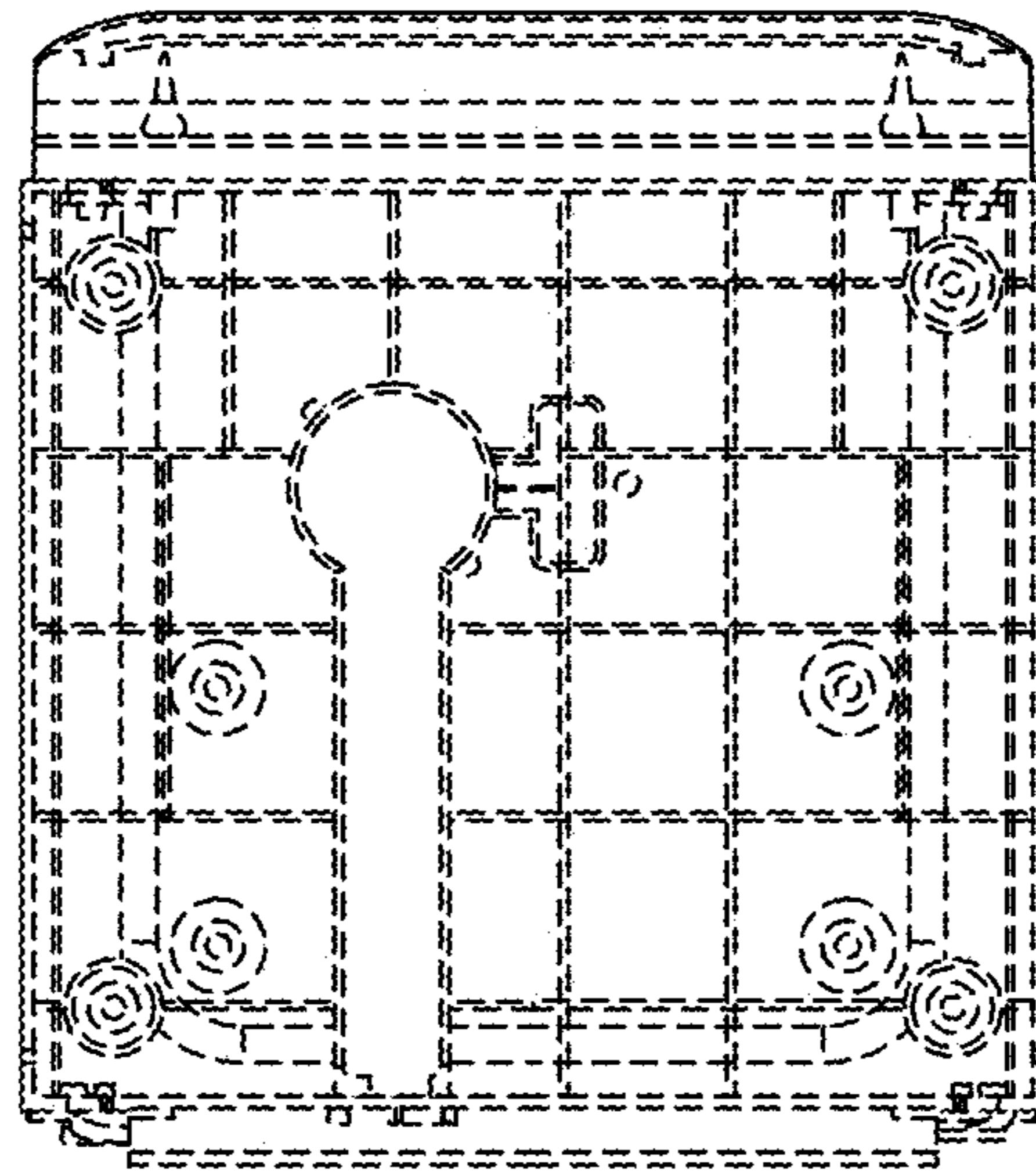


FIG. 8