



US00D984187S

(12) **United States Design Patent**
Ma

(10) **Patent No.:** **US D984,187 S**
(45) **Date of Patent:** **** Apr. 25, 2023**

(54) **HAMMOCK STAND**

6,931,679 B1 * 8/2005 Tseng A61K 31/513
5/127

(71) Applicant: **Xin Ma**, Ningbo (CN)

D625,933 S 10/2010 Grunewald
7,996,935 B1 * 8/2011 Chen A45F 3/24
5/120

(72) Inventor: **Xin Ma**, Ningbo (CN)

(Continued)

(**) Term: **15 Years**

FOREIGN PATENT DOCUMENTS

(21) Appl. No.: **29/843,349**

CH 690745 A5 * 1/2001 A45F 3/24
WO WO-2017194467 A1 * 11/2017 A45F 3/24

(22) Filed: **Jun. 21, 2022**

OTHER PUBLICATIONS

(30) **Foreign Application Priority Data**

Jun. 13, 2022 (CN) 202230358889.6

“Portable Hammock with Stand.” Found online Jan. 25, 2023 at
www.amazon.com. Product first available Apr. 24, 2019. Retrieved
from URL: <https://www.amazon.com/dp/B07R4TW1BJ> (Year: 2019).*

(51) **LOC (14) Cl.** **06-06**

(Continued)

(52) **U.S. Cl.**

USPC **D6/718.12**

(58) **Field of Classification Search**

USPC ... D6/386, 387, 388, 718.11, 718.12, 718.26

CPC A45F 3/24; A45F 3/22

See application file for complete search history.

Primary Examiner — Mary Ann Calabrese

Assistant Examiner — Katelin G Kloberg

(74) *Attorney, Agent, or Firm* — Rumit Ranjit Kanakia

(56) **References Cited**

(57) **CLAIM**

The ornamental design for a hammock stand, as shown and
described.

U.S. PATENT DOCUMENTS

DESCRIPTION

D32,902 S * 7/1900 Marchand D6/386

D39,975 S * 5/1909 Hoffman 5/129

D295,242 S * 4/1988 Frick D6/387

4,925,138 A * 5/1990 Rawlins A45F 3/24
5/127

5,113,538 A * 5/1992 Branch, III A45F 3/24
5/120

5,297,302 A * 3/1994 Anderson A45F 3/24
403/174

D376,275 S * 12/1996 Whittemore D6/387

D408,166 S * 4/1999 Bayless D6/387

6,360,383 B1 * 3/2002 Tseng A45F 3/24
5/120

D458,045 S * 6/2002 Tseng D6/718.12

6,711,764 B1 * 3/2004 Mauze, Jr. A45F 3/24
5/120

FIG. 1 is a top perspective view of a hammock stand,
showing my new design;

FIG. 2 is a bottom perspective view thereof;

FIG. 3 is a front view thereof;

FIG. 4 is a back view thereof;

FIG. 5 is a left side view thereof;

FIG. 6 is a right side view thereof;

FIG. 7 is a top view thereof;

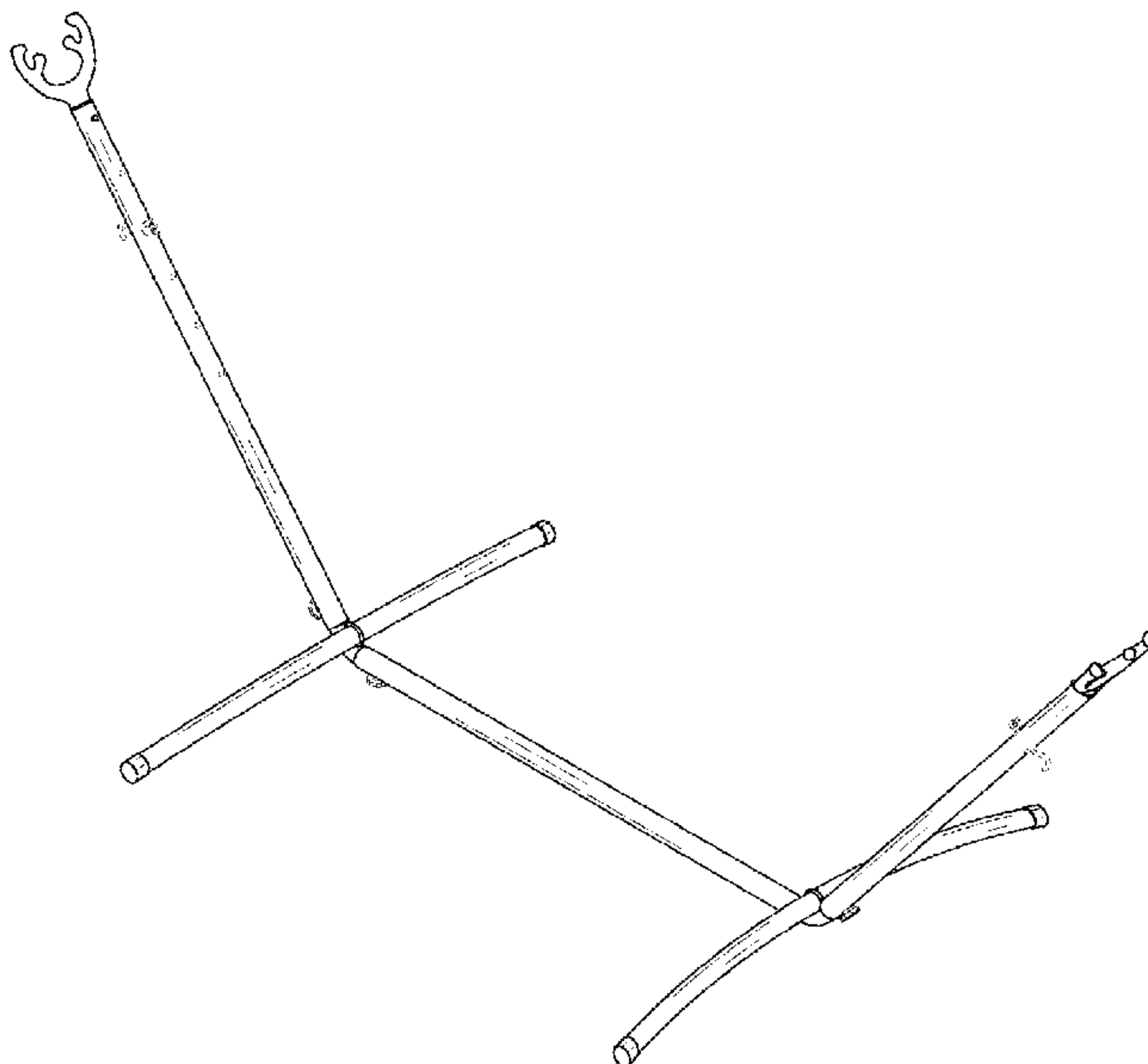
FIG. 8 is a bottom view thereof;

FIG. 9 is an enlarged view of detail 9 in FIG. 2; and,

FIG. 10 is an enlarged view of detail 10 in FIG. 2.

The broken lines shown in the drawings depict portions of
the hammock stand that form no part of the claimed design.

1 Claim, 10 Drawing Sheets



(56)

References Cited

U.S. PATENT DOCUMENTS

D682,000	S *	5/2013	Nguyen	D6/718.11
D688,062	S *	8/2013	Dao	D6/387
D809,844	S	2/2018	Huang		
D879,527	S *	3/2020	Zhang	D8/367
10,842,247	B2 *	11/2020	Wilke	A45F 3/24
D920,025	S	5/2021	Wang et al.		
D957,174	S *	7/2022	Wang	D6/718.12
2012/0233771	A1 *	9/2012	Lee	A45F 3/24
					5/127
2019/0000220	A1 *	1/2019	Lemmens	A45F 3/24
2022/0273090	A1 *	9/2022	Zhang	A45F 3/24
2022/0312945	A1 *	10/2022	Zhang	A45F 3/26

OTHER PUBLICATIONS

“ANOW Double Hammock with 12FT Stand.” Found online Jan. 25, 2023 at www.amazon.com. Product first available Jun. 15, 2022. Retrieved from URL: <https://www.amazon.com/ANOW-Included-Outdoors-Multifunctional-Capacity/dp/B0B46GQQF3> (Year: 2022).*

“Suncreat 2-in-1 Hammock Chair with Stand.” Found online Jan. 25, 2023 at www.amazon.com. Product reviewed Jul. 24, 2022. Retrieved from URL: <https://www.amazon.com/SUNCREAT-Hammock-Capacity-Person-Pending/dp/B09YHLH9QK> (Year: 2022).*

“Hammock Chair with Stand Phone Holder.” Found online Jan. 25, 2023 at www.amazon.com. Product first available Jun. 7, 2022. Retrieved from URL: <https://www.amazon.com/Hammock-Included-Handmade-Adjustable-Capacity-2022/dp/B09R9KR1G8> (Year: 2022).*

* cited by examiner

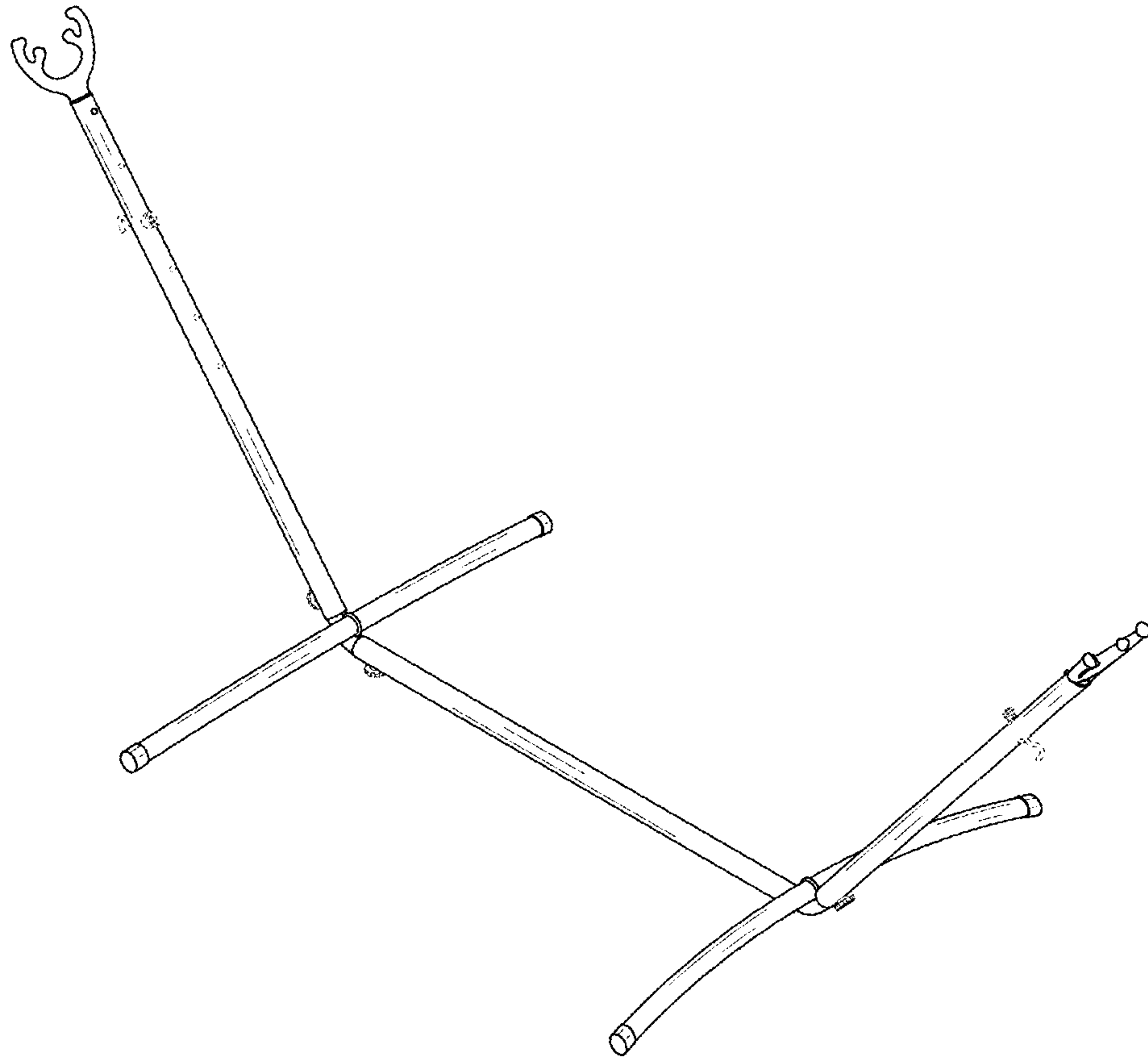


FIG. 1

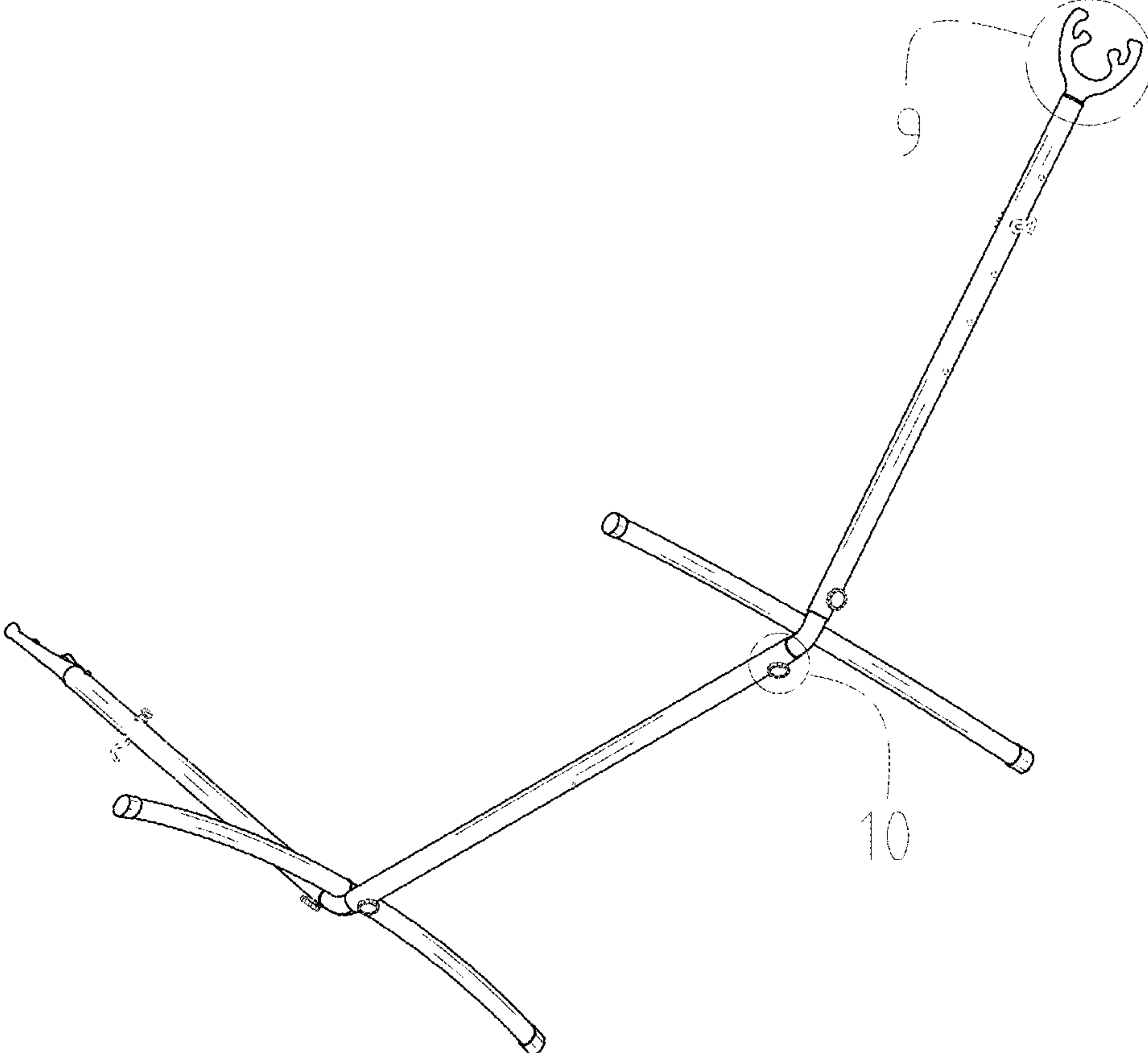


FIG. 2

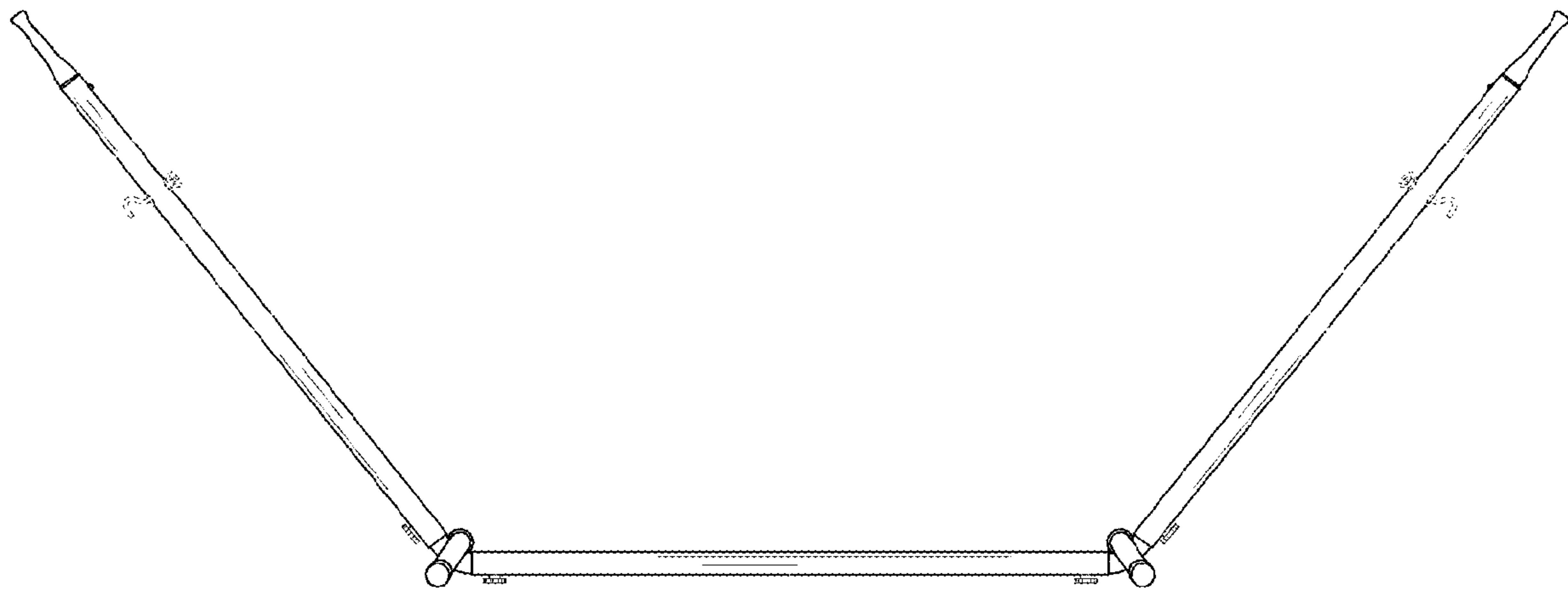


FIG. 3

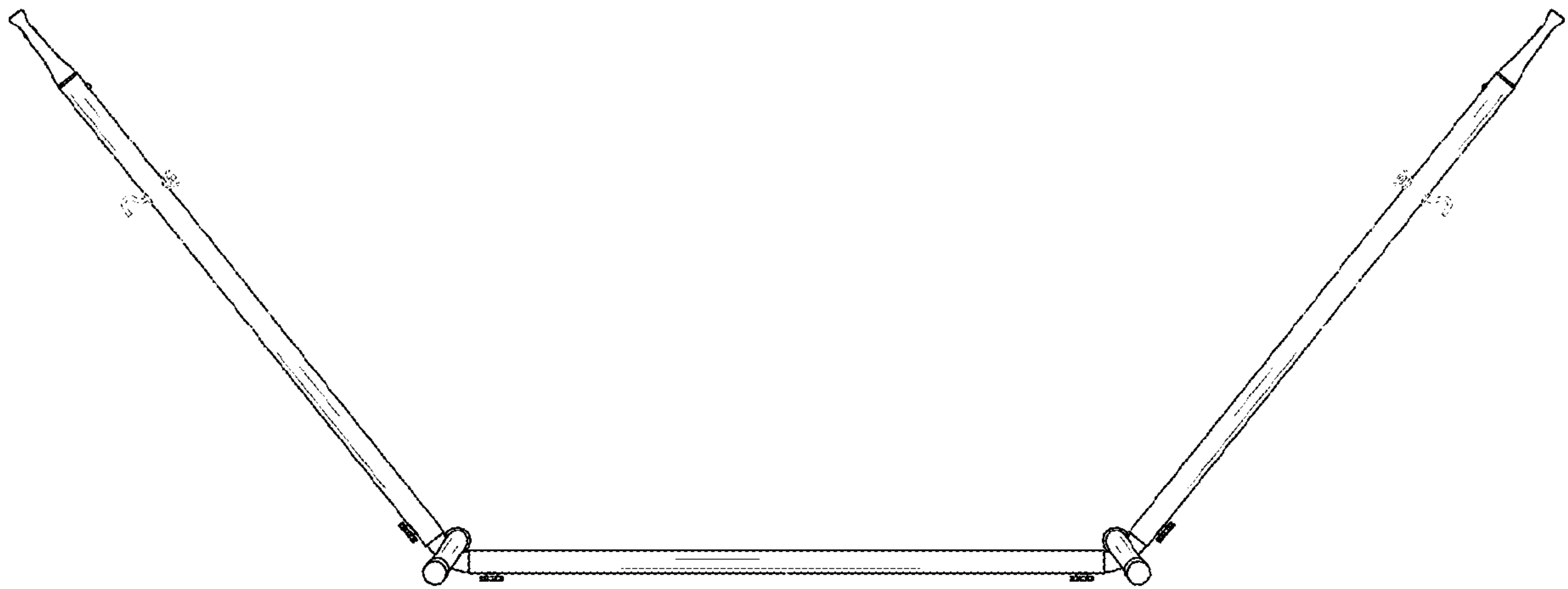


FIG. 4

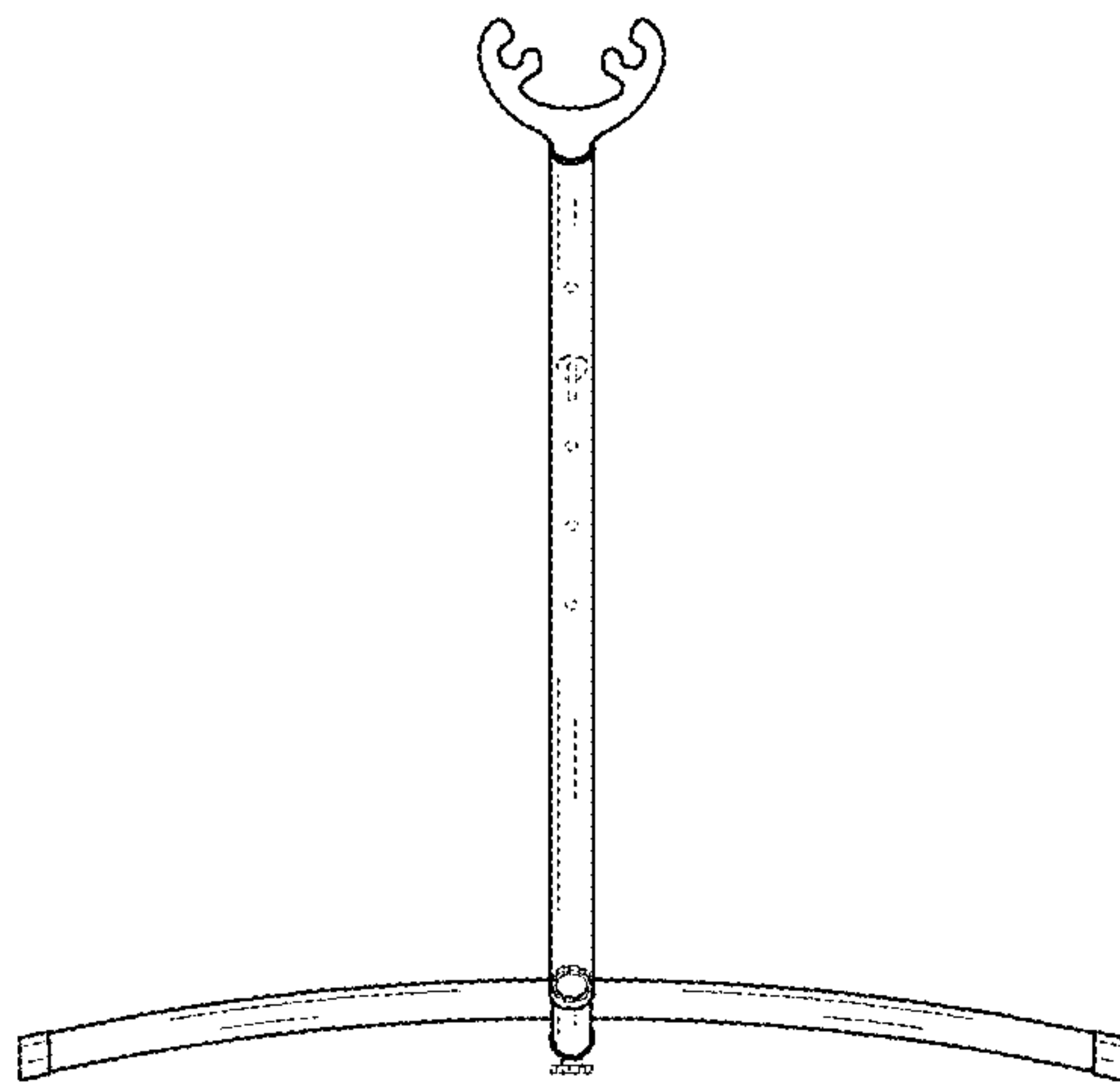


FIG. 5

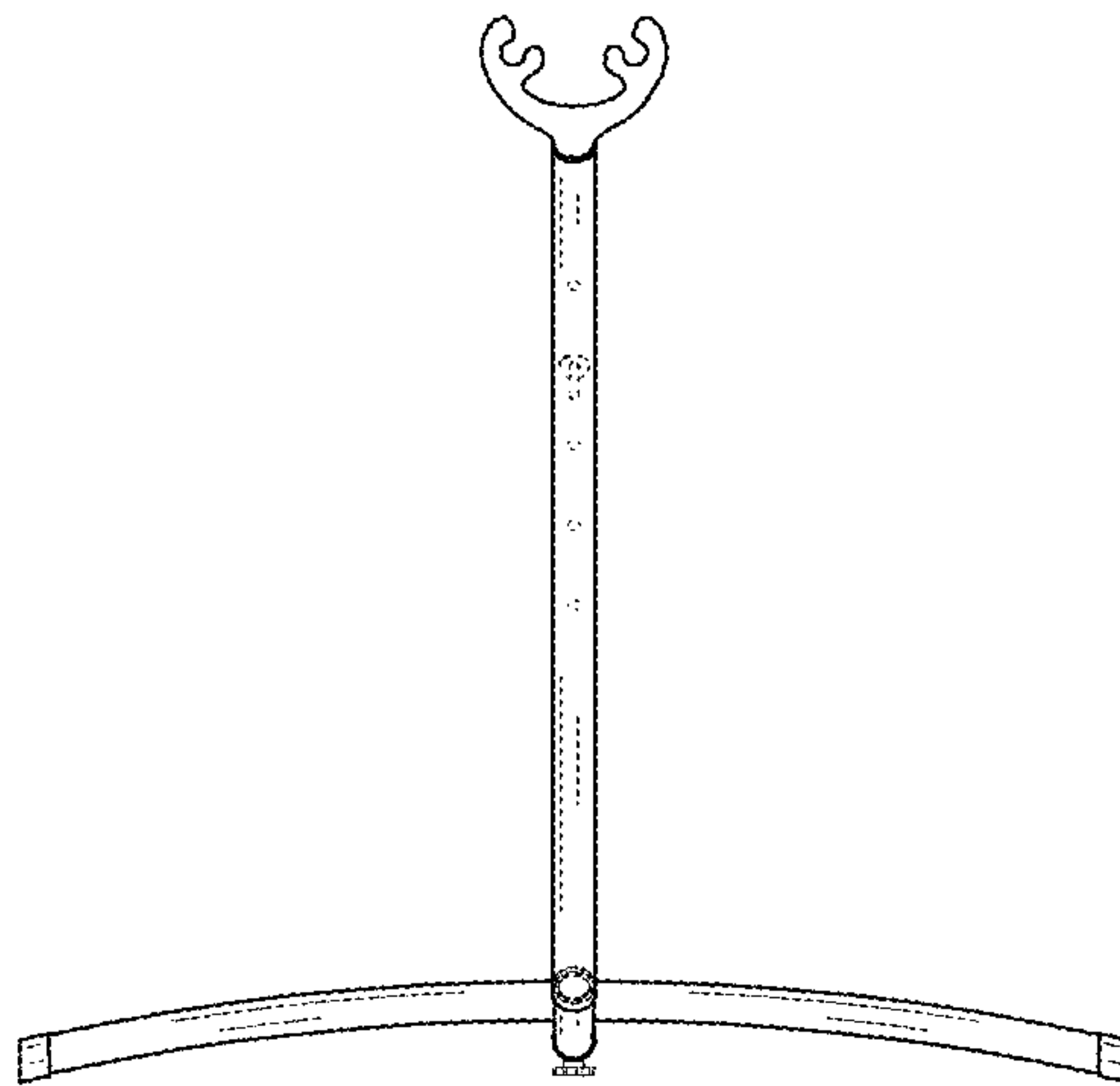


FIG. 6

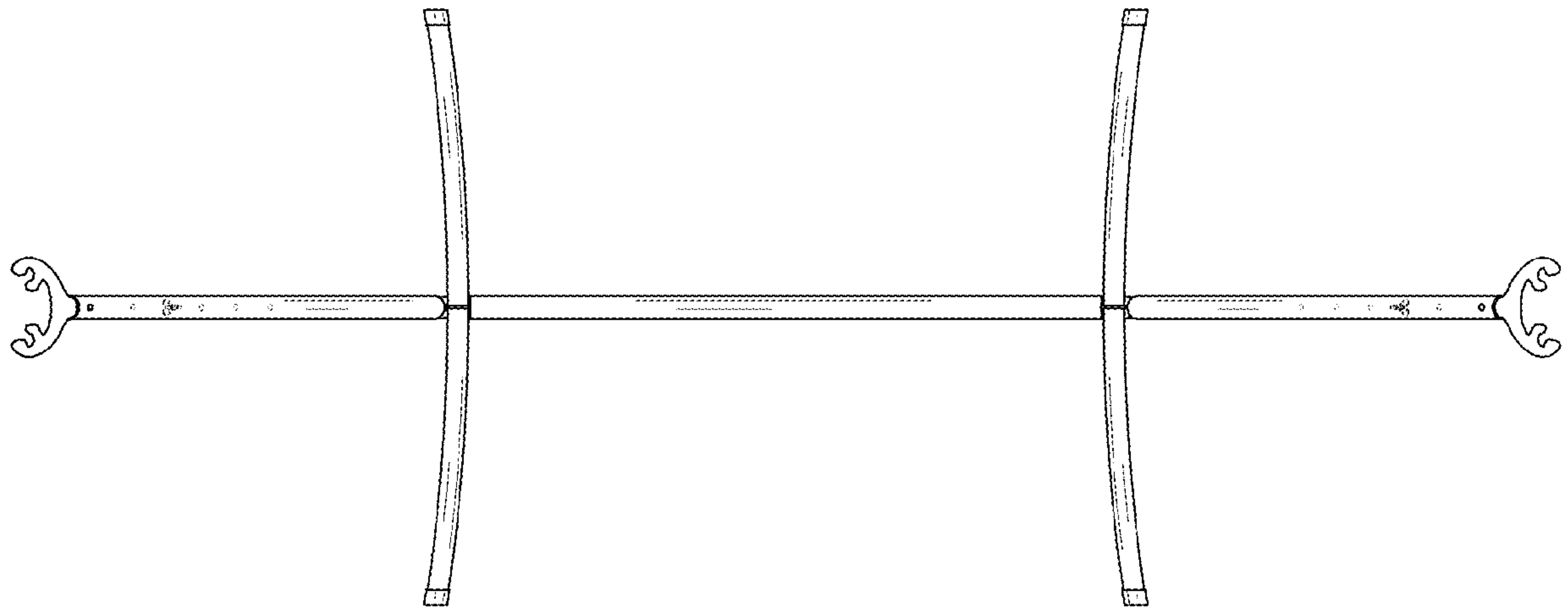


FIG. 7

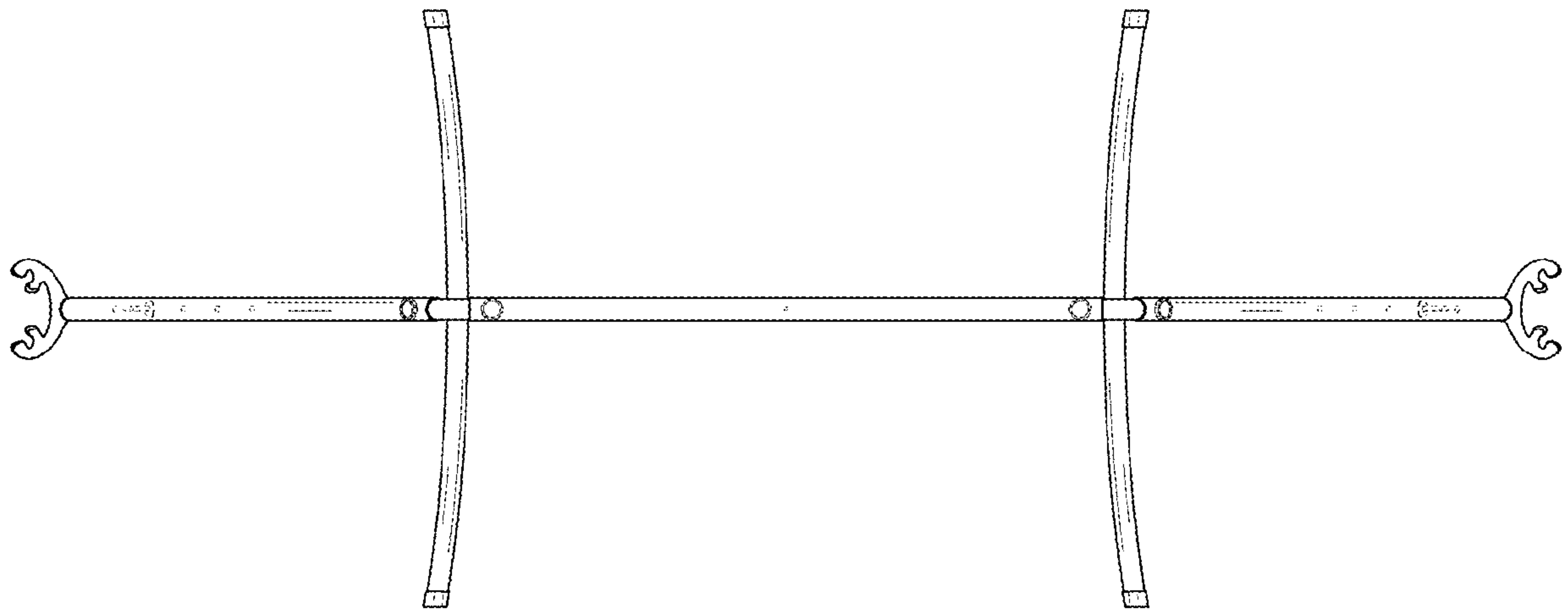


FIG. 8



FIG. 9

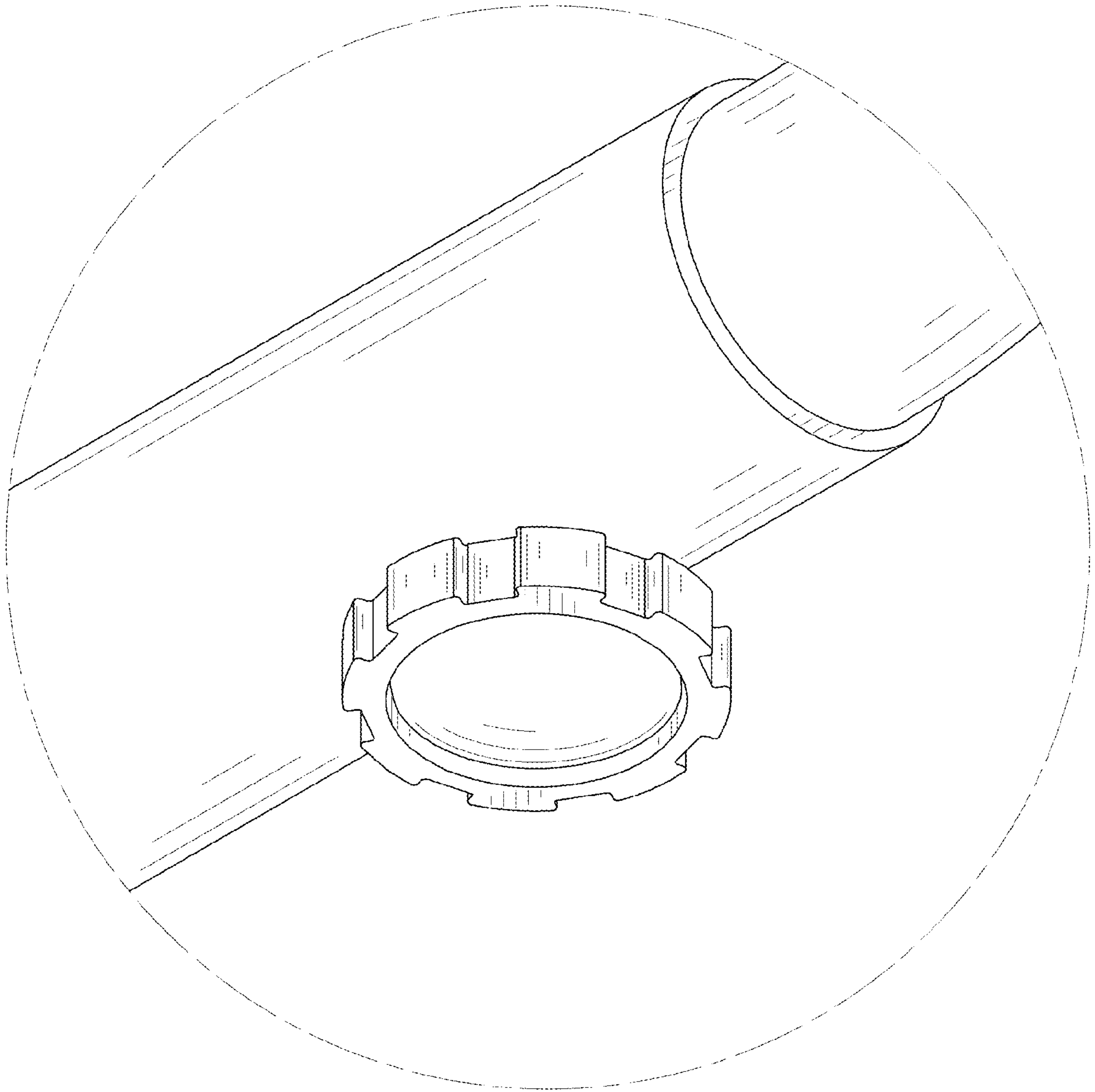


FIG. 10