



US00D984186S

(12) **United States Design Patent** (10) **Patent No.:** **US D984,186 S**
Shen (45) **Date of Patent:** **** Apr. 25, 2023**

(54) **BAR CHAIR**

(71) Applicant: **Jiehui Shen**, Jiaxing (CN)

(72) Inventor: **Jiehui Shen**, Jiaxing (CN)

(**) Term: **15 Years**

(21) Appl. No.: **29/860,989**

(22) Filed: **Nov. 24, 2022**

(51) **LOC (14) Cl.** **06-06**

(52) **U.S. Cl.**

USPC **D6/716.1**

(58) **Field of Classification Search**

USPC D6/349-353, 358, 360, 364-365, 367,
D6/403-405, 601, 691-691.9, 692-692.6,
D6/703.6, 703.7, 705, 716.1

CPC A47C 4/028; A47C 7/002; A47C 7/004;
A47C 7/006; A47C 7/18; A47C 3/18;
A47C 7/46; A47C 3/20; A47C 7/24;
A47C 9/00; A47C 3/40; A47C 16/02;
A47C 3/12

See application file for complete search history.

(56) **References Cited**

U.S. PATENT DOCUMENTS

D576,415 S	*	9/2008	Li	D6/360
D638,633 S		5/2011	Du		
D672,579 S		12/2012	Vass		
D686,831 S	*	7/2013	Lemson	D6/375
D688,481 S	*	8/2013	Lee	D6/360
D689,706 S	*	9/2013	Shokouhi	D6/360
D696,036 S	*	12/2013	Starck	D6/360
D730,075 S	*	5/2015	Kubryk	D6/375
D781,606 S		3/2017	Ngo		
D799,229 S		10/2017	Pan		
D811,105 S	*	2/2018	Williams	D6/716.1
D838,505 S		1/2019	Ngo		
D841,993 S	*	3/2019	Kaloustian	D6/336
D846,930 S		4/2019	Patton		
D848,165 S		5/2019	Saito		
D853,742 S	*	7/2019	Novak	D6/375

D900,494 S	*	11/2020	Tsai	D6/360
D905,985 S	*	12/2020	Li	D6/360
D910,324 S		2/2021	Tao		
D932,790 S		10/2021	Lu		

(Continued)

FOREIGN PATENT DOCUMENTS

CN		3398551	*	10/2004	
CN		306068924	*	9/2020	

OTHER PUBLICATIONS

Clover Arm Chair, posted at lumens.com, posting date Jan. 27, 2018, retrieved Jan. 27, 2023, online, URL: <https://www.lumens.com/clover-armchair-by-driade-DRI615131.html> (Year: 2018).*

(Continued)

Primary Examiner — Mary Shannon Malley

Assistant Examiner — Michelle Marquart Christeon

(74) *Attorney, Agent, or Firm* — Rumit Ranjit Kanakia

(57) **CLAIM**

The ornamental design for a bar chair, as shown and described.

DESCRIPTION

FIG. 1 is a front perspective view of a bar chair, showing my new design;

FIG. 2 is rear perspective view thereof;

FIG. 3 is a front elevational view thereof;

FIG. 4 is a rear elevational view thereof;

FIG. 5 is a left side view thereof;

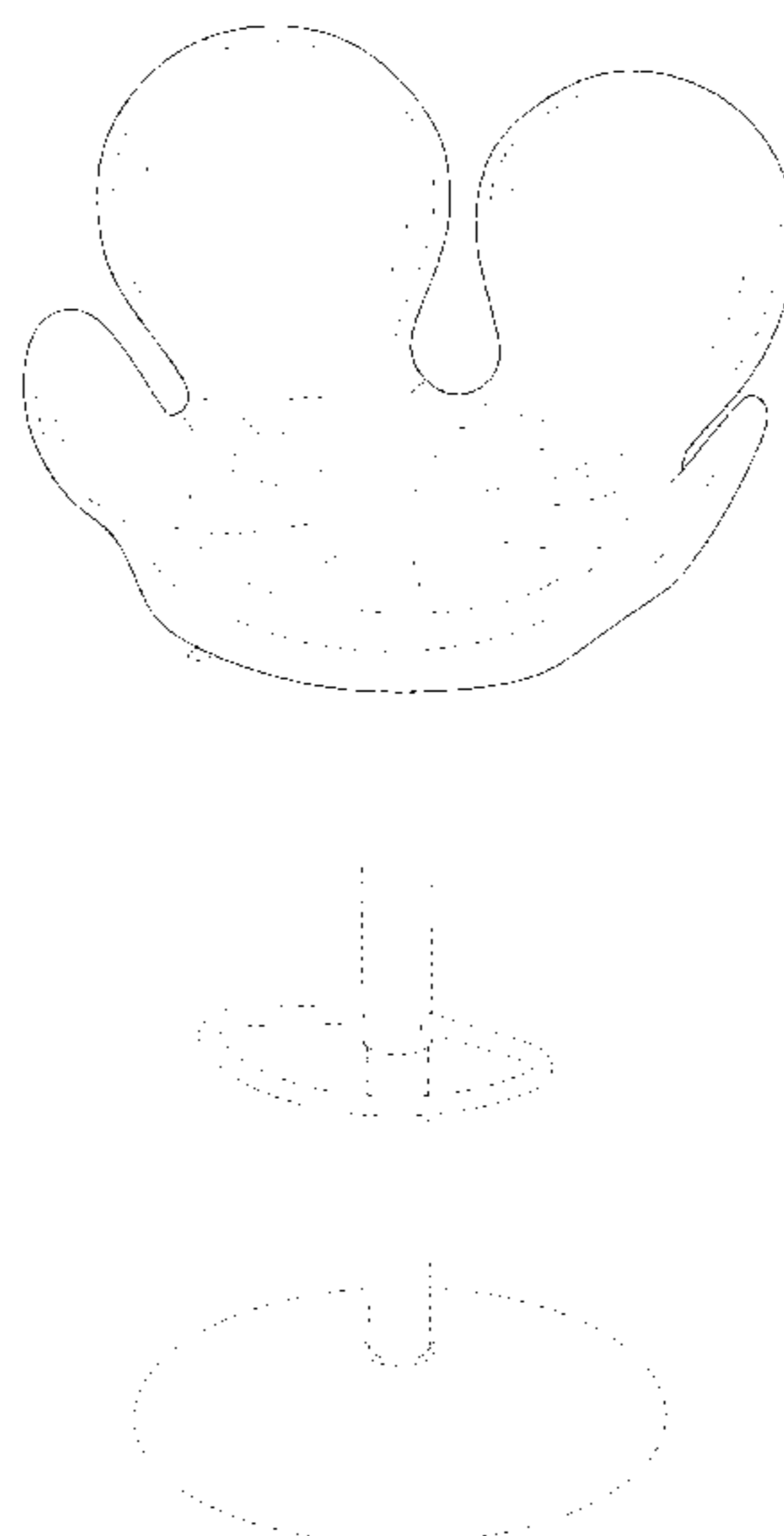
FIG. 6 is a right side view thereof;

FIG. 7 is a top plan view thereof; and,

FIG. 8 is a bottom plan view thereof.

The broken lines in the figures are for the purposes of illustrating portions of the bar chair, which form no part of the claimed design.

1 Claim, 8 Drawing Sheets



(56)

References Cited

U.S. PATENT DOCUMENTS

D938,182 S 12/2021 Li
D953,760 S * 6/2022 Wu D6/360

OTHER PUBLICATIONS

YaFiti Bar Stool, posted at amazon.com, posting date Oct. 20, 2022, retrieved Jan. 26, 2023, online, URL: https://www.amazon.com/dp/B0BK8F34BC/ref=sspa_dk_detail_2?pf_rd_p=46bad5f6-1f0a-4167-9a8b-c8a82fa48a54&pf_rd_r=NWKEG9RTCPJ1GEH . . . Jan. 9 (Year: 2022).*

* cited by examiner

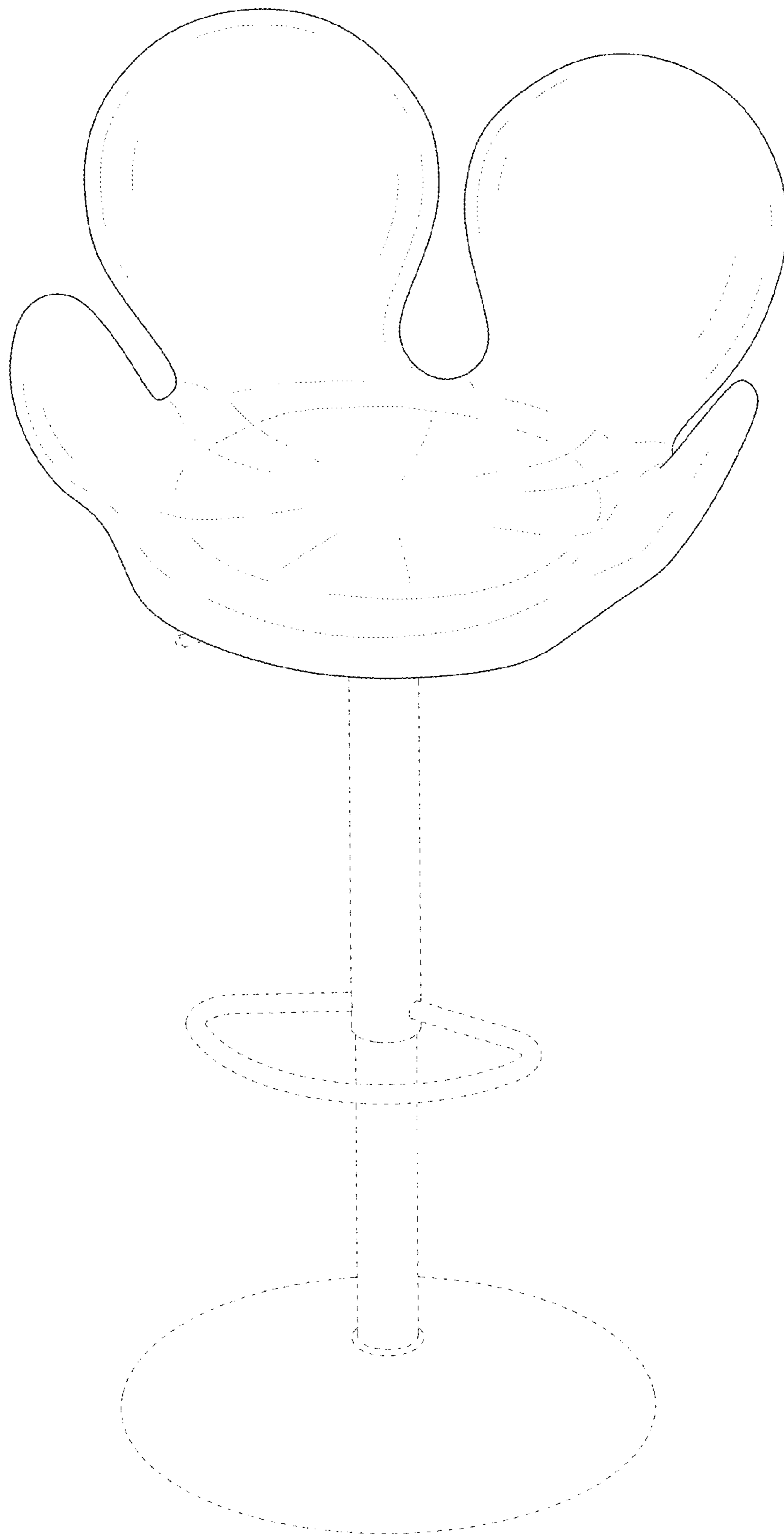


FIG. 1

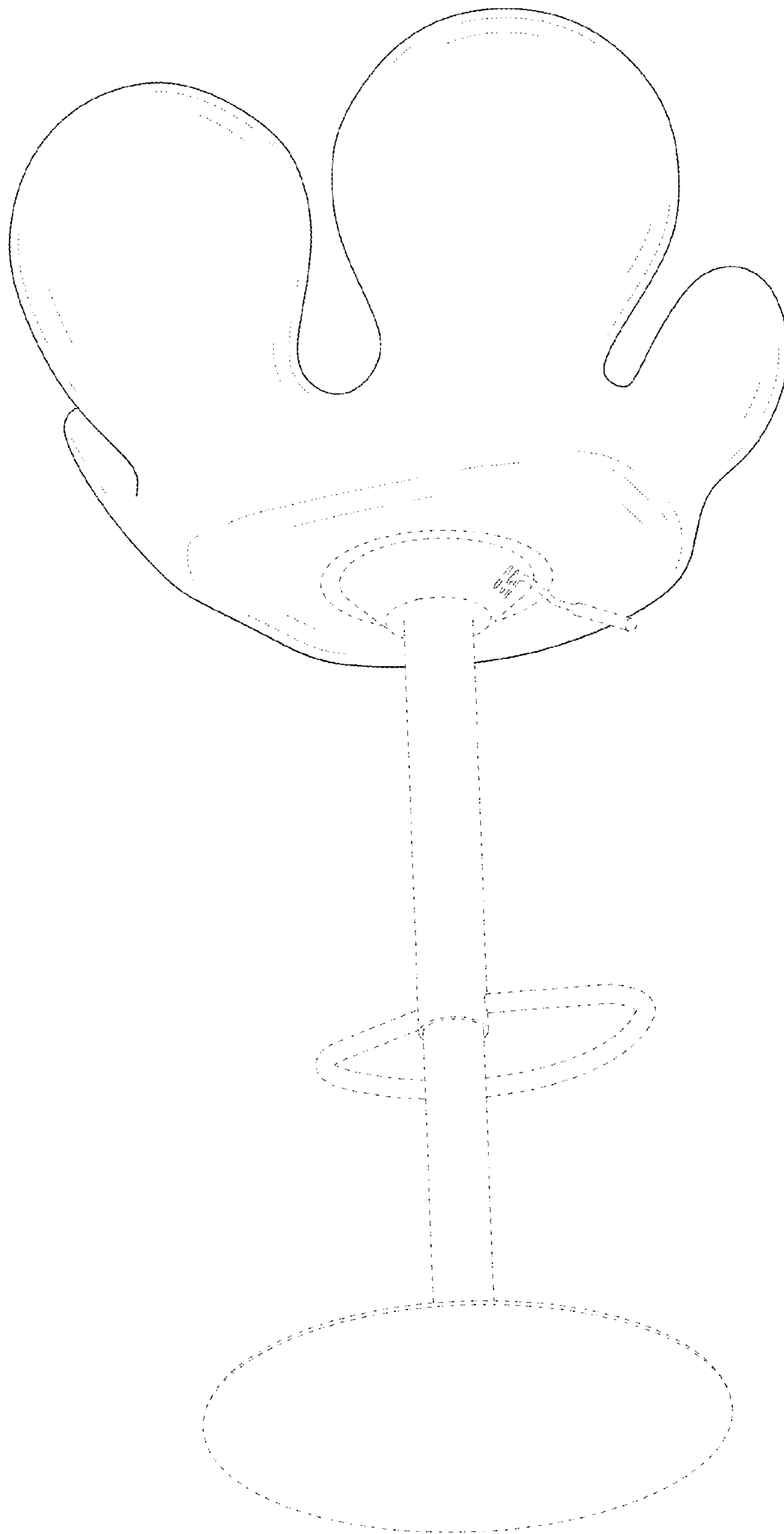


FIG. 2

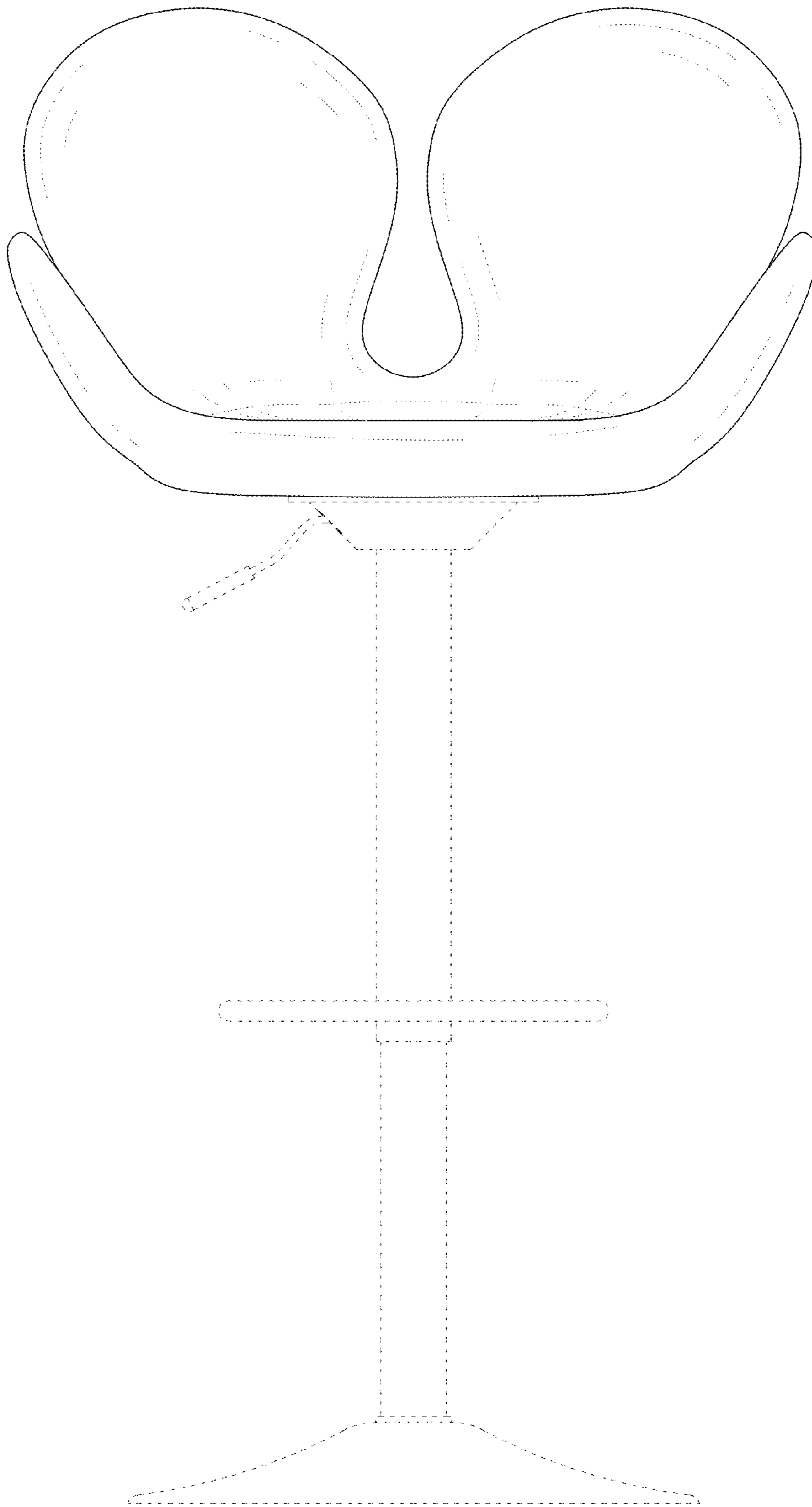


FIG. 3

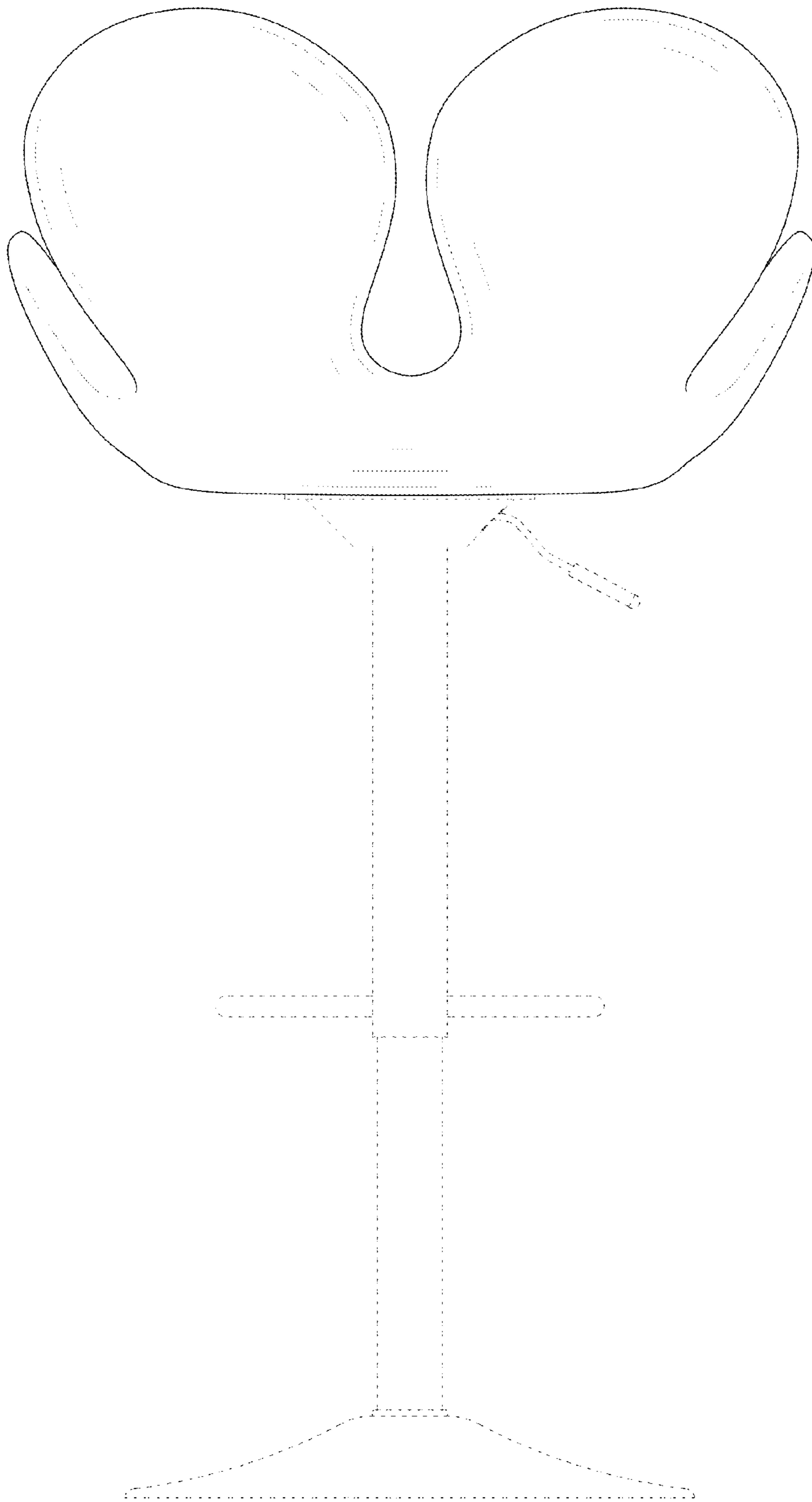


FIG. 4

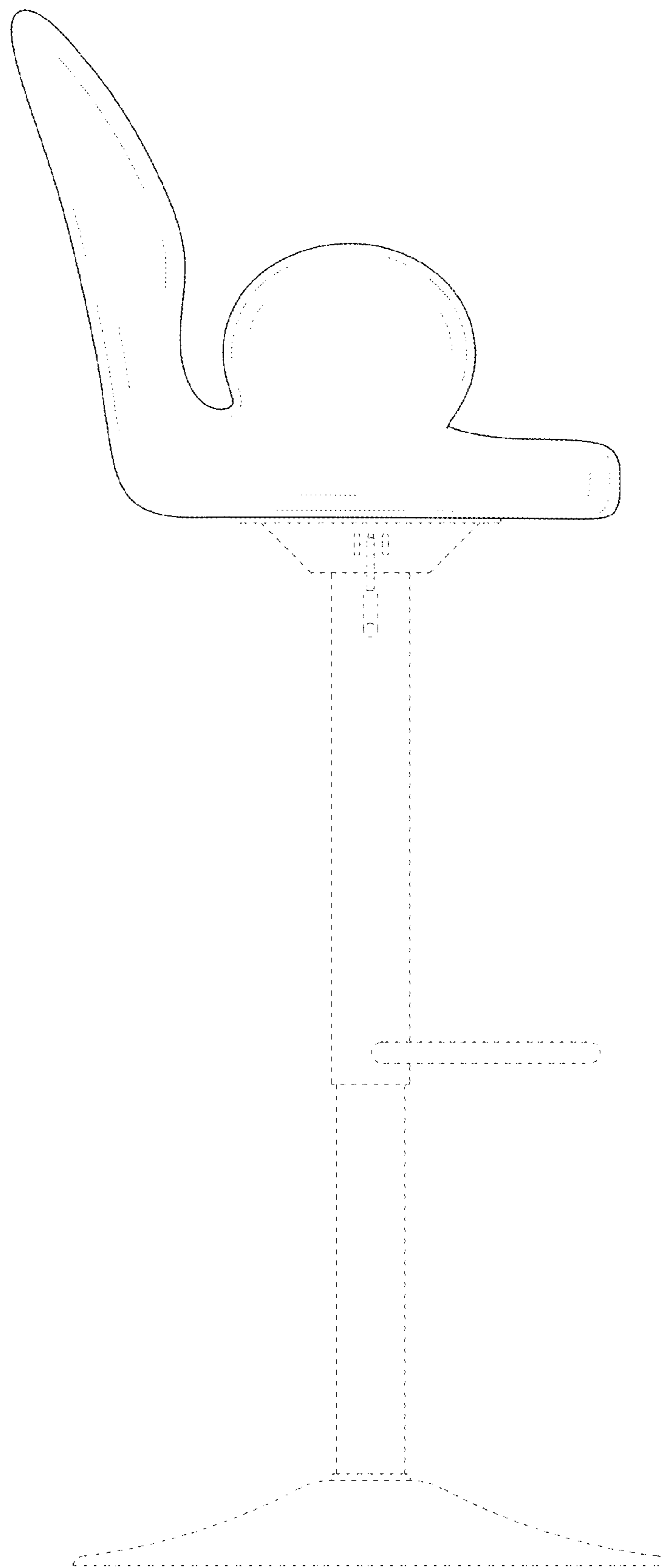


FIG. 5

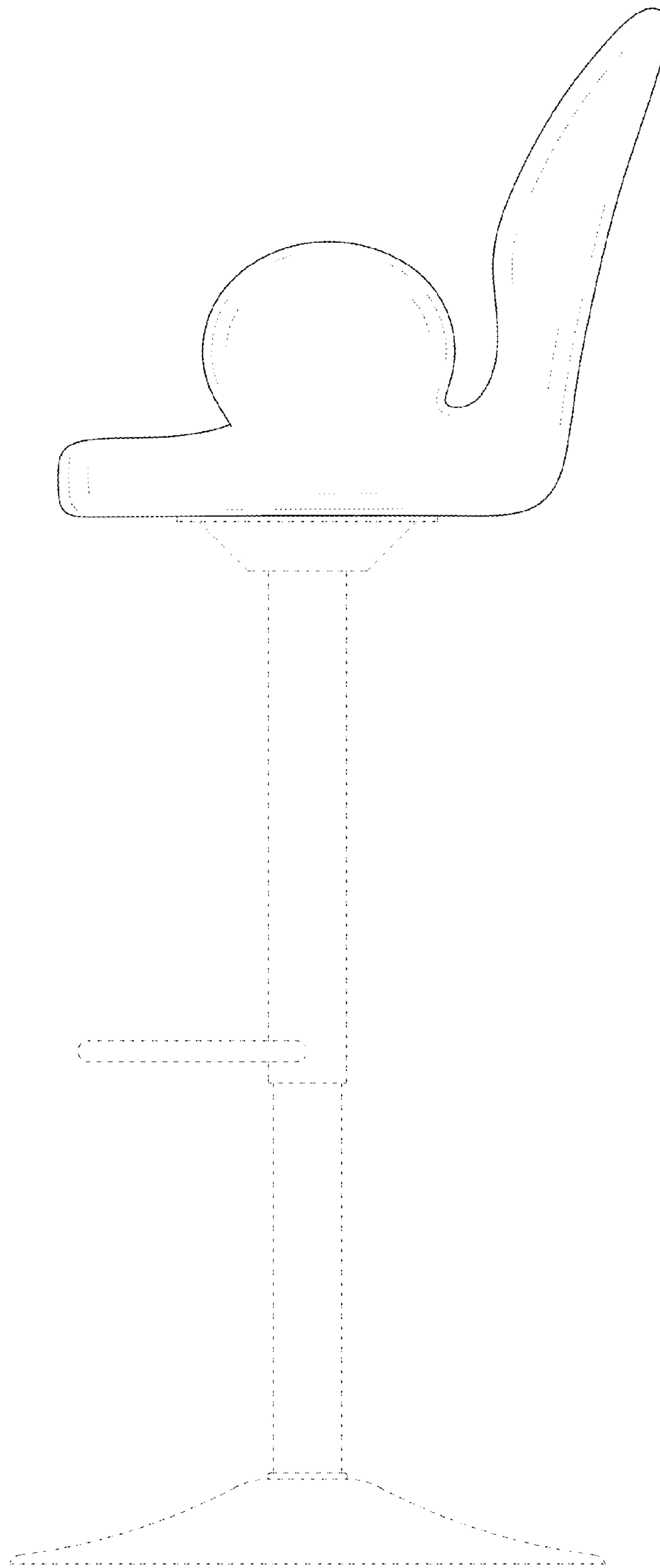


FIG. 6

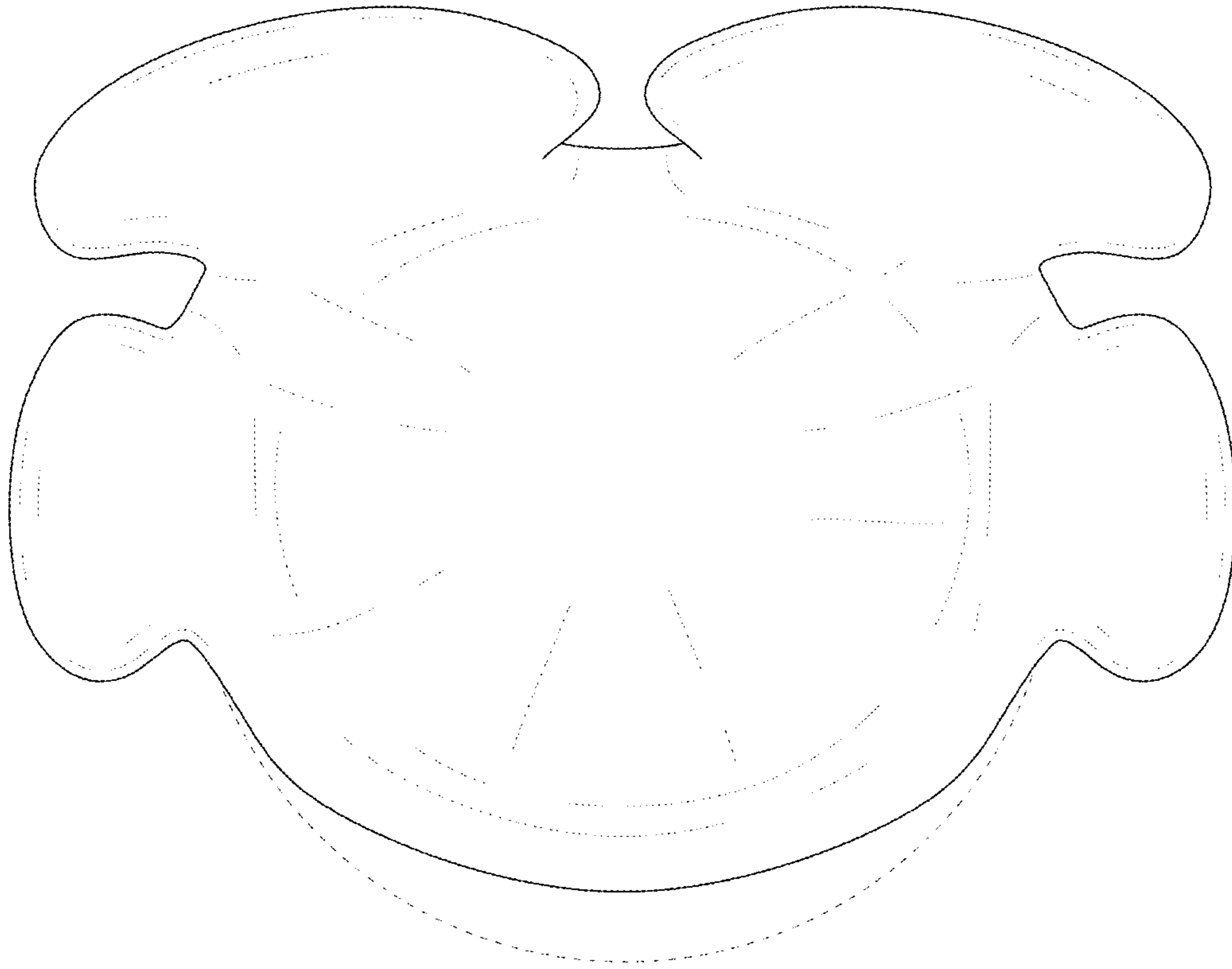


FIG. 7

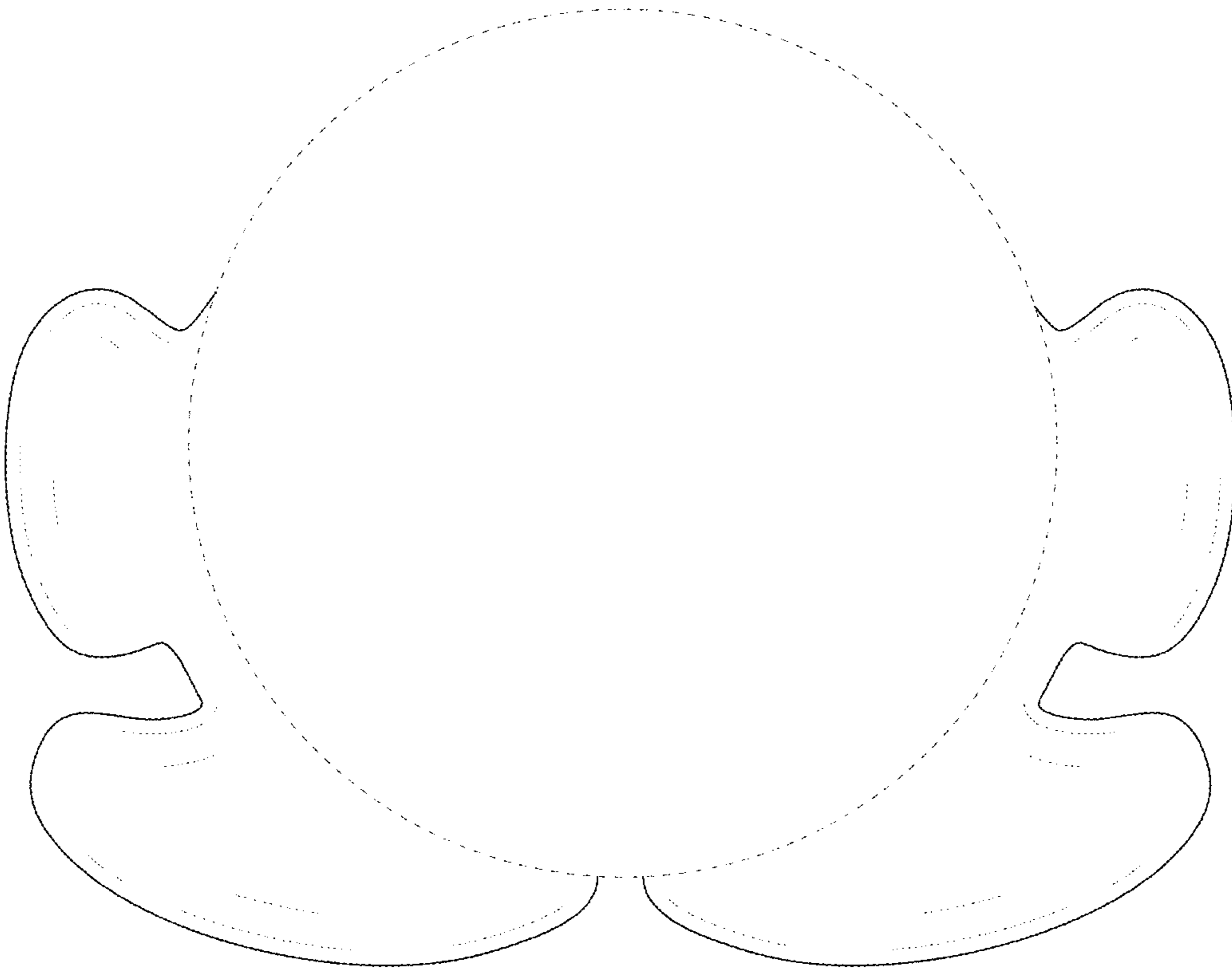


FIG. 8