



US00D984185S

(12) **United States Design Patent**
Shen

(10) **Patent No.:** **US D984,185 S**

(45) **Date of Patent:** **** Apr. 25, 2023**

(54) **BAR CHAIR**

(71) Applicant: **Jiehui Shen**, Jiaxing (CN)

(72) Inventor: **Jiehui Shen**, Jiaxing (CN)

(**) Term: **15 Years**

(21) Appl. No.: **29/859,564**

(22) Filed: **Nov. 11, 2022**

(51) **LOC (14) Cl.** **06-06**

(52) **U.S. Cl.**
USPC **D6/716.1; D6/364**

(58) **Field of Classification Search**
USPC D6/334, 348, 349, 352-354, 360, 364,
D6/366, 369, 370, 374, 375, 716, 716.1,
D6/365

CPC A47C 7/185; A47C 7/004; A47C 9/007
See application file for complete search history.

(56) **References Cited**

U.S. PATENT DOCUMENTS

D124,032 S *	12/1940	Houghton	D6/369
D249,756 S *	10/1978	Claman	D6/334
D431,914 S *	10/2000	Lewis	D6/334
D452,385 S *	12/2001	Denton	D6/334
D512,845 S	12/2005	O'Hare		
D646,510 S *	10/2011	Gasser	D6/716
D675,044 S	1/2013	Gasser		
D677,948 S	3/2013	Hansen		
D696,036 S	12/2013	Starck		
D700,447 S	3/2014	Diez		
D708,448 S	7/2014	Hernandez		
D711,675 S	8/2014	Sato		
D712,170 S	9/2014	Orlandini et al.		
D723,811 S *	3/2015	Weyts	D6/334
D785,387 S	5/2017	Andrus		

D795,621 S *	8/2017	Ono	D6/366
D807,091 S *	1/2018	Morrison	D6/375
D821,773 S *	7/2018	Hale	D6/374
D895,991 S *	9/2020	Dardashti	D6/360
D920,692 S	12/2021	Li		

OTHER PUBLICATIONS

Sora Swivel Bar Stool, available in issuu.com, I.O. Metro Spring 2014 Catalog, p. 19, Published Mar. 13, 2014 [online], Retrieved on Jan. 10, 2023 from URL: https://issuu.com/iometrofurniture/docs/iom_spring2014_web (Year: 2014).*

* cited by examiner

Primary Examiner — Vy N Koenig

Assistant Examiner — Michelle M Reeves

(74) *Attorney, Agent, or Firm* — Rumit Ranjit Kanakia

(57) **CLAIM**

The ornamental design for a bar chair, as shown and described.

DESCRIPTION

FIG. 1 is a front perspective view of a bar chair, showing my new design;

FIG. 2 is rear perspective view thereof;

FIG. 3 is a front elevational view thereof;

FIG. 4 is a rear elevational view thereof;

FIG. 5 is a left side view thereof;

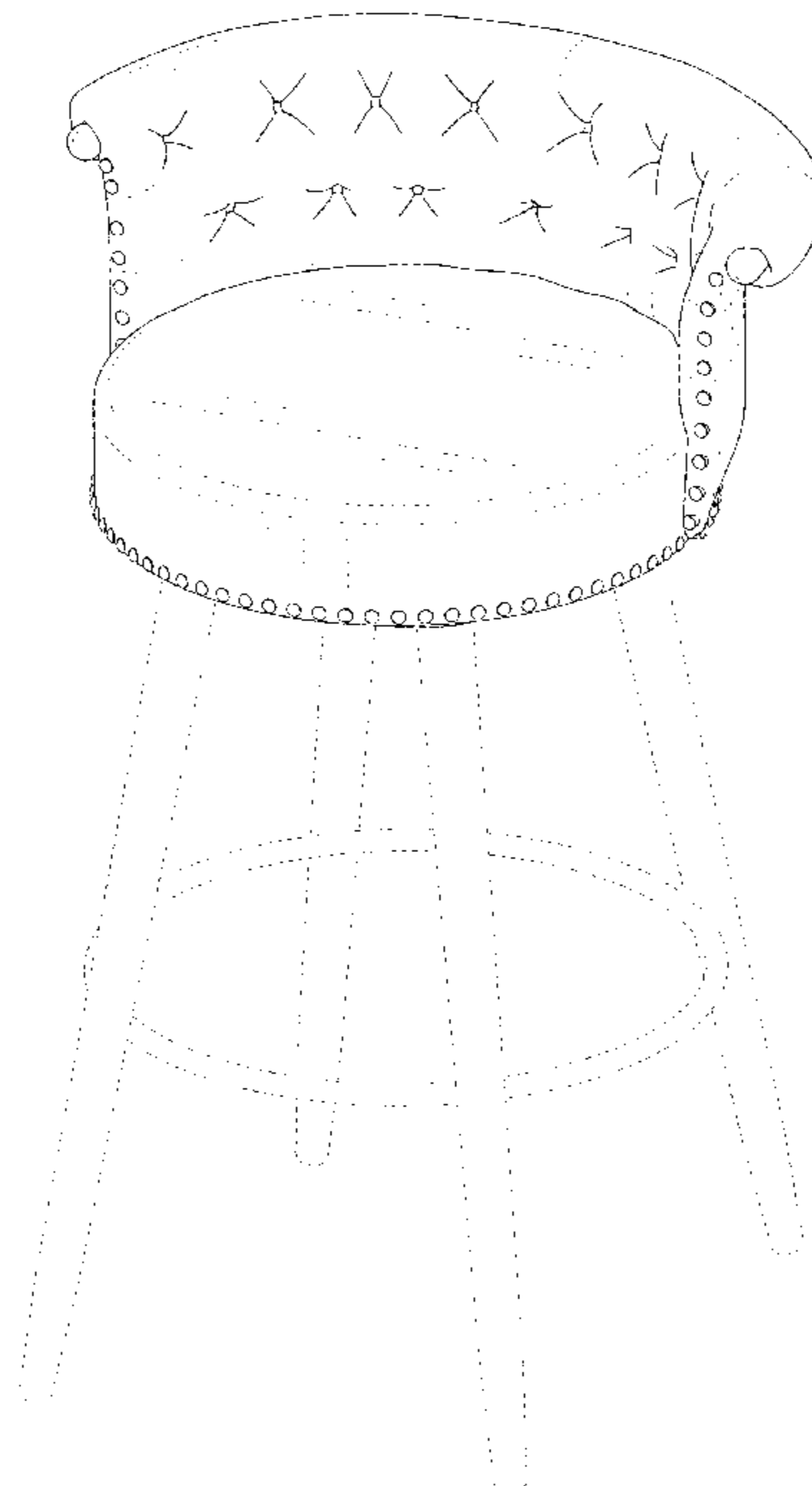
FIG. 6 is a right side view thereof;

FIG. 7 is a top plan view thereof; and,

FIG. 8 is a bottom plan view thereof.

The broken lines in the figures are for the purposes of illustrating portions of the bar chair, which form no part of the claimed design.

1 Claim, 8 Drawing Sheets



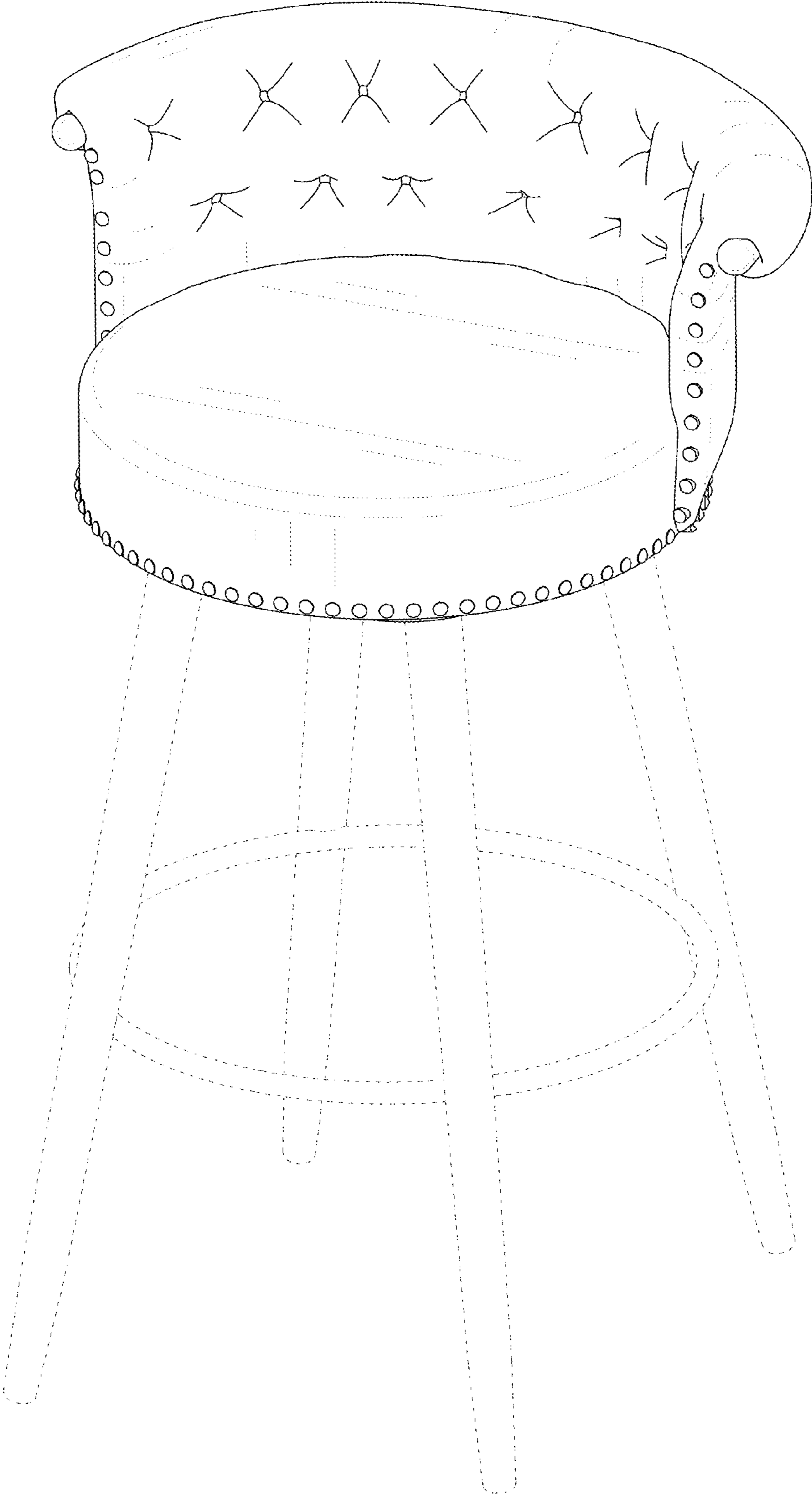


FIG. 1

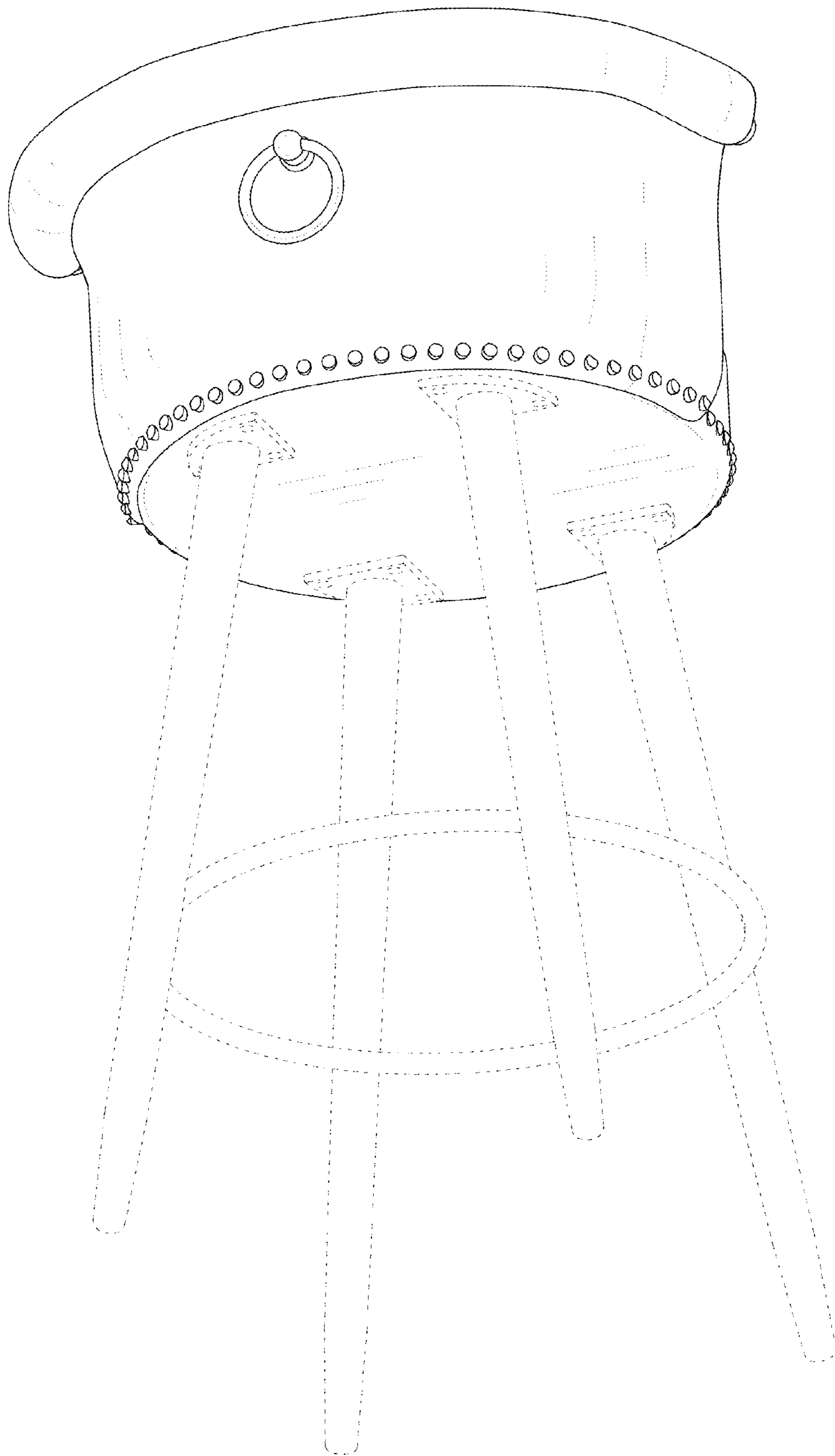


FIG. 2

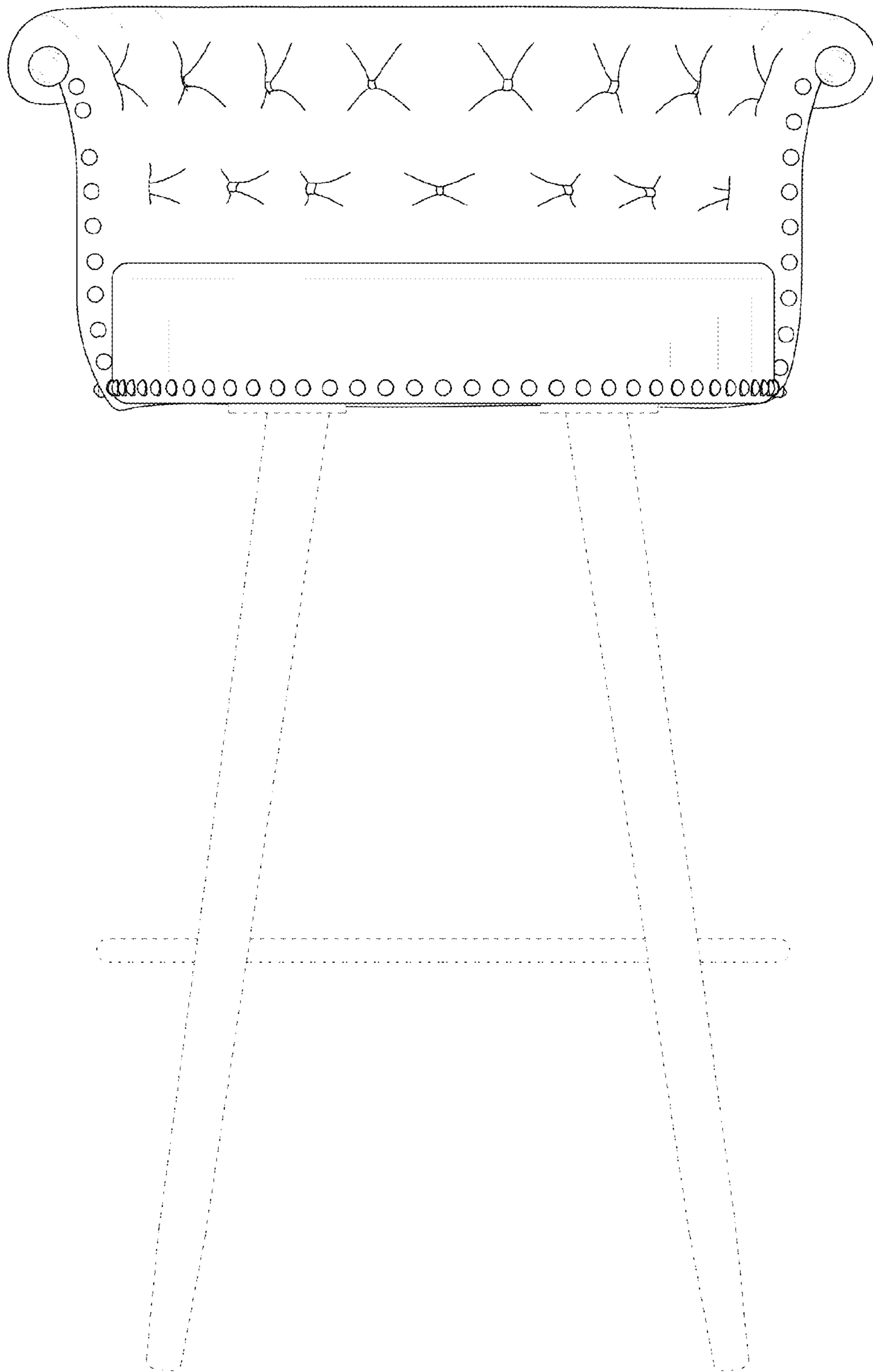


FIG.3

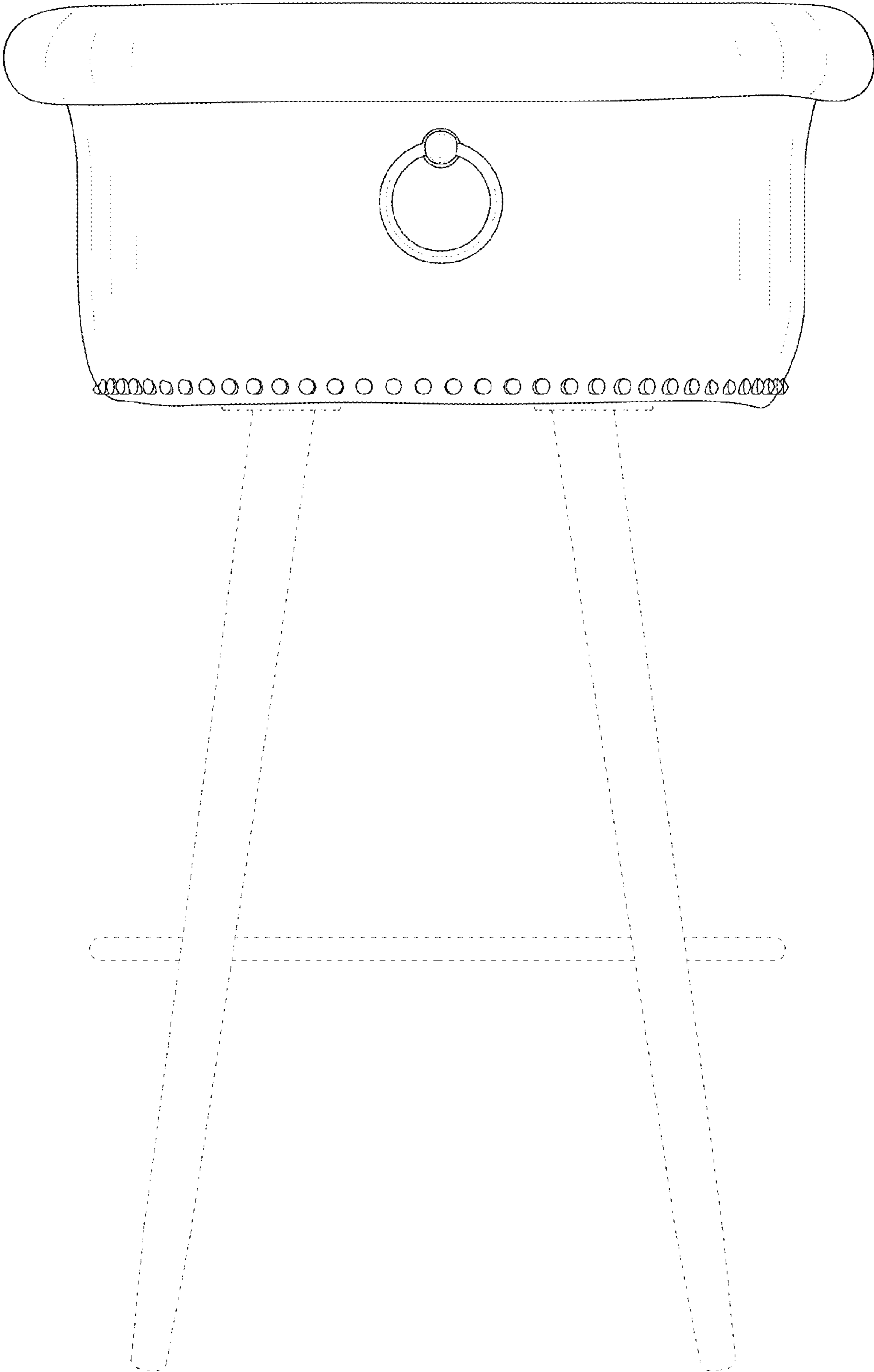


FIG. 4

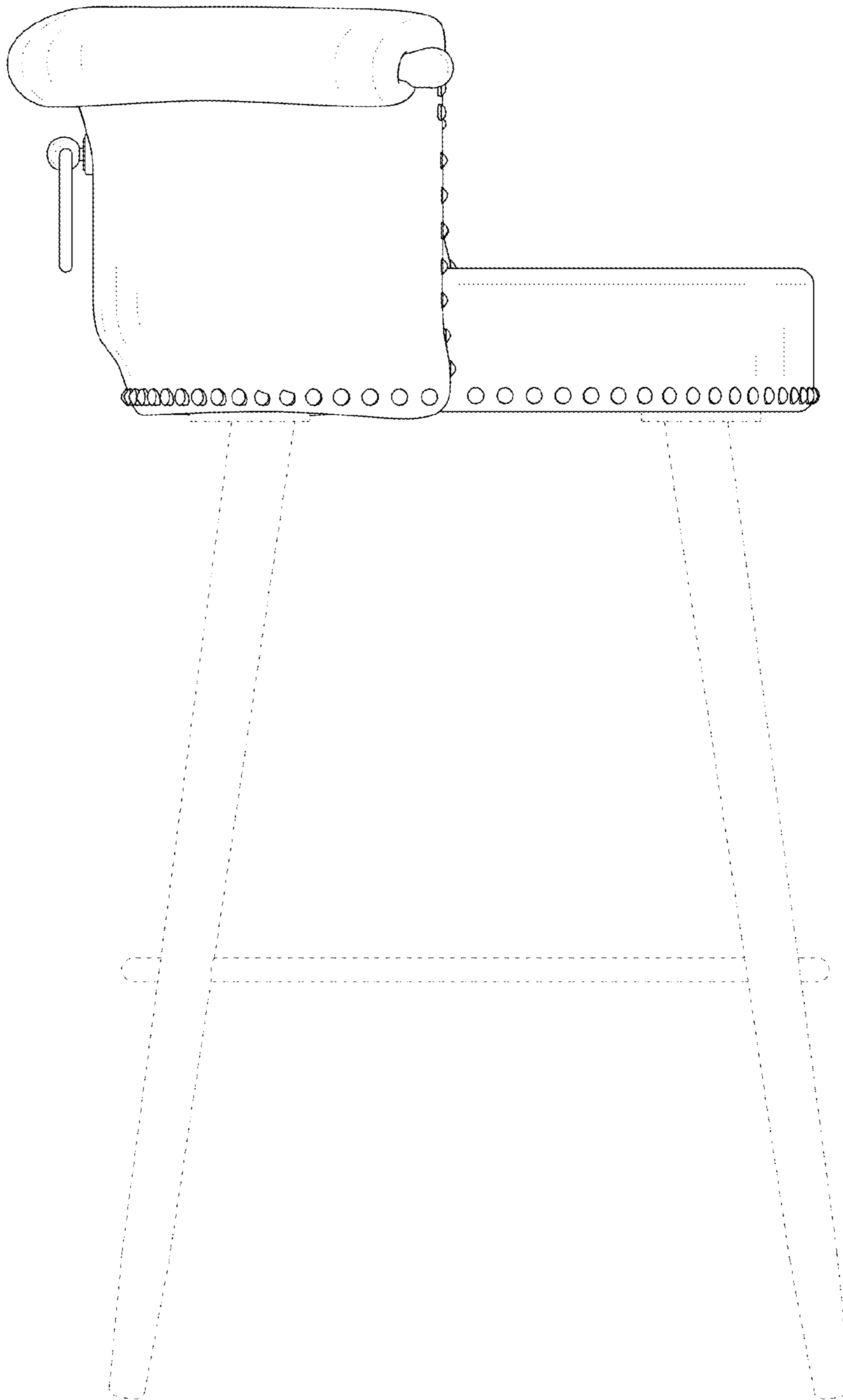


FIG. 5

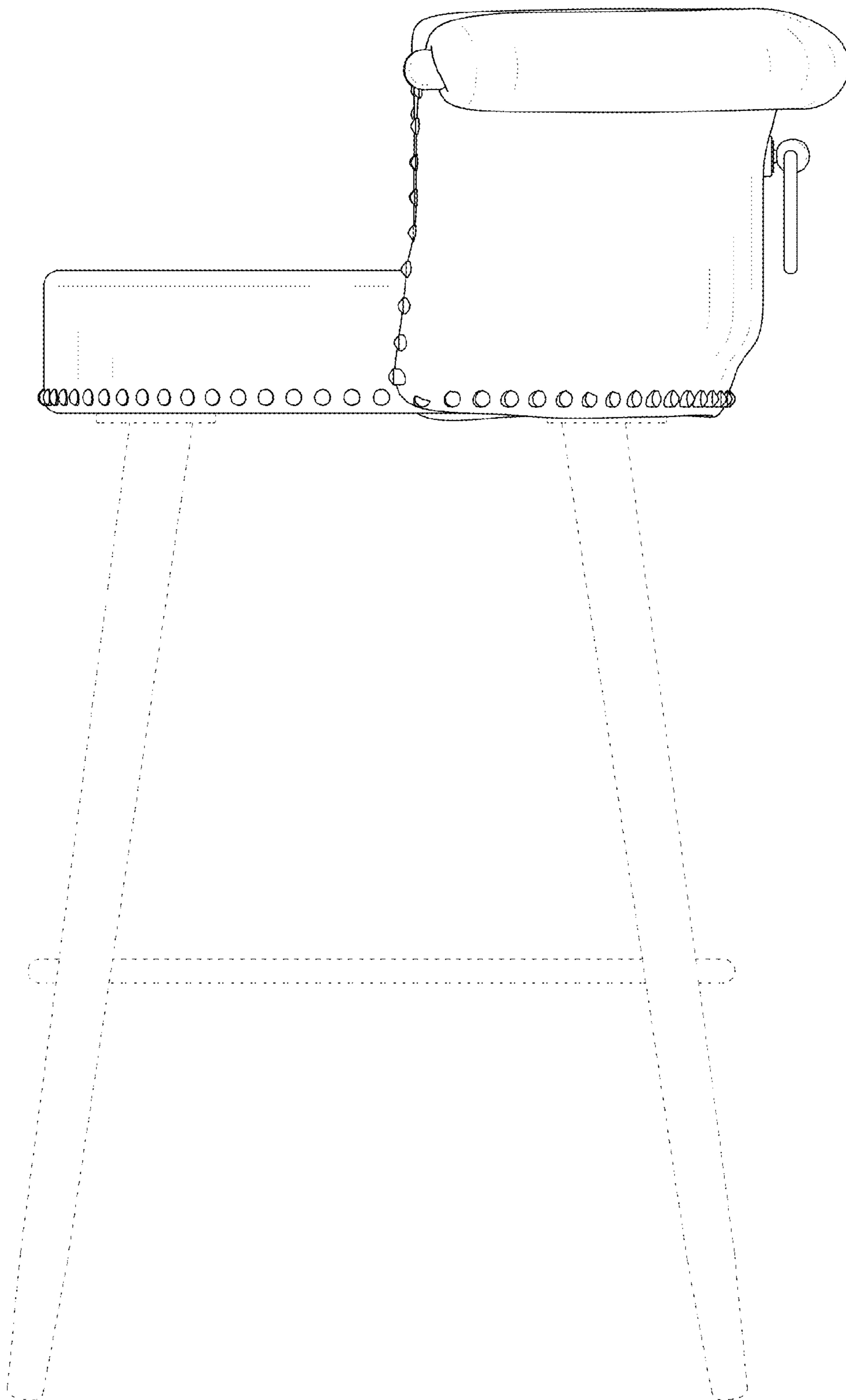


FIG. 6

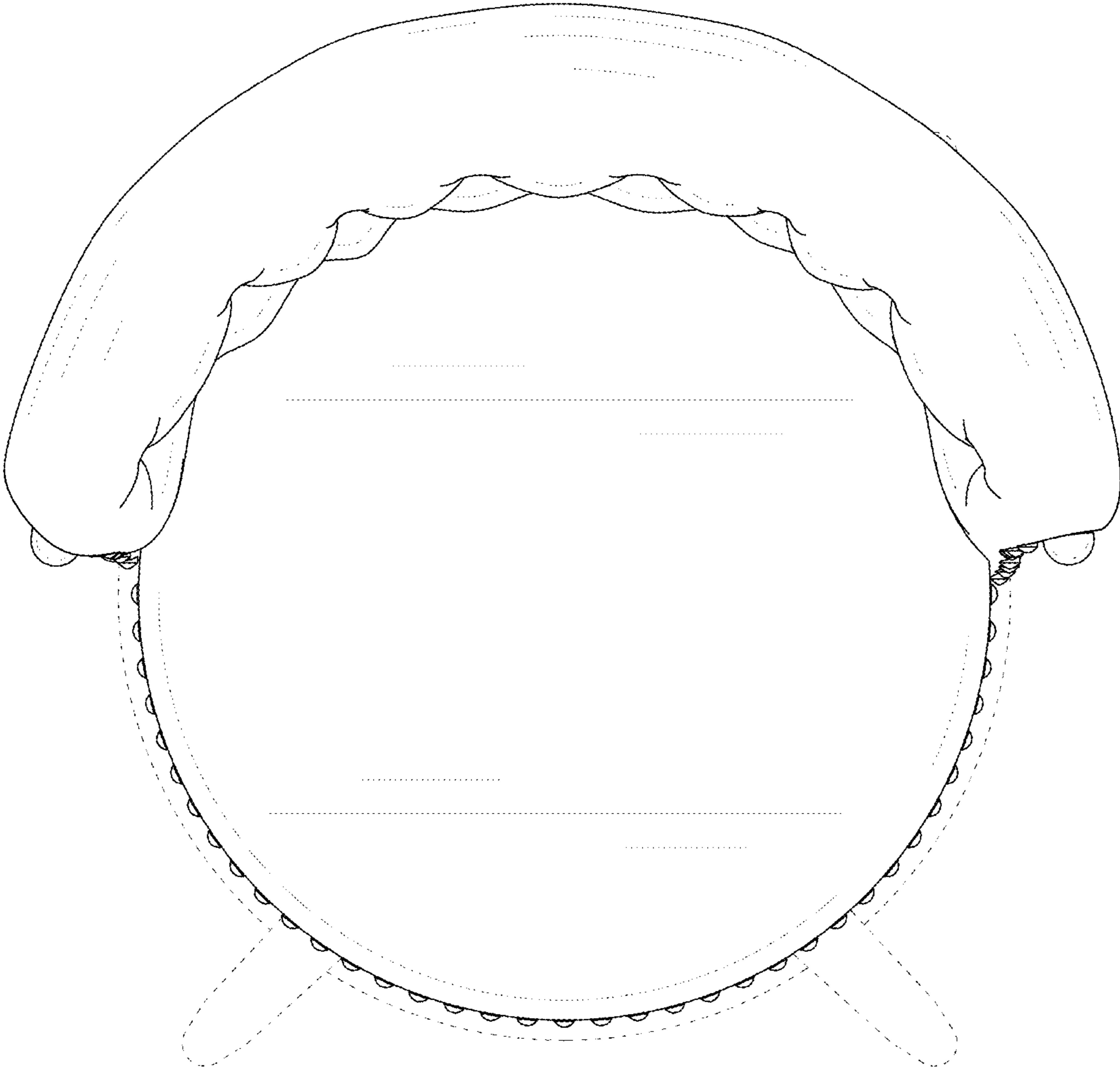


FIG. 7

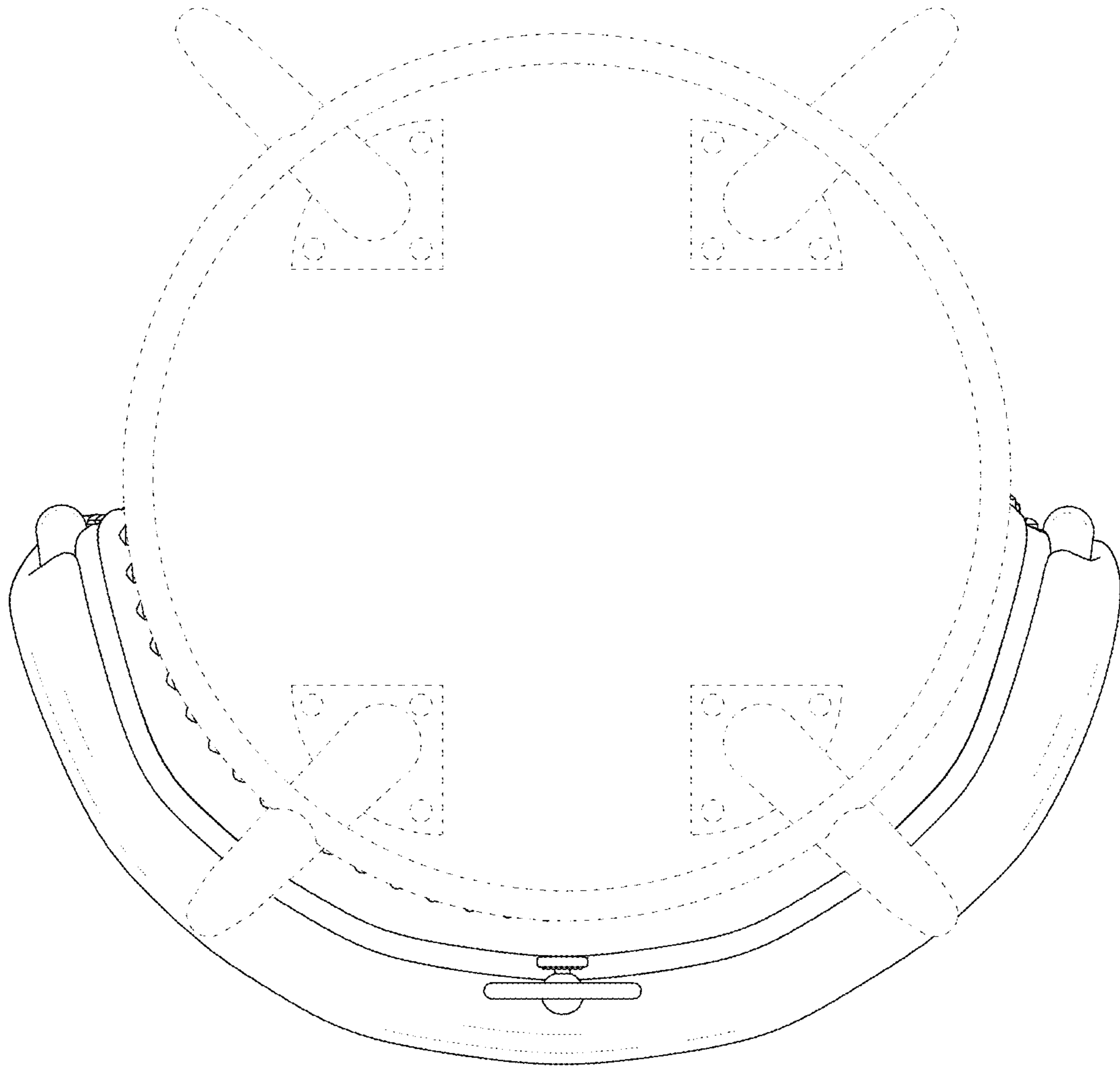


FIG. 8