



US00D984184S

(12) **United States Design Patent**
Aguiar

(10) **Patent No.:** **US D984,184 S**
(45) **Date of Patent:** **** Apr. 25, 2023**

(54) **BENCH**

D552,370 S * 10/2007 Ketcherside D6/381
D590,621 S * 4/2009 Pappas D6/381
D891,126 S * 7/2020 Skalka D6/381

(71) Applicant: **ImportLA, LLC**, Orange, CA (US)

(72) Inventor: **Rodney Aguiar**, Fullerton, CA (US)

(73) Assignee: **Import LA, LLC**, Orange, CA (US)

(**) Term: **15 Years**

(21) Appl. No.: **29/754,089**

(22) Filed: **Oct. 6, 2020**

(51) **LOC (14) Cl.** **06-06**

(52) **U.S. Cl.**

USPC **D6/716**

(58) **Field of Classification Search**

USPC D6/362, 366, 368, 374, 380, 702, 713,
D6/714, 716, 716.4, 716.5, 716.7, 716.8,
D6/334, 335, 344, 357, 372, 373, 375,
D6/376, 379, 381

CPC A47C 7/00; A47C 7/36; A47C 7/38; A47C
7/40; A47C 7/42; A47C 7/425; A47C
7/46; A47C 7/462

See application file for complete search history.

(56) **References Cited**

U.S. PATENT DOCUMENTS

D355,783 S * 2/1995 Noll D6/381
D365,455 S * 12/1995 Tolar D6/381
D418,326 S * 1/2000 Sexton D6/357
D458,043 S * 6/2002 Harper D6/381
D473,063 S * 4/2003 Pappas D6/381
D482,550 S * 11/2003 Kane D6/381
D492,132 S * 6/2004 Pappas D6/381

OTHER PUBLICATIONS

TATSoul Comfort Before Pain Bench, available in tatsoul.com, no date, site visited on Jan. 6, 2023, URL:https://www.tatsoul.com/products/tatsoul-comfort-before-pain-bench?variant=40242809798822&gclid=EAlalQobChMI98v7ifay_AIVh7ICh3kHAFrEAsY%E2%80%A6 (Year: 2023).*

Stainless Steel Bench, available in hitechinnovations.in, no date, site visited on Jan. 6, 2023, URL:https://www.hitechinnovations.in/stainless-steel-bench-stainless-steel-chair-manufacturers/ (Year: 2023).*

* cited by examiner

Primary Examiner — Mary Ann Calabrese

Assistant Examiner — Mark David Wolfley

(74) *Attorney, Agent, or Firm* — Anooj Patel; Kevin Schraven; Hankin Patent Law APC

(57) **CLAIM**

The ornamental design for a bench, as shown and described.

DESCRIPTION

FIG. 1 is a top perspective view of a bench, showing my new design.

FIG. 2 is a front elevational view thereof.

FIG. 3 is a rear elevational view thereof.

FIG. 4 is left-side elevational view thereof.

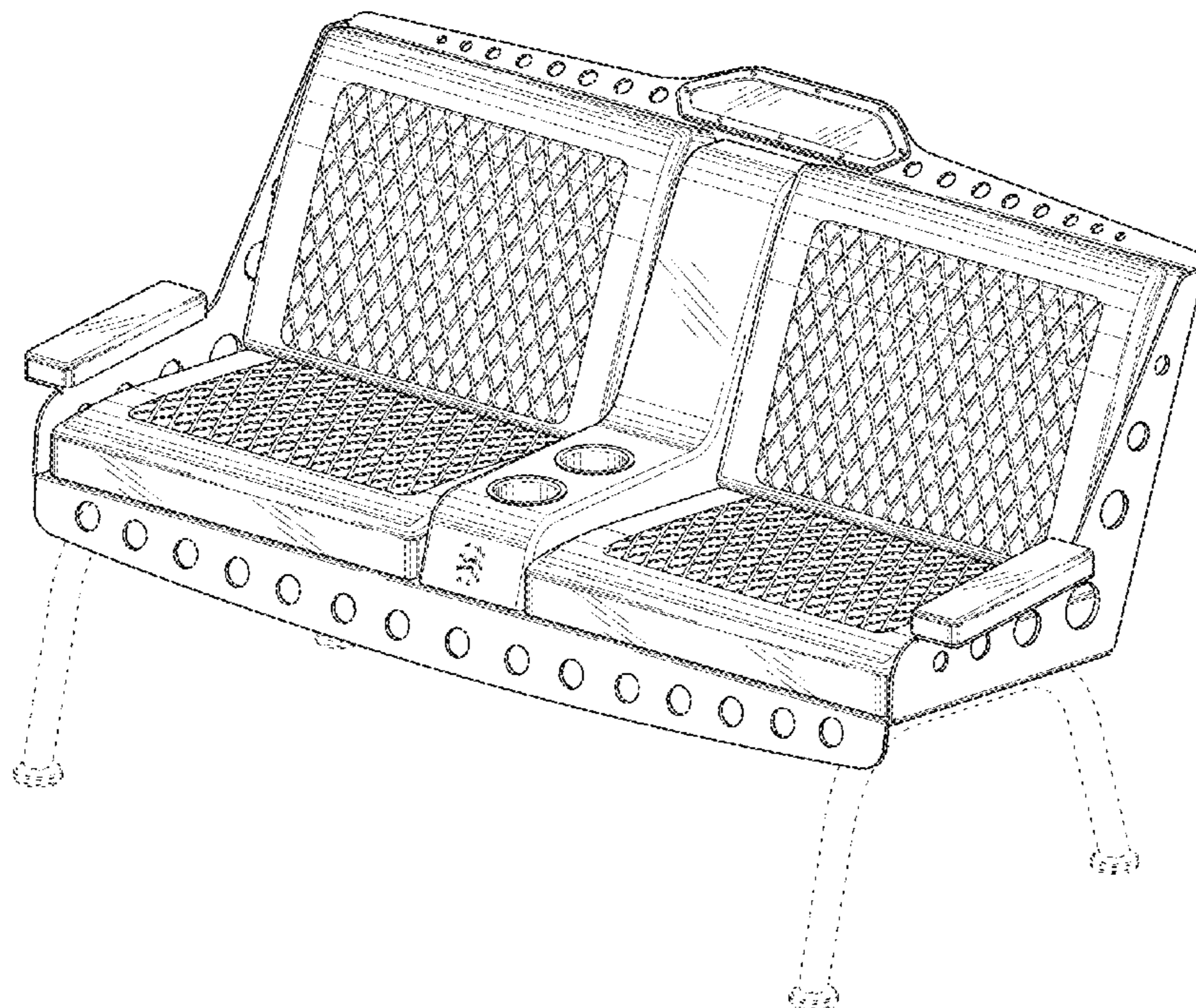
FIG. 5 is a right-side elevational view thereof.

FIG. 6 is a top plan view thereof; and,

FIG. 7 is a bottom plan view thereof.

The broken lines showing legs, fasteners, and electrical ports are for the purpose of illustrating unclaimed subject matter.

1 Claim, 7 Drawing Sheets



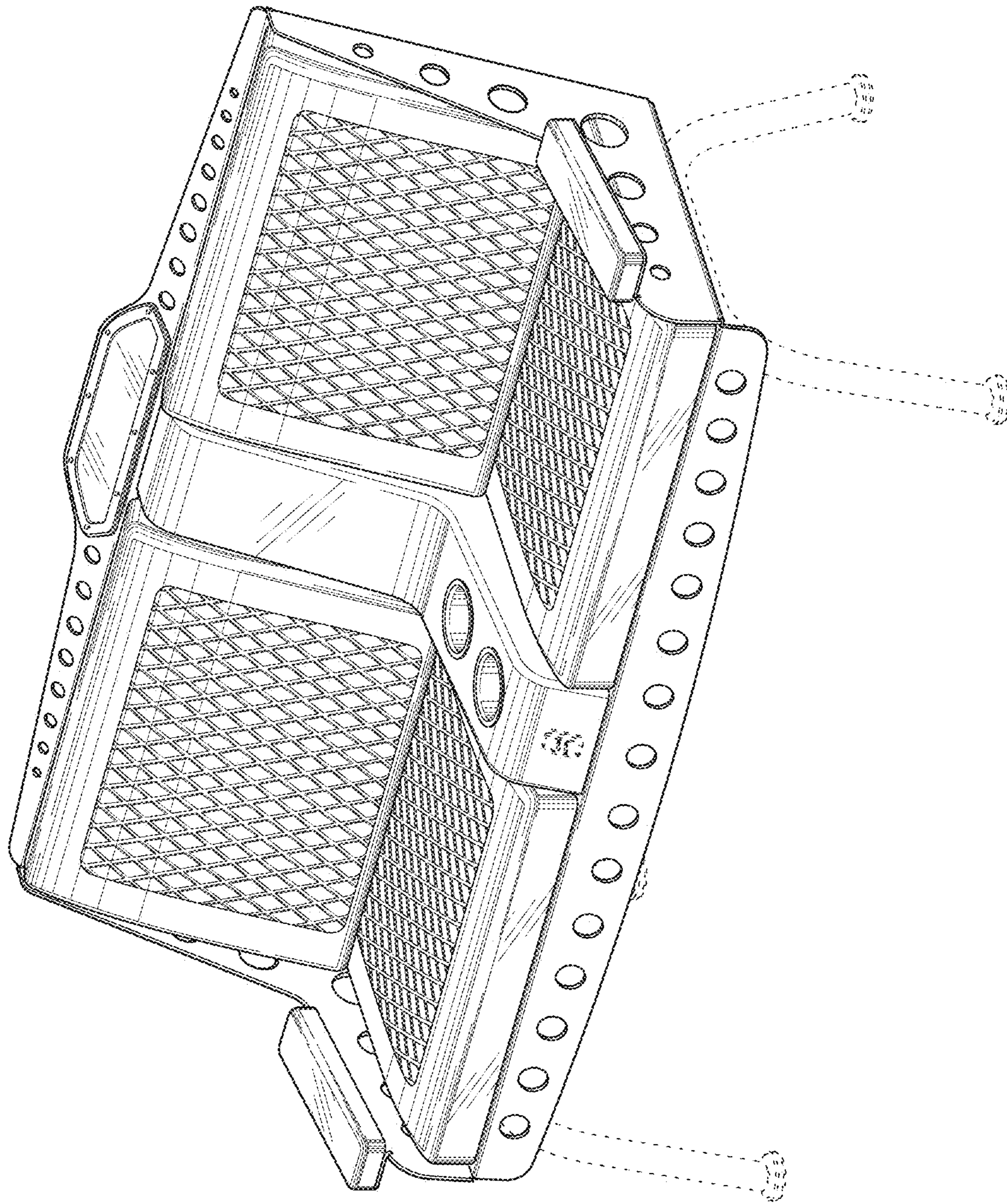


Fig. 1

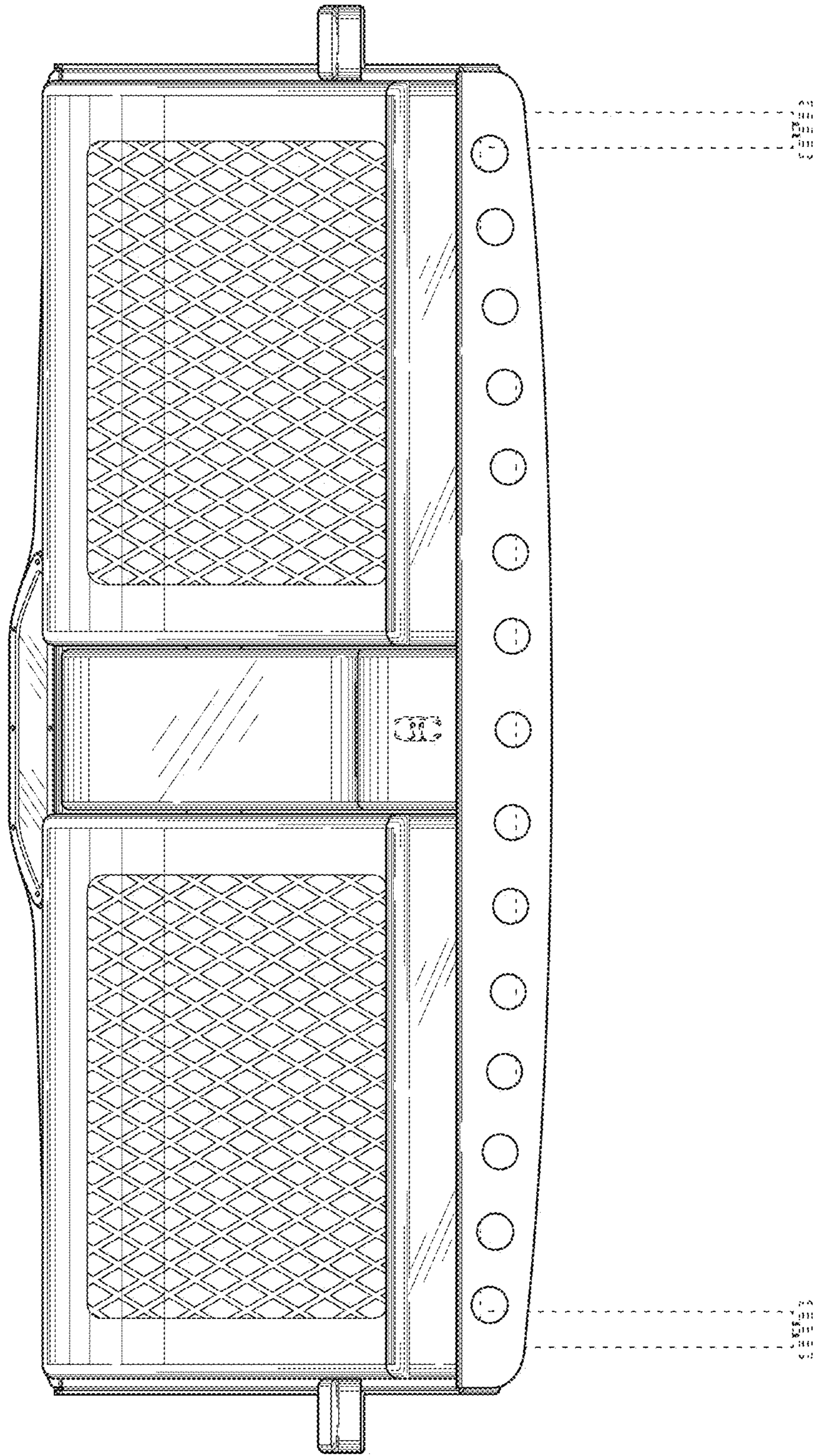


Fig. 2

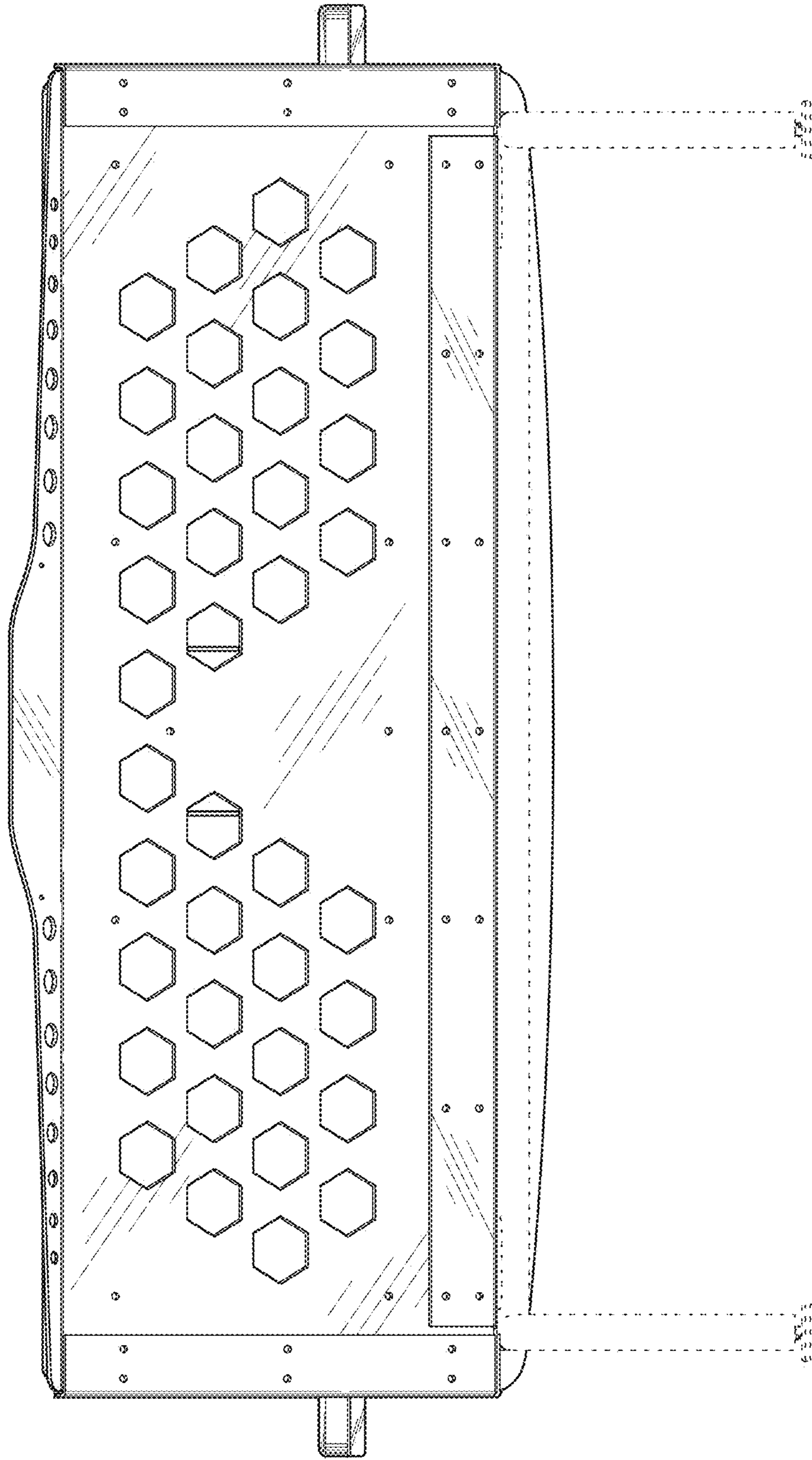


Fig.3

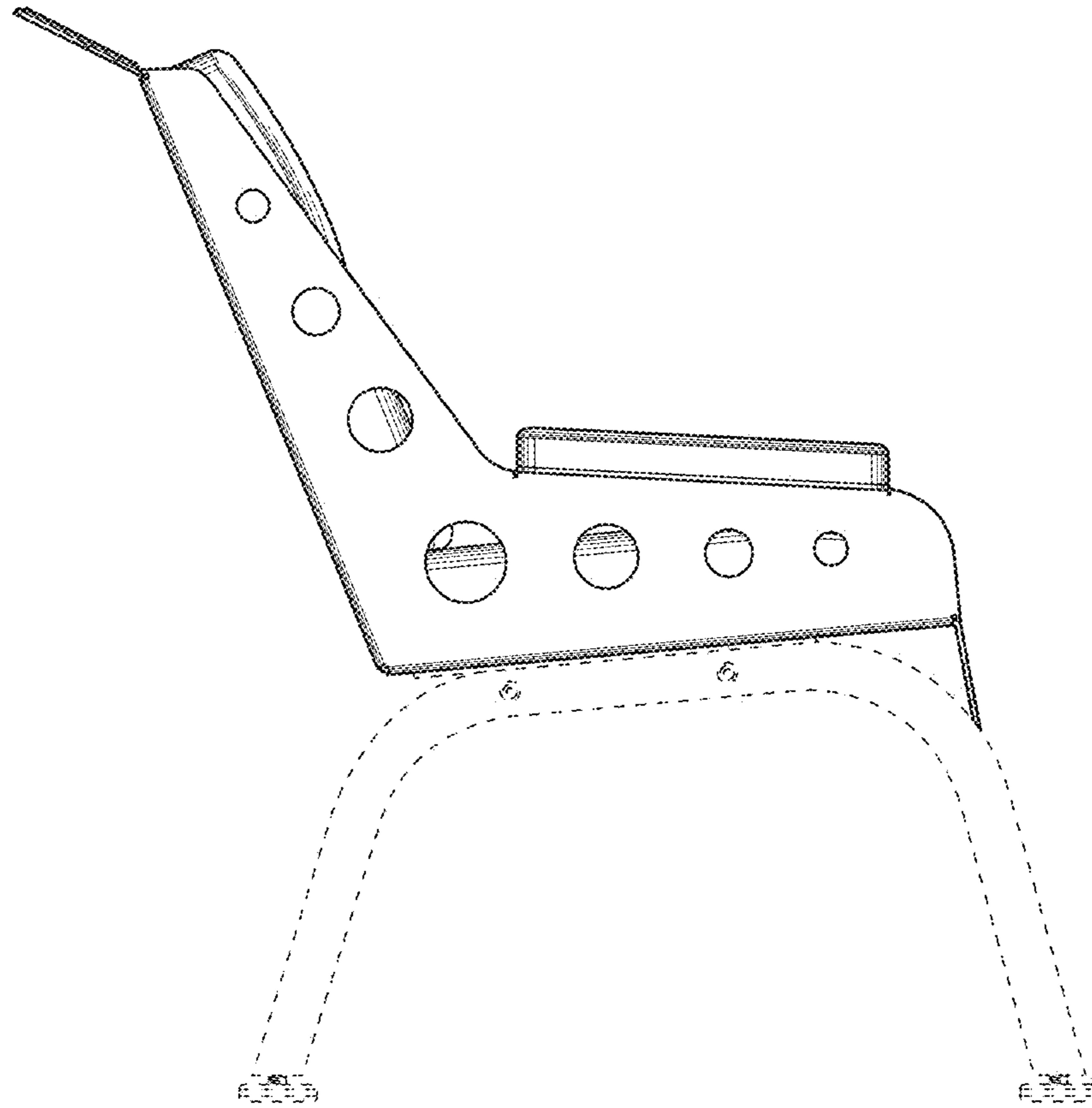


Fig.4

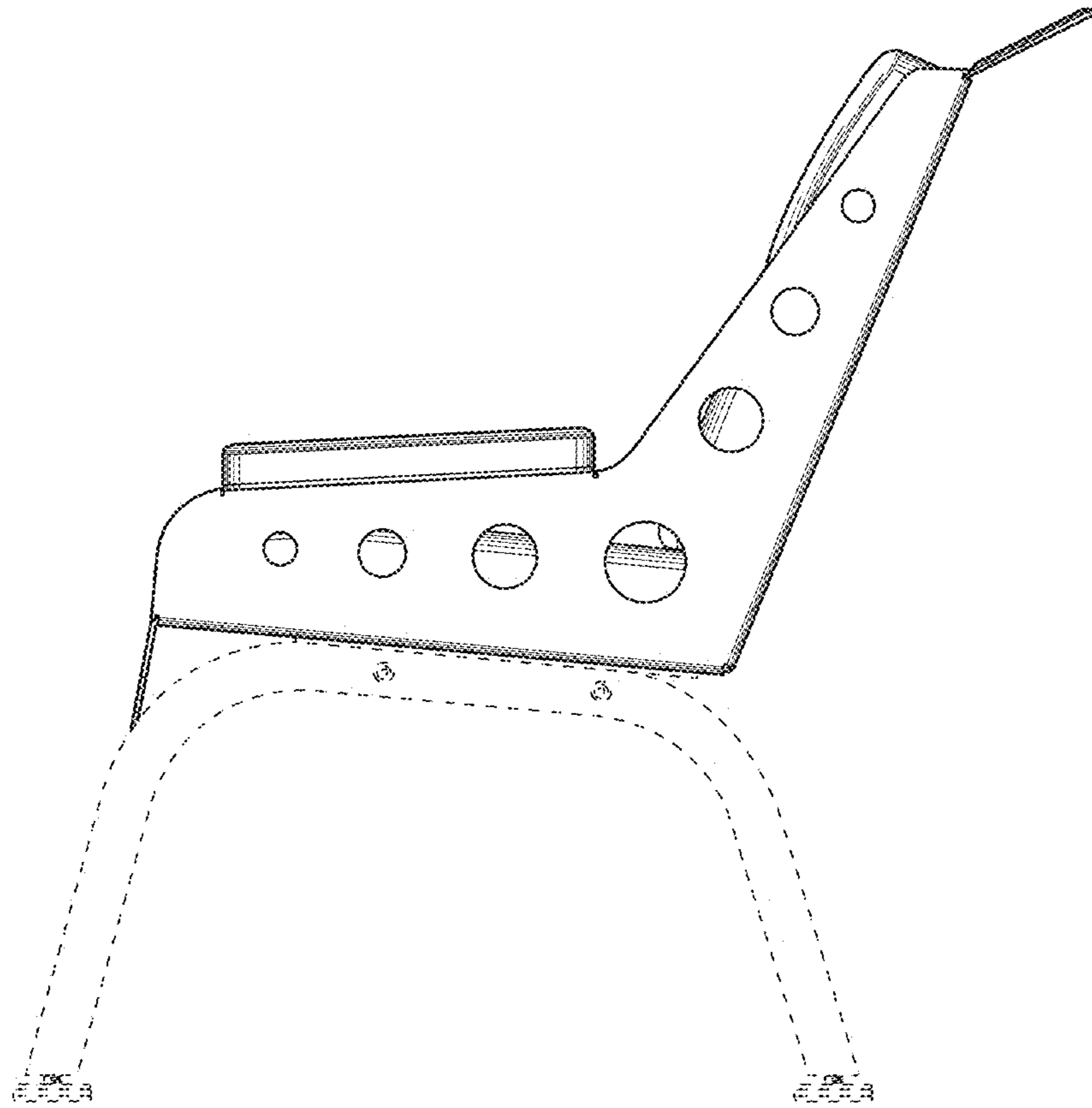


Fig.5

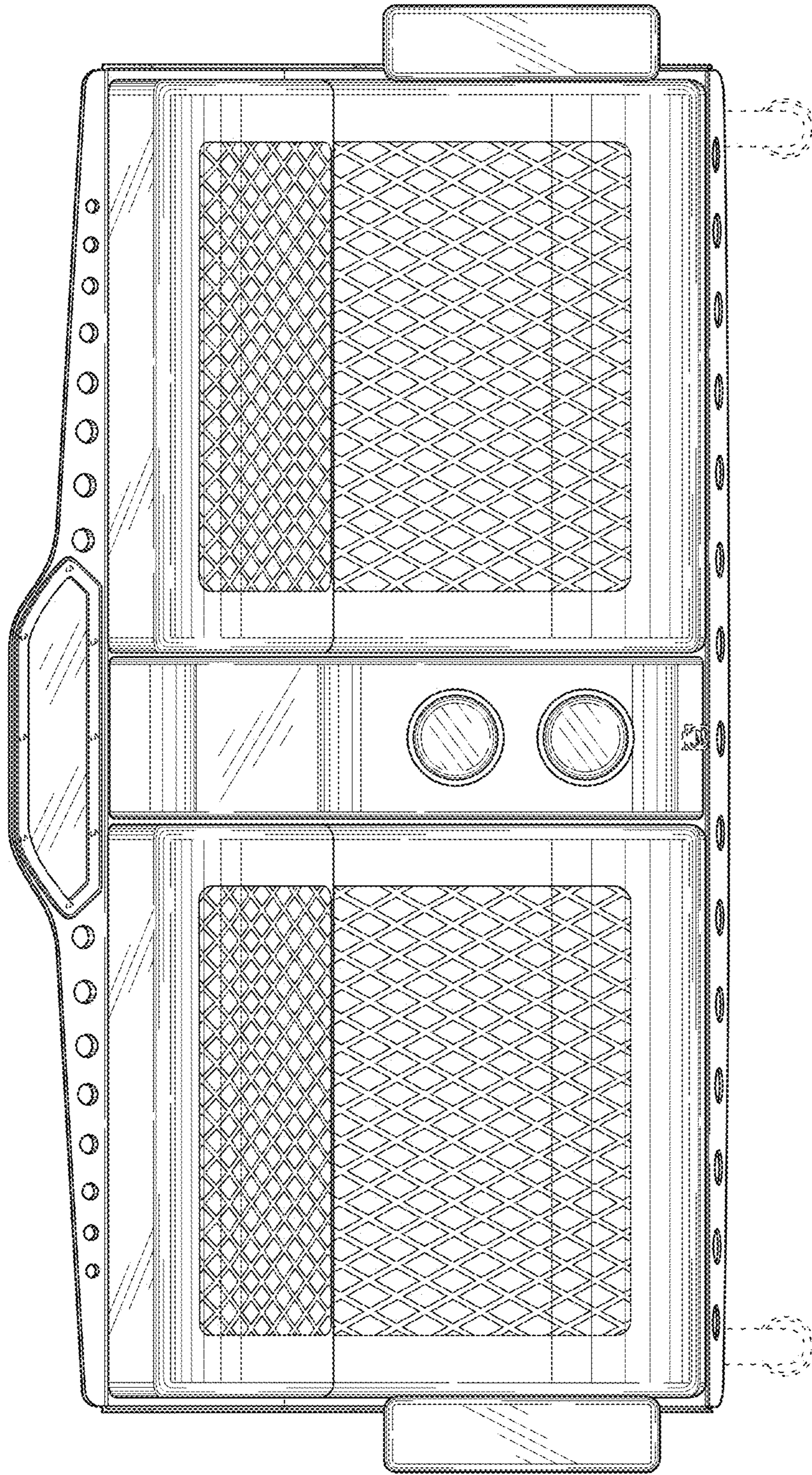


Fig. 6

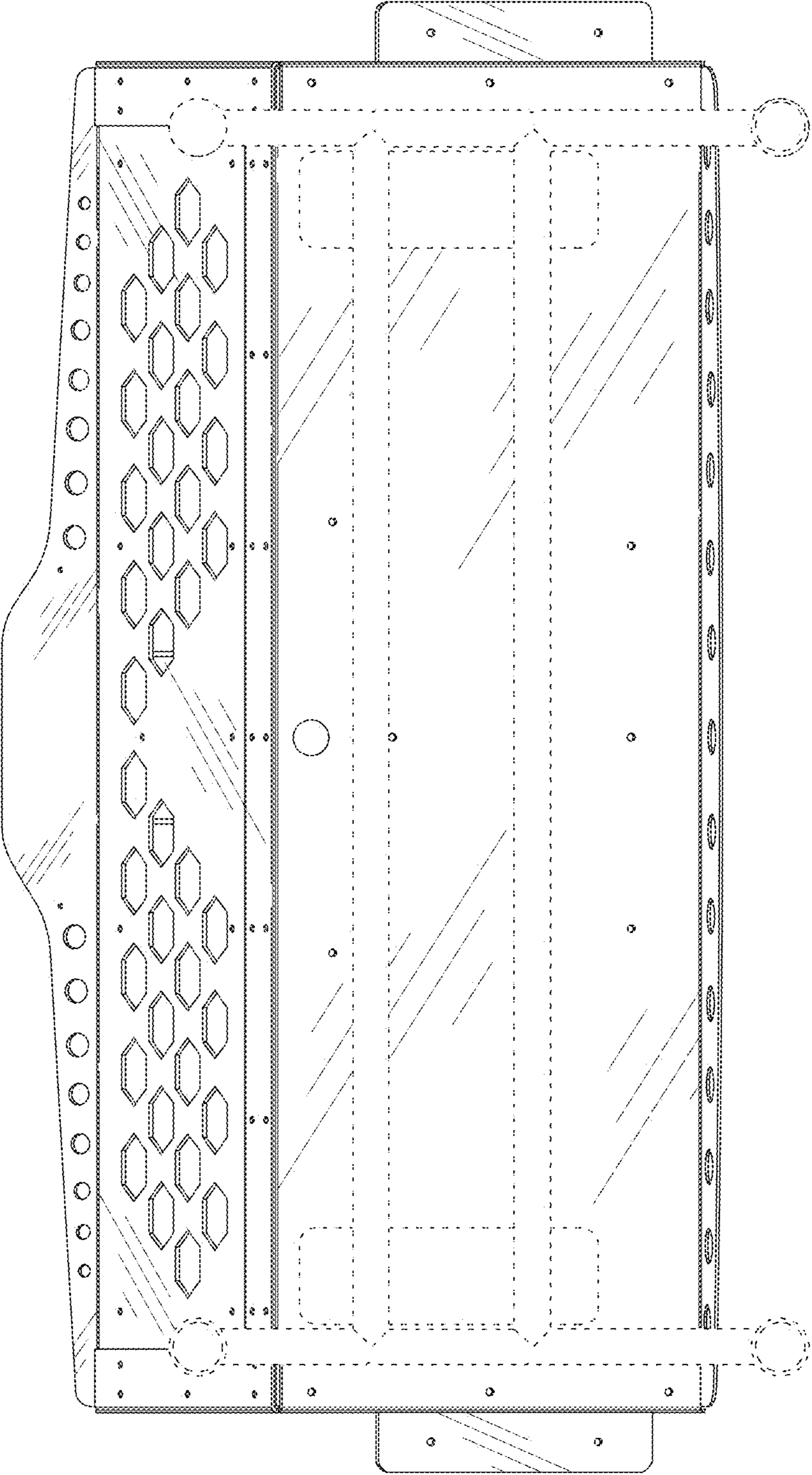


Fig. 7