



US00D984183S

(12) **United States Design Patent**
Molt

(10) **Patent No.:** **US D984,183 S**

(45) **Date of Patent:** **** Apr. 25, 2023**

(54) **DOUBLE WALLED LOCKER DOOR**

(71) Applicant: **Florence Corporation**, Manhattan, KS (US)

(72) Inventor: **Michael R. Molt**, Manhattan, KS (US)

(73) Assignee: **Florence Corporation**, Manhattan, KS (US)

(**) Term: **15 Years**

(21) Appl. No.: **29/824,823**

(22) Filed: **Jan. 27, 2022**

Related U.S. Application Data

(60) Division of application No. 29/716,982, filed on Dec. 13, 2019, now Pat. No. Des. 954,481, which is a continuation-in-part of application No. 16/427,715, filed on May 31, 2019, now Pat. No. 11,410,118.

(51) **LOC (14) Cl.** **06-06**

(52) **U.S. Cl.**
USPC **D6/703**

(58) **Field of Classification Search**
USPC D6/657, 662, 663, 664, 664.1, 667, 671, D6/671.1, 671.2, 671.3, 671.4, 703, D6/703.2, 703.4
CPC A47B 17/04; A47B 43/00; A47B 45/00; A47B 46/00; A47B 47/00; A47B 47/02; A47B 47/03; A47B 47/04; A47B 47/042; A47B 47/05; A47B 57/00; A47B 47/045; A47B 47/047; A47B 67/00; A47B 81/00; A47B 67/005; A47B 67/02; E05B 65/025
See application file for complete search history.

(56) **References Cited**

U.S. PATENT DOCUMENTS

1,438,547 A 12/1922 O'Connor
1,585,689 A * 5/1926 Piggot E05B 65/025
292/54

2,188,703 A * 1/1940 Burke E05B 65/025
292/DIG. 68

2,443,515 A 6/1948 Rockwell
2,498,508 A * 2/1950 Rudolph E05B 65/025
292/49

2,595,473 A * 5/1952 O'Connor E05B 65/025
312/351

2,821,425 A * 1/1958 Leon E05B 65/025
428/581

3,367,698 A * 2/1968 Walker, Sr. E05B 65/025
292/188

D300,097 S * 3/1989 Cook D6/703
5,385,265 A 1/1995 Schlamp

(Continued)

FOREIGN PATENT DOCUMENTS

WO 2017/163018 9/2017

Primary Examiner — Mimoso De

(74) *Attorney, Agent, or Firm* — Leydig, Voit & Mayer, Ltd

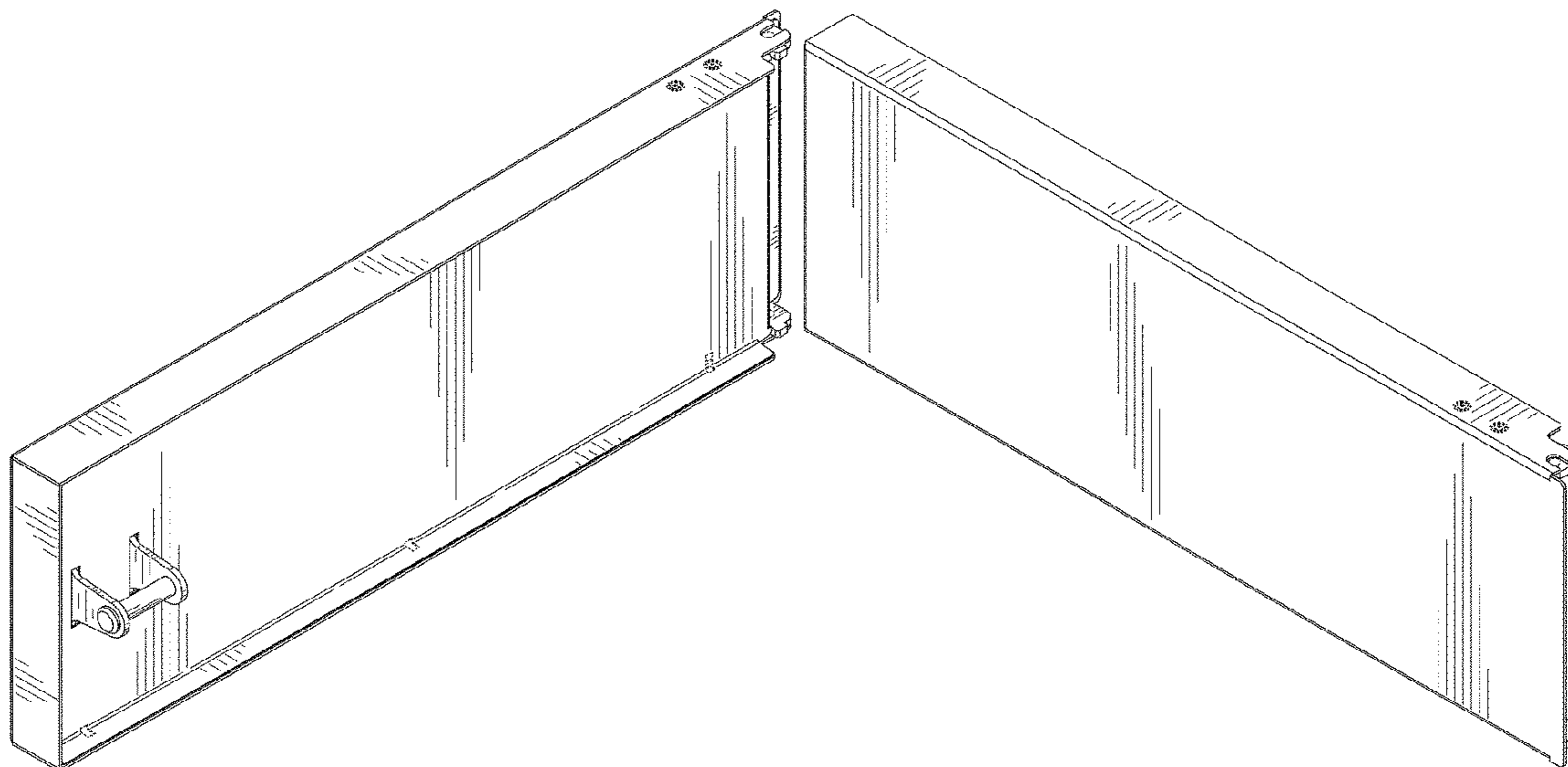
(57) **CLAIM**

The ornamental design of a double walled locker door, as shown.

DESCRIPTION

FIG. 1 is a rear perspective view of a double walled locker door showing my new design;
FIG. 2 is a rear view thereof;
FIG. 3 is a front view thereof;
FIG. 4 is a bottom view thereof;
FIG. 5 is a top view thereof;
FIG. 6 is a right side view thereof;
FIG. 7 is a left side view thereof; and,
FIG. 8 is a front perspective view thereof.
The shading in the drawings represent planar surfaces.
The broken lines shown in the drawings are for illustrating environmental structure and form no part of the claimed design.

1 Claim, 5 Drawing Sheets



(56)

References Cited

U.S. PATENT DOCUMENTS

5,802,801	A *	9/1998	Hohns	E05B 65/025 428/595	2011/0125664	A1	5/2011	Kadaba
6,456,981	B1	9/2002	Dejaeger et al.		2011/0144798	A1	6/2011	Freudelsperger
6,789,859	B1	9/2004	Ho		2012/0130916	A1	5/2012	Neal et al.
7,099,038	B2	8/2006	Schuller		2012/0194043	A1	8/2012	Turner et al.
8,589,310	B2	11/2013	Mayer et al.		2012/0306617	A1	12/2012	Tung
9,082,247	B2	7/2015	Turner et al.		2013/0144428	A1	6/2013	Irwin et al.
D735,507	S	8/2015	Schärer et al.		2013/0159194	A1	6/2013	Habib
D745,795	S *	12/2015	Luo	D6/703	2013/0198101	A1	8/2013	Beckerle et al.
9,223,315	B2	12/2015	Irwin et al.		2013/0261792	A1	10/2013	Gupta et al.
9,547,962	B2	1/2017	Motoyama		2013/0286046	A1	10/2013	Rodriguez
9,604,258	B2	3/2017	Layne et al.		2013/0307382	A1	11/2013	Garrison
9,604,259	B2	3/2017	Lossov et al.		2013/0337890	A1	12/2013	Earley et al.
9,715,780	B2	7/2017	Garrison		2013/0338822	A1	12/2013	Gibson, Jr. et al.
D864,515	S	10/2019	Hirvesaar		2014/0114875	A1	4/2014	Murthy et al.
D881,503	S	4/2020	Hirvesaar		2014/0120901	A1	5/2014	Ward et al.
10,621,811	B2	4/2020	Tovey et al.		2014/0279666	A1	9/2014	Lievens et al.
D954,481	S *	6/2022	Molt	D6/703	2014/0316916	A1	10/2014	Hay
2002/0035515	A1	3/2002	Moreno		2014/0330603	A1	11/2014	Corder et al.
2002/0054370	A1	5/2002	Hara		2014/0373184	A1	12/2014	Mahaffey et al.
2002/0130172	A1	9/2002	Hara		2015/0081583	A1	3/2015	Butler et al.
2002/0177922	A1	11/2002	Bloom		2015/0091693	A1	4/2015	Bibeau et al.
2003/0025590	A1	2/2003	Gokcebay et al.		2015/0120601	A1	4/2015	Fee
2003/0195696	A1	10/2003	Jones		2015/0133051	A1	5/2015	Jamal-Syed et al.
2007/0296579	A1	12/2007	Mayer et al.		2015/0186840	A1	7/2015	Torres et al.
2008/0082257	A1	4/2008	Lee		2015/0356801	A1	12/2015	Nitu et al.
2010/0057580	A1	3/2010	Raghunathan		2016/0106291	A1	4/2016	Eun et al.
2010/0197293	A1	8/2010	Shem-Tov		2018/0033235	A1	2/2018	Dotterweich et al.
2010/0203831	A1	8/2010	Muth		2018/0182189	A1	6/2018	Lakshmi-Ratan et al.
					2019/0114585	A1	4/2019	Fee et al.
					2019/0114859	A1	4/2019	Fee et al.
					2019/0370744	A1	12/2019	Fee et al.
					2020/0066086	A1	2/2020	Fee et al.

* cited by examiner

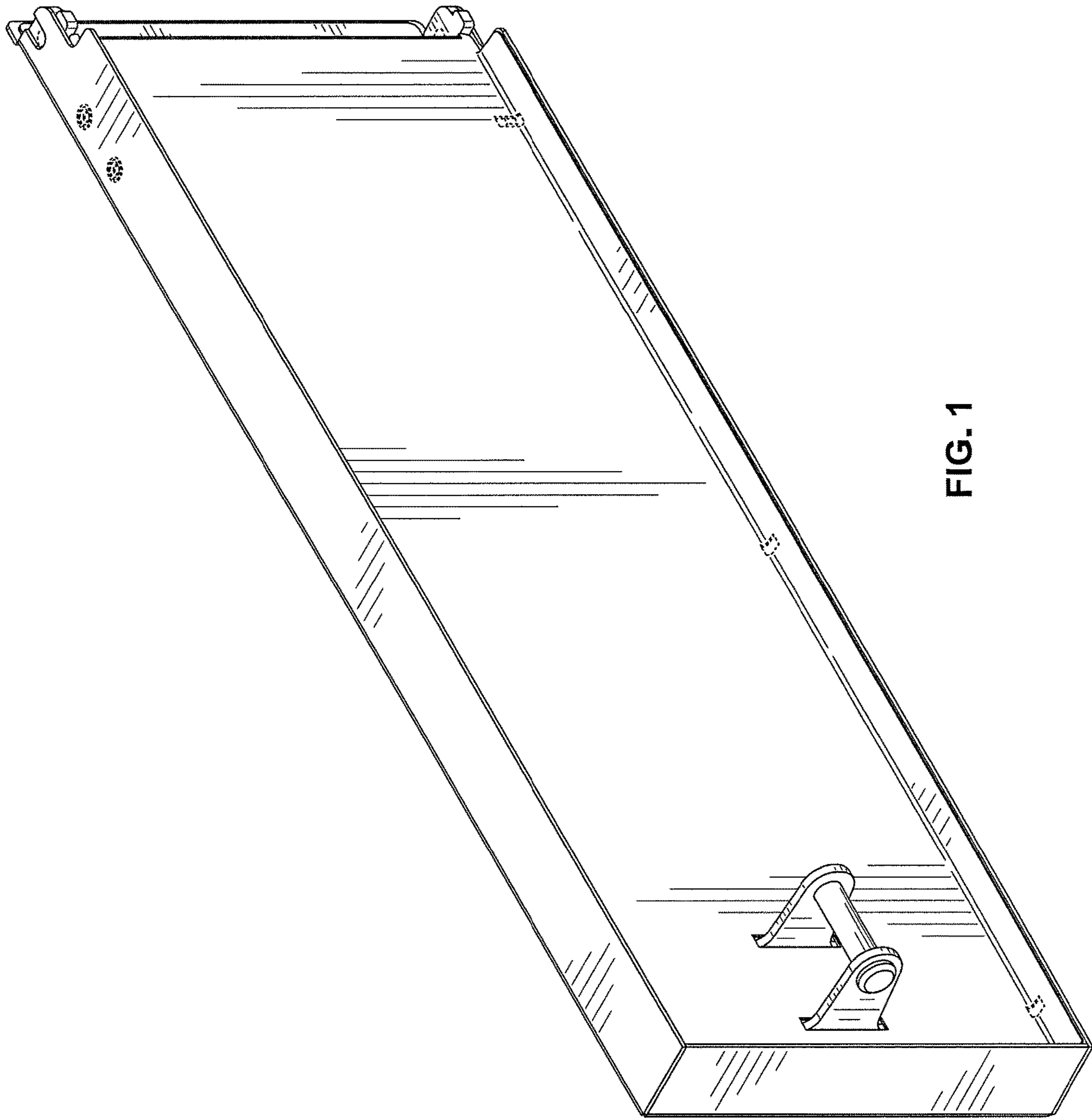


FIG. 1

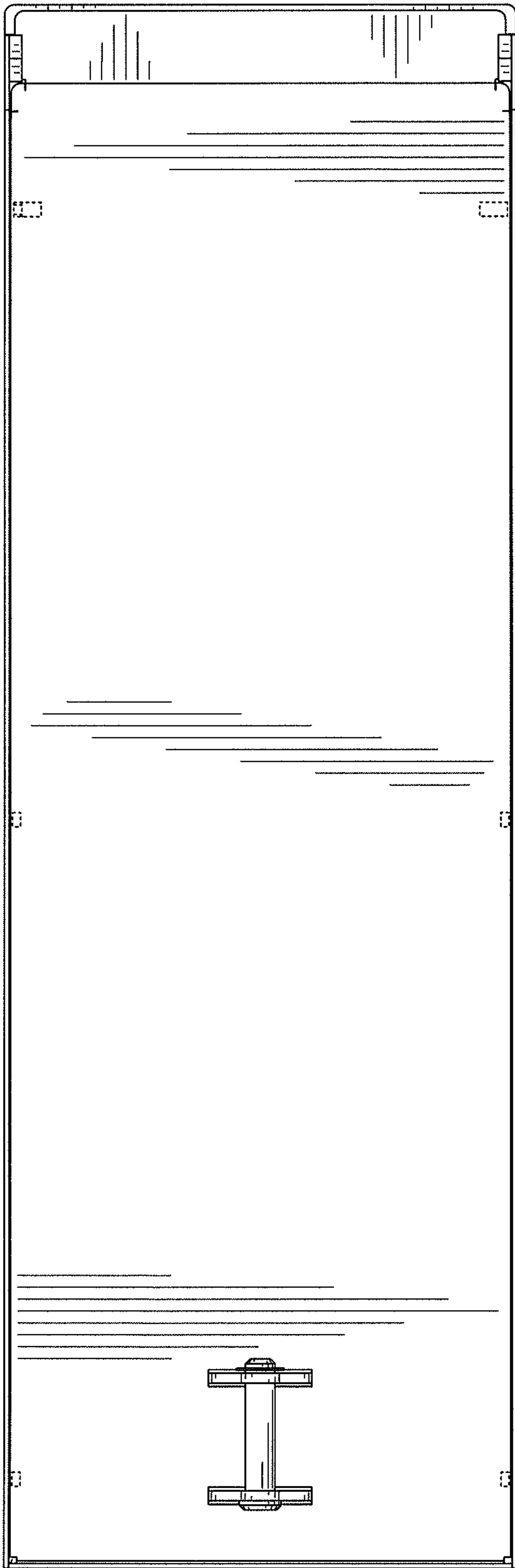


FIG. 2

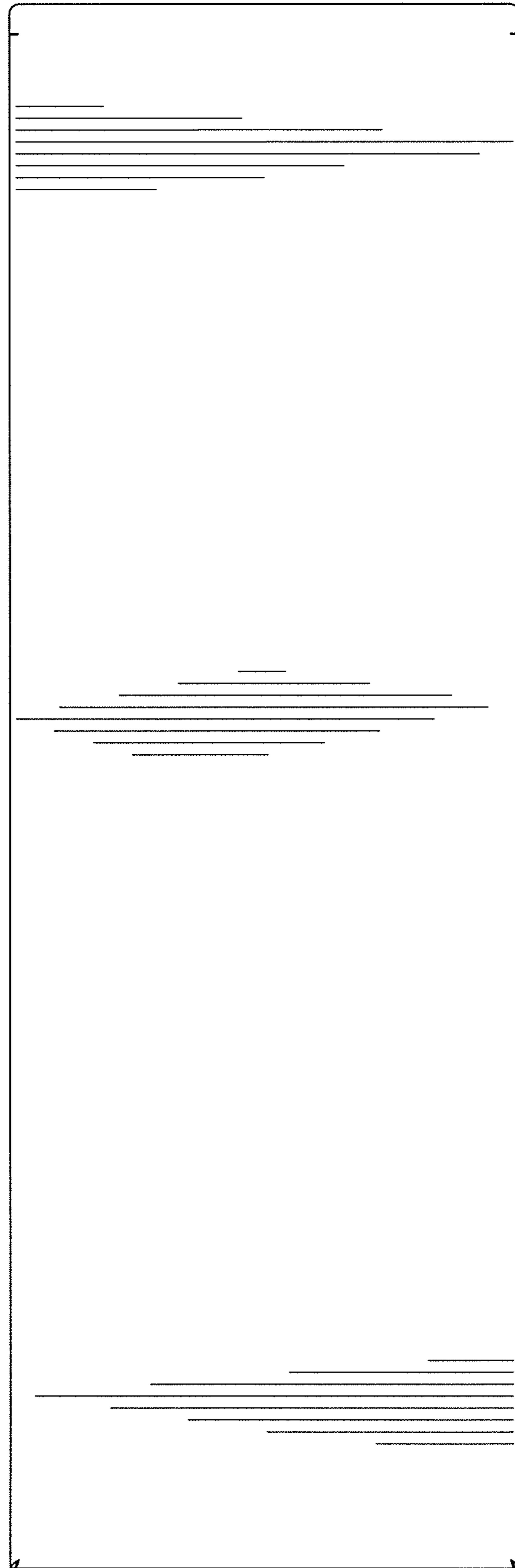
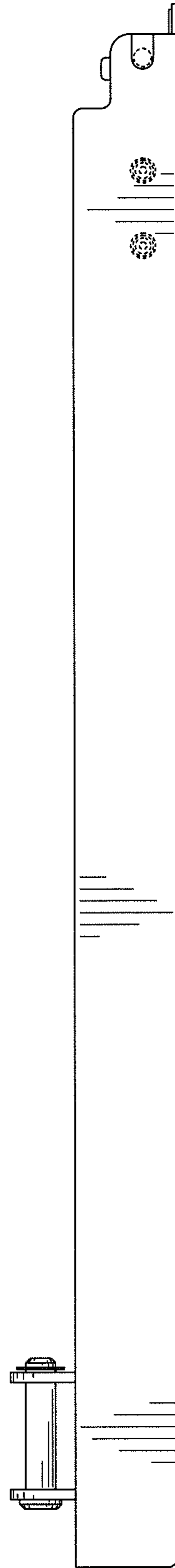
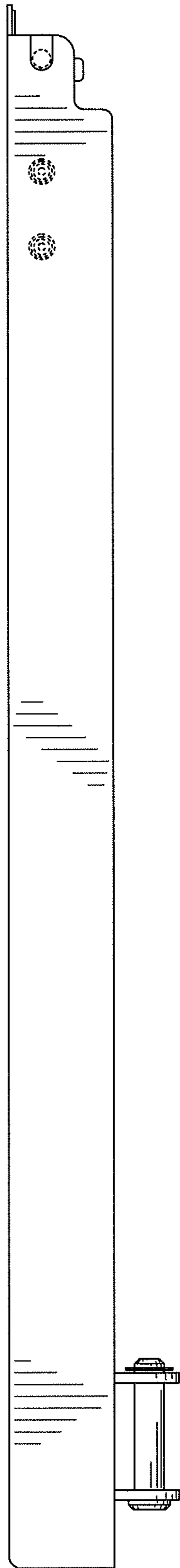


FIG. 3



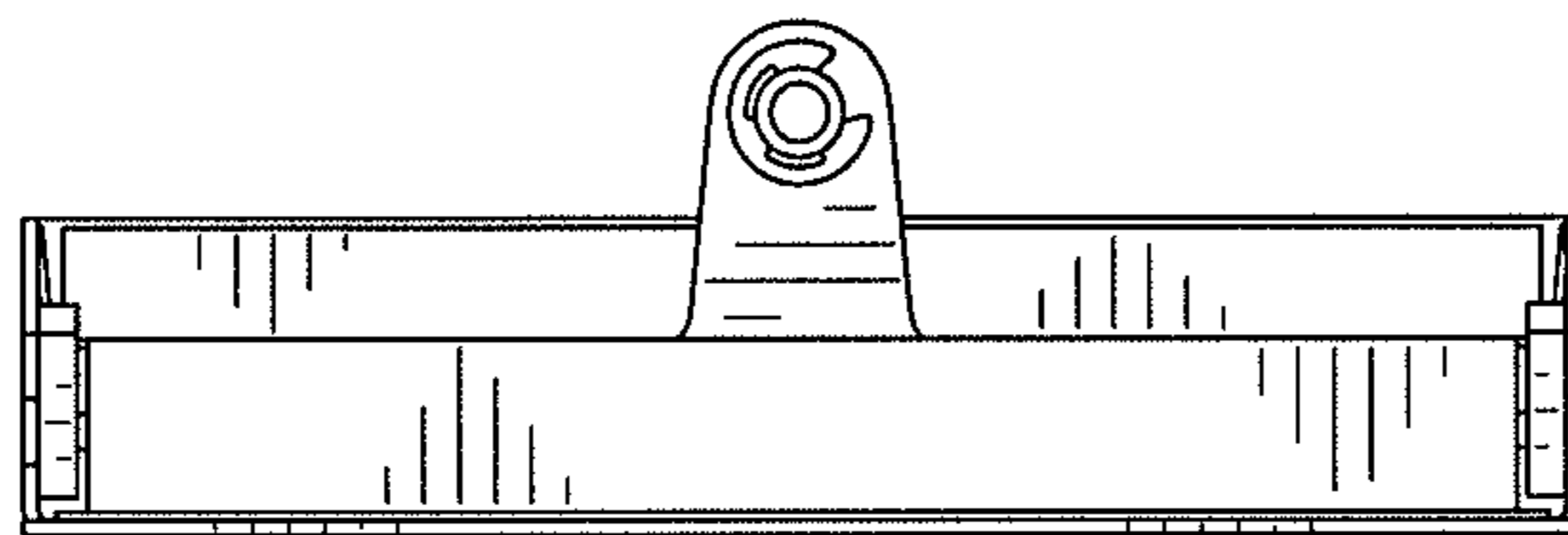


FIG. 6

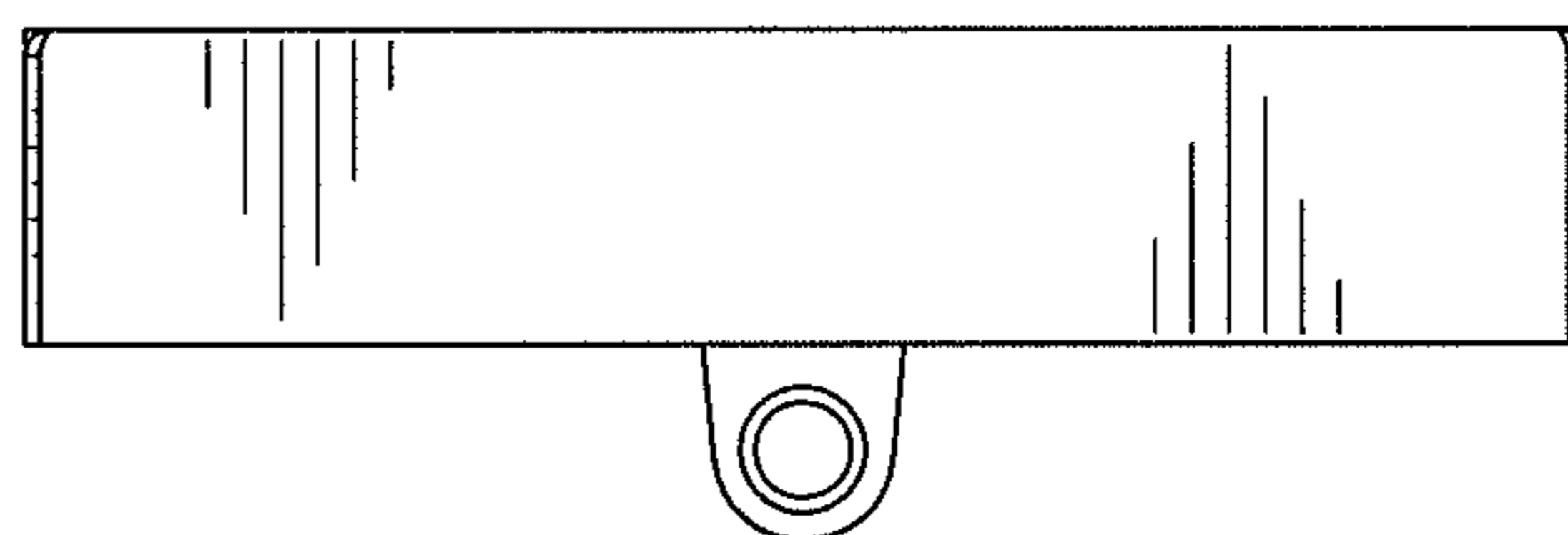


FIG. 7

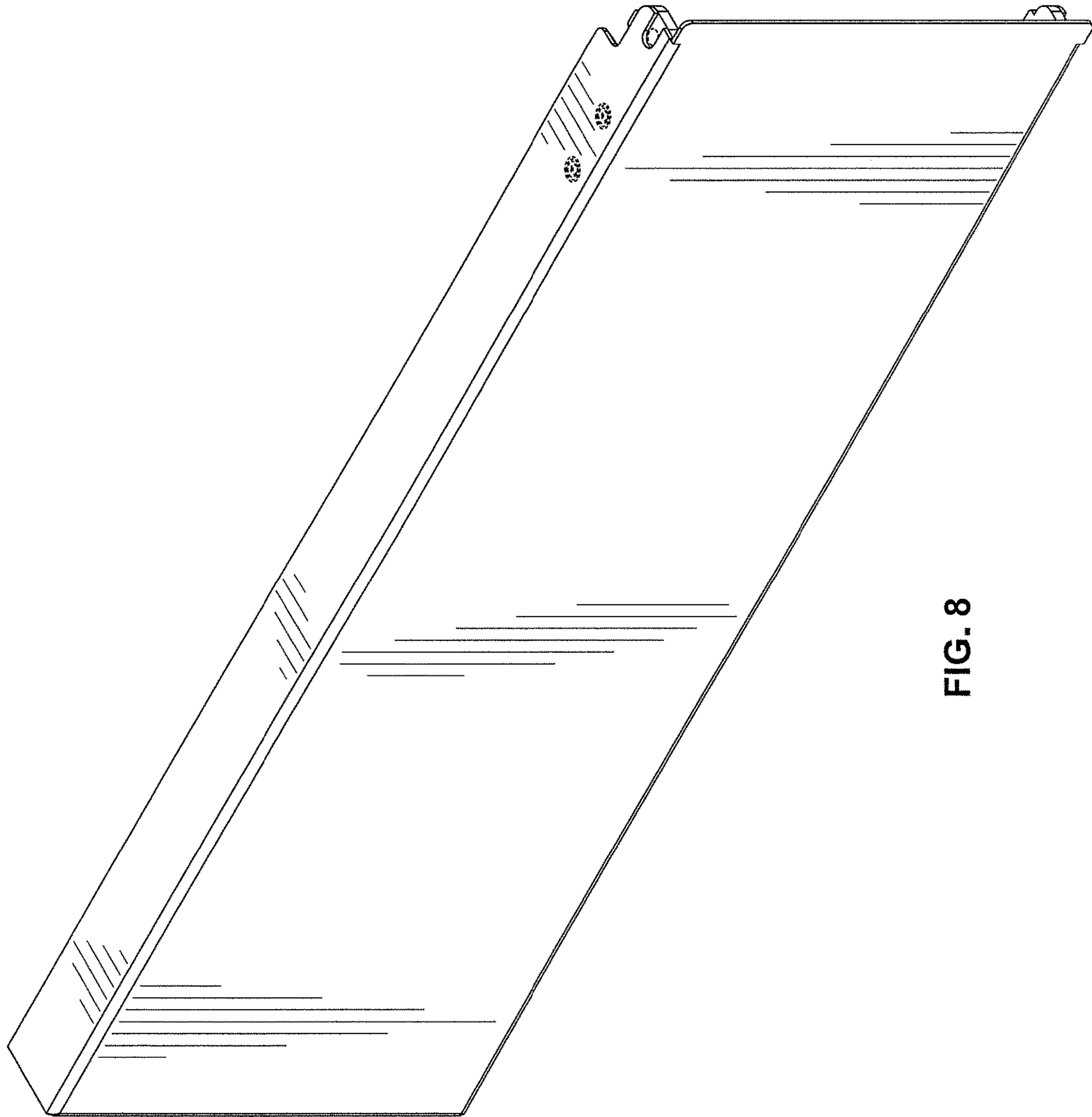


FIG. 8