



US00D984181S

(12) **United States Design Patent** (10) **Patent No.:** **US D984,181 S**  
**Bergsma et al.** (45) **Date of Patent:** **\*\* Apr. 25, 2023**

(54) **CONVERTIBLE BOOKCASE** 5,487,599 A \* 1/1996 Weisburn ..... A47B 87/02  
 211/163  
 (71) Applicant: **MiEN Company**, Grand Rapids, MI D381,547 S \* 7/1997 Kelley, Jr. .... D6/675.1  
 (US) D431,936 S \* 10/2000 Moen ..... D6/678.1  
 D496,545 S \* 9/2004 McDiarmid ..... D6/675.1  
 (72) Inventors: **Remco Bergsma**, Grand Rapids, MI D657,590 S \* 4/2012 Looser ..... D6/675.1  
 (US); **Nathan Warwick**, Grand Rapids, MI D909,102 S \* 2/2021 Davis ..... D6/675.1  
 MI (US) D938,763 S \* 12/2021 Lin ..... D6/675.1  
 D951,685 S \* 5/2022 Tingler ..... D6/675.1  
 D974,808 S \* 1/2023 Chen ..... D6/675.1

(\*\*) Term: **15 Years**

\* cited by examiner

(21) Appl. No.: **29/774,975**

*Primary Examiner* — Kelley A Donnelly

(22) Filed: **Mar. 19, 2021**

(74) *Attorney, Agent, or Firm* — Oppenhuizen Law PLC;  
David L. Oppenhuizen

(51) **LOC (14) Cl.** ..... **06-06**

(52) **U.S. Cl.**  
USPC ..... **D6/675.1**

(57) **CLAIM**

(58) **Field of Classification Search**  
USPC ..... D6/672, 675, 675.1, 682, 691  
CPC ..... A47F 1/00; A47F 5/0018; A47F 5/0043;  
A47B 96/00; A47B 96/02; A47B 47/00;  
A47B 47/021

The ornamental design for a convertible bookcase, as shown and described.

See application file for complete search history.

**DESCRIPTION**

(56) **References Cited**

FIG. 1 is a front perspective view of a convertible bookcase showing the new design;  
FIG. 2 is a left side view, the right side view being a mirror thereof;  
FIG. 3 is a front view, the rear view being a mirror thereof;  
FIG. 4 is a top view; and,  
FIG. 5 is a bottom view.

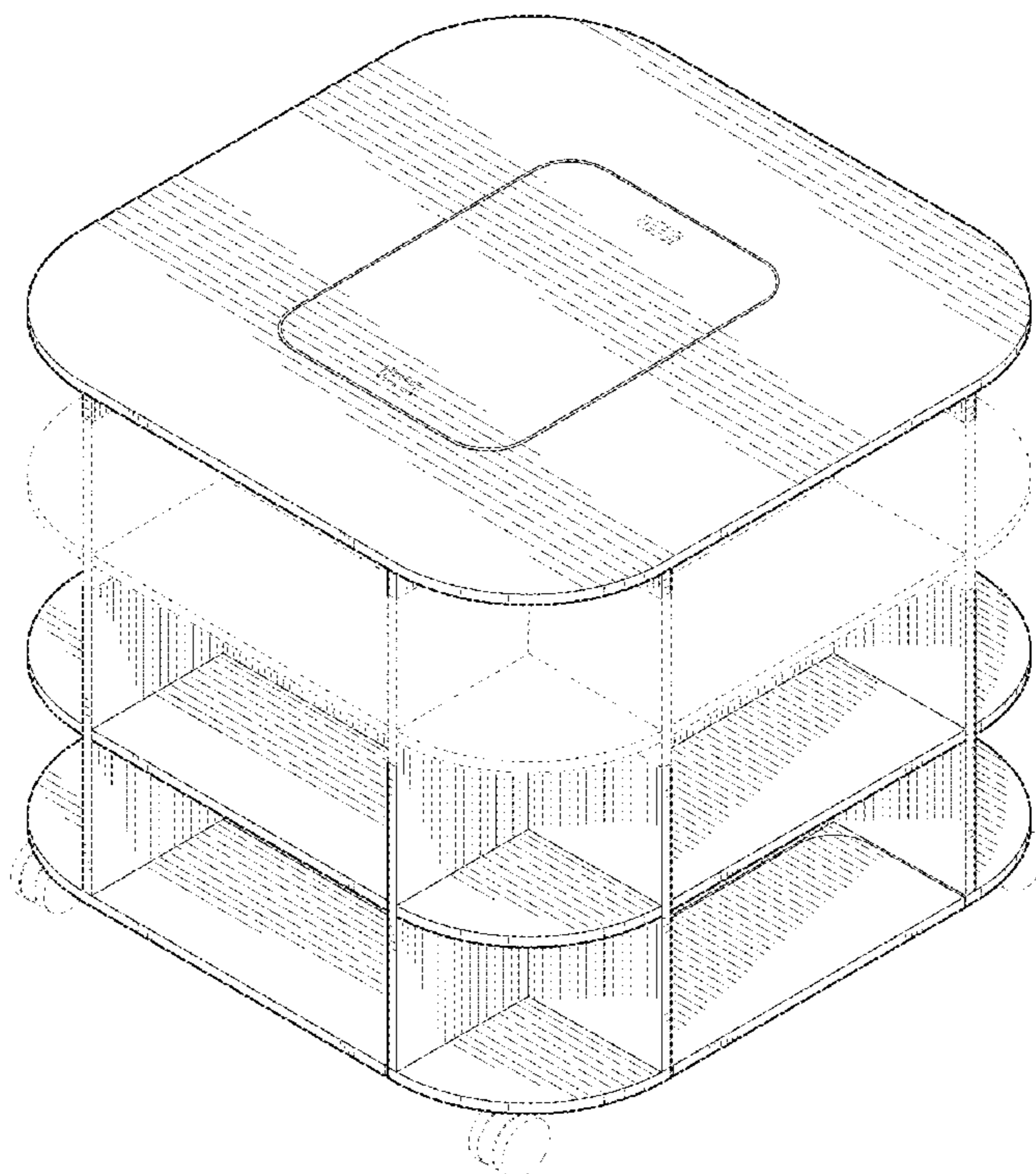
U.S. PATENT DOCUMENTS

D224,497 S \* 8/1972 Lauer ..... D6/407  
 D233,375 S \* 10/1974 Berkman ..... D6/407  
 D255,194 S \* 6/1980 Cohen ..... D6/675.1  
 D284,533 S \* 7/1986 Berry, Jr. .... D6/672  
 D301,421 S \* 6/1989 Turley ..... D6/675.1  
 D311,289 S \* 10/1990 Wilson ..... D6/675.1  
 D332,359 S \* 1/1993 Ossip ..... D6/675.1  
 5,346,079 A \* 9/1994 Price, Jr. .... G11B 23/0236  
 211/41.12

The broken lines shown in the drawings are for the purpose of illustrating portions of the article and form no part of the claimed design.

The surface shading is intended to depict surface contour and forms no part of the claimed design.

**1 Claim, 5 Drawing Sheets**



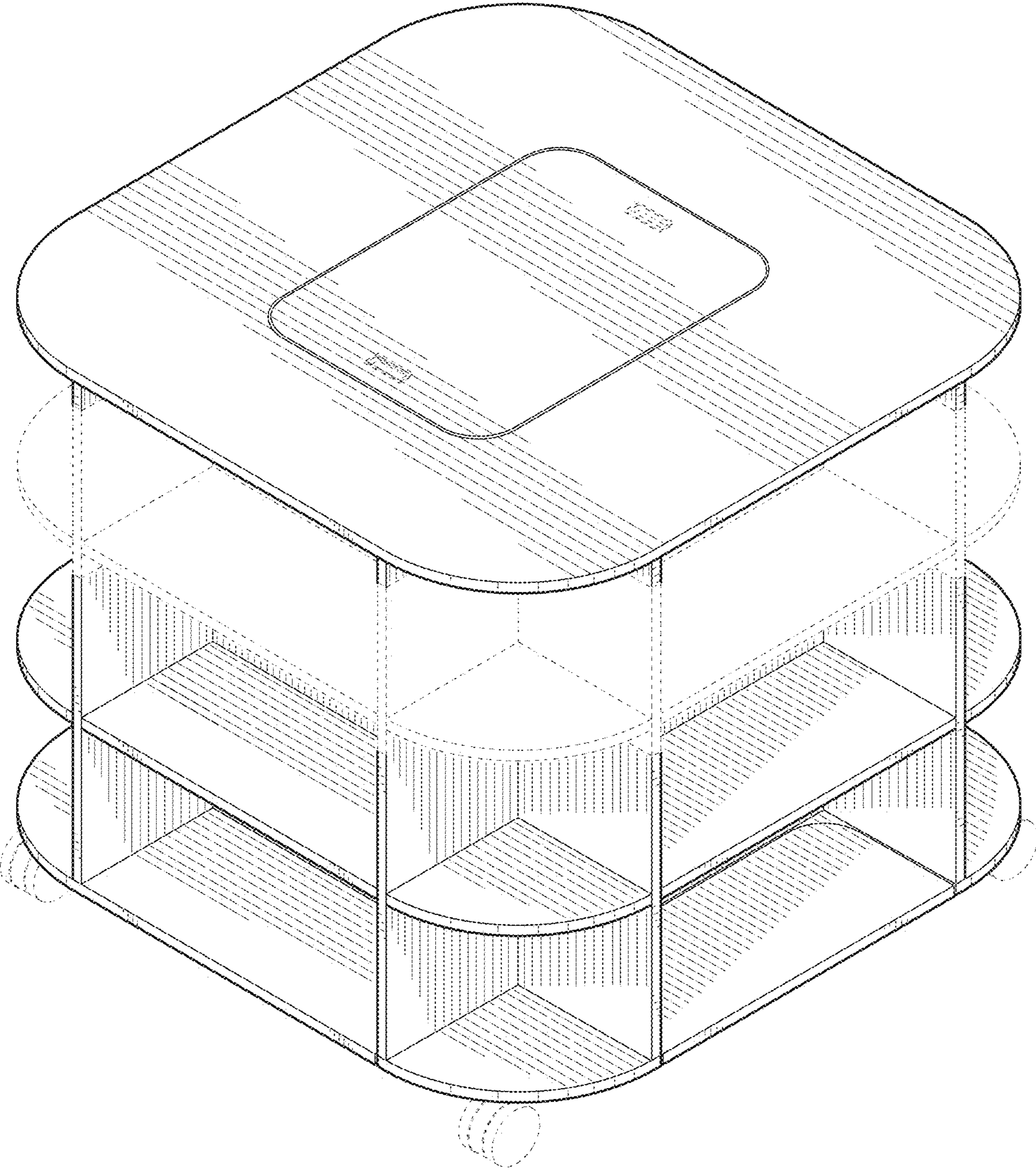


Fig. 1

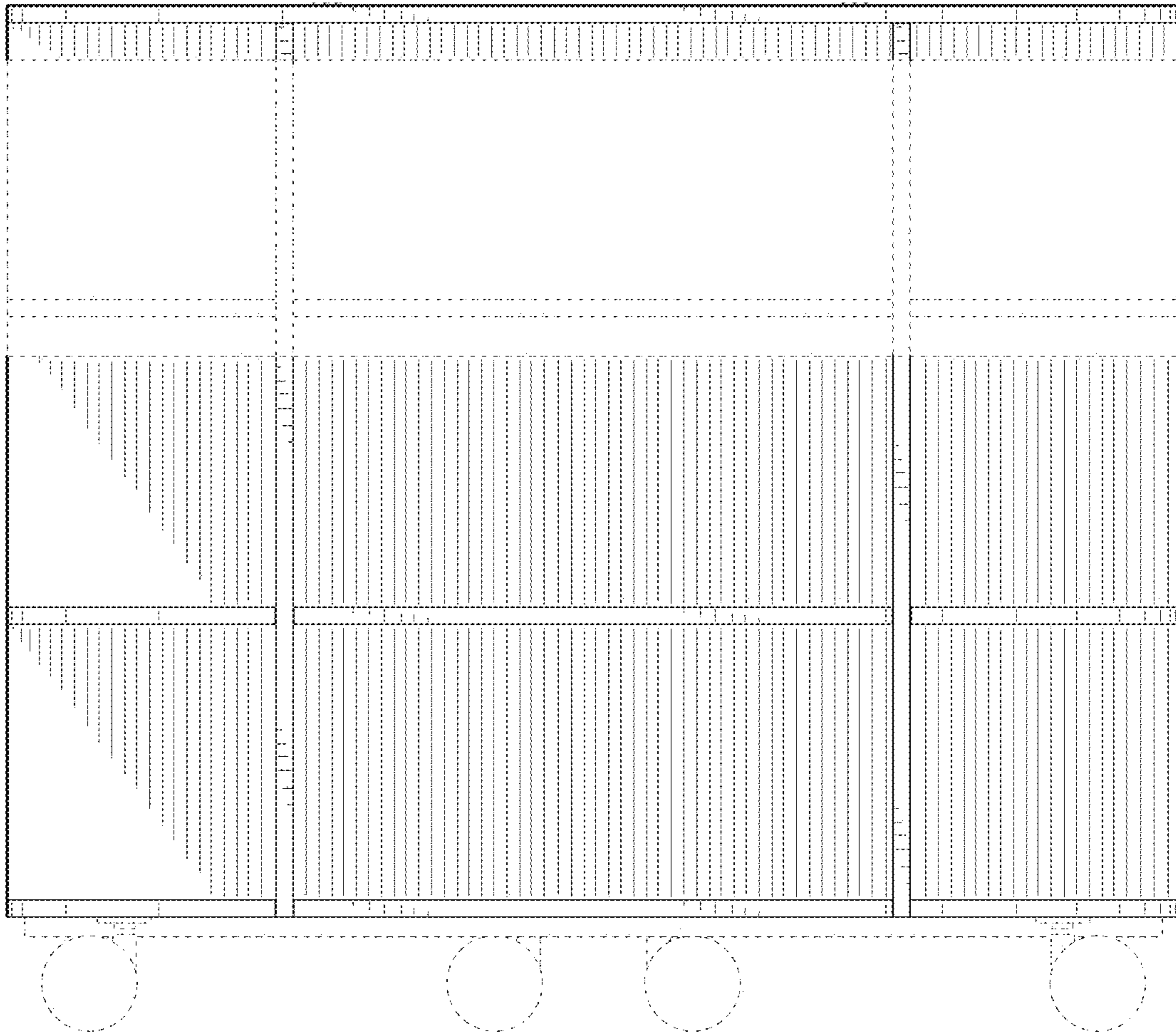


Fig. 2

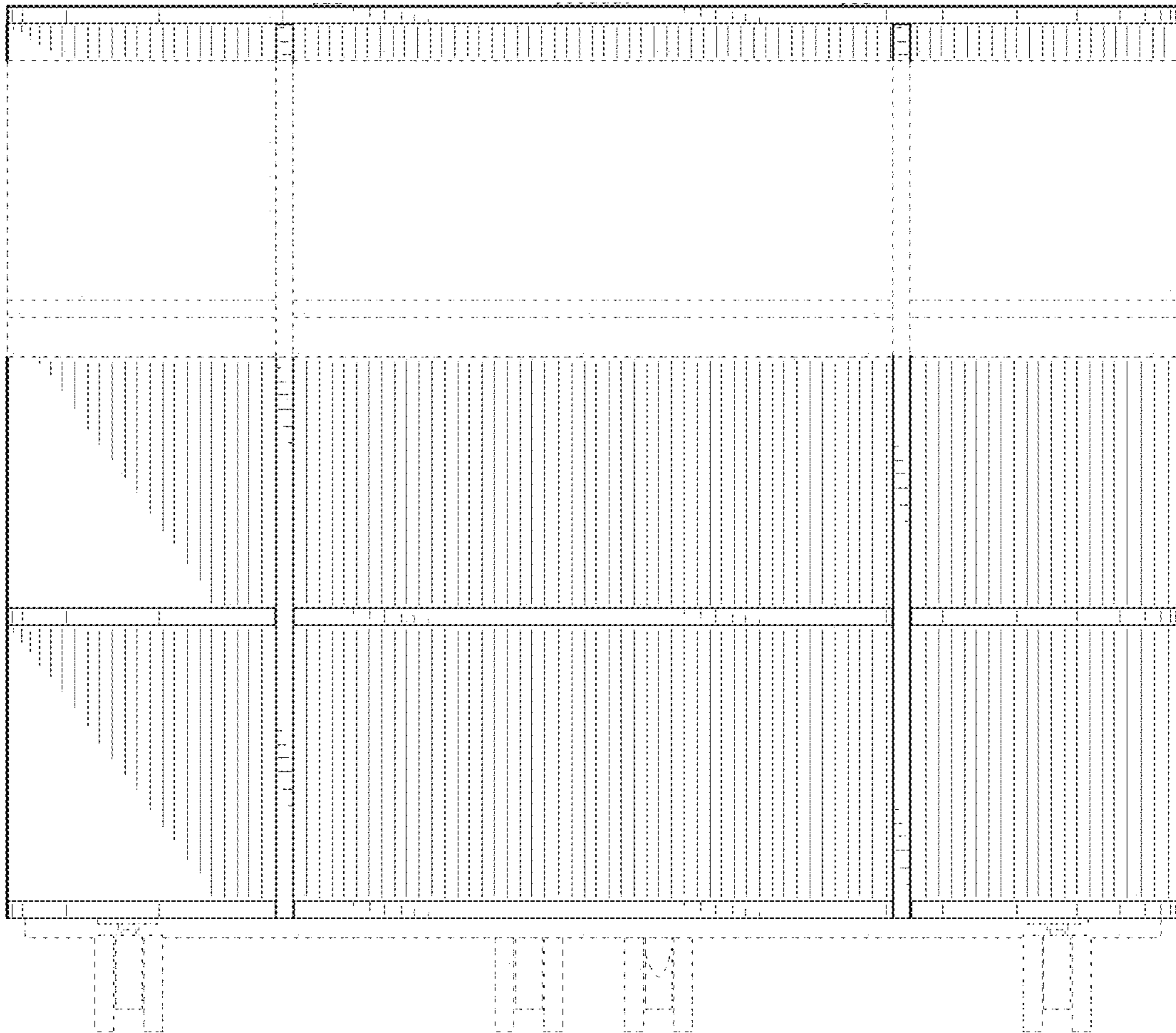


Fig. 3

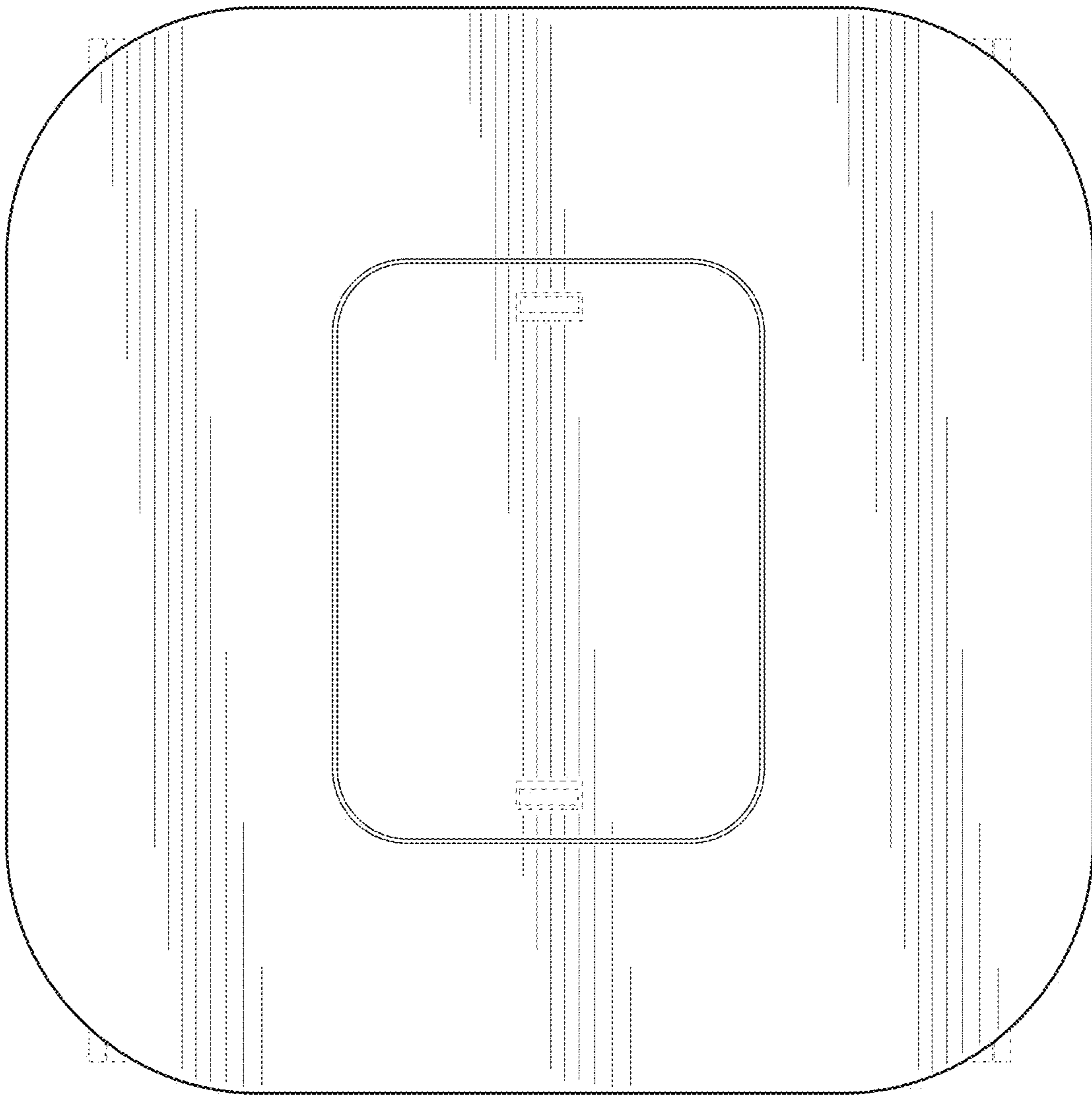


Fig. 4

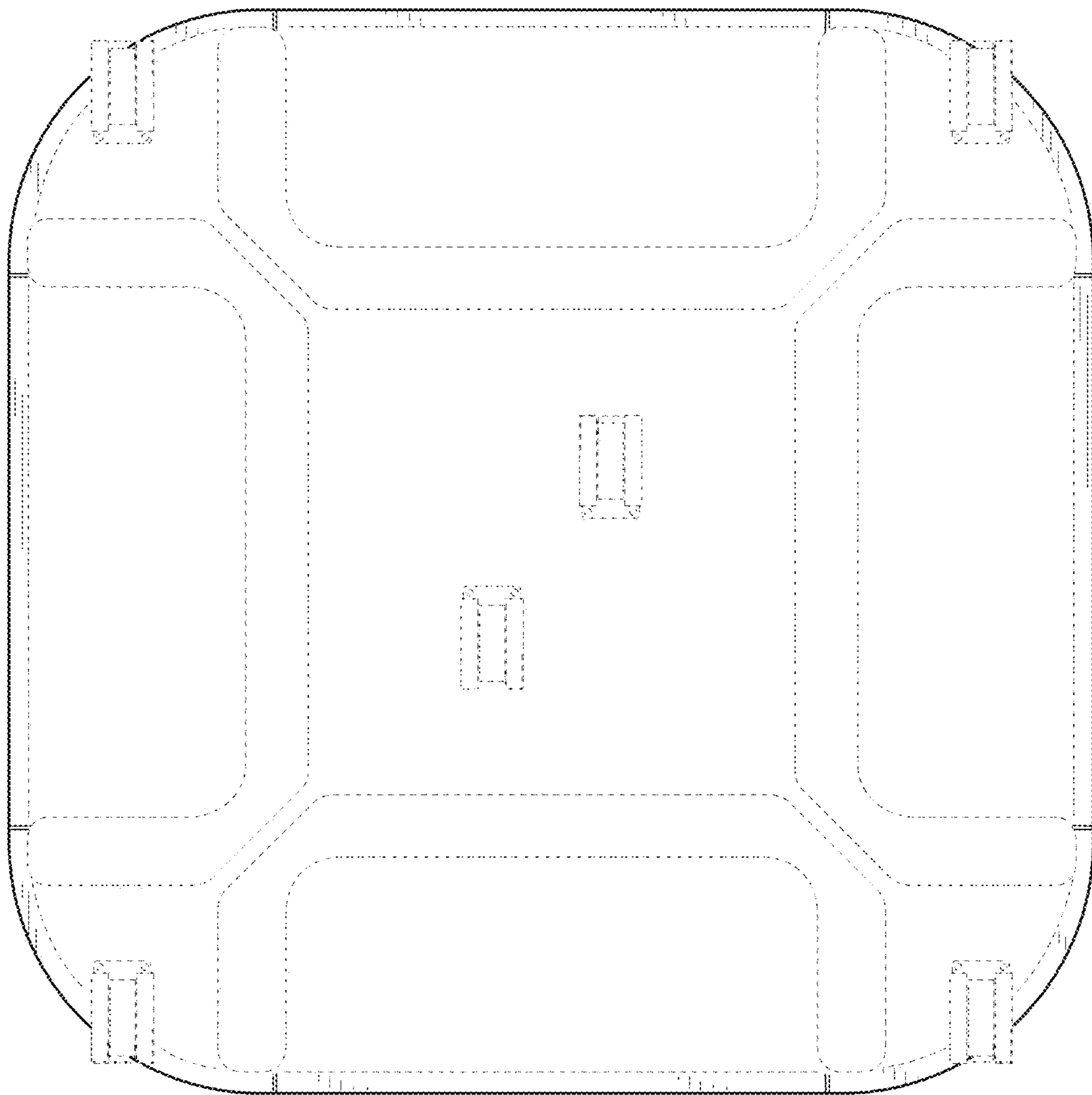


Fig. 5