



US00D984179S

(12) **United States Design Patent**
Streicher

(10) **Patent No.:** **US D984,179 S**

(45) **Date of Patent:** **** *Apr. 25, 2023**

(54) **DESK**

(71) Applicant: **Ramot Hills LLC**, New York, NY (US)

(72) Inventor: **Rafael Streicher**, Brooklyn, NY (US)

(73) Assignee: **Ramot Hills LLC**, New York, NY (US)

(*) Notice: This patent is subject to a terminal disclaimer.

(**) Term: **15 Years**

(21) Appl. No.: **29/751,711**

(22) Filed: **Sep. 23, 2020**

(51) **LOC (14) Cl.** **06-03**

(52) **U.S. Cl.**
USPC **D6/656**

(58) **Field of Classification Search**
USPC D6/641, 642, 656, 656.1, 656.13, 656.14, D6/656.16, 656.19
CPC .. A47B 3/00; A47B 7/00; A47B 13/00; A47B 13/02; A47B 13/04; A47B 13/06; A47B 13/08; A47B 13/10; A47B 13/12; A47B 13/16; A47B 17/00; A47B 21/00; A47B 2200/0001; A47B 2200/0011; A47B 2200/002

See application file for complete search history.

(56) **References Cited**

U.S. PATENT DOCUMENTS

D845,679 S * 4/2019 Li D6/656
D908,400 S * 1/2021 Wu D6/656

D910,342 S * 2/2021 Li D6/656
D923,975 S * 7/2021 Li D6/656.19
D927,894 S * 8/2021 Jia D6/656
D928,536 S * 8/2021 Huang D6/656

* cited by examiner

Primary Examiner — Mary Ann Calabrese

(74) *Attorney, Agent, or Firm* — Bochner IP, PLLC;
Andrew D. Bochner

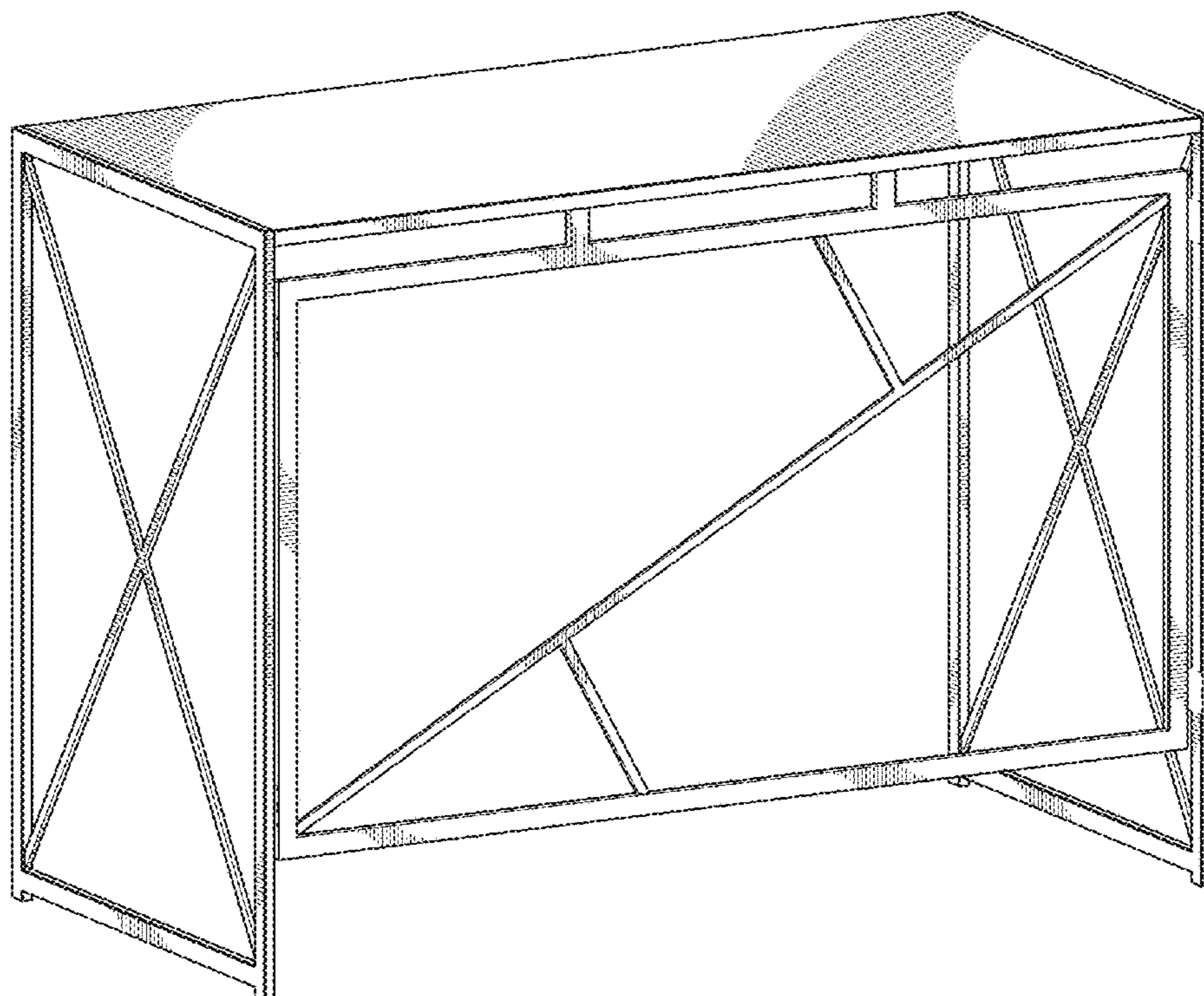
(57) **CLAIM**

The ornamental design for a desk, as shown and described.

DESCRIPTION

FIG. 1 is a top, rear, right-side perspective view of a desk showing my new design;
FIG. 2 is a front elevation view thereof;
FIG. 3 is a rear elevation view thereof;
FIG. 4 is a left-side elevation view thereof, shown at an enlarged scale;
FIG. 5 is a right-side elevation view thereof, shown at an enlarged scale;
FIG. 6 is a top plan view thereof; and,
FIG. 7 is a bottom plan view thereof.
In the drawings, the broken lines show portions of the desk that form no part of the claimed design.

1 Claim, 4 Drawing Sheets



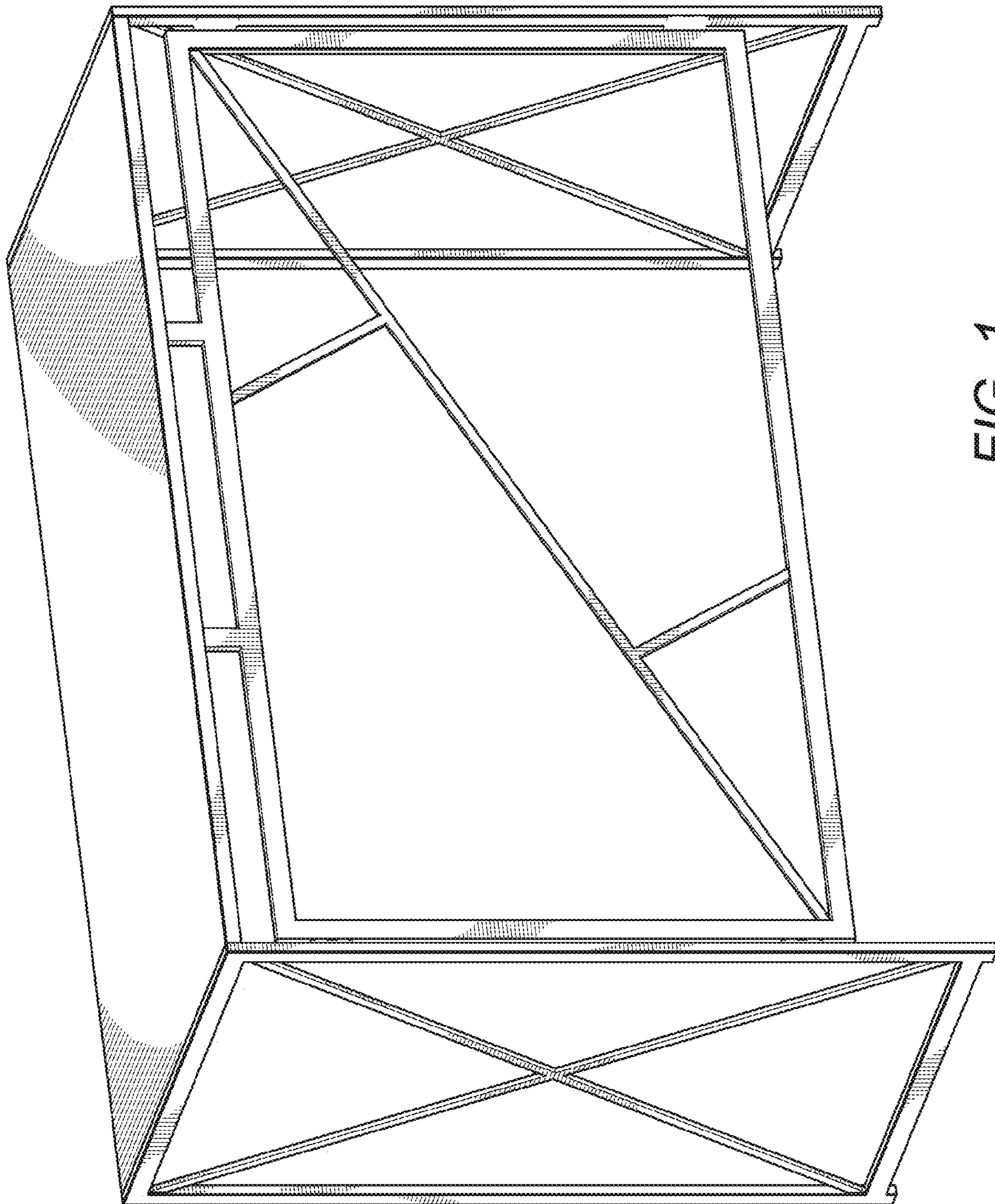


FIG. 1

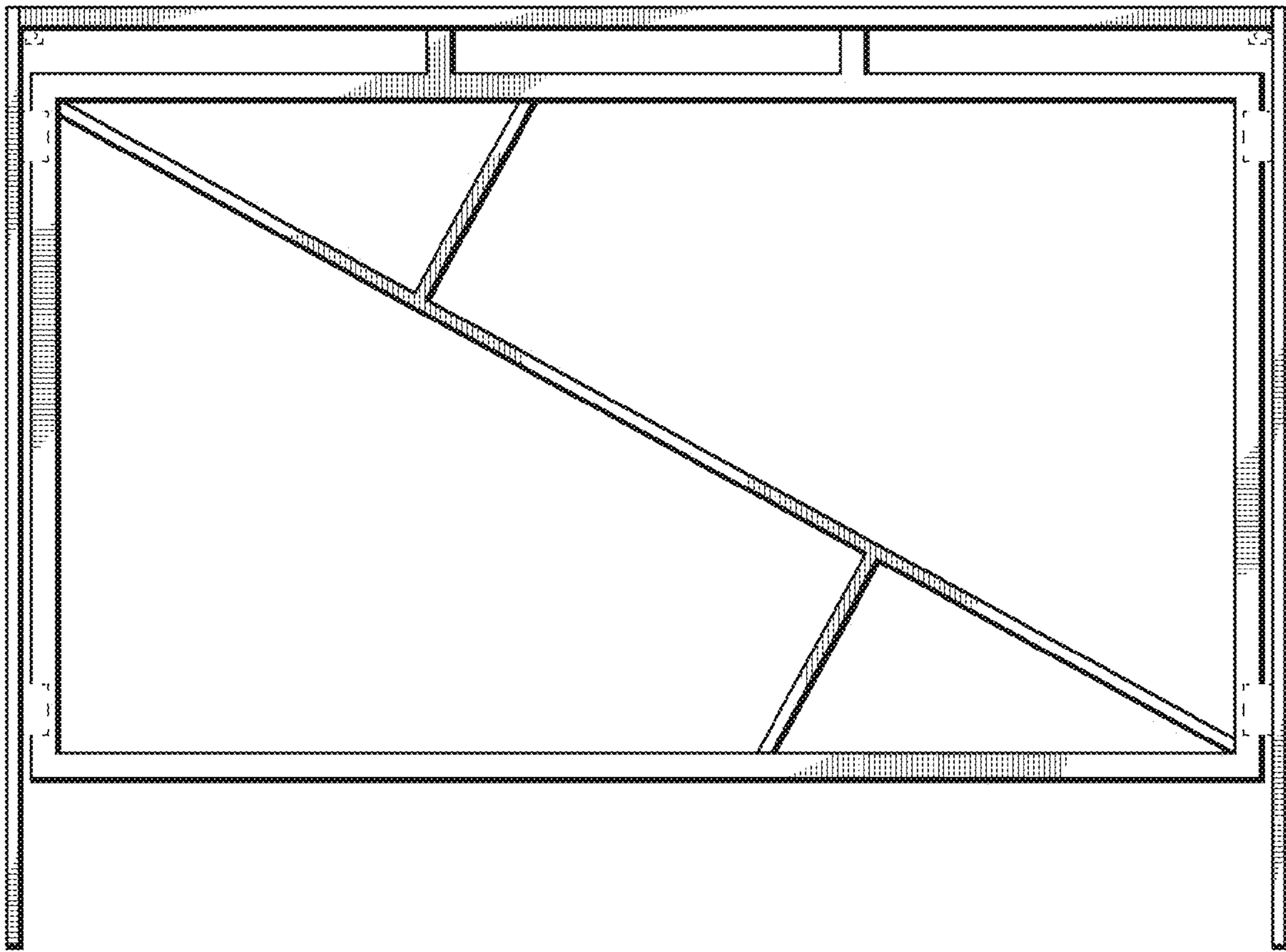


FIG. 2

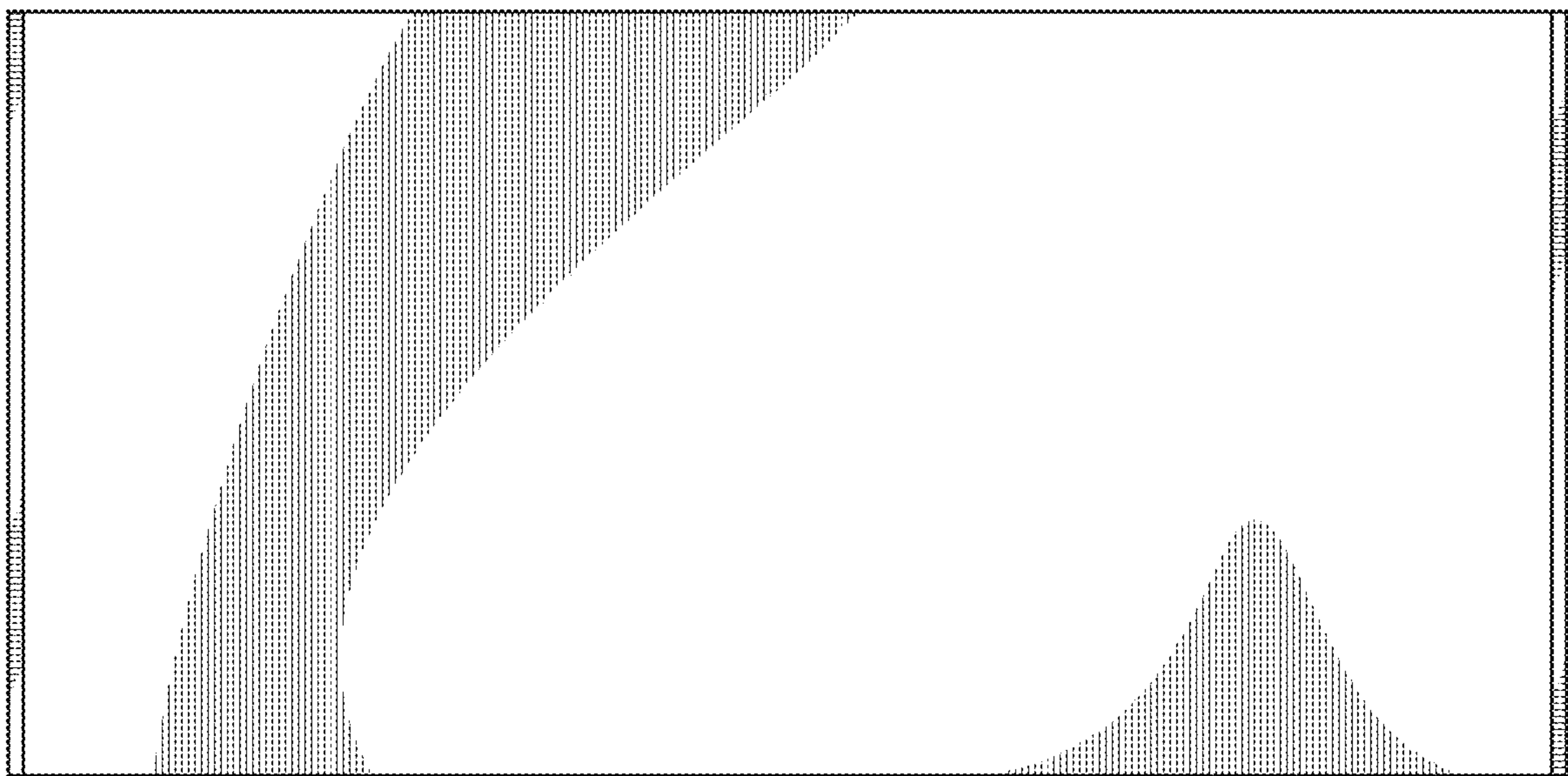


FIG. 6

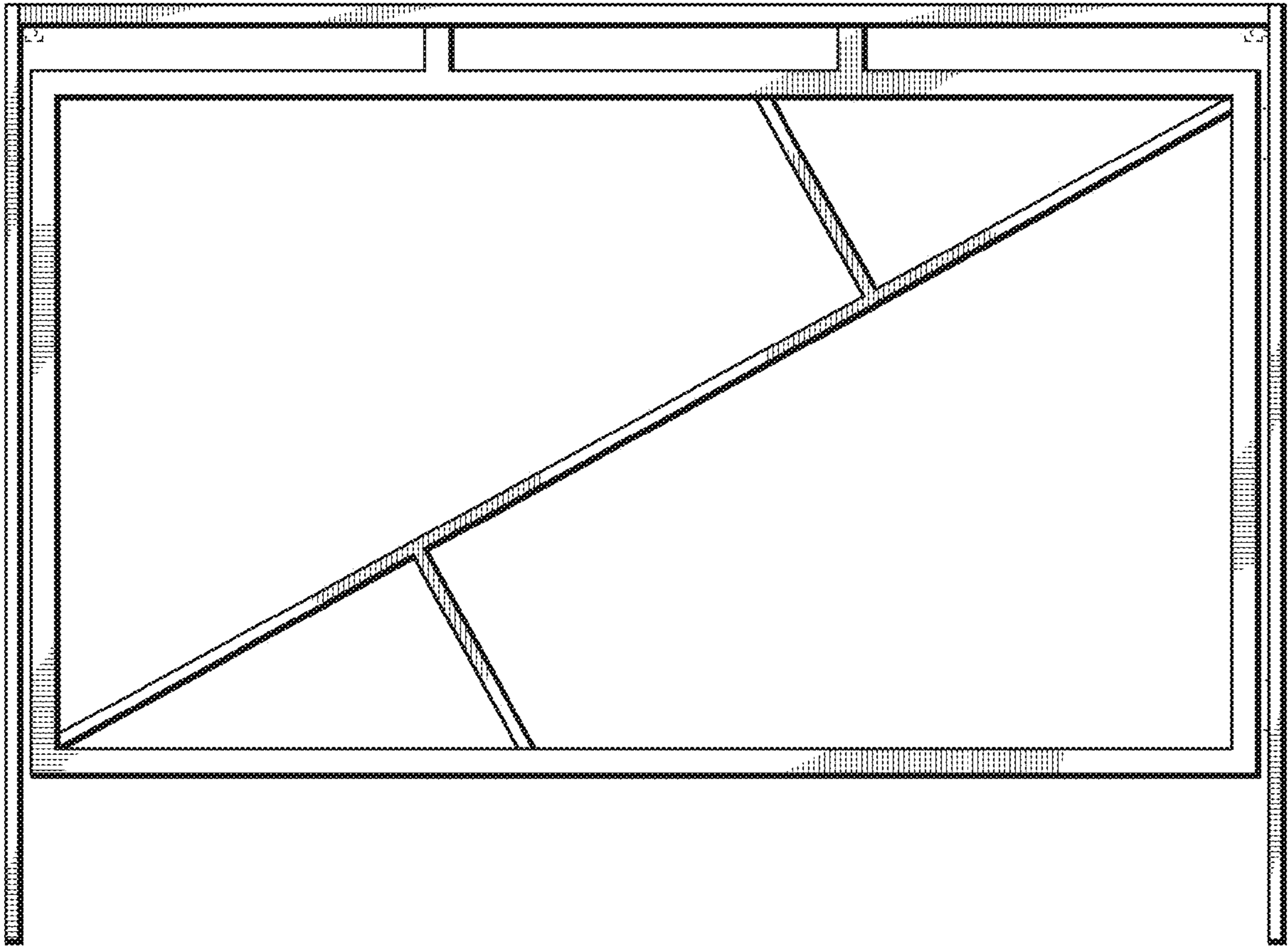


FIG. 3

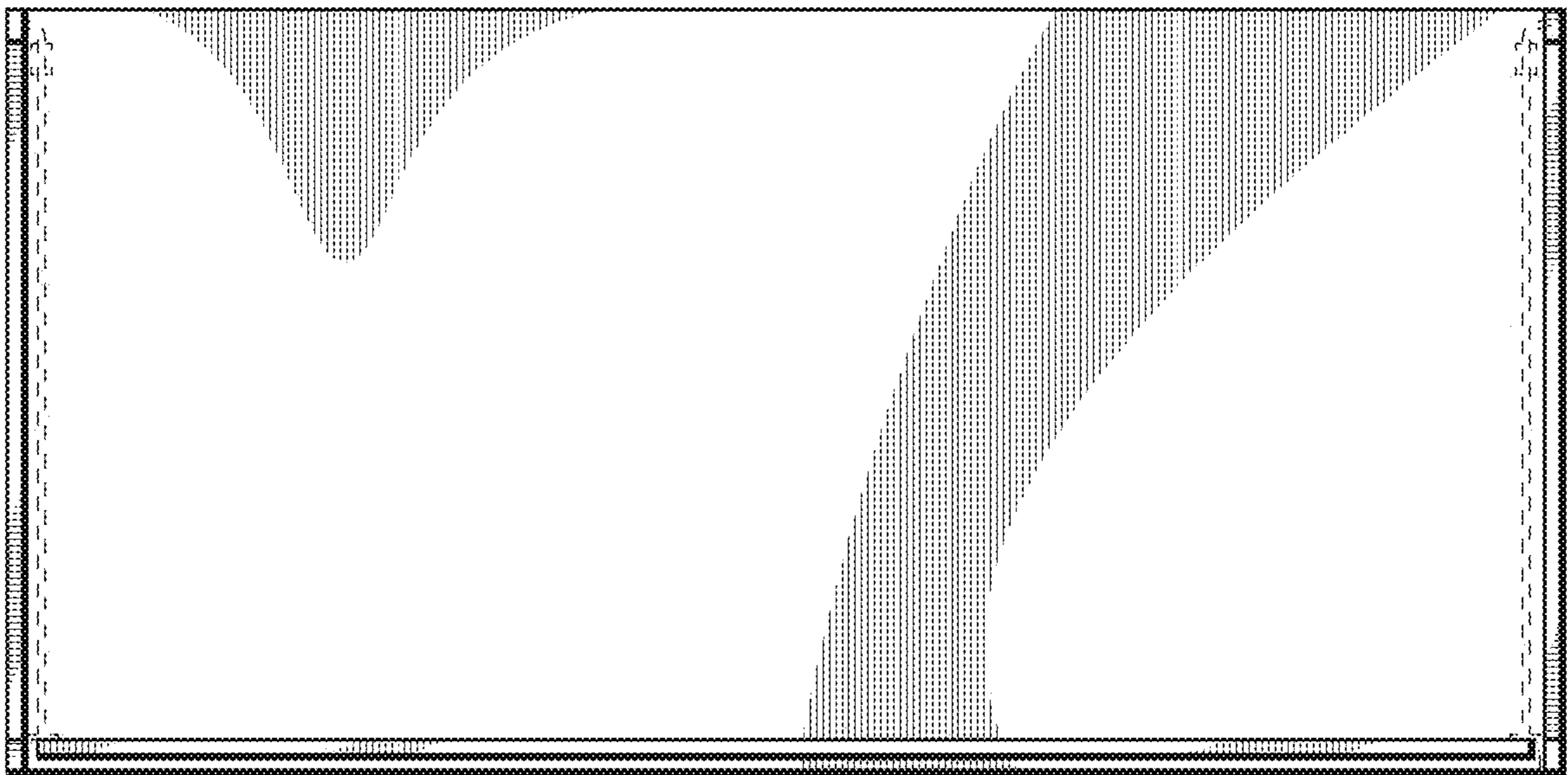


FIG. 7

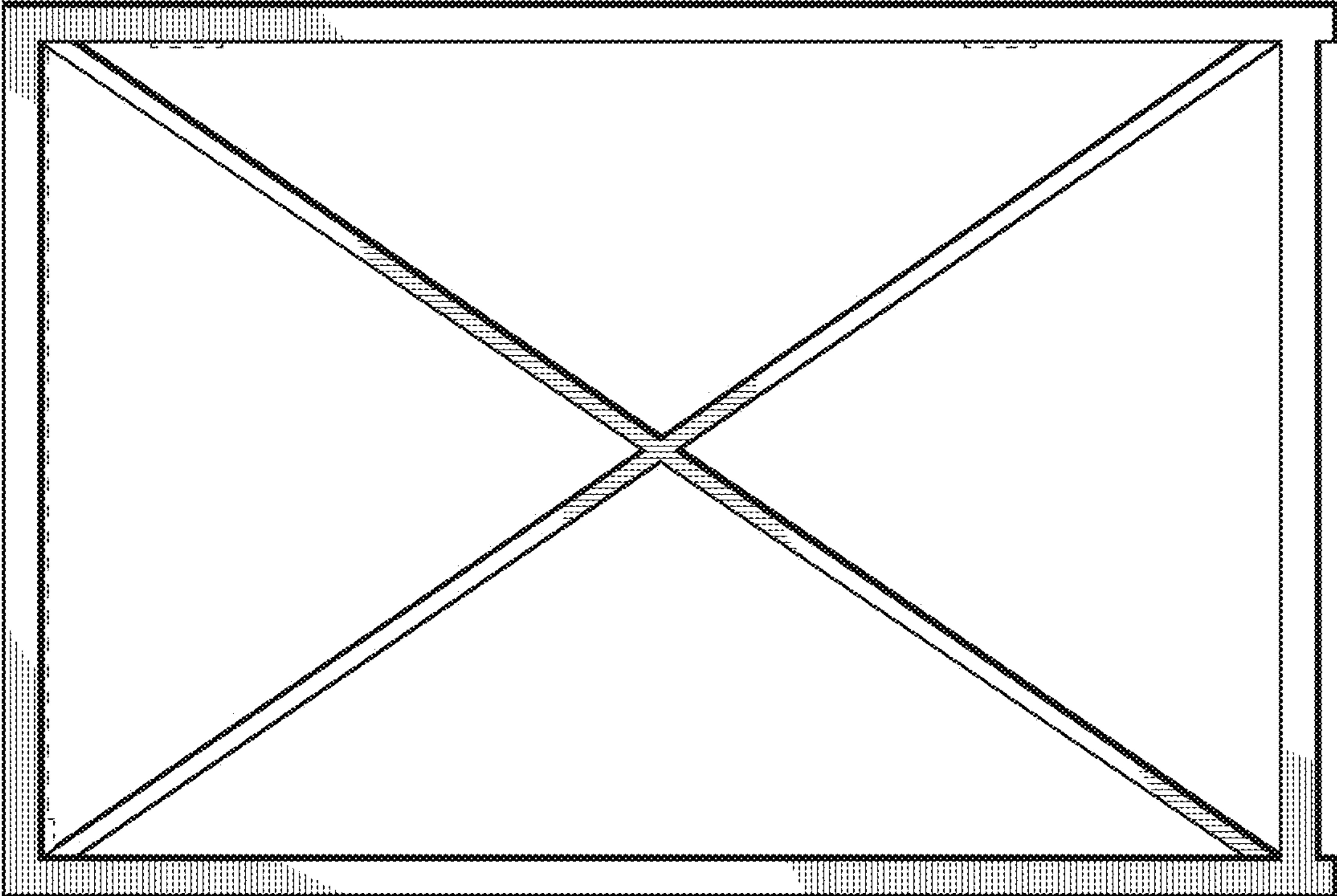


FIG. 5

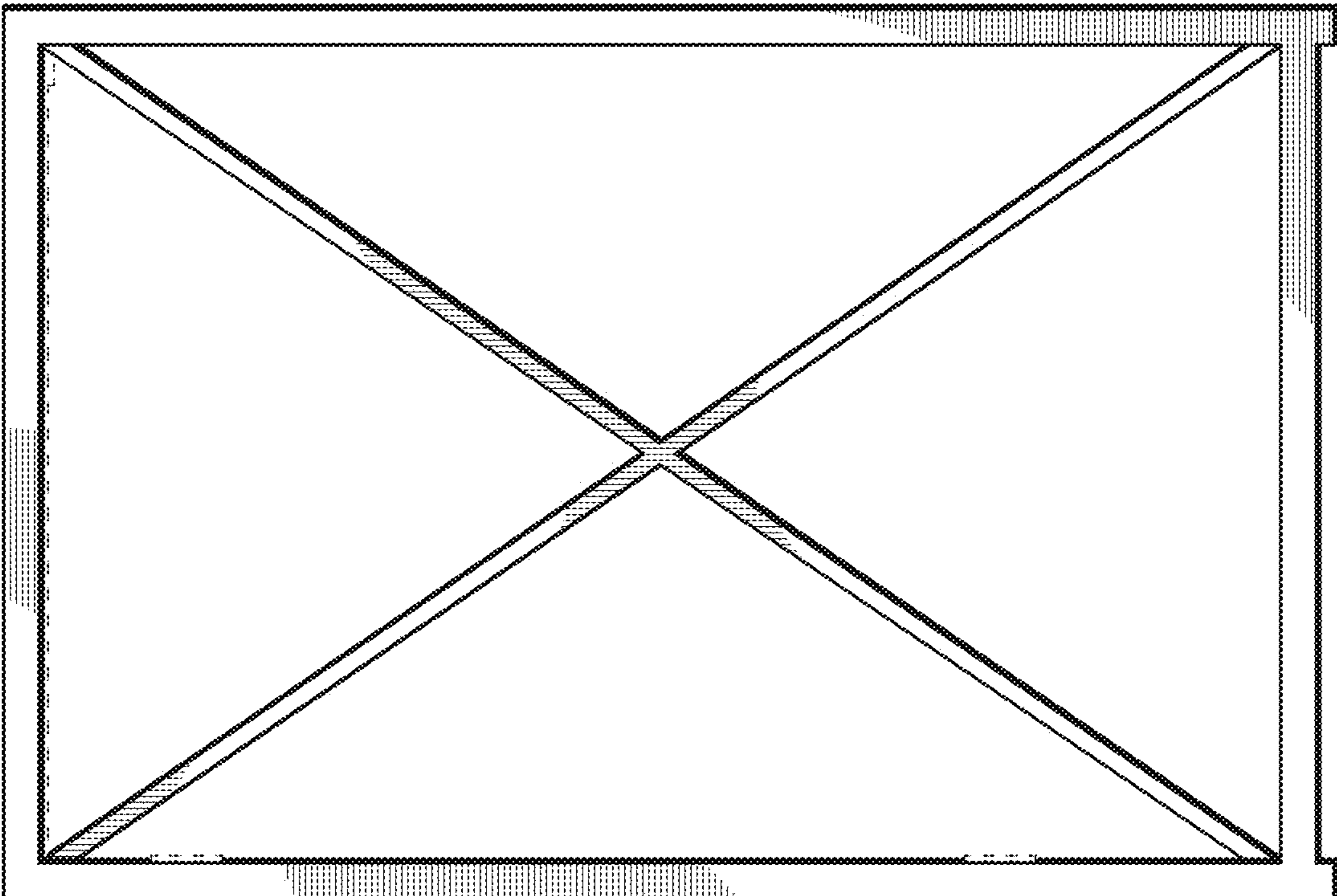


FIG. 4