



US00D984178S

(12) **United States Design Patent** (10) **Patent No.:** **US D984,178 S**
Qiu (45) **Date of Patent:** **** Apr. 25, 2023**

(54) **LAPTOP DESK**
(71) Applicant: **Peiqin Qiu**, Quanzhou (CN)
(72) Inventor: **Peiqin Qiu**, Quanzhou (CN)
(**) Term: **15 Years**
(21) Appl. No.: **29/842,811**
(22) Filed: **Jun. 16, 2022**
(51) **LOC (14) Cl.** **06-03**
(52) **U.S. Cl.**
USPC **D6/655.1**
(58) **Field of Classification Search**
USPC D6/641, 648.1-648.4, 653-653.11,
D6/653.14, 655-655.23
CPC A47B 21/00; A47B 21/007; A47B 21/02;
A47B 21/06
See application file for complete search history.

com/Standing-Adjustable-Computer-Bedrooms-Portable/dp/B09B1N9NMM?th=1 (Year: 2021).*

(Continued)

Primary Examiner — Mary Ann Calabrese
Assistant Examiner — Mark David Wolfley
(74) *Attorney, Agent, or Firm* — Rumit Ranjit Kanakia

(57) **CLAIM**

The ornamental design for a laptop desk, as shown and described.

DESCRIPTION

FIG. 1 is a top, front perspective view of a laptop desk showing my new design;
FIG. 2 is a bottom, rear perspective view thereof;
FIG. 3 is a front elevational view thereof;
FIG. 4 is a rear elevational view thereof;
FIG. 5 is a left elevational view thereof, the right elevational view being a mirror image of FIG. 5;
FIG. 6 is a top plan view thereof;
FIG. 7 is a bottom plan view thereof;
FIG. 8 is an enlarged detailed view of the encircled area labeled 8 in FIG. 1;
FIG. 9 is an enlarged detailed view of the encircled area labeled 9 in FIG. 1;
FIG. 10 is an enlarged detailed view of the encircled area labeled 10 in FIG. 1;
FIG. 11 is an enlarged detailed view of the encircled area labeled 11 in FIG. 2;
FIG. 12 is an enlarged detailed view of the encircled area labeled 12 in FIG. 2; and,
FIG. 13 is an enlarged detailed view of the encircled area labeled 13 in FIG. 2.
The broken lines represent boundaries of the enlarged portions of the laptop desk, that form no part of the claimed design.

(56) **References Cited**

U.S. PATENT DOCUMENTS

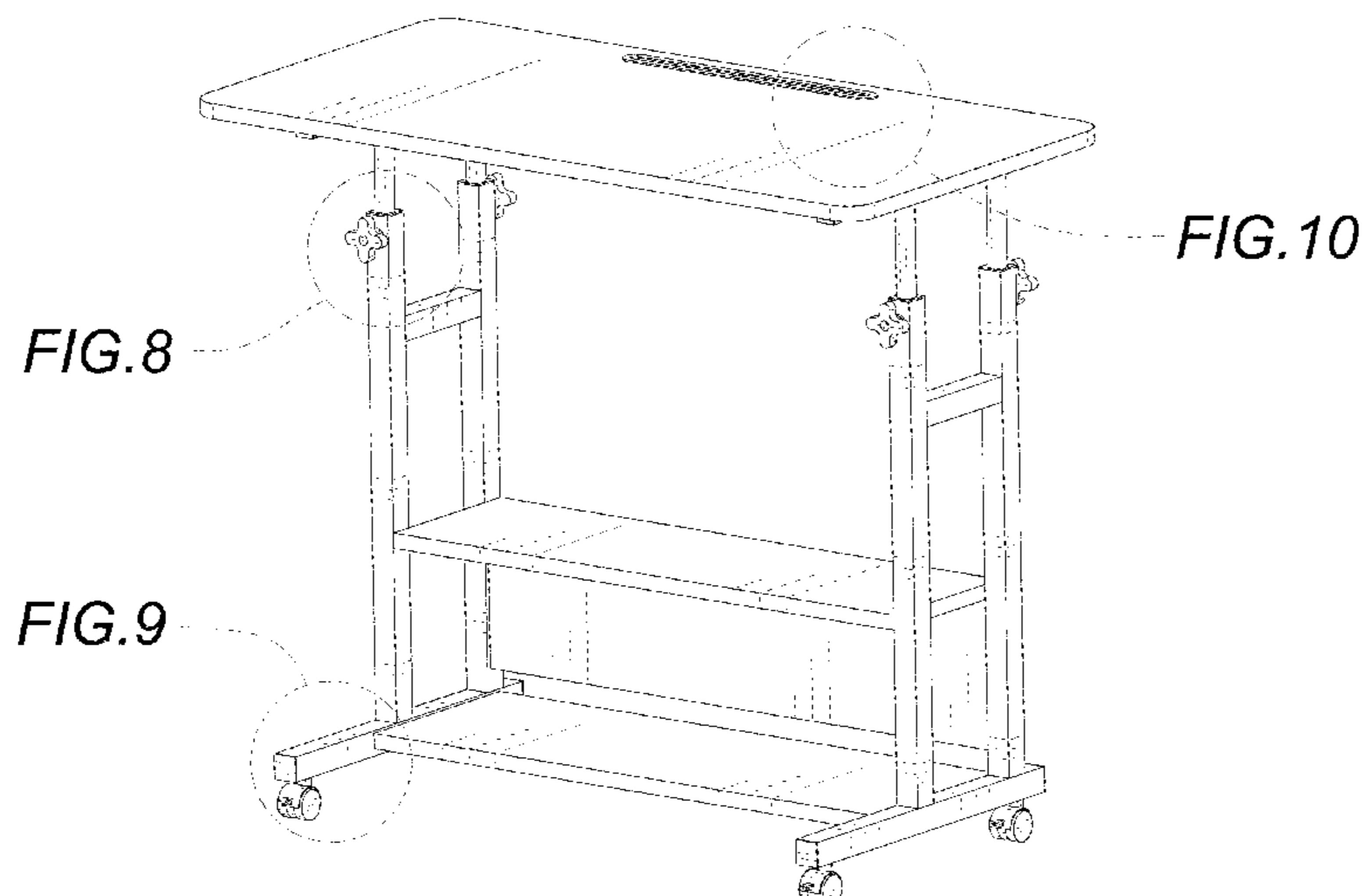
D215,308 S * 9/1969 Barnes D6/655.21
3,806,220 A * 4/1974 Payne A47B 27/00
211/126.15
D313,911 S * 1/1991 Grout D6/702
D377,720 S * 2/1997 Miller D6/655.21
D387,218 S * 12/1997 Miller D6/655.21
D396,576 S * 8/1998 Moore D6/655.21
D576,429 S 9/2008 Lye
D757,464 S * 5/2016 Chiang D6/642
D865,404 S * 11/2019 Hu D6/655.13
D875,441 S * 2/2020 Duan D6/655.21
D892,515 S 8/2020 Wang
D913,720 S 3/2021 Zhang
D914,393 S 3/2021 Xie
D915,809 S 4/2021 Ko
D921,395 S 6/2021 Wu

(Continued)

OTHER PUBLICATIONS

Home Office Desks, available in Amazon.com, date first available Jul. 22, 2021, site visited Oct. 18, 2022, URL:<https://www.amazon.com>

1 Claim, 13 Drawing Sheets



(56)

References Cited

U.S. PATENT DOCUMENTS

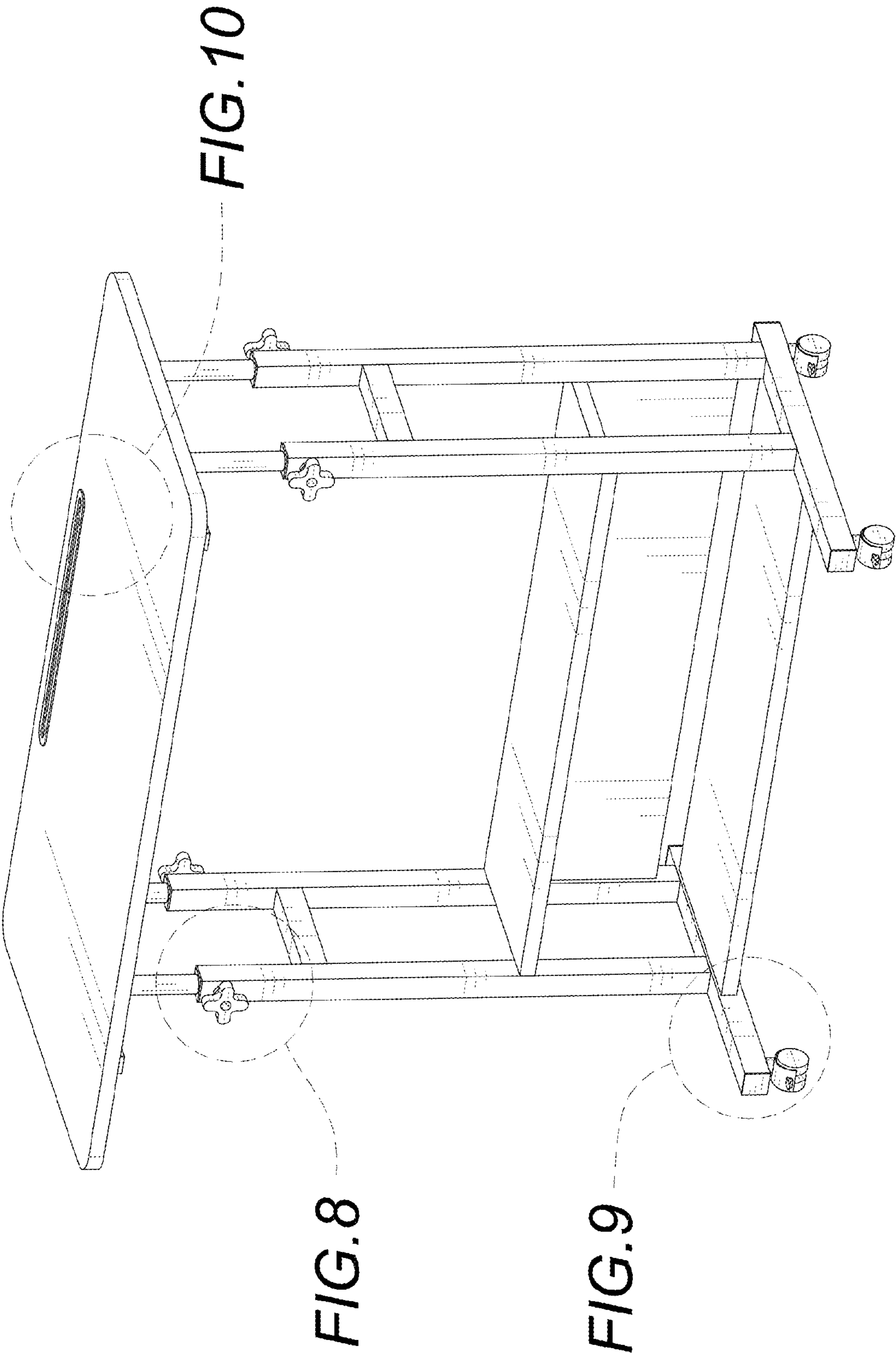
D921,408 S 6/2021 Bergsma
D922,090 S 6/2021 Zhang
D936,394 S * 11/2021 Liu D6/655.1
D944,554 S 3/2022 Zhang
D944,555 S 3/2022 Zhang
D951,681 S * 5/2022 You D6/655.21
2016/0260019 A1 * 9/2016 Riquelme Ruiz G06N 20/00

OTHER PUBLICATIONS

Tribesigns Height Adjustable C Table with Wheels, available in Amazon.com, date first available Dec. 22, 2021, site visited on Oct. 18, 2022, URL:https://www.amazon.com/dp/B09CKZZ08N/ref=emc_b_5_i (Year: 2021).*

Yudzizws Adjustable Standing Desk With Wheels, available in Amazon.co.uk, date first available Nov. 5, 2021, site visited Oct. 18, 2022, URL:<https://www.amazon.co.uk/YUDIZWS-Adjustable-Standing-Rolling-Computer/dp/B09L47PPWN> (Year: 2021).*

* cited by examiner



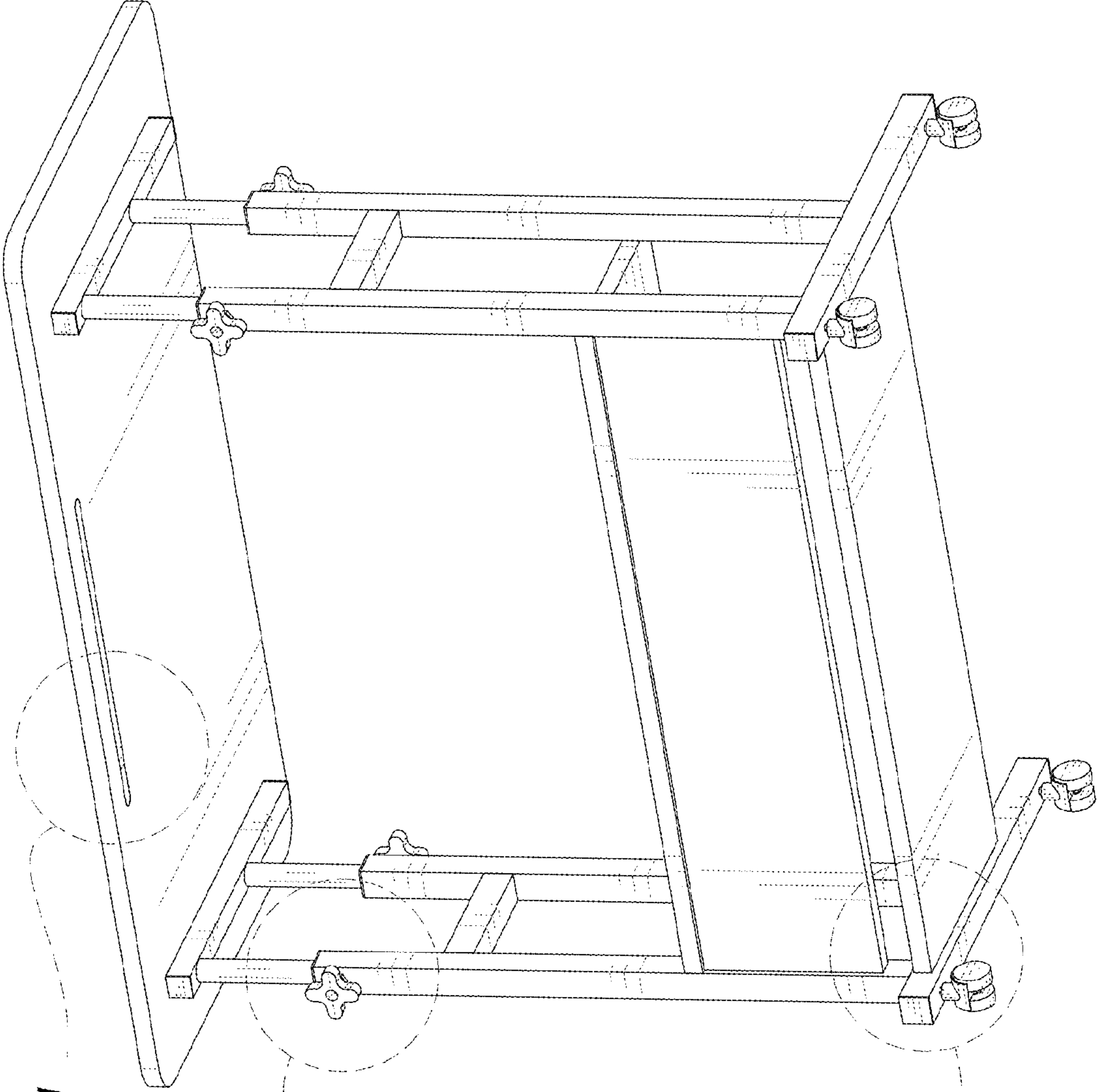


FIG. 11

FIG. 12

FIG. 13

FIG. 2

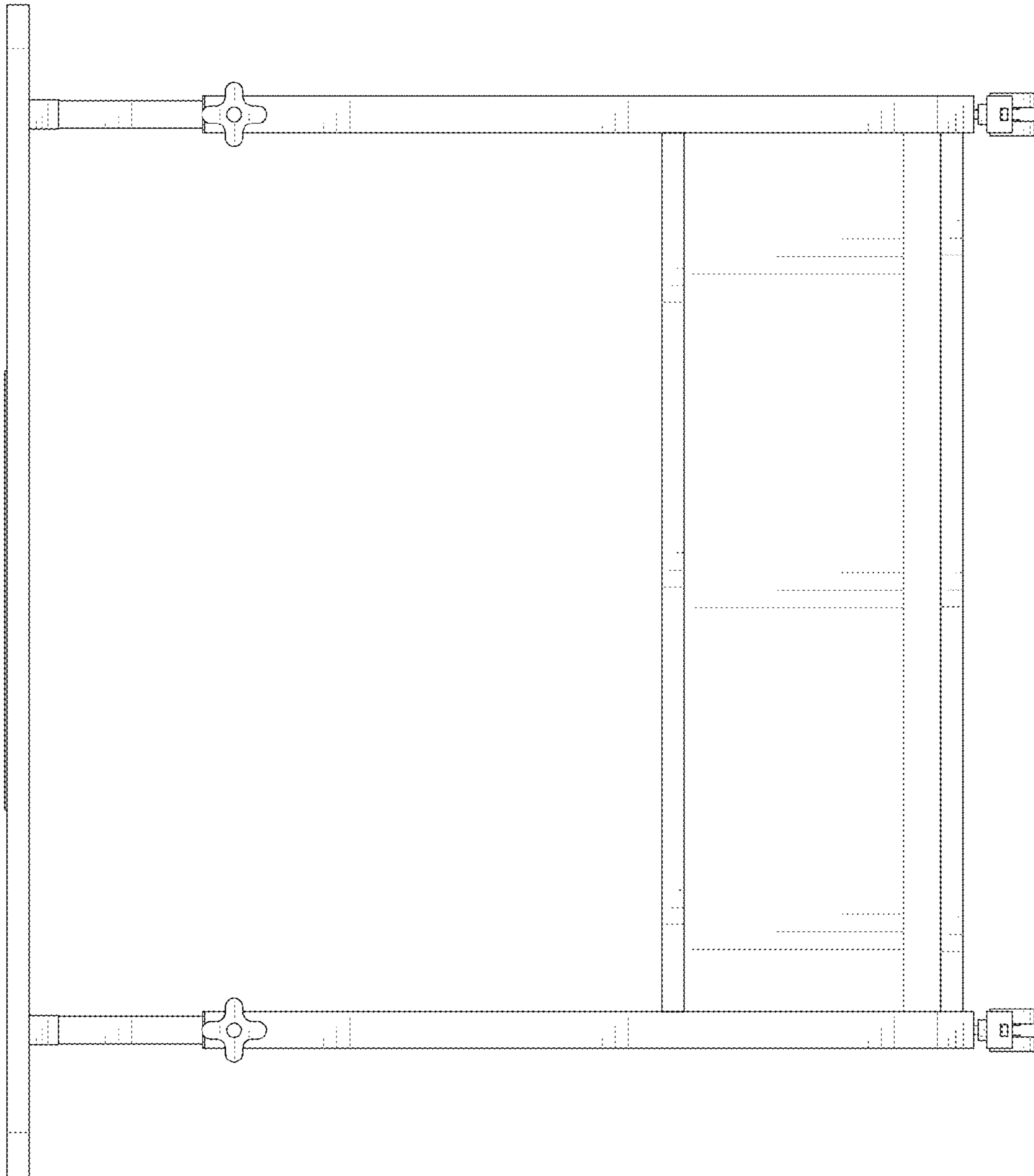


FIG. 3

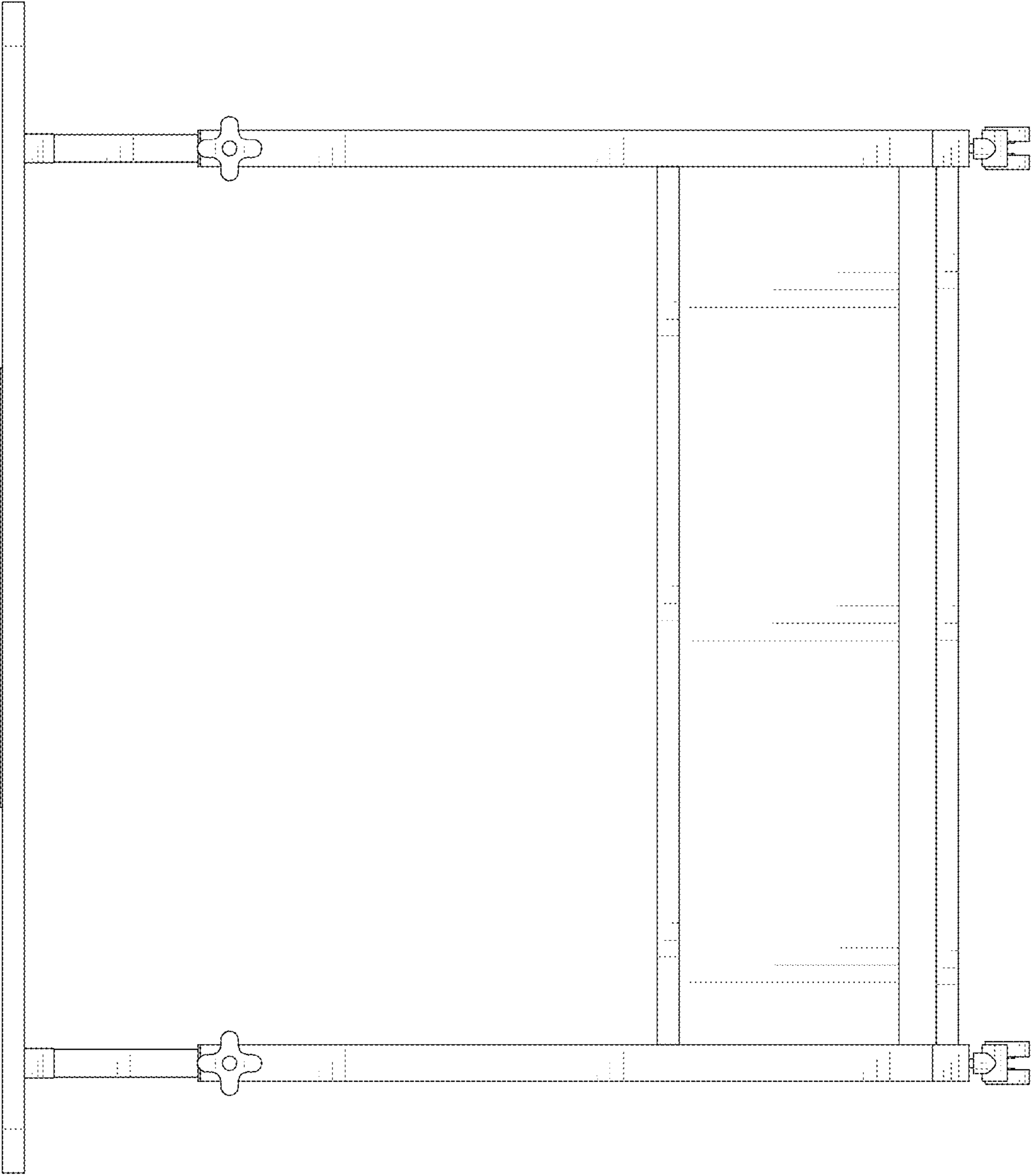


FIG. 4

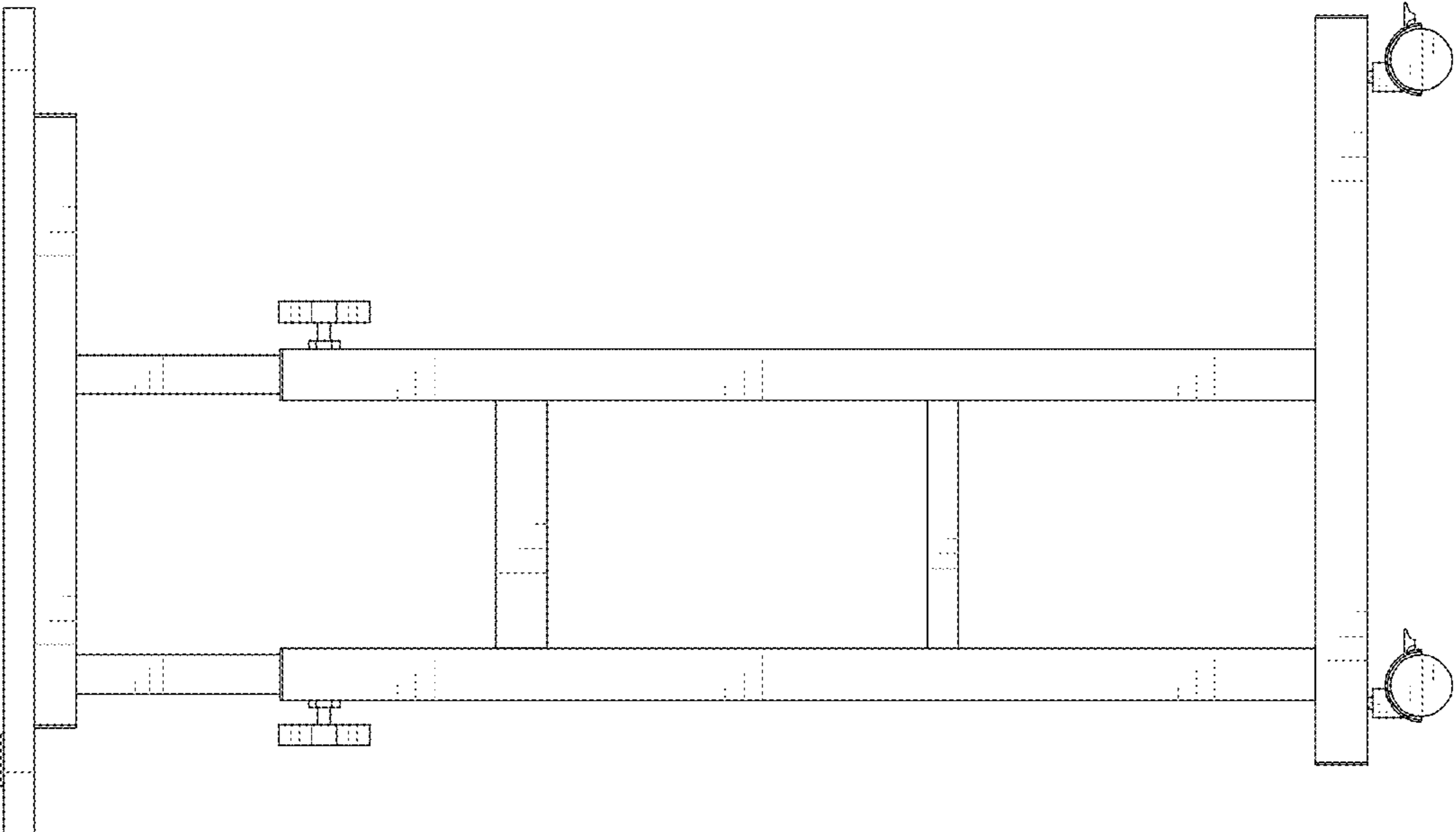


FIG. 5

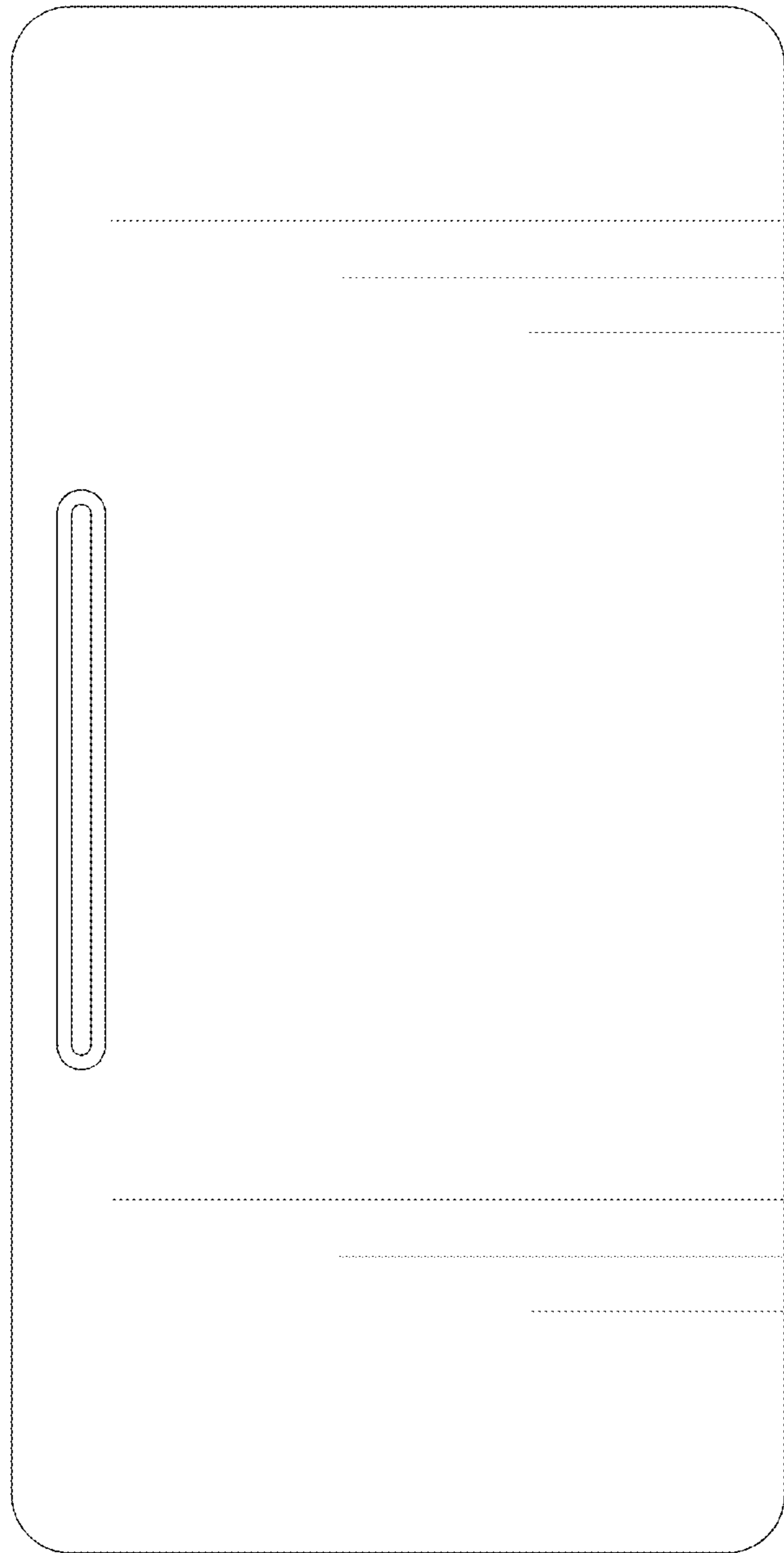


FIG. 6

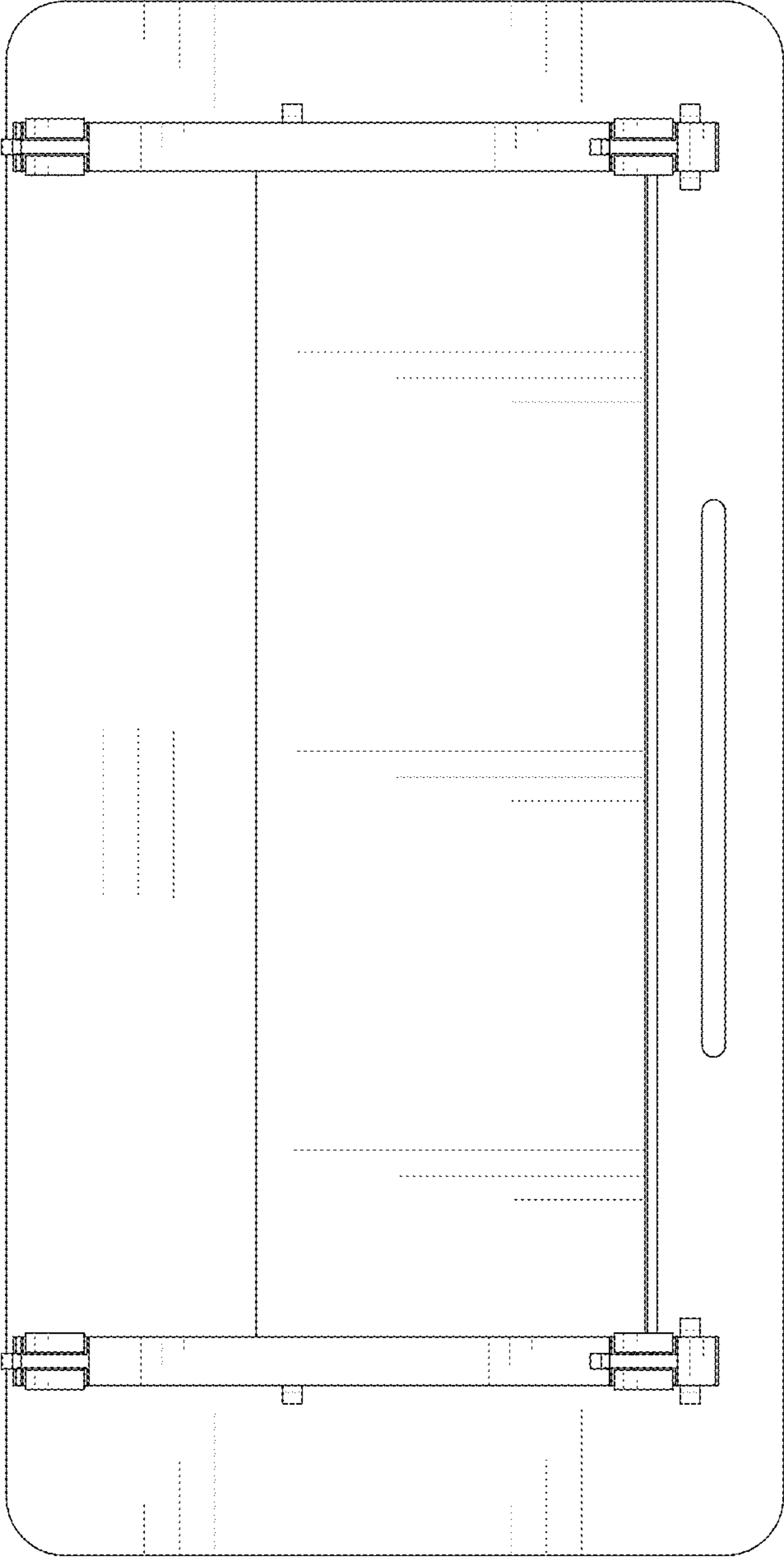


FIG. 7

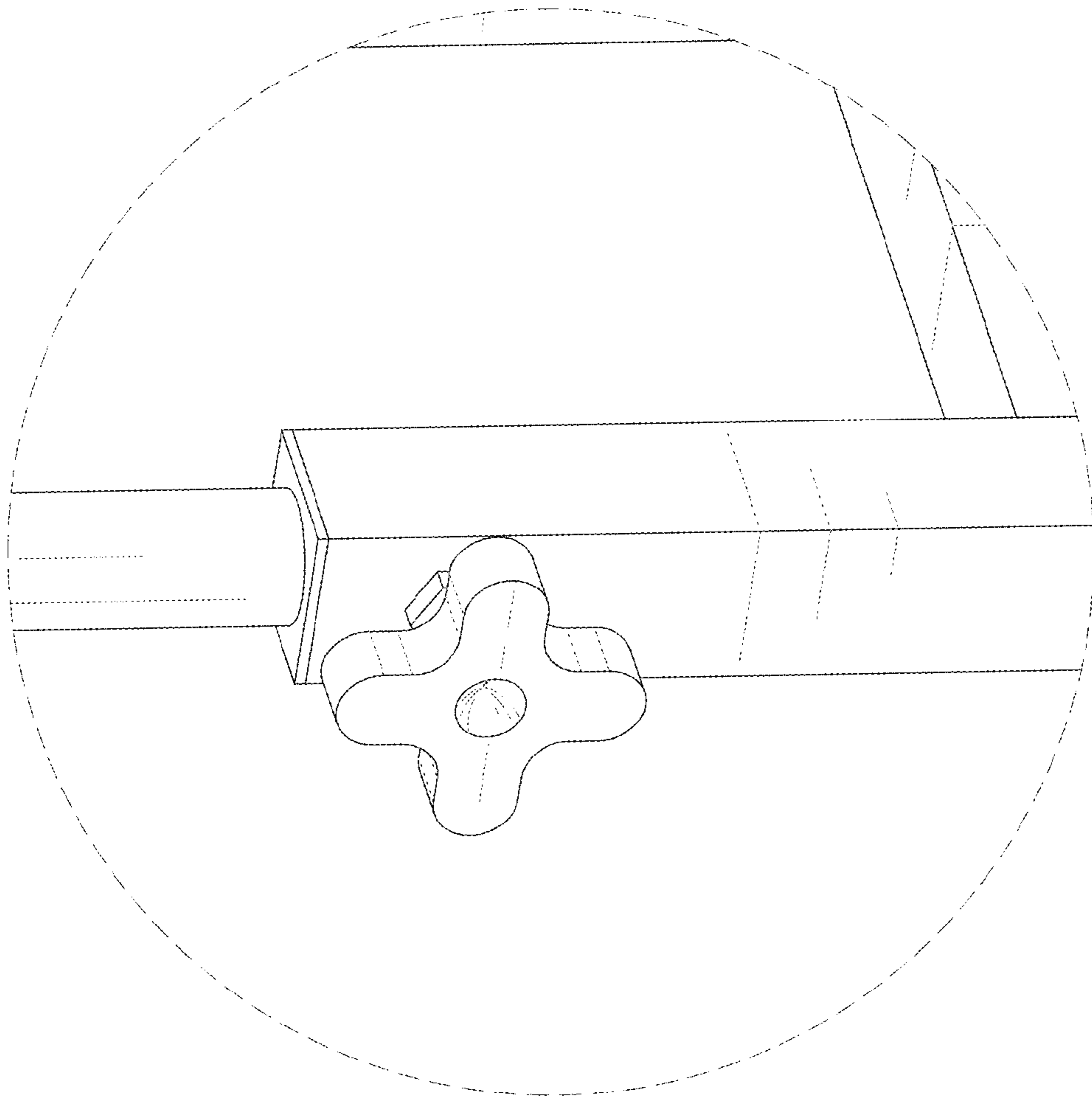


FIG. 8

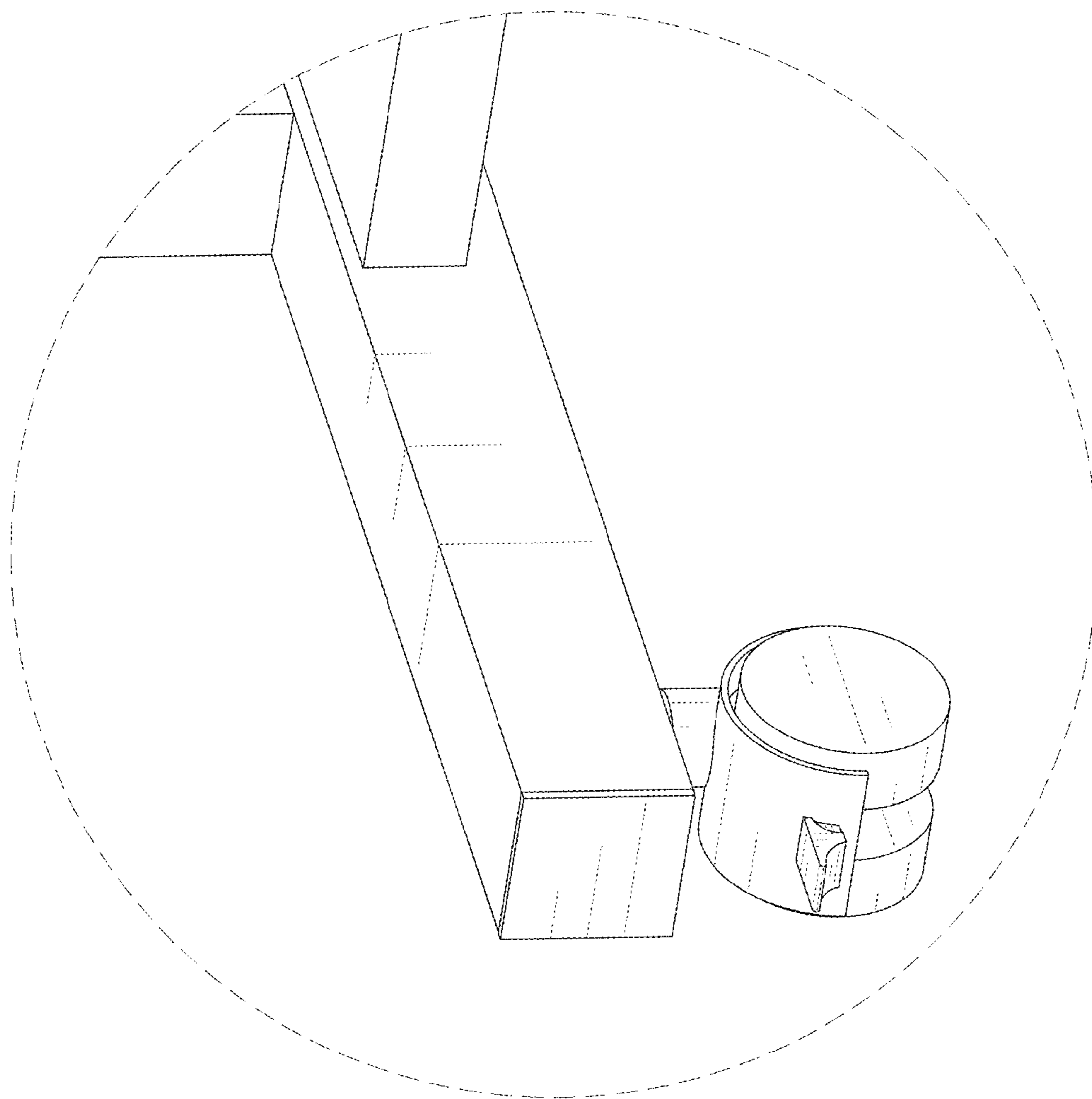


FIG. 9

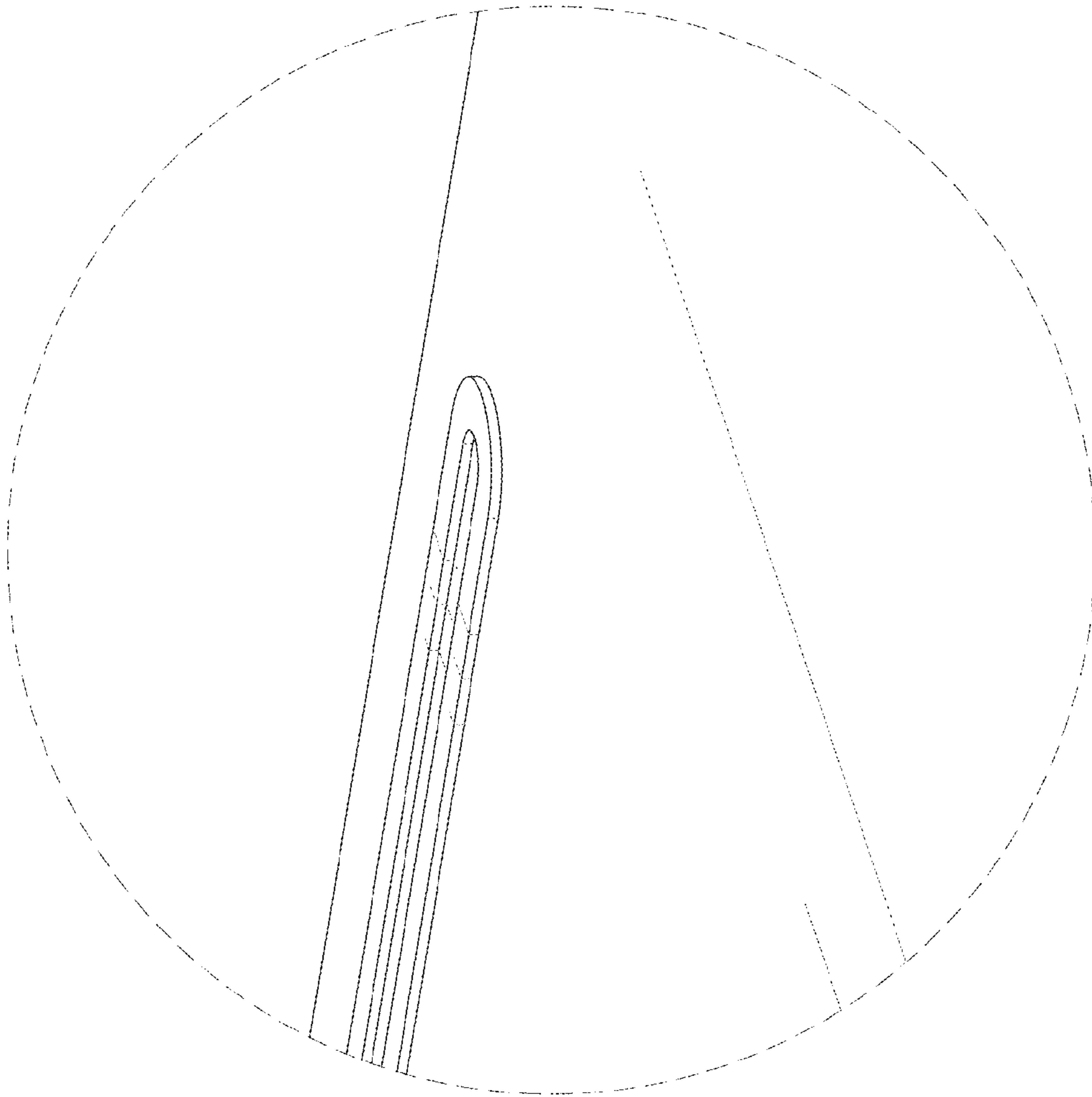


FIG. 10

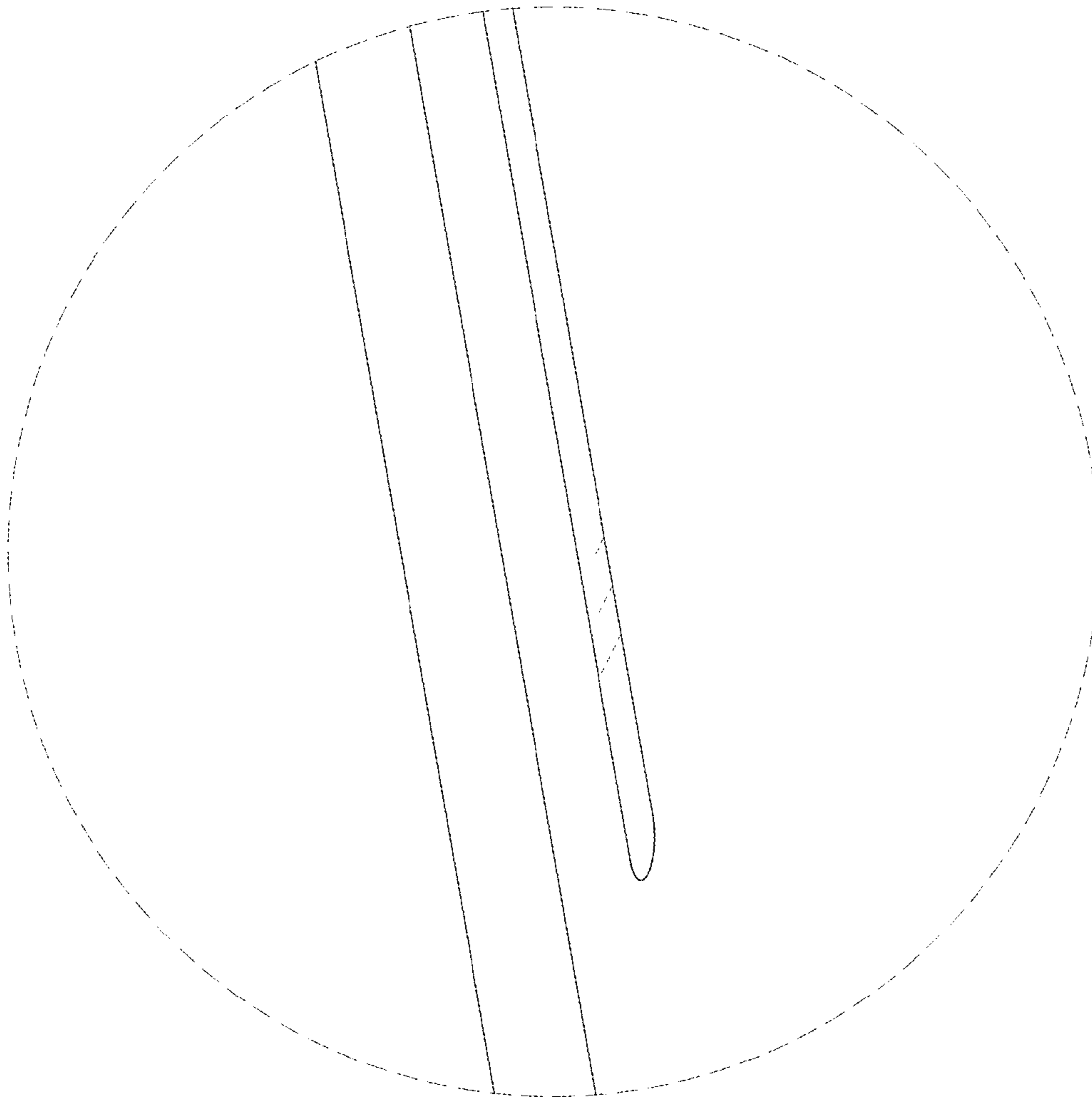


FIG. 11

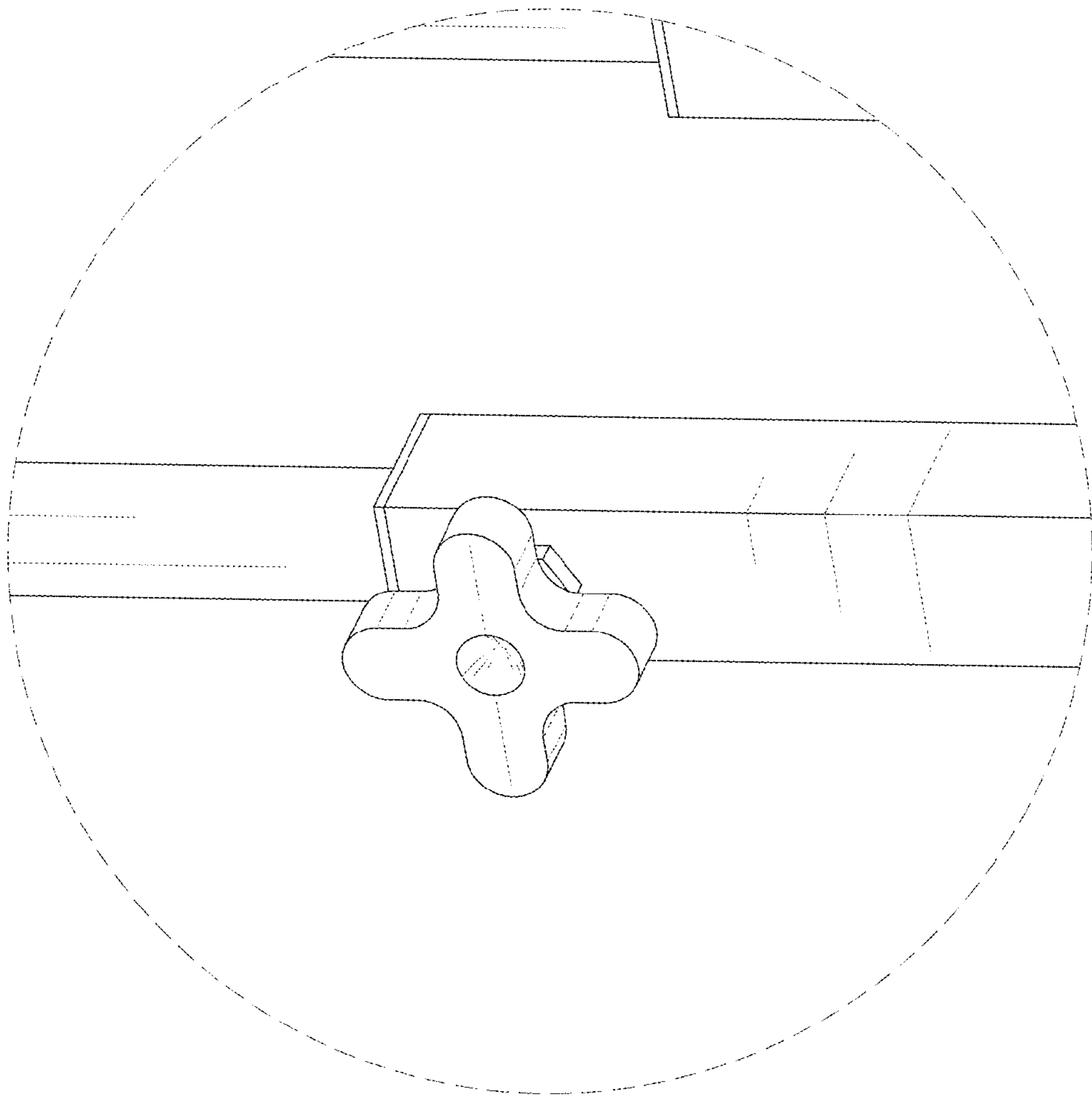


FIG. 12

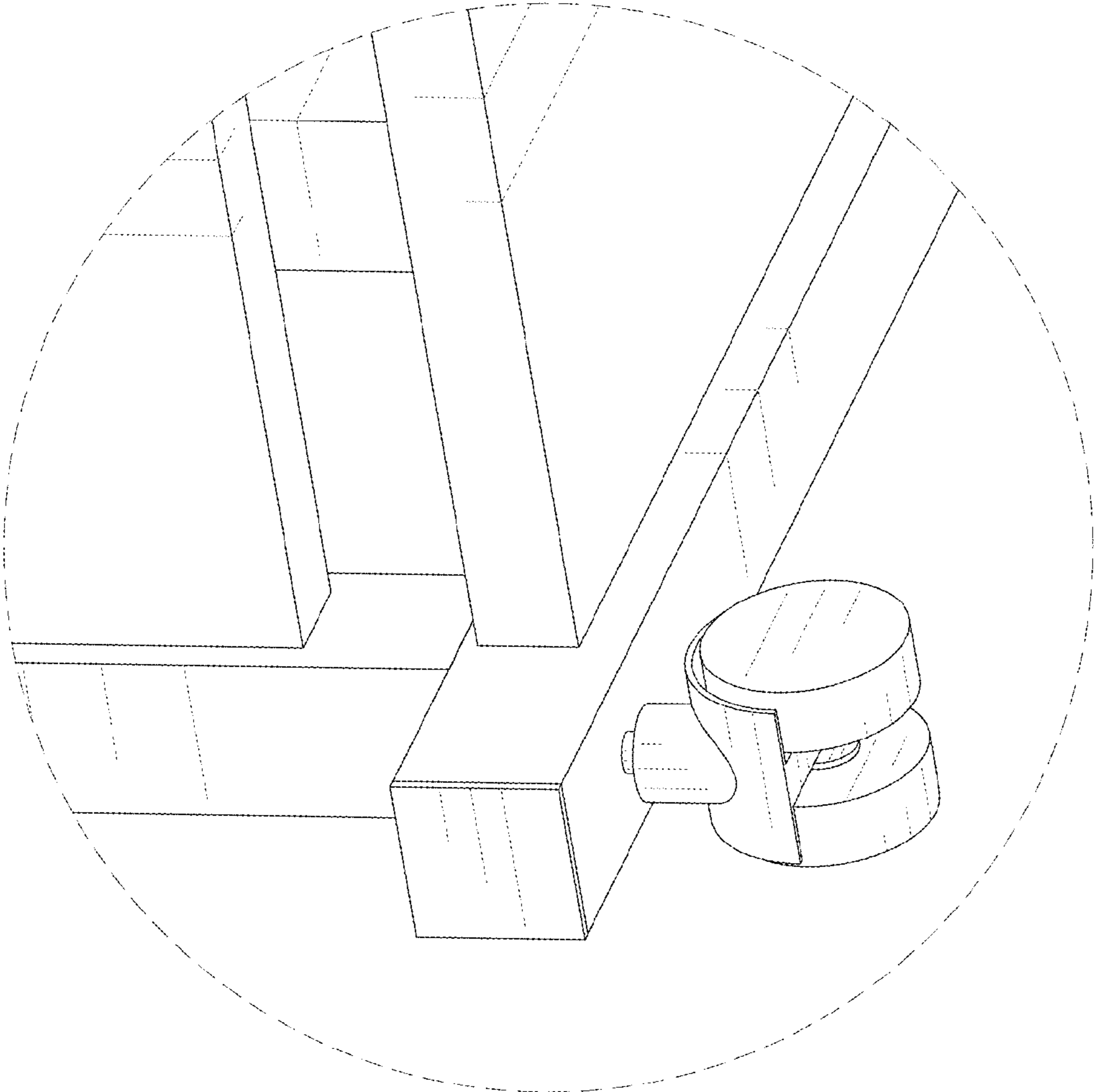


FIG. 13