



US00D984177S

(12) **United States Design Patent** (10) **Patent No.:** **US D984,177 S**
Wu (45) **Date of Patent:** **** Apr. 25, 2023**

- (54) **DESK**
- (71) Applicant: **Shenzhen Aurisy Technology Co., Ltd., Shenzhen (CN)**
- (72) Inventor: **Jinguan Wu, Shenzhen (CN)**
- (**) Term: **15 Years**
- (21) Appl. No.: **29/857,250**
- (22) Filed: **Oct. 20, 2022**
- (51) **LOC (14) Cl.** **06-03**
- (52) **U.S. Cl.**
USPC **D6/654**
- (58) **Field of Classification Search**
USPC D6/334, 335, 349, 353, 355, 641, 642,
D6/651, 652, 655, 655.1, 655.14, 655.21,
D6/685, 686, 688, 688.1, 688.11, 688.19,
D6/688.21, 691, 691.1, 691.3, 691.8,
D6/691.9, 708, 708.1, 708.13, 708.14,
D6/709, 709.1, 709.15
CPC A47B 3/00; A47B 3/002; A47B 2003/008;
A47B 5/04; A47B 7/00; A47B 19/08;
A47B 21/00; A47B 83/02; A47B
21/0314; A47B 2021/0335; A47C 4/021;
A47C 11/00; A47C 13/00
See application file for complete search history.

(56) **References Cited**

U.S. PATENT DOCUMENTS

- D283,094 S * 3/1986 Strand D6/654
- D302,890 S * 8/1989 Ng D34/21
- D427,804 S * 7/2000 Olson D6/653
- D546,503 S * 7/2007 Kreiss D6/653
- D723,306 S * 3/2015 Kielwasser D6/645
- D851,964 S * 6/2019 Davis D6/655.11
- D888,466 S * 6/2020 Li D6/654.1
- D909,099 S 2/2021 Li
- D912,441 S * 3/2021 He D6/653.11

- D917,935 S * 5/2021 Huang D6/656.17
- D945,797 S * 3/2022 Davis D6/654.11
- D947,578 S * 4/2022 Hu D6/654.21

(Continued)

OTHER PUBLICATIONS

Fezibo Desk retrieved from amazon.sa, posting date Mar. 21, 2021, online, retrieved Dec. 13, 2022, URL:https://www.amazon.sa/-/en/FEZIBO-Height-Adjustable-Electric-Storage/dp/B08GL98LG3/ref=sr_1_7?crd=2TE8MYHQREUUQ (Year: 2021).*

(Continued)

Primary Examiner — Mary Shannon Malley
Assistant Examiner — Michelle Marquart Christeon
(74) *Attorney, Agent, or Firm* — Daniel M. Cohn;
Howard M. Cohn

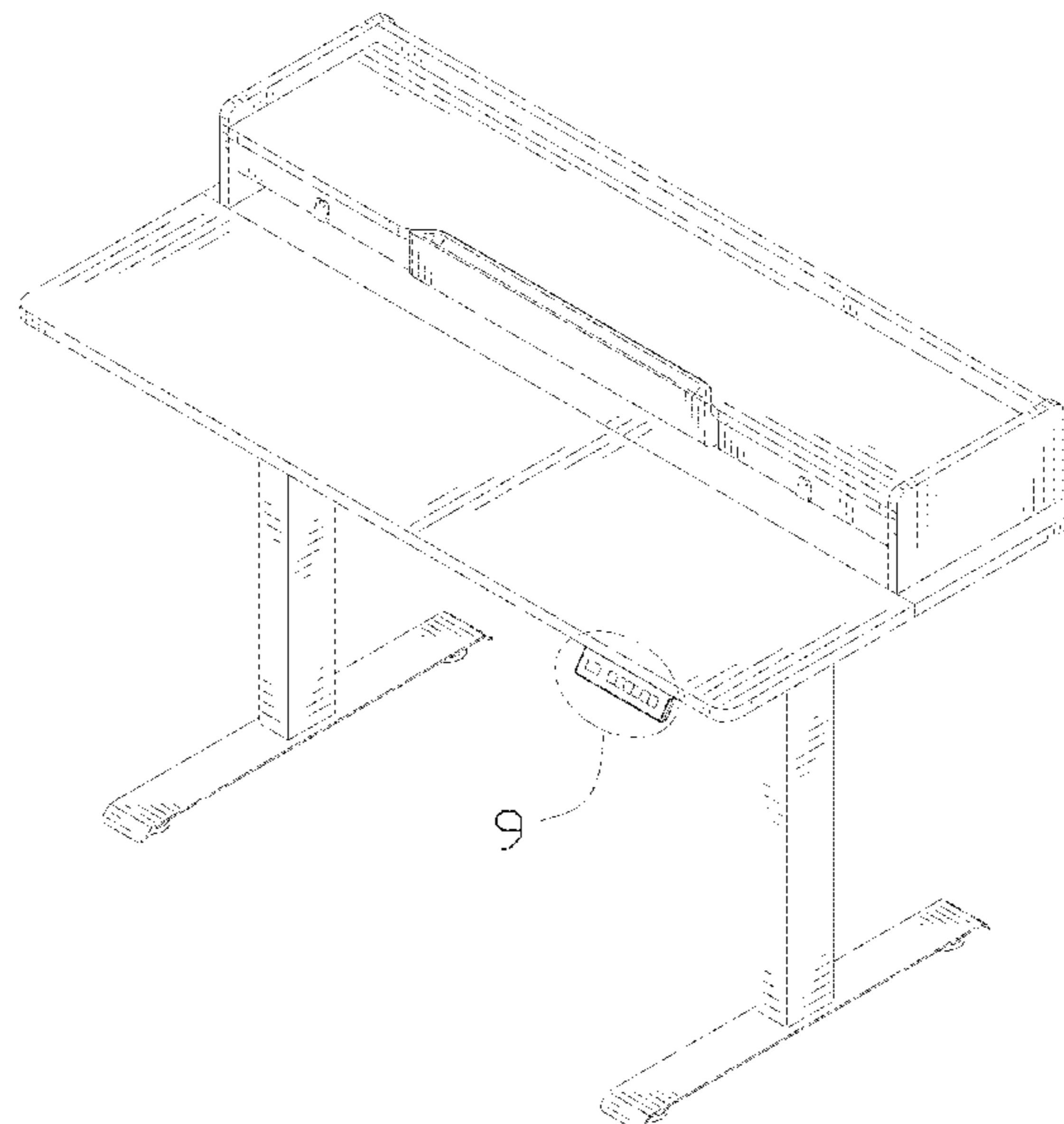
(57) **CLAIM**

The ornamental design for a desk, as shown and described.

DESCRIPTION

FIG. 1 is a perspective view of a desk showing my new design;
FIG. 2 is another perspective view thereof;
FIG. 3 is a front elevational view thereof;
FIG. 4 is a rear elevational view thereof;
FIG. 5 is a left side elevational view thereof;
FIG. 6 is a right side elevational view thereof;
FIG. 7 is a top plan view thereof;
FIG. 8 is a bottom plan view thereof;
FIG. 9 is an enlarged view of portion 9 shown in FIG. 1;
FIG. 10 is an enlarged view of portion 10 shown in FIG. 2;
and,
FIG. 11 is a perspective view of the desk, shown in an open configuration.
The dash-dash broken lines in the drawings depict portions of the desk that form no part of the claimed design. The dot-dash broken lines represent boundaries of the enlarged portions and form no part of the claimed design.

1 Claim, 11 Drawing Sheets



(56)

References Cited

U.S. PATENT DOCUMENTS

D966,751 S 10/2022 Huo et al.
2019/0374024 A1* 12/2019 Elliott A47B 13/088

OTHER PUBLICATIONS

Rolanstar Desk retrieved from amazon.ca, posting date Aug. 9, 2021, online, retrieved Dec. 13, 2022, URL:<https://www.amazon.ca/Rolanstar-Adjustable-Standing-Electric-Headphone/dp/B09BHT3XP2?th=1> (Year: 2021).*

* cited by examiner

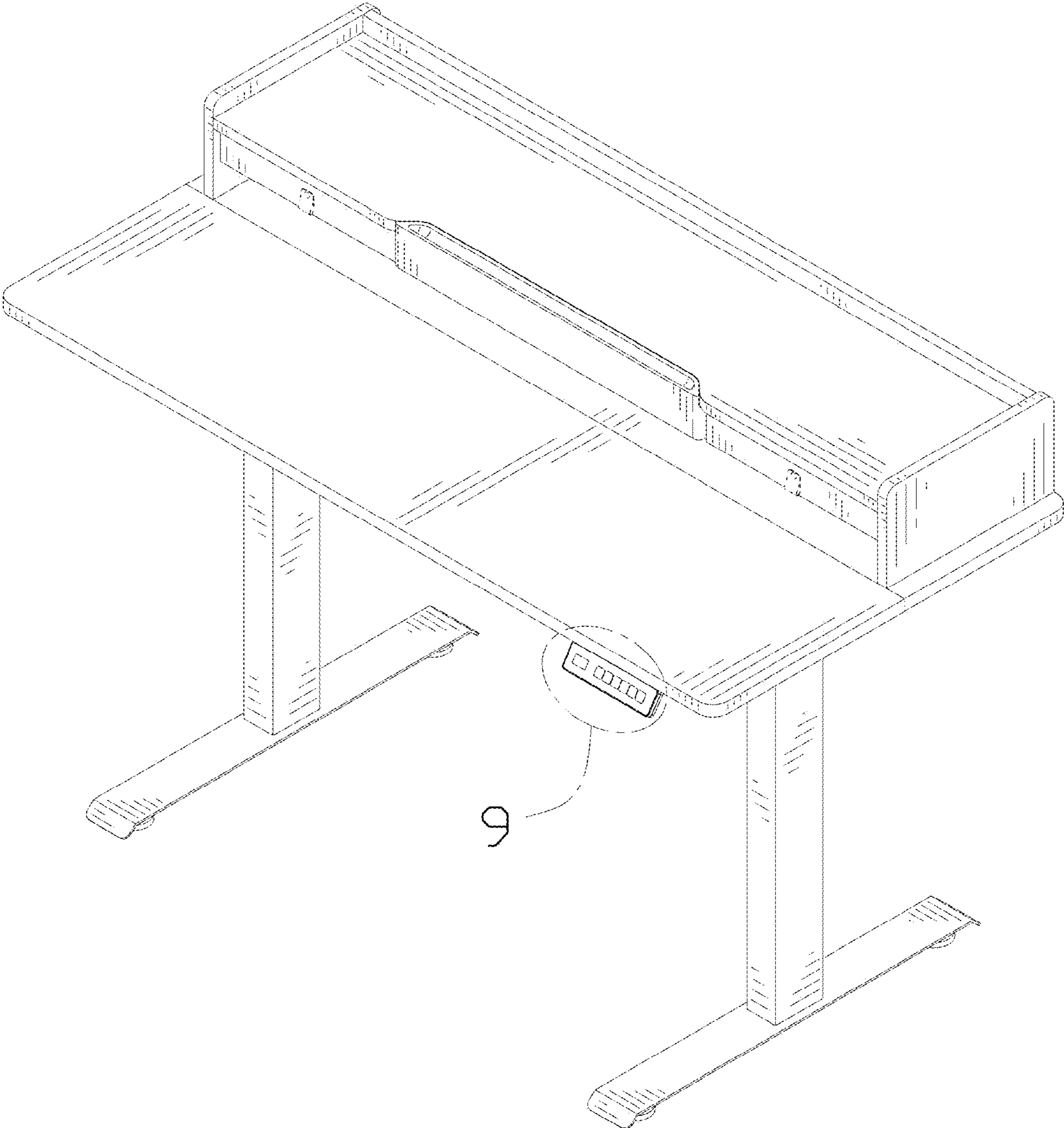


FIG. 1

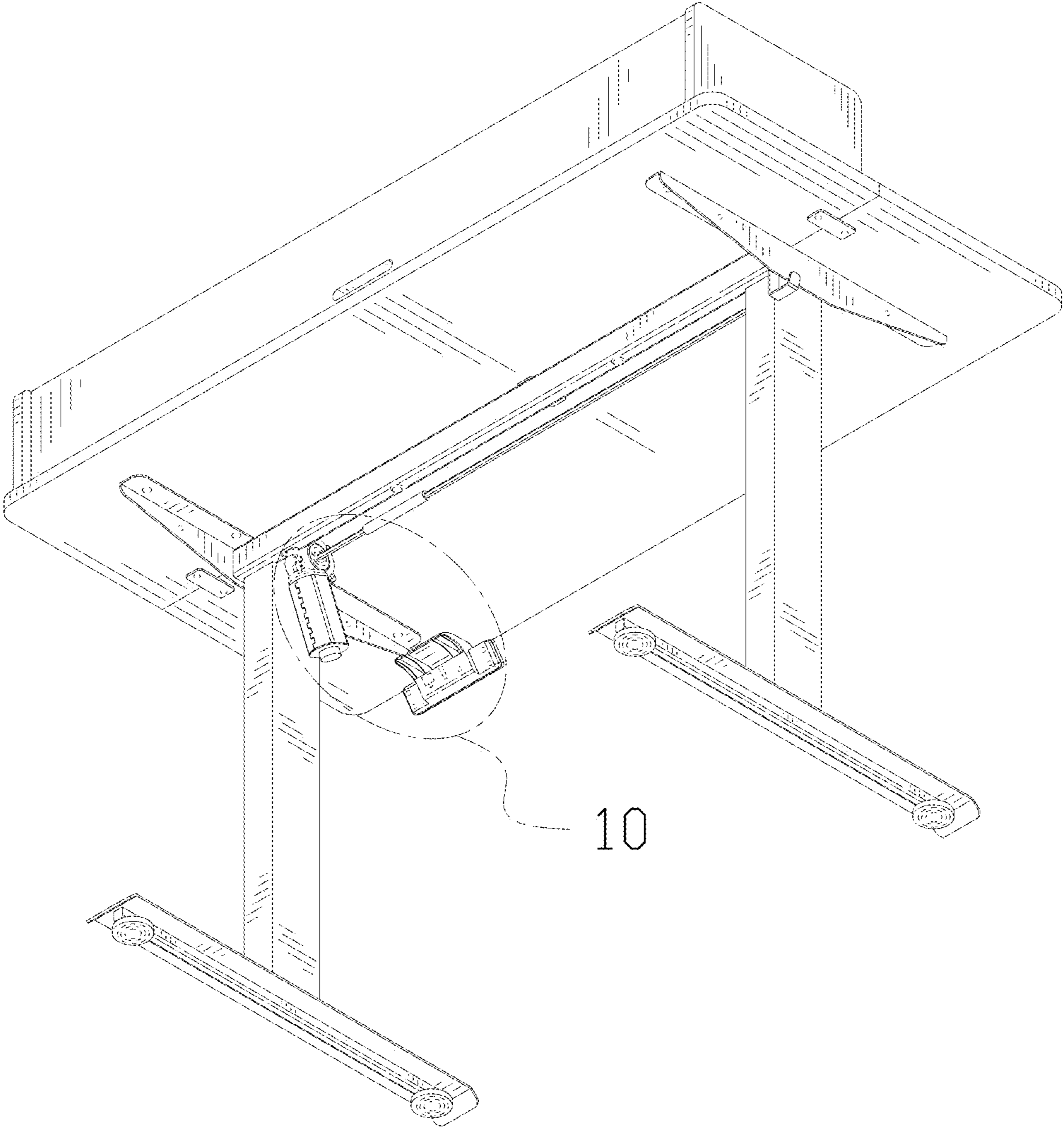


FIG. 2

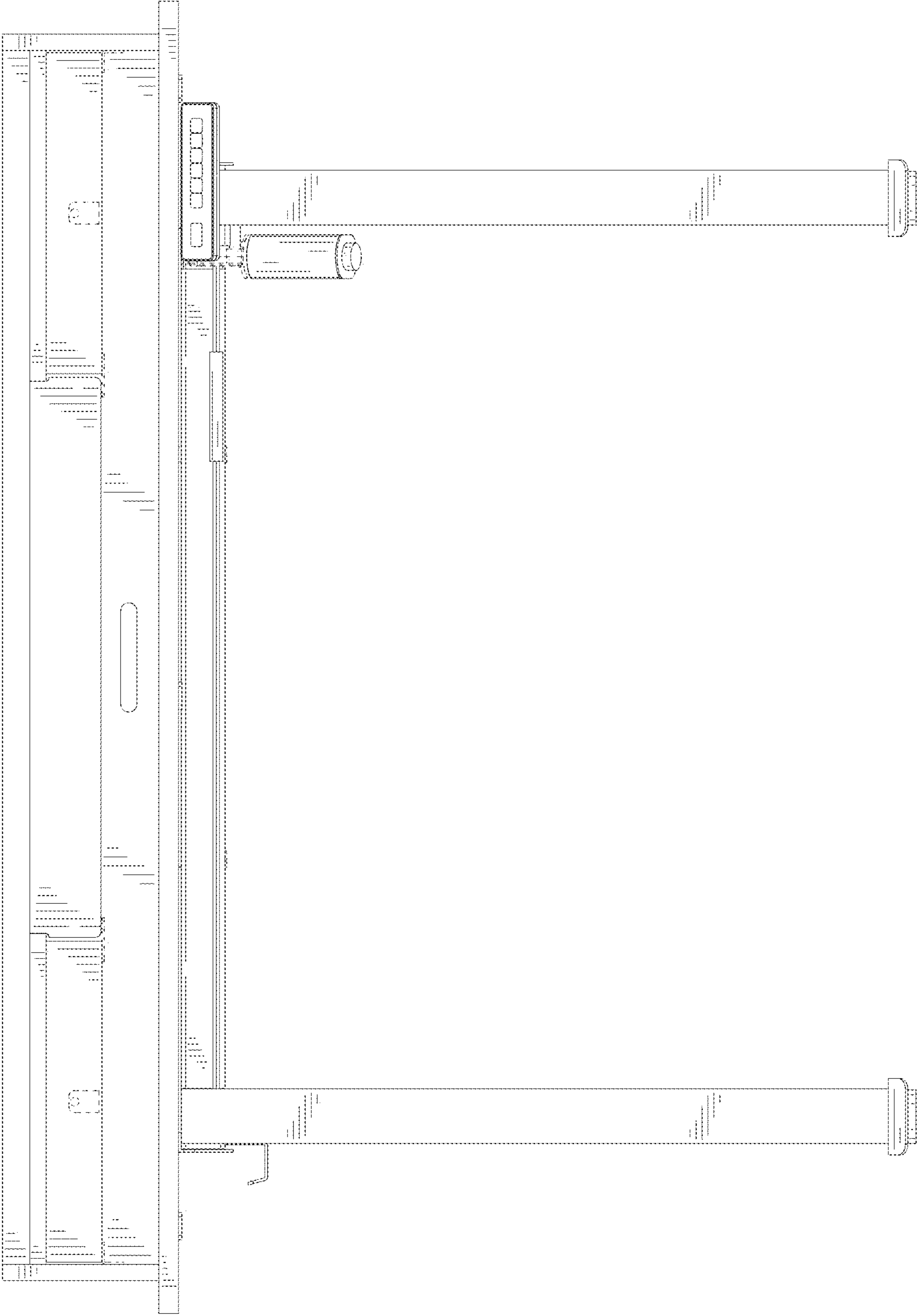


FIG. 3

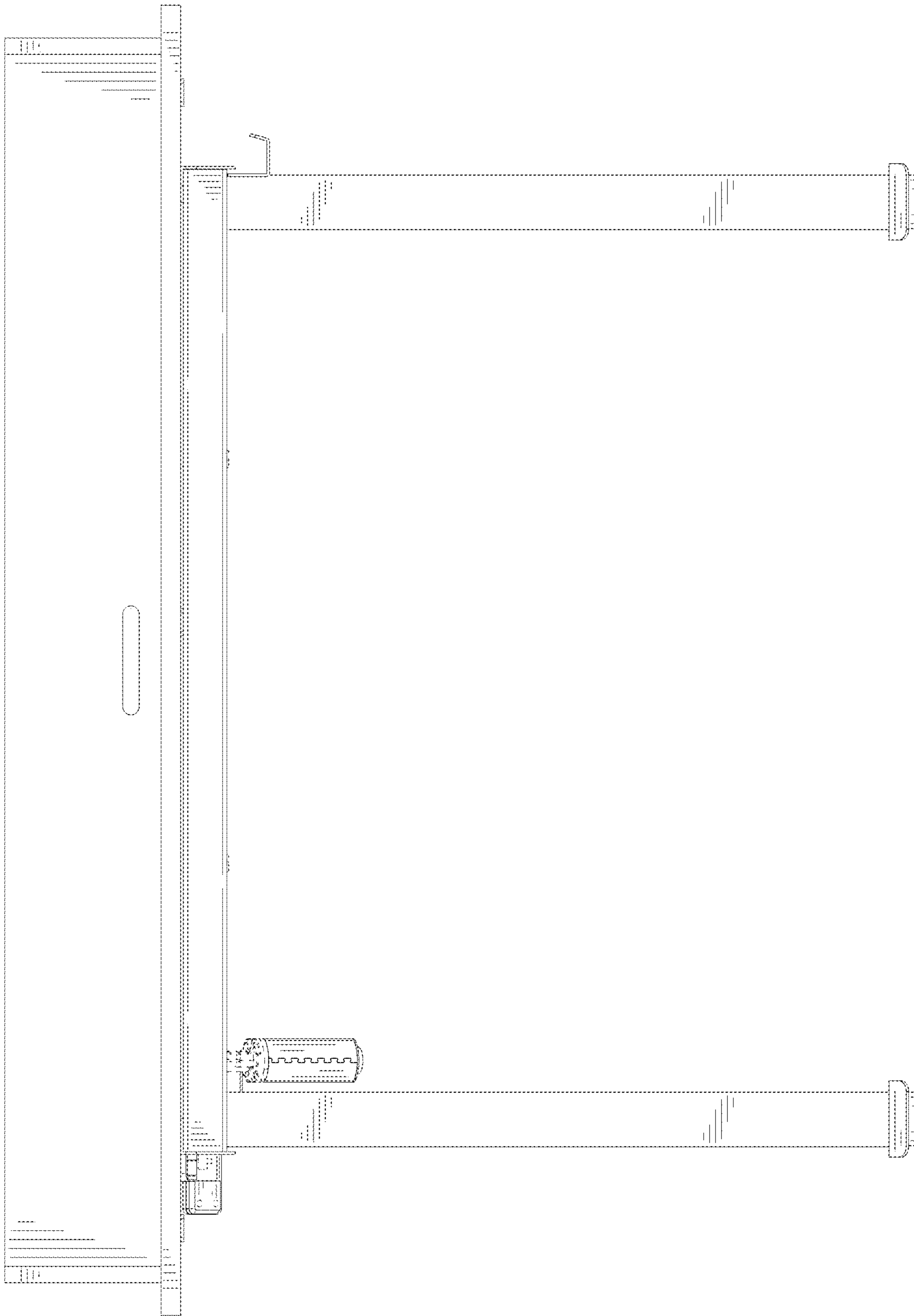


FIG. 4

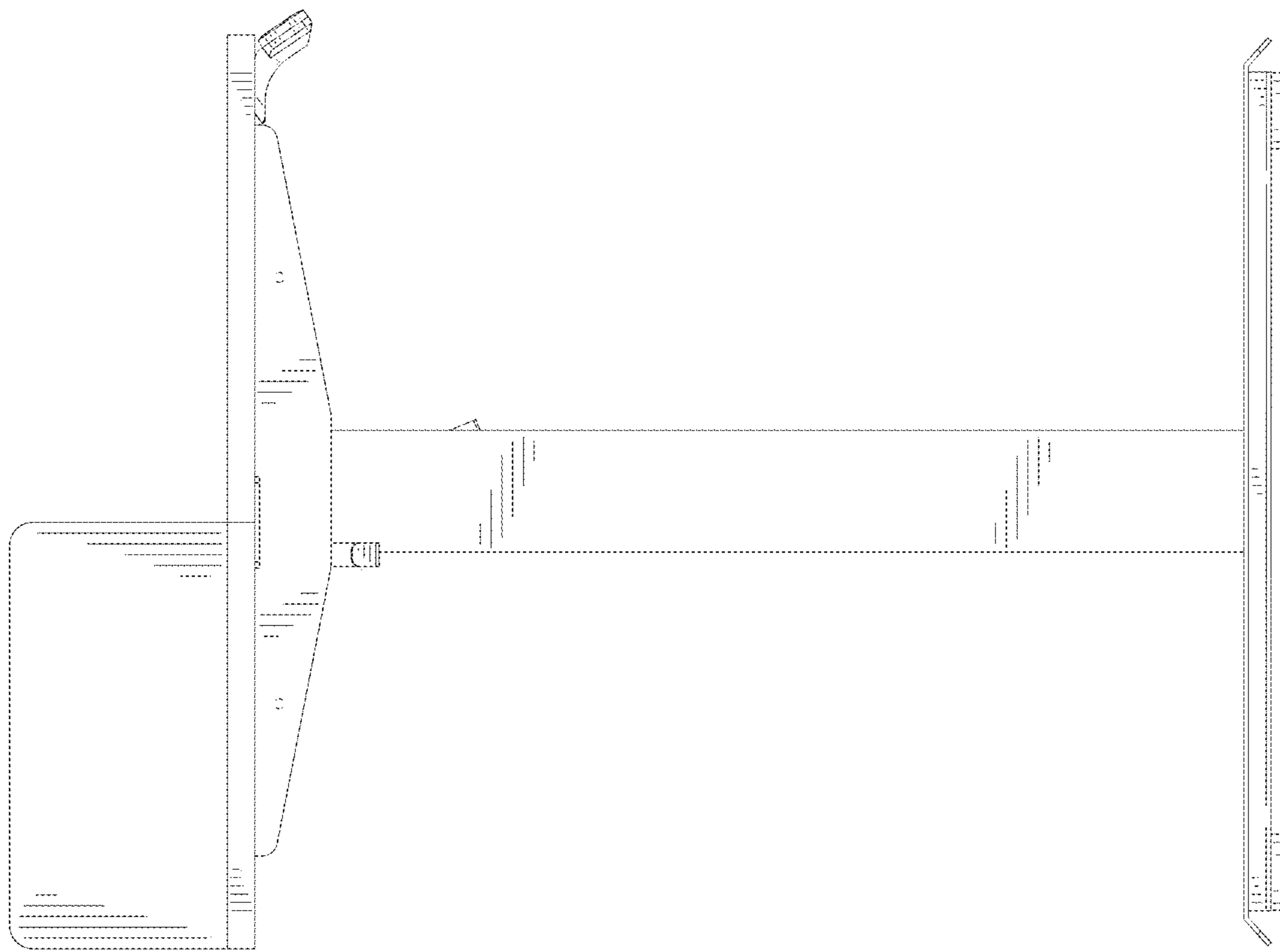
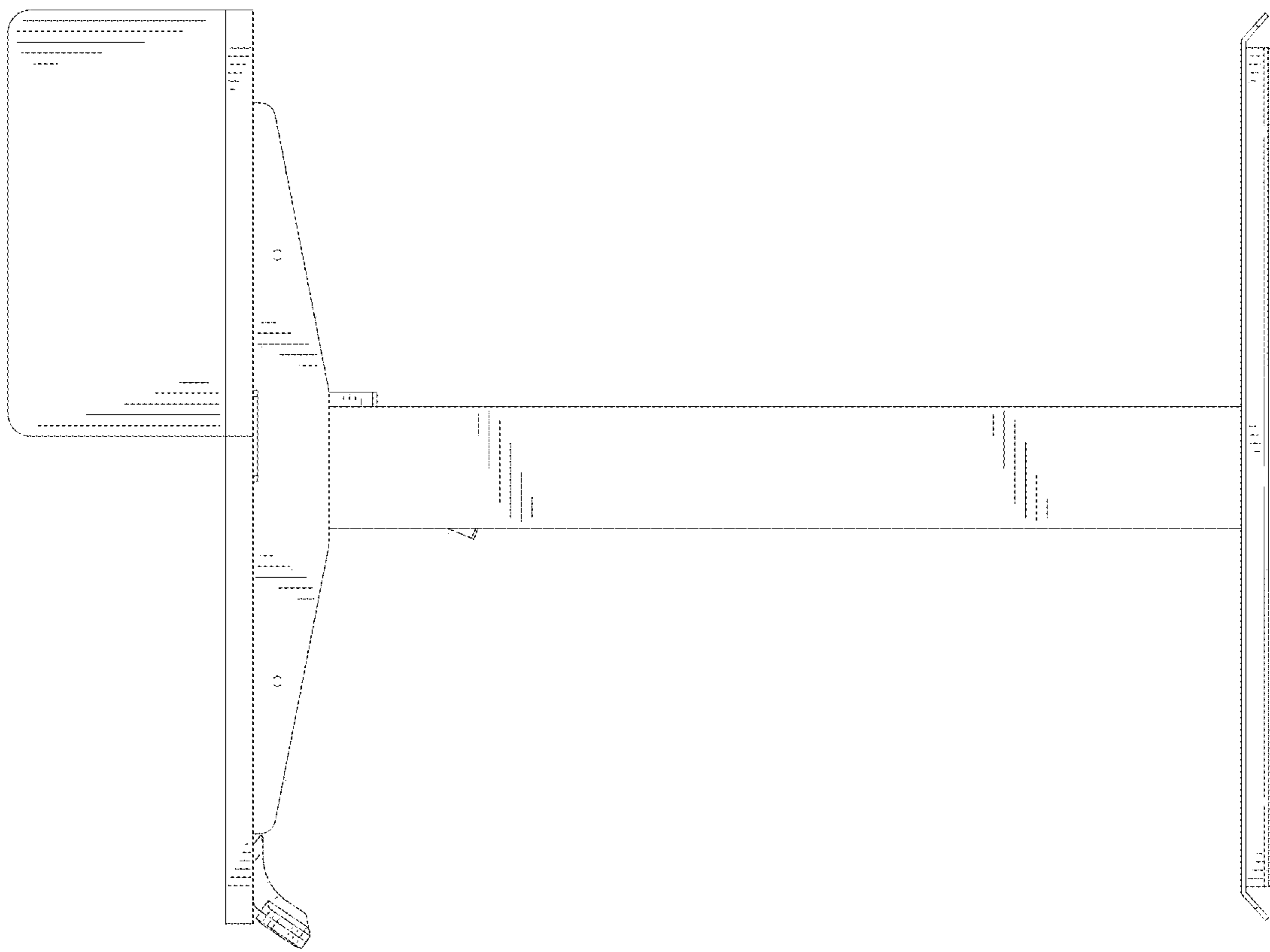


FIG. 5



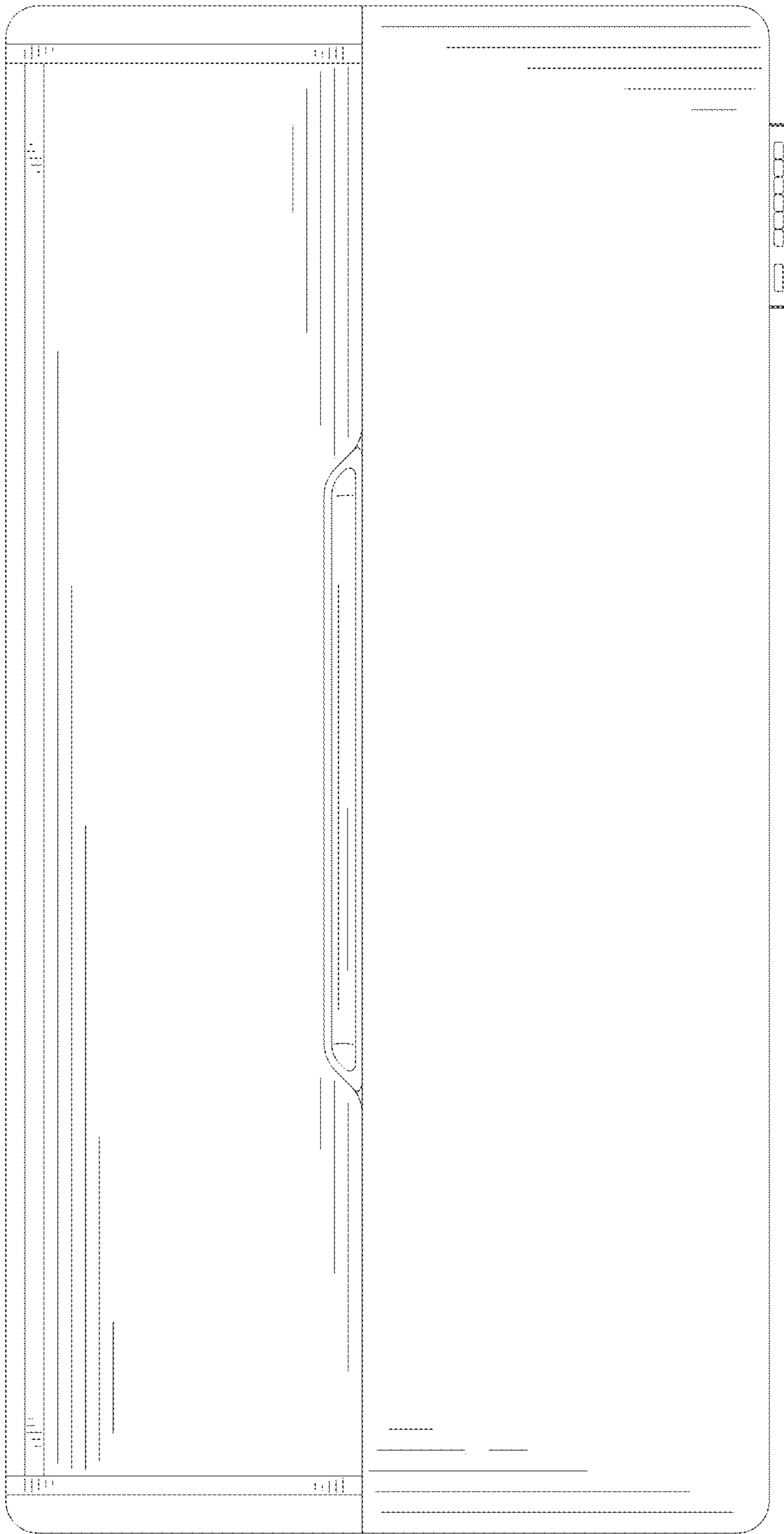


FIG. 7

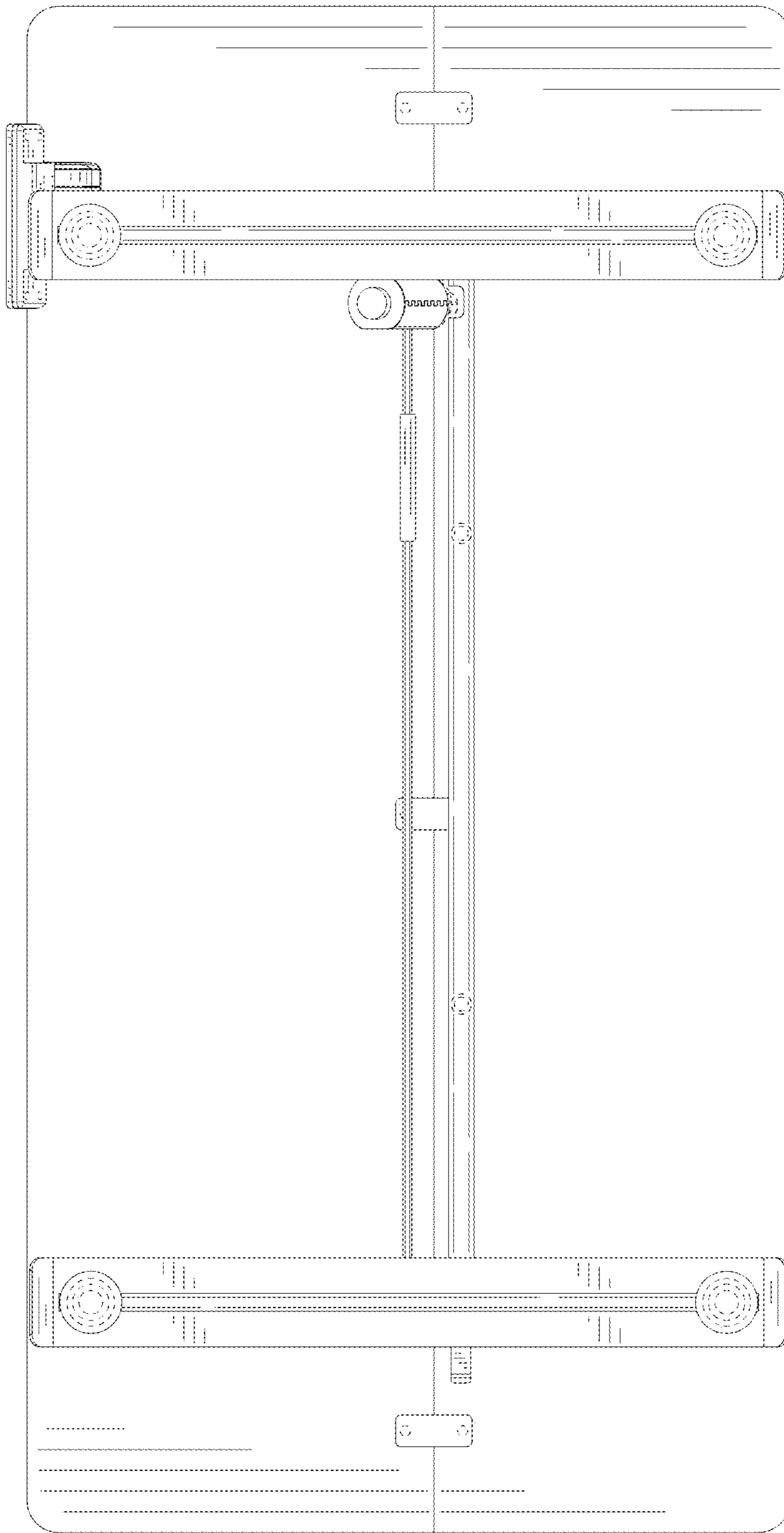


FIG. 8

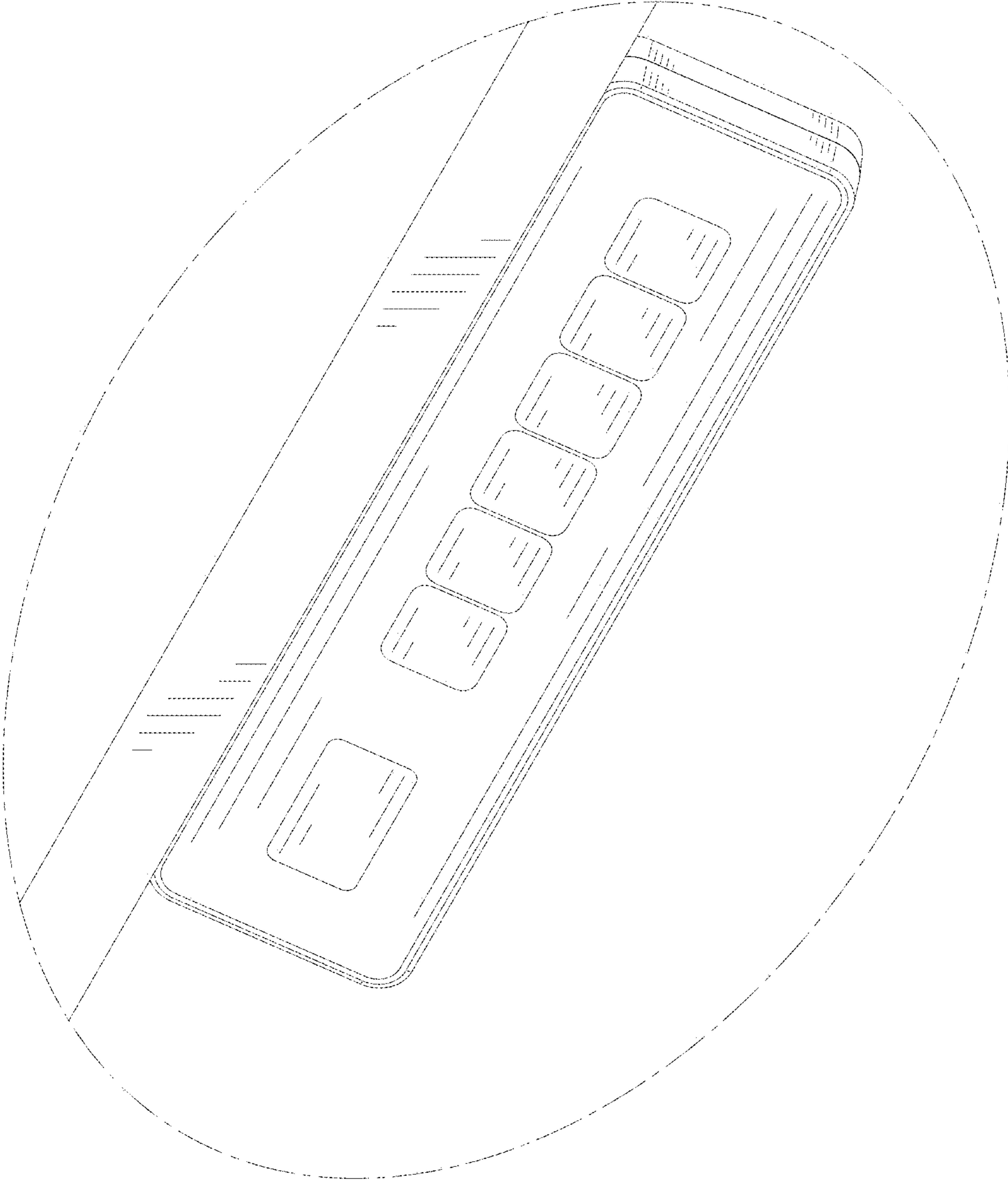


FIG. 9

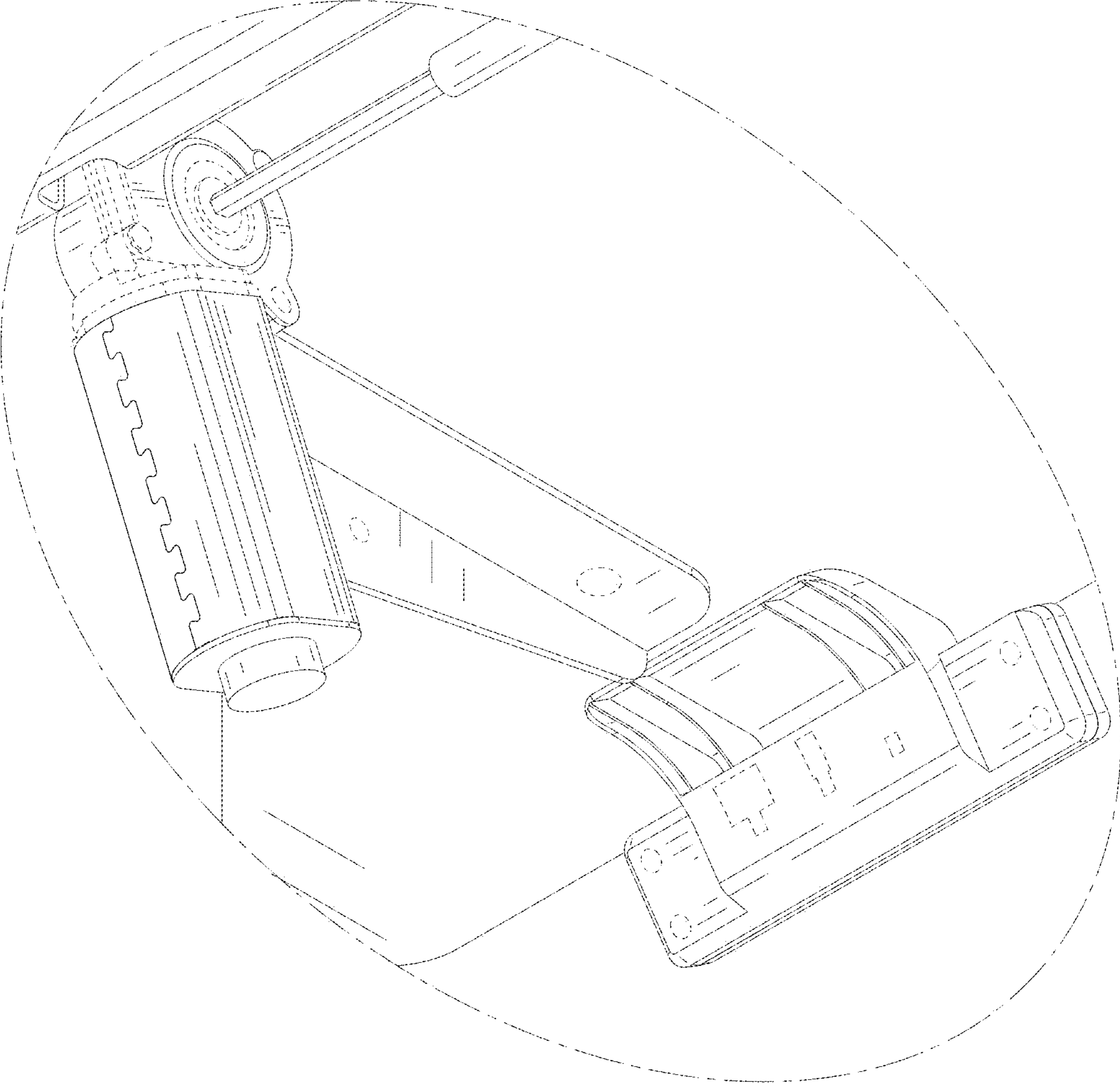


FIG. 10

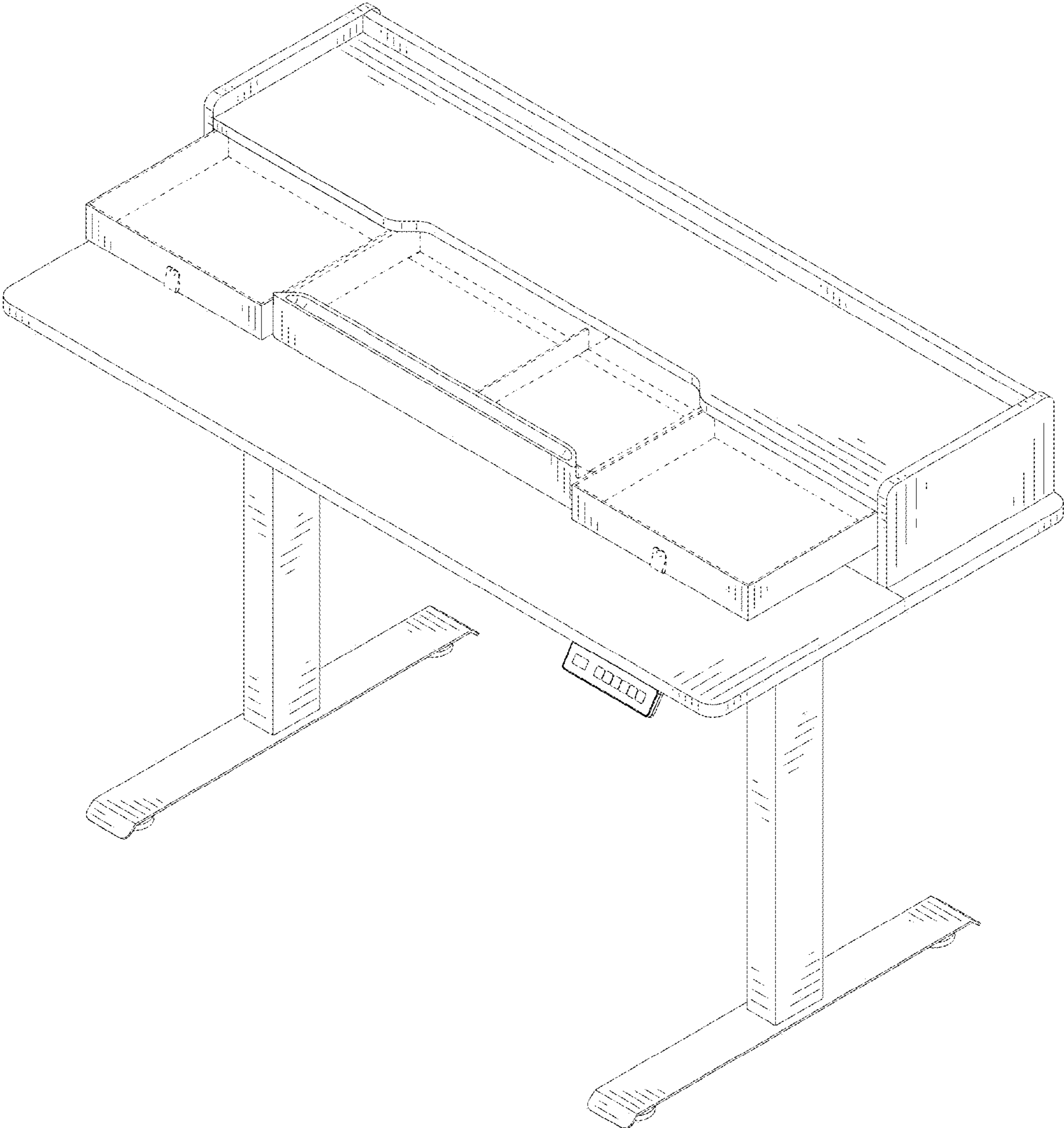


FIG. 11