



US00D984176S

(12) **United States Design Patent**  
**Wu**

(10) **Patent No.:** **US D984,176 S**  
(45) **Date of Patent:** **\*\* Apr. 25, 2023**

(54) **ESPORTS DESK**  
(71) Applicant: **GENOVA INC**, Diamond Bar, CA (US)  
(72) Inventor: **Peng Wu**, Shanghai (CN)  
(73) Assignee: **GENOVA INC**, Diamond Bar, CA (US)  
(\*\*) Term: **15 Years**

D882,300 S 4/2020 Li  
D891,823 S 8/2020 Li  
D910,341 S \* 2/2021 Ye ..... D6/648  
D916,532 S \* 4/2021 Chen ..... D6/656.16  
D916,533 S \* 4/2021 Huang ..... D6/656.16  
D917,934 S 5/2021 Chu  
D933,400 S \* 10/2021 Wang ..... D6/648  
D936,393 S \* 11/2021 Li ..... D6/648

(Continued)

(21) Appl. No.: **29/849,271**  
(22) Filed: **Aug. 10, 2022**  
(30) **Foreign Application Priority Data**

Feb. 10, 2022 (CN) ..... 202230067235.8

(51) **LOC (14) Cl.** ..... **06-03**  
(52) **U.S. Cl.**  
USPC ..... **D6/648**

(58) **Field of Classification Search**  
USPC ..... D6/334, 335, 349, 353, 355, 641, 642,  
D6/648, 651, 652, 655, 655.1, 655.14,  
D6/655.21, 685, 686, 688, 688.1, 688.11,  
D6/688.19, 688.21, 691, 691.1, 691.3,  
D6/691.8, 691.9, 708, 708.1, 708.13,  
D6/708.14, 709, 709.1, 709.15  
CPC ..... A47B 3/00; A47B 3/002; A47B 2003/008;  
A47B 5/04; A47B 7/00; A47B 19/08;  
A47B 21/00; A47B 83/02; A47B  
21/0314; A47B 2021/0335; A47C 4/021;  
A47C 11/00; A47C 13/00  
See application file for complete search history.

(56) **References Cited**  
U.S. PATENT DOCUMENTS

D495,525 S 9/2004 Chang  
D606,341 S \* 12/2009 Kitada ..... D6/648  
D788,496 S \* 6/2017 Yamamoto ..... D6/648  
D788,497 S \* 6/2017 Yamamoto ..... D6/648

**OTHER PUBLICATIONS**

Vivo L Shaped Desk, retrieved from amazon.com, posting date Jul. 22, 2021, online, retrieved Dec. 13, 2022, URL:https://www.amazon.com/dp/B09B2VDSYJ/ref=sspa\_dk\_detail\_3?pd\_rd\_i=B09B2VDSYJ (Year: 2021).\*

(Continued)

*Primary Examiner* — Mary Shannon Malley  
*Assistant Examiner* — Michelle Marquart Christeon  
(74) *Attorney, Agent, or Firm* — Bayramoglu Law Offices LLC

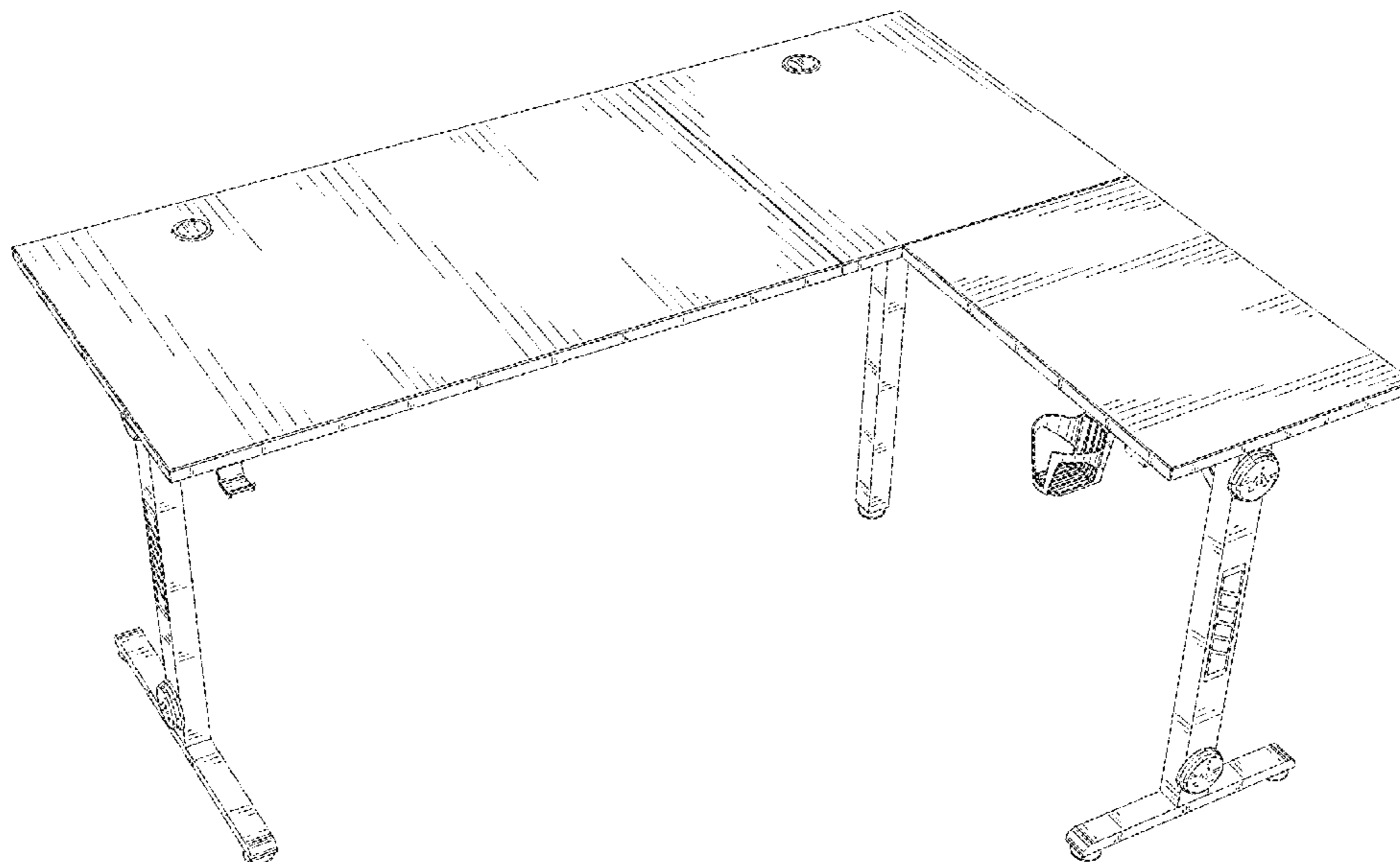
(57) **CLAIM**

The ornamental design for an esports desk, as shown and described.

**DESCRIPTION**

FIG. 1 is a perspective view of an esports desk showing my new design;  
FIG. 2 is a front view thereof;  
FIG. 3 is a rear view thereof;  
FIG. 4 is a left side view thereof;  
FIG. 5 is a right side view thereof;  
FIG. 6 is a top view thereof; and,  
FIG. 7 is a perspective view thereof in another configuration.  
The broken lines depict portions of the esports desk that form no part of the claimed design.

**1 Claim, 7 Drawing Sheets**



(56)

**References Cited**

U.S. PATENT DOCUMENTS

D954,472 S \* 6/2022 Li ..... D6/648  
D966,015 S \* 10/2022 Chen ..... D6/655.21

OTHER PUBLICATIONS

Outfine Desk with Cupholders and Hook, retrieved from amazon.com, posting date Dec. 31, 2020, online, retrieved Dec. 13, 2022, URL: [https://www.amazon.com/OUTFINE-Adjustable-Standing-Electric-Workstation/dp/B08RS6GW6P/ref=pd\\_lpo\\_1?pd\\_rd\\_w=J7MIY](https://www.amazon.com/OUTFINE-Adjustable-Standing-Electric-Workstation/dp/B08RS6GW6P/ref=pd_lpo_1?pd_rd_w=J7MIY) (Year: 2020).\*

JWX L Shaped Desk, retrieved from amazon.com, posting date Mar. 17, 2022, online, retrieved Dec. 13, 2022, URL:<https://www.amazon.com/L-Shaped-Electric-Standing-Adjustable-Headphone/dp/B09VT3X2LZ?th=1> (Year: 2022).\*

\* cited by examiner

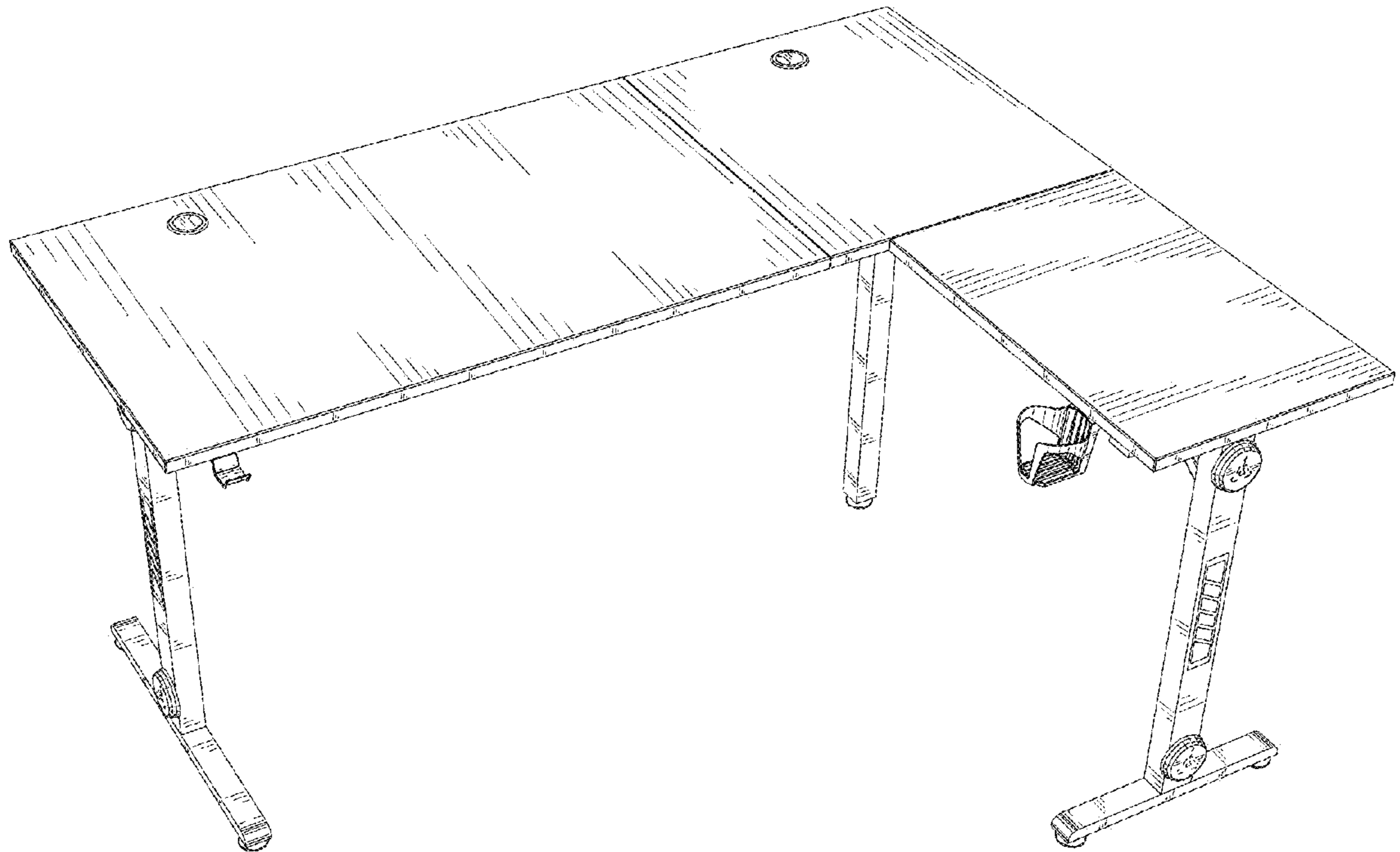


Fig. 1

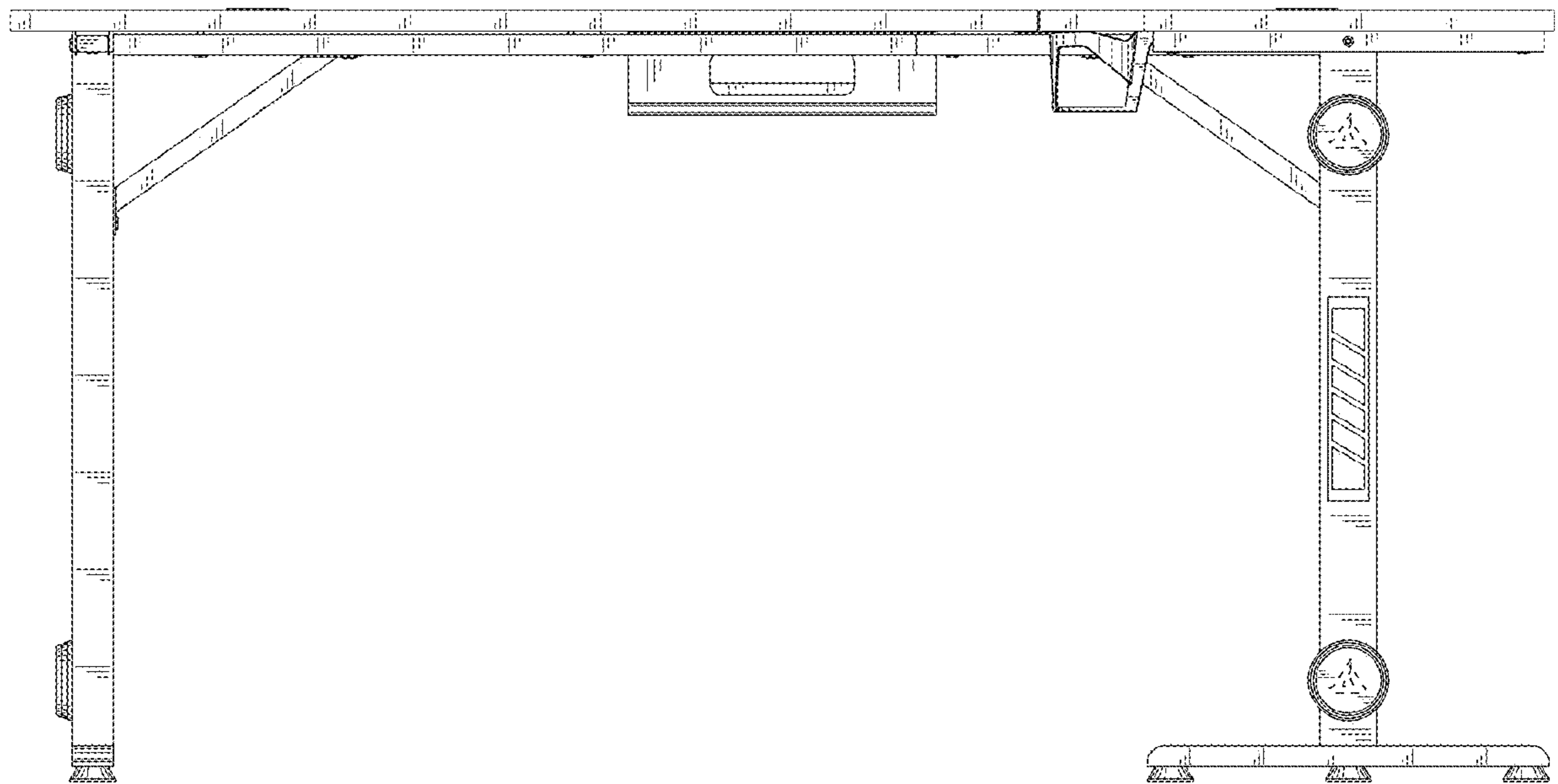


Fig. 2

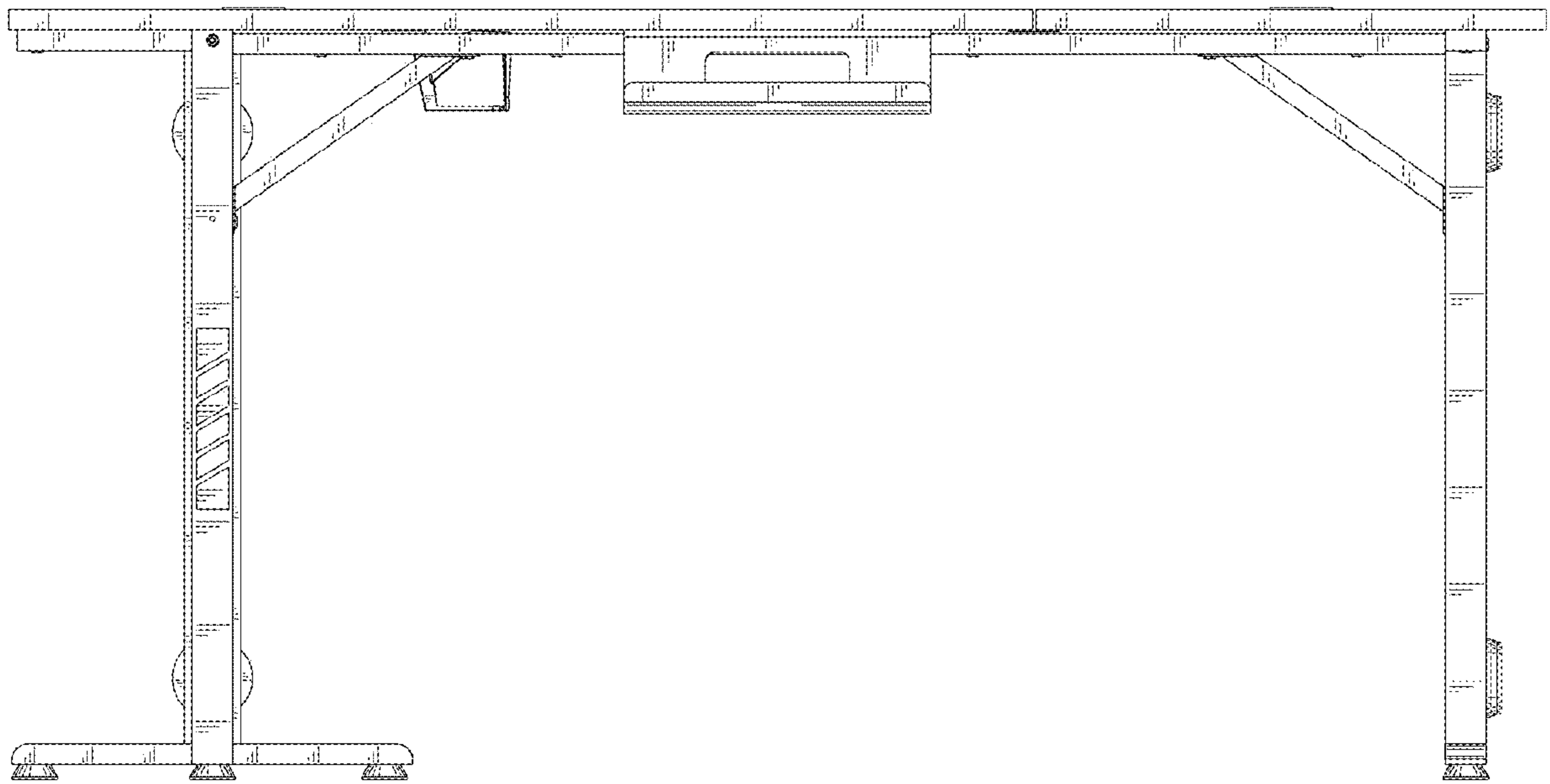


Fig. 3

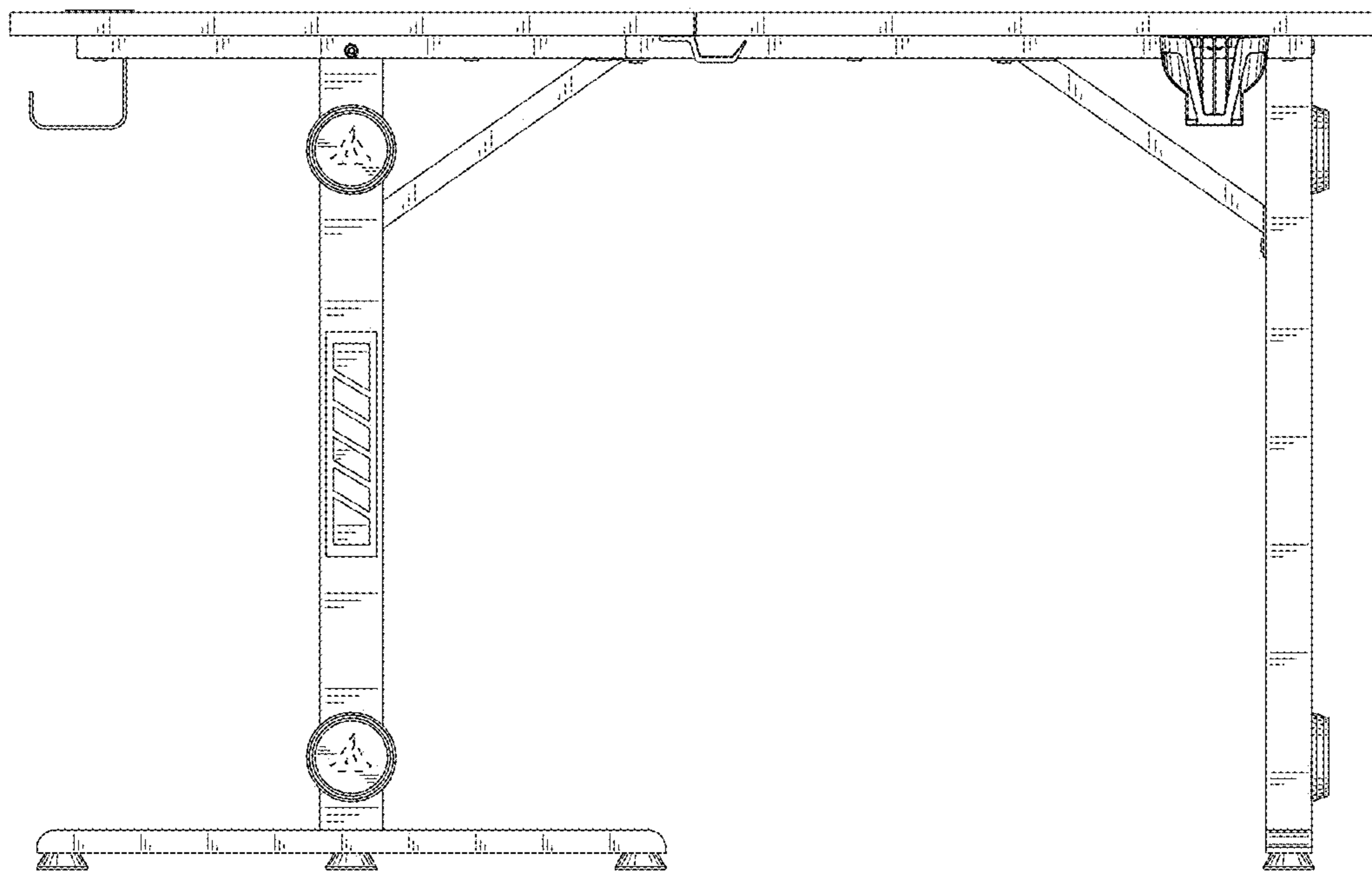


Fig. 4

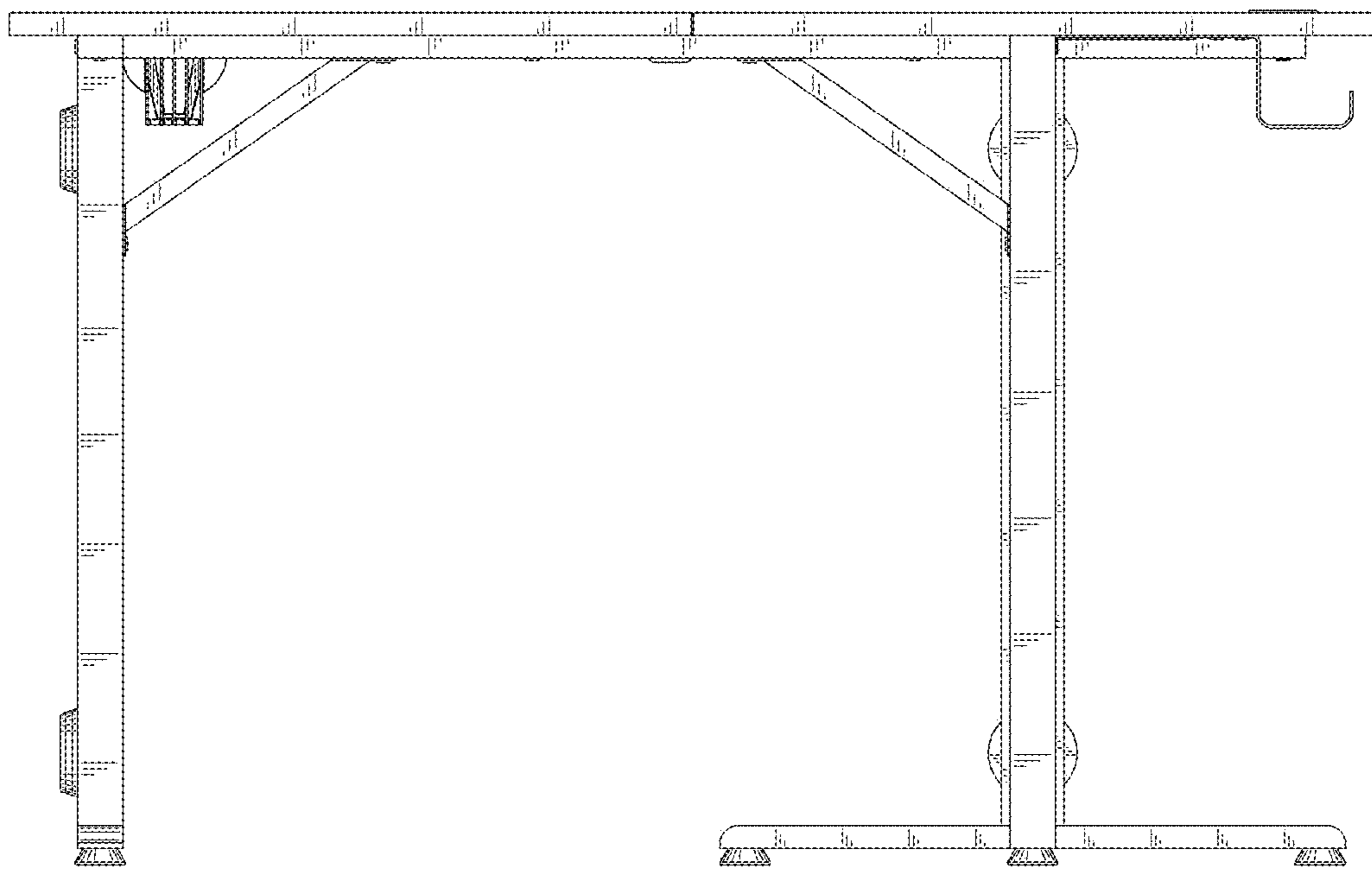


Fig. 5

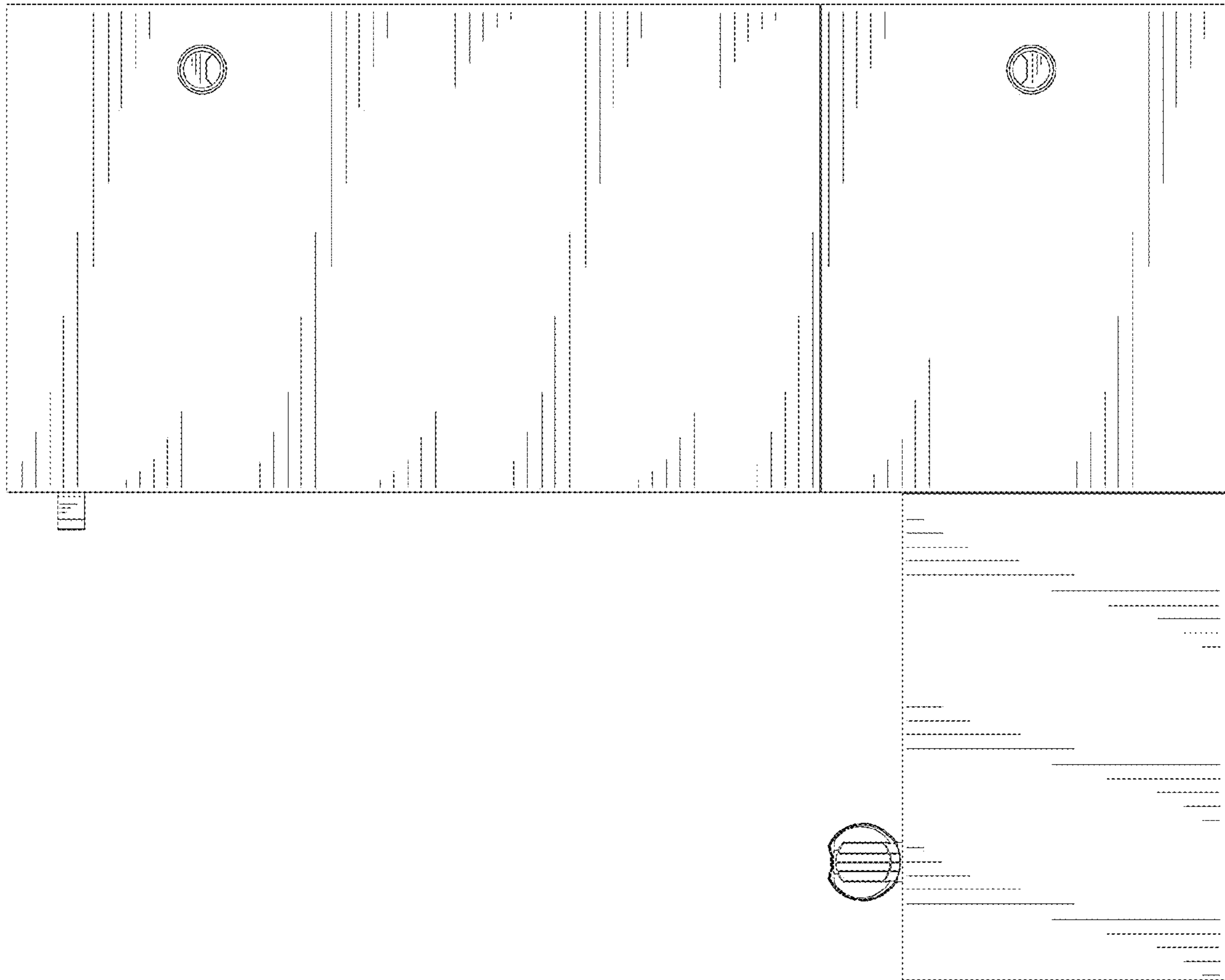


Fig. 6



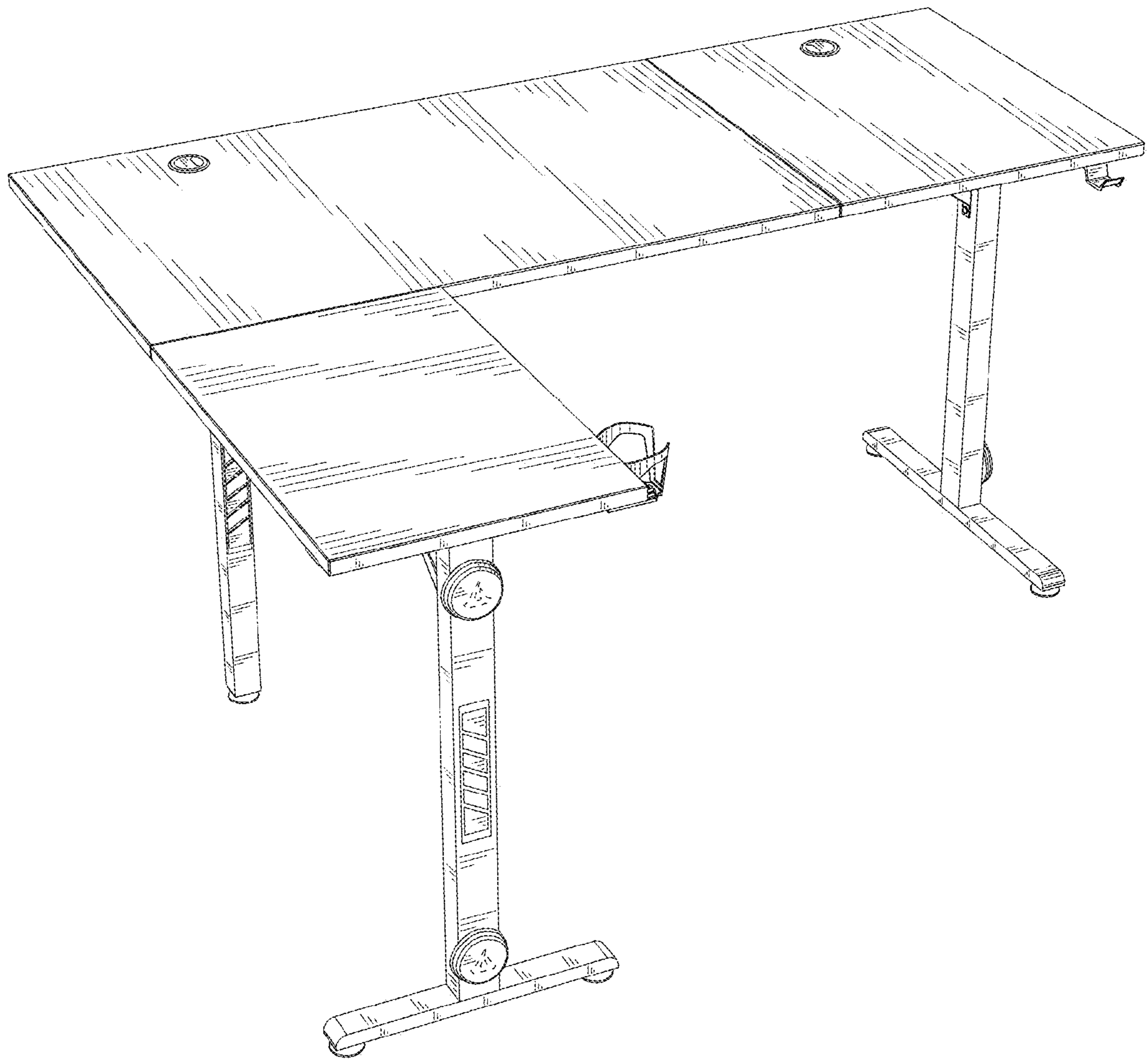


Fig. 7