



US00D984173S

(12) **United States Design Patent** (10) **Patent No.:** **US D984,173 S**  
**Liu** (45) **Date of Patent:** **\*\* Apr. 25, 2023**

(54) **PILLOW**  
(71) Applicant: **Xingzhong Liu**, Shenzhen (CN)  
(72) Inventor: **Xingzhong Liu**, Shenzhen (CN)

D907,942 S 1/2021 You  
D912,437 S 3/2021 Yang  
D913,013 S \* 3/2021 Rensin ..... D6/601  
(Continued)

(\*\*) Term: **15 Years**  
(21) Appl. No.: **29/794,857**

FOREIGN PATENT DOCUMENTS

CN 306709408 \* 7/2021  
CN 306867100 \* 10/2021  
CN 307091902 \* 2/2022

(22) Filed: **Jun. 15, 2021**  
(51) **LOC (14) Cl.** ..... **06-09**  
(52) **U.S. Cl.**  
USPC ..... **D6/601**  
(58) **Field of Classification Search**  
USPC ..... D6/595, 596, 601, 603, 604, 606;  
D21/439, 440; D24/183, 184, 803, 804,  
D24/805  
CPC ..... A47G 9/10; A47G 2009/1018; A47G  
9/1072; A47G 9/1054; A47G 9/1009;  
A47G 9/109; A47G 9/1081; A47C 19/00;  
A47C 21/026; A47C 27/00; A47C 27/08  
See application file for complete search history.

OTHER PUBLICATIONS

Osteo Cervical Pillow (“OSTEO”), date first available Jul. 12, 2021 [online]. [retrieved Nov. 14, 2022]. Retrieved from internet, <https://www.amazon.com/Osteo-Cervical-Odorless-Adjustable-Orthopedic> (Year: 2021) (Year: 2021).\*  
(Continued)

*Primary Examiner* — Jennifer L Watkins  
*Assistant Examiner* — Bryan Coauhtemoc Gusman

(57) **CLAIM**

The ornamental design for a pillow, as shown and described.

**DESCRIPTION**

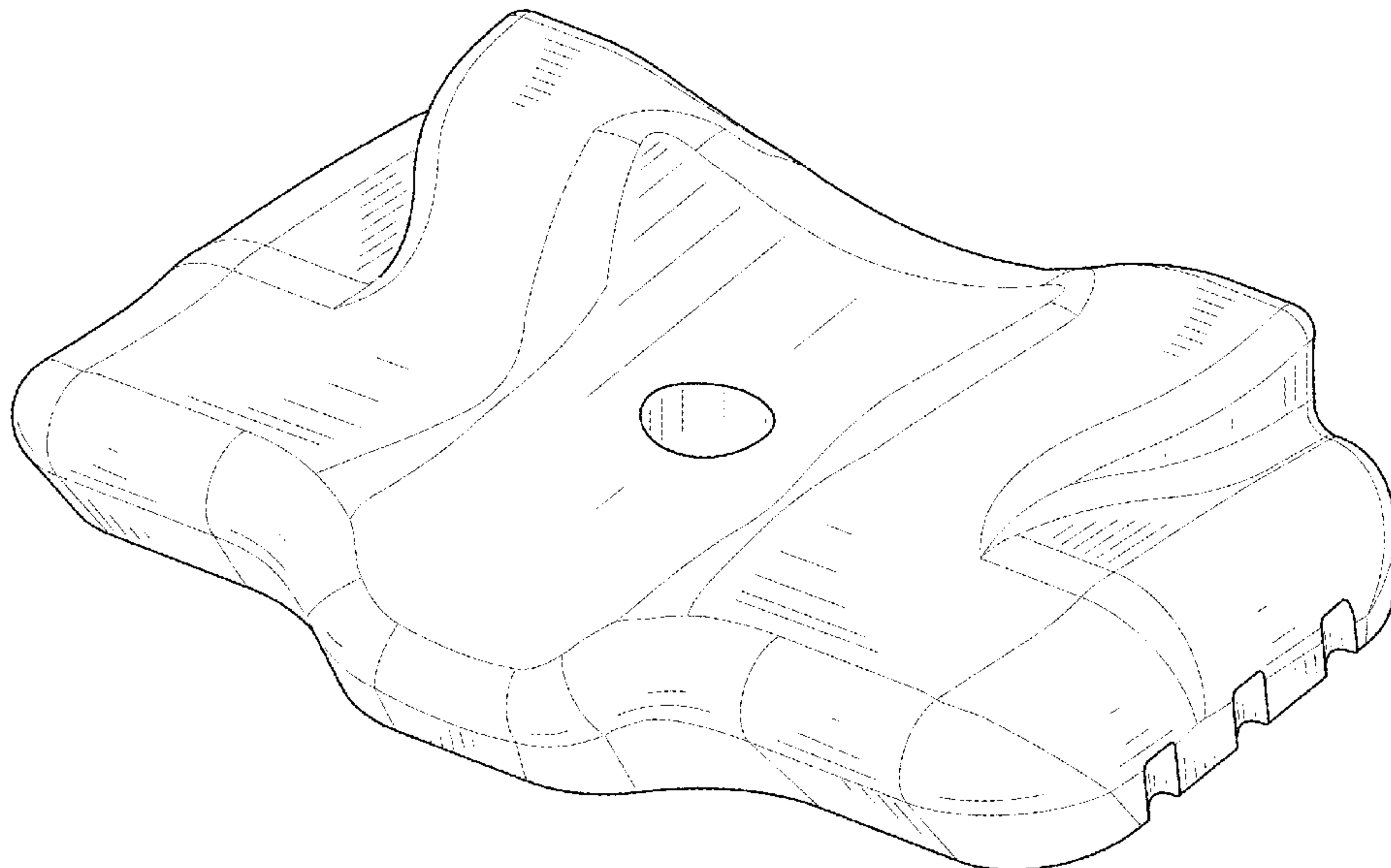
FIG. 1 is a front, right side, bottom perspective view of a pillow showing my new design;  
FIG. 2 is a rear, right side, top perspective view thereof;  
FIG. 3 is a front elevational view thereof;  
FIG. 4 is a rear elevational view thereof;  
FIG. 5 is a left side elevational view thereof;  
FIG. 6 is a right side elevational view thereof;  
FIG. 7 is a top plan view thereof;  
FIG. 8 is a bottom plan view thereof; and,  
FIG. 9 is a rear, right side, top perspective view thereof with a central portion of the rear section of the pillow removed from the pillow.  
The broken depict portions of the pillow that form no part of the claimed design.

(56) **References Cited**

U.S. PATENT DOCUMENTS

2,940,088 A \* 6/1960 Boos ..... A47G 9/10  
5/636  
D363,403 S \* 10/1995 Dixon ..... 5/636  
D465,686 S \* 11/2002 Hwong ..... D6/601  
7,578,015 B1 \* 8/2009 Wilson ..... A47G 9/109  
5/639  
D759,406 S \* 6/2016 Peterson ..... D6/601  
D839,026 S 1/2019 Huang  
D851,961 S 6/2019 Rifelj  
D867,021 S \* 11/2019 Yang ..... D6/601  
D867,786 S 11/2019 Yu et al.  
D880,195 S \* 4/2020 Yang ..... D6/601  
D882,985 S 5/2020 Yu et al.  
D887,176 S 6/2020 Nielsen  
D898,427 S 10/2020 Chen

**1 Claim, 9 Drawing Sheets**



(56)

**References Cited**

U.S. PATENT DOCUMENTS

D915,792 S 4/2021 Shi  
D959,875 S \* 8/2022 Zhang ..... D6/601  
D959,876 S \* 8/2022 Zhang ..... D6/601  
D961,297 S \* 8/2022 Liu ..... D6/601  
D965,346 S \* 10/2022 Xia ..... D6/601  
2010/0205743 A1\* 8/2010 Harges ..... A47G 9/1027  
5/490  
2014/0075677 A1\* 3/2014 Raghuprasad ..... A47G 9/1027  
5/636  
2018/0042409 A1\* 2/2018 Johnson ..... A61G 13/121  
2020/0375382 A1\* 12/2020 Park ..... A47G 9/1081  
2022/0202212 A1\* 6/2022 Kim ..... A47G 9/109

OTHER PUBLICATIONS

Homca Cervical Pillow (“Homca”), date first available Aug. 20, 2020 [online], [retrieved Nov. 14, 2022]. Retrieved from internet, <https://www.amazon.com/HOMCA-Memory-Foam-Cervical-Pillow/dp/B08GC153VX?th=1> (Year: 2020).\*

\* cited by examiner

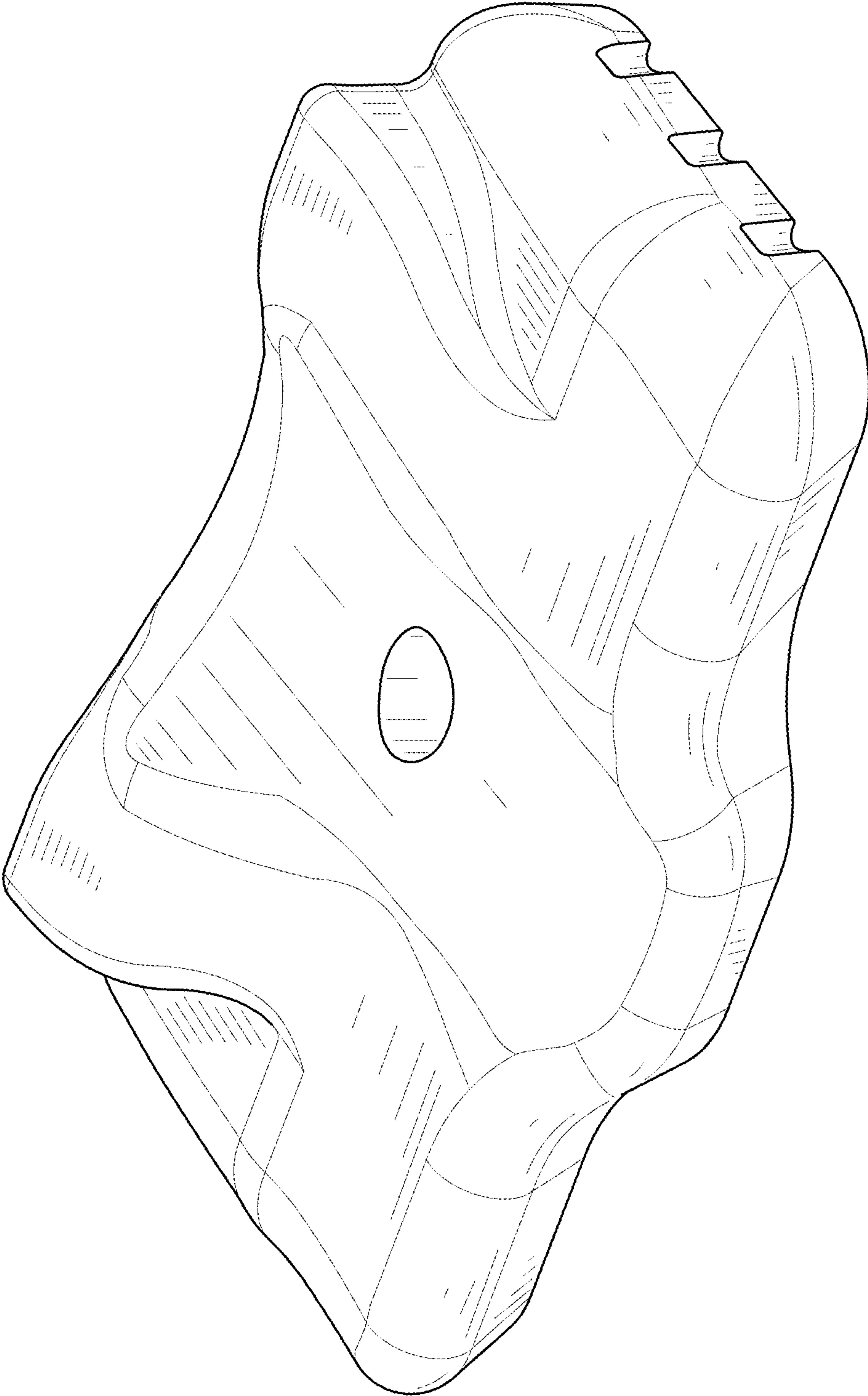


FIG. 1

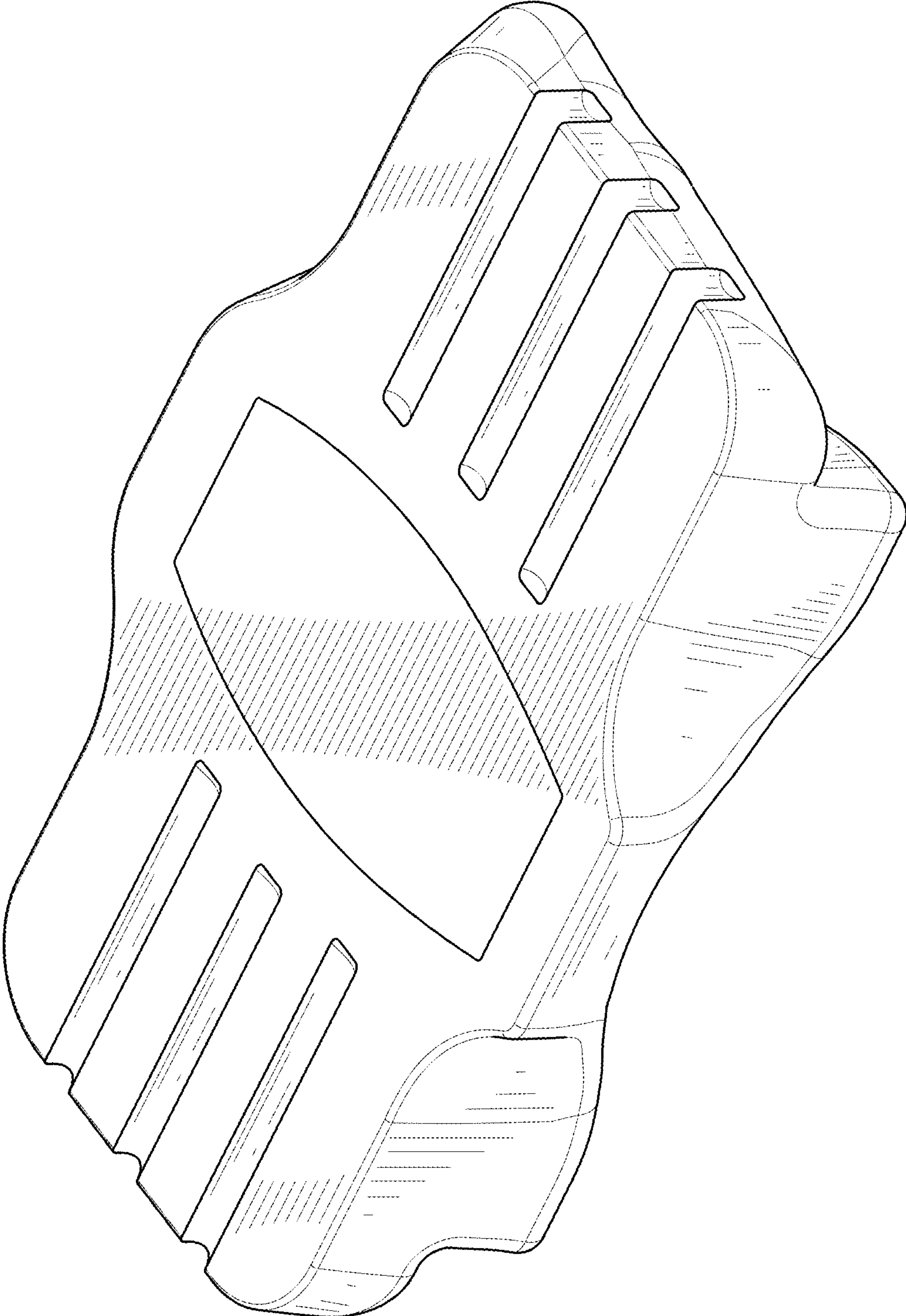


FIG. 2



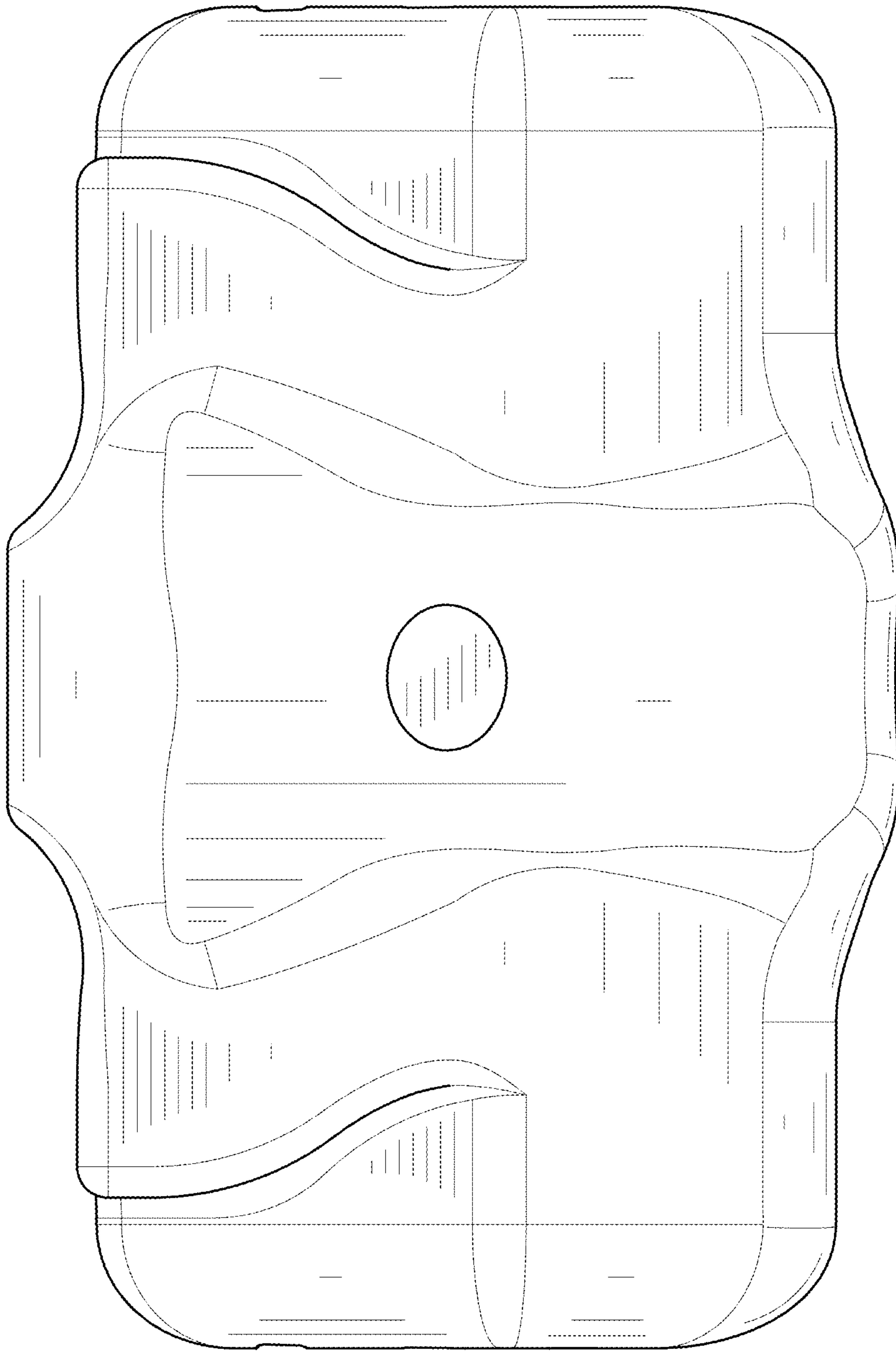


FIG. 3

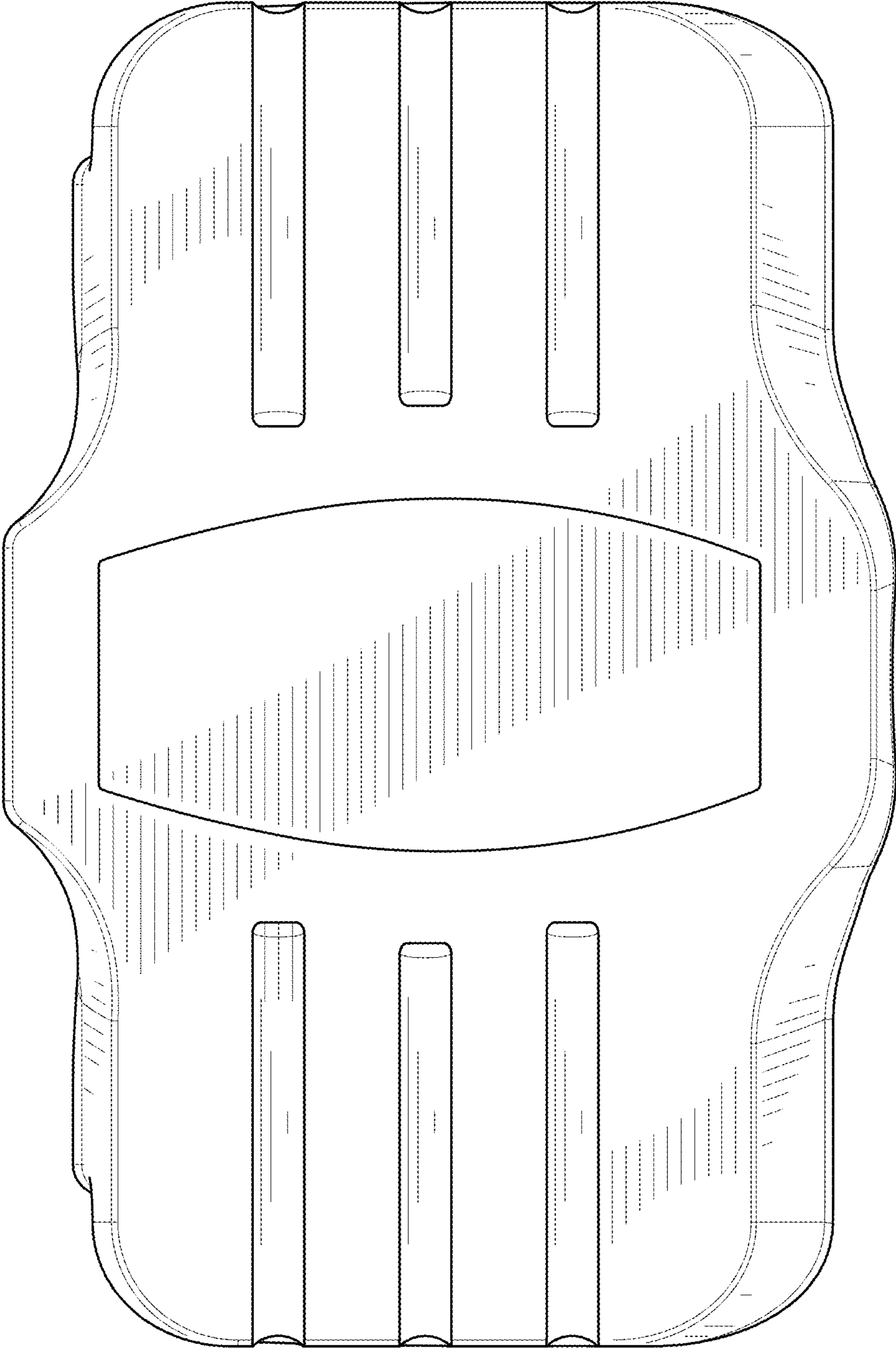


FIG. 4

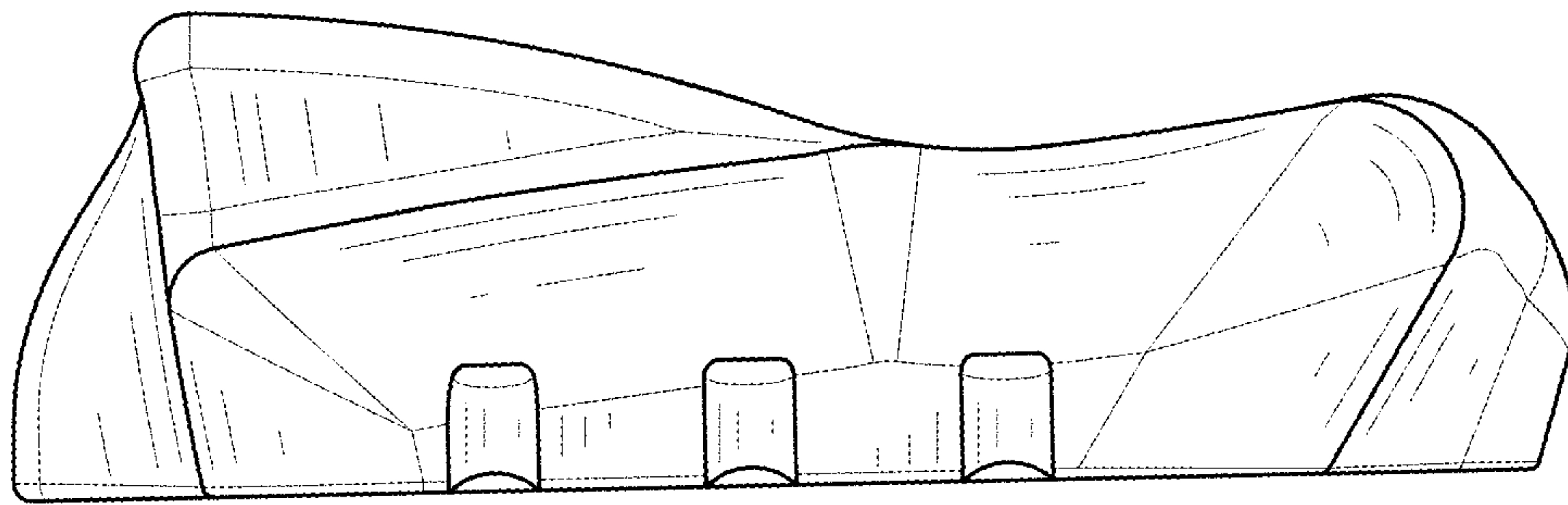


FIG. 5

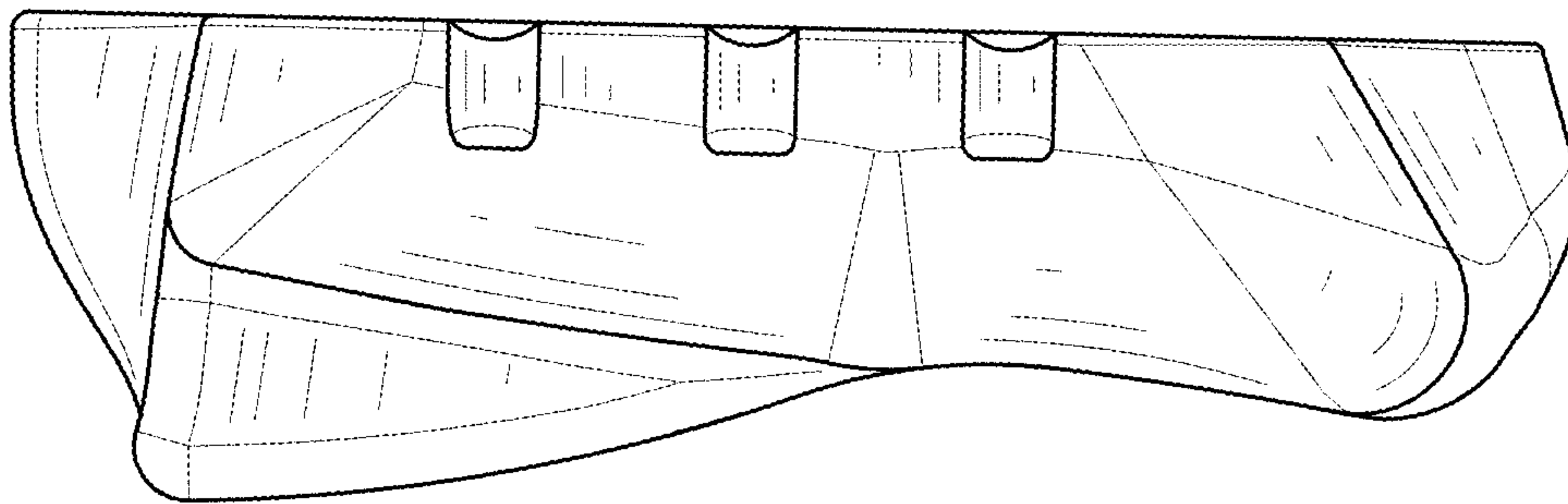


FIG. 6



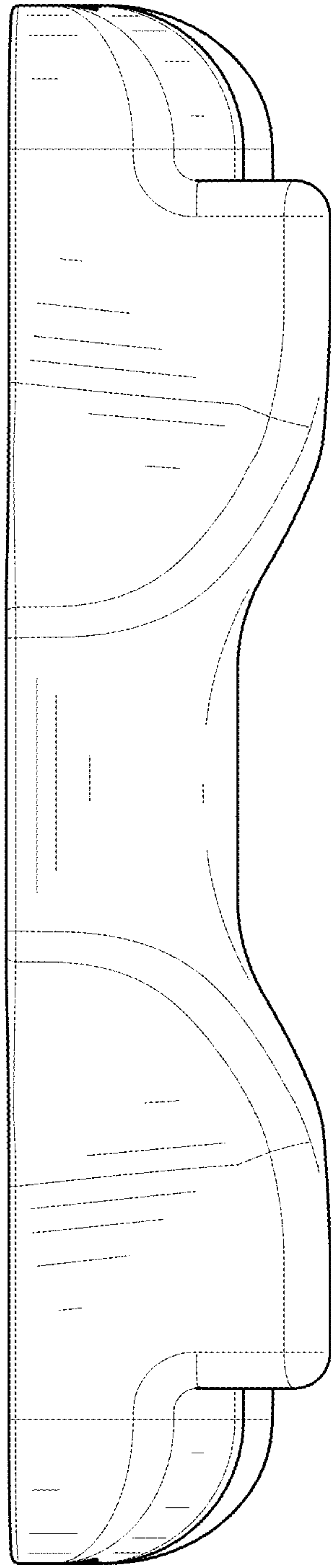


FIG. 7

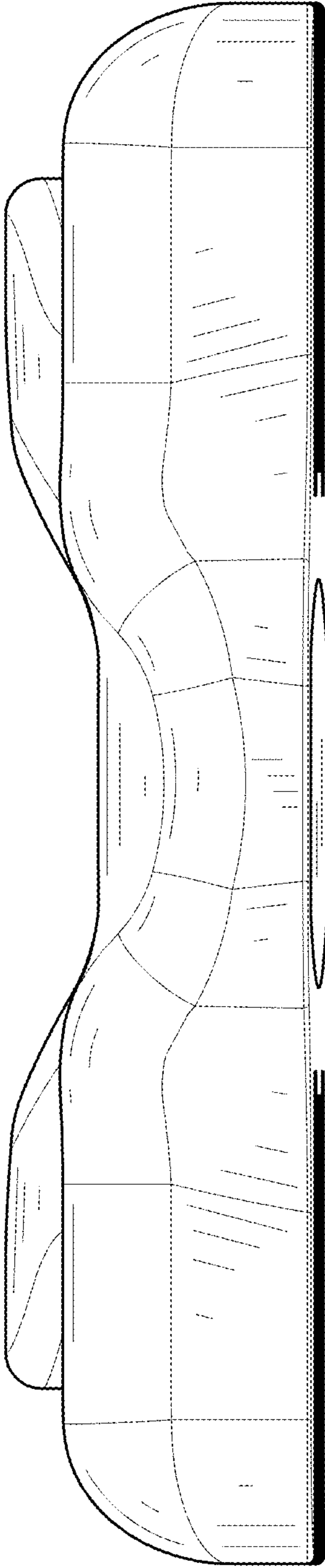


FIG. 8

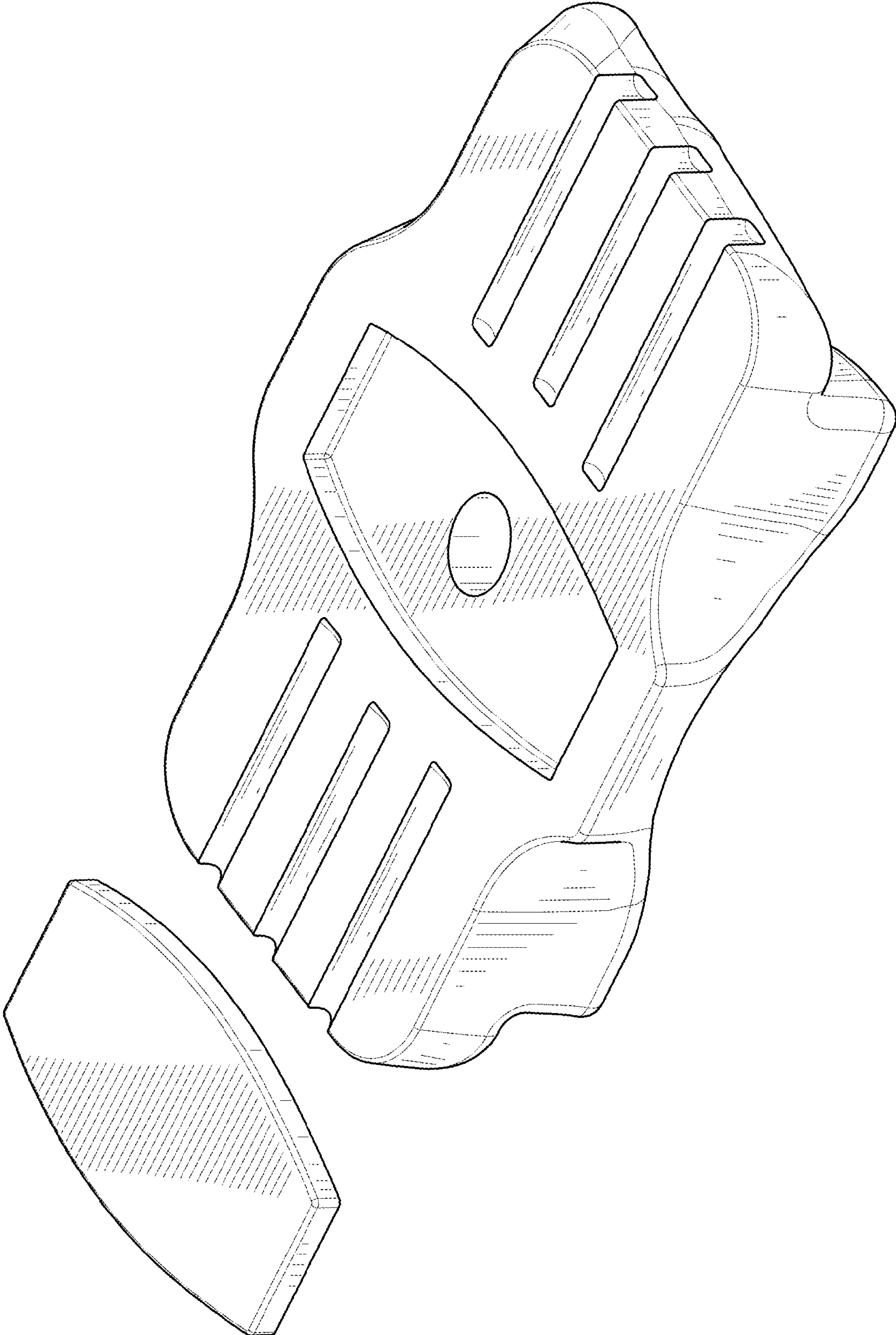


FIG. 9