



US00D984172S

(12) **United States Design Patent**  
**Zhou**

(10) **Patent No.:** **US D984,172 S**

(45) **Date of Patent:** **\*\* Apr. 25, 2023**

(54) **BATH PILLOW**

(71) Applicant: **Min Zhou**, Suzhou (CN)

(72) Inventor: **Min Zhou**, Suzhou (CN)

(\*\*) Term: **15 Years**

(21) Appl. No.: **29/778,114**

(22) Filed: **Apr. 11, 2021**

(51) **LOC (14) Cl.** ..... **06-04**

(52) **U.S. Cl.**  
USPC ..... **D6/601**

(58) **Field of Classification Search**  
USPC ..... D6/595-601, 604, 606; D24/183, 190;  
D21/803, 809  
CPC .... A47A 20/00; A47A 20/021; A47D 15/001;  
A47D 15/008; A47G 9/00; A47G 9/10;  
A47C 7/742; A47C 7/021; A47C 27/00;  
B62J 1/26  
See application file for complete search history.

(56) **References Cited**

**U.S. PATENT DOCUMENTS**

- 1,039,337 A \* 9/1912 Vanderbeek ..... B23Q 3/02  
269/156
- D931,651 S \* 9/2021 Chen ..... D6/601

- D932,806 S \* 10/2021 Chen ..... D6/601
- D945,184 S \* 3/2022 Zhang ..... D6/601
- D946,311 S \* 3/2022 Huang ..... D6/601

\* cited by examiner

*Primary Examiner* — Cynthia Ramirez

*Assistant Examiner* — Carrie A Matteoli

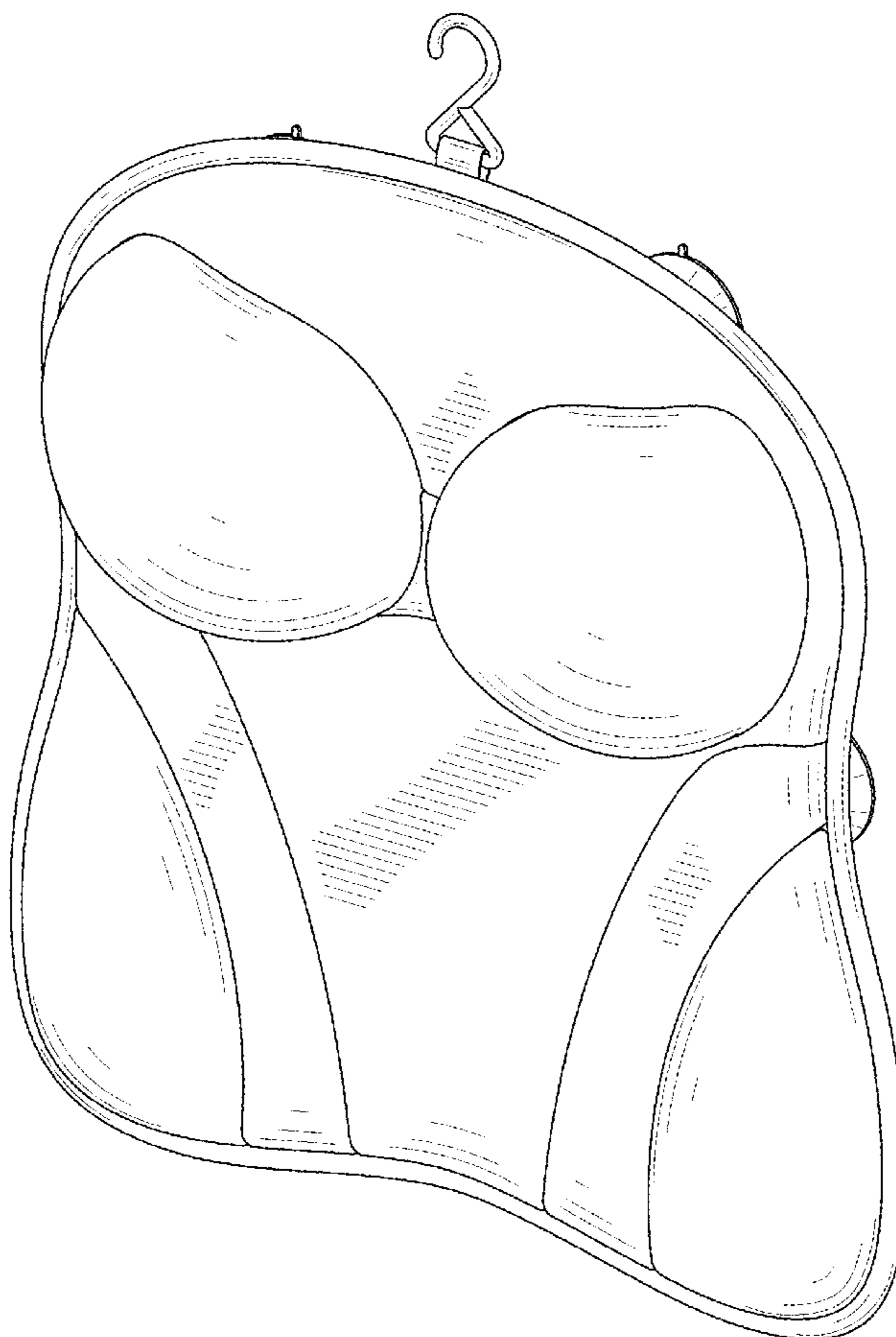
(57) **CLAIM**

The ornamental design for a bath pillow, as shown and described.

**DESCRIPTION**

FIG. 1 is a front, right side, top perspective view of a Bath pillow showing my new design;  
 FIG. 2 is a rear, left side, bottom perspective view thereof;  
 FIG. 3 is a front elevational view thereof;  
 FIG. 4 is a rear elevational view thereof;  
 FIG. 5 is a left side elevational view thereof;  
 FIG. 6 is a right side elevational view thereof;  
 FIG. 7 is a top plan view thereof; and,  
 FIG. 8 is a bottom plan view thereof.  
 The broken lines depict portions of the bath pillow that form no part of the claimed design.

**1 Claim, 8 Drawing Sheets**



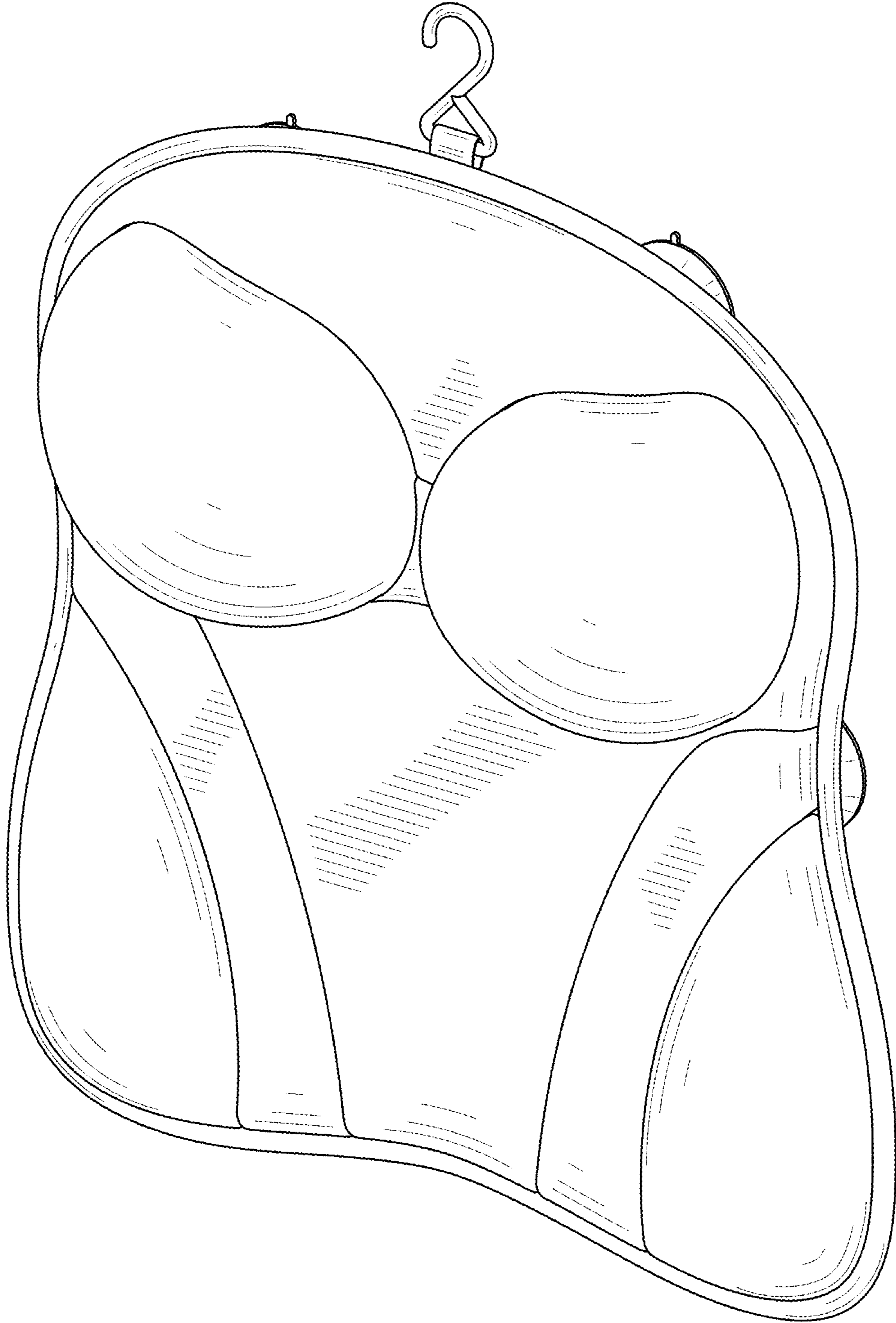


FIG.1

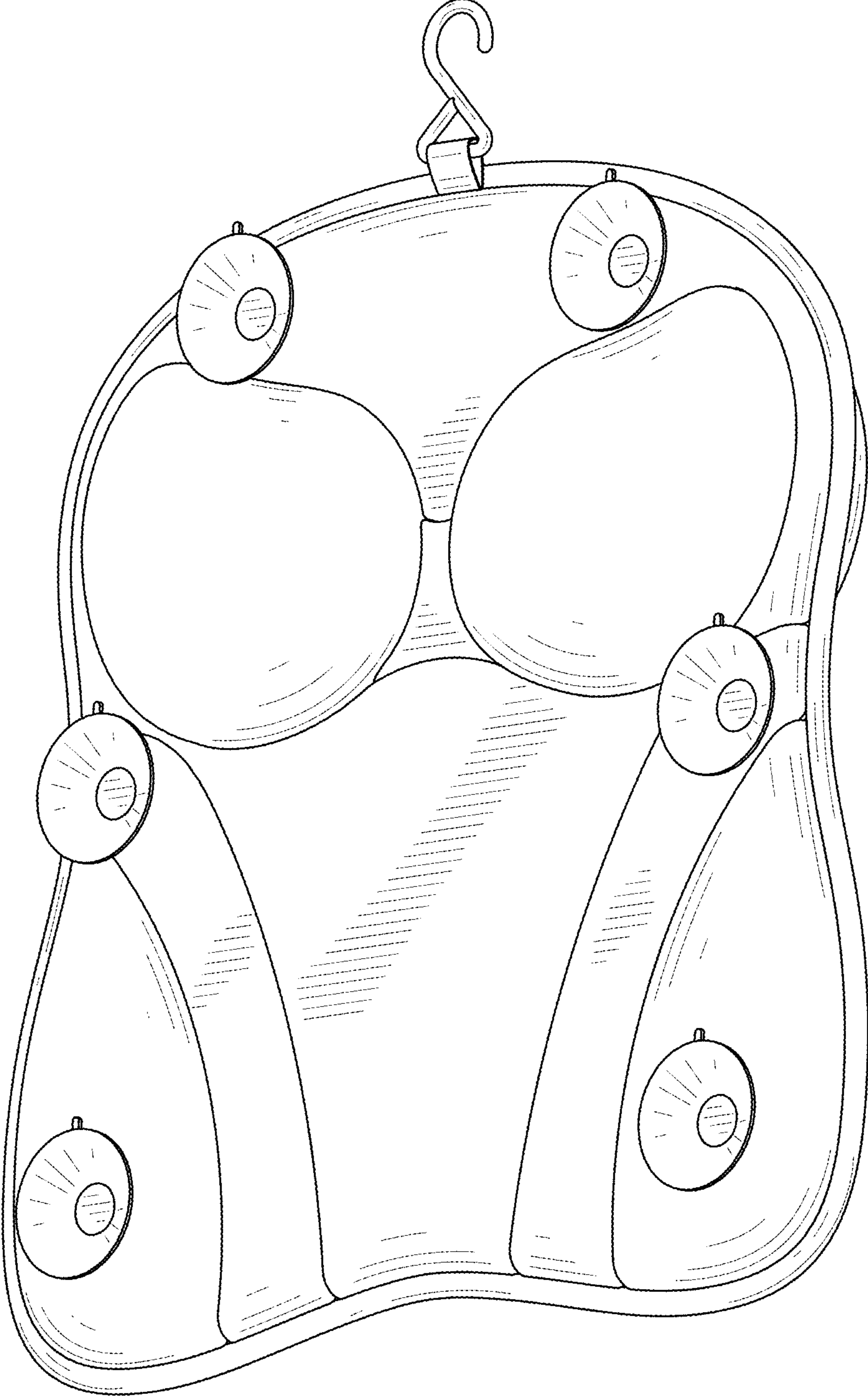


FIG.2

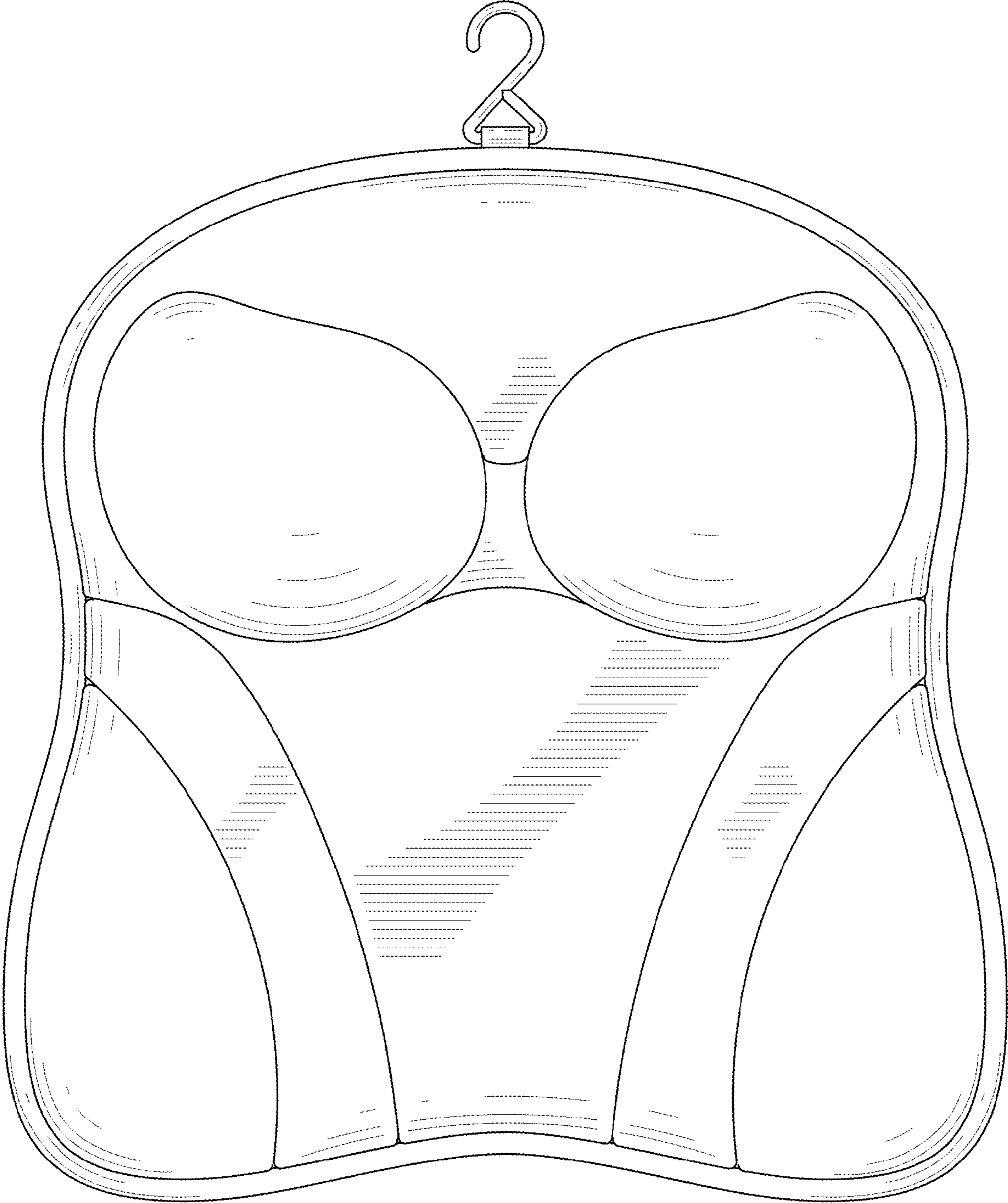


FIG.3



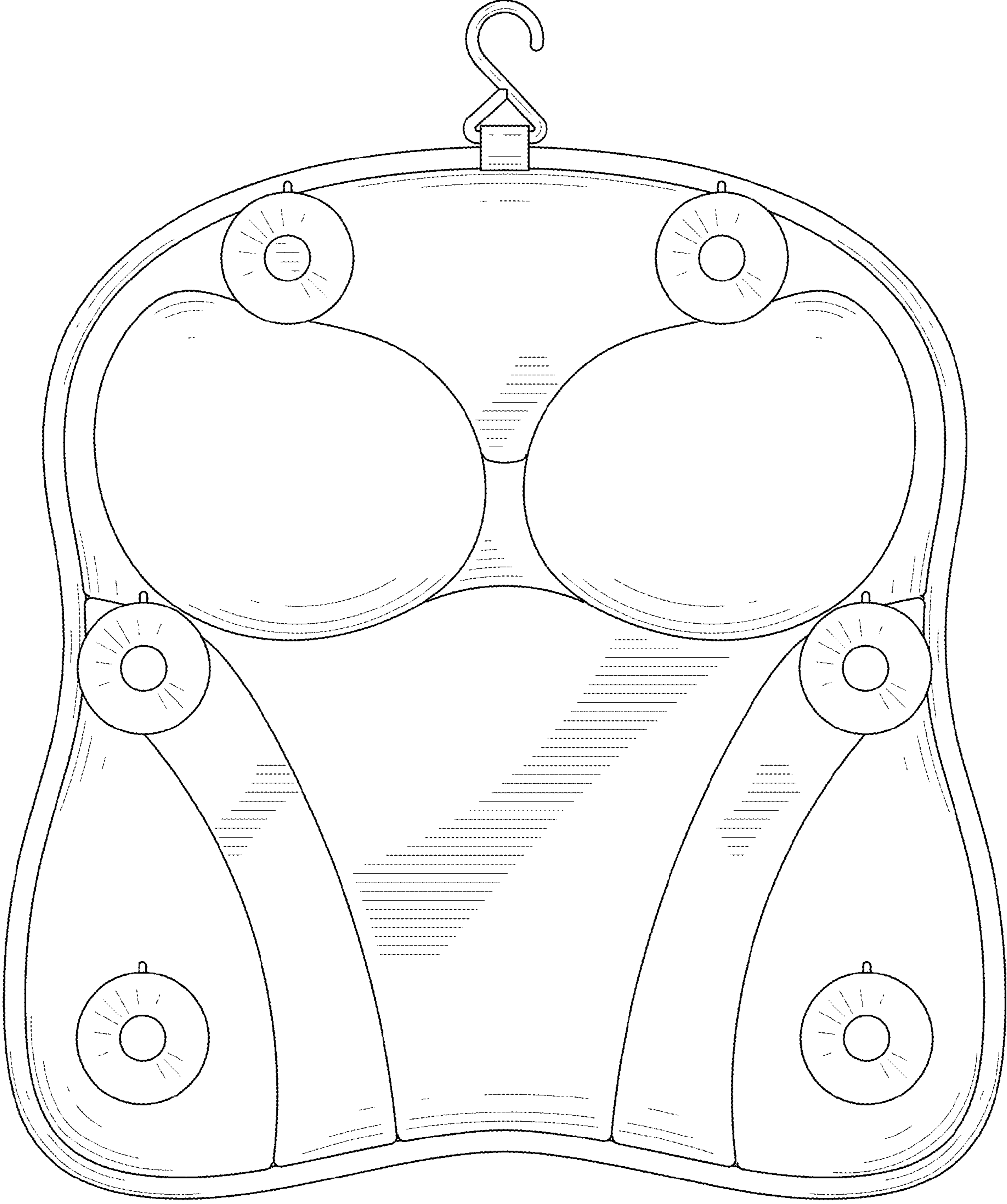


FIG.4

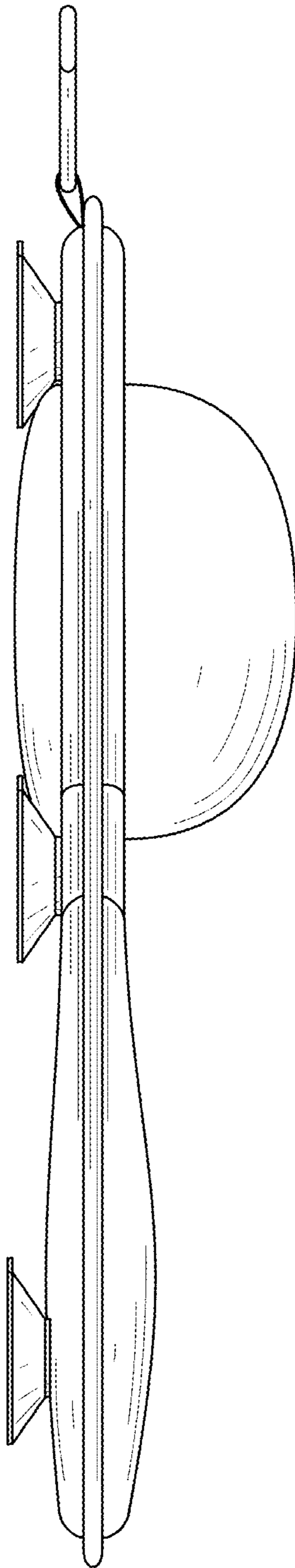


FIG.5

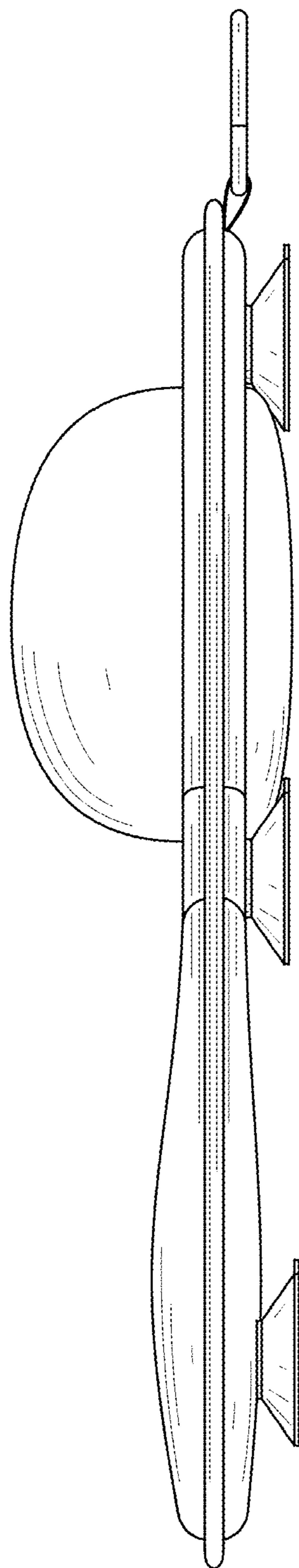


FIG.6

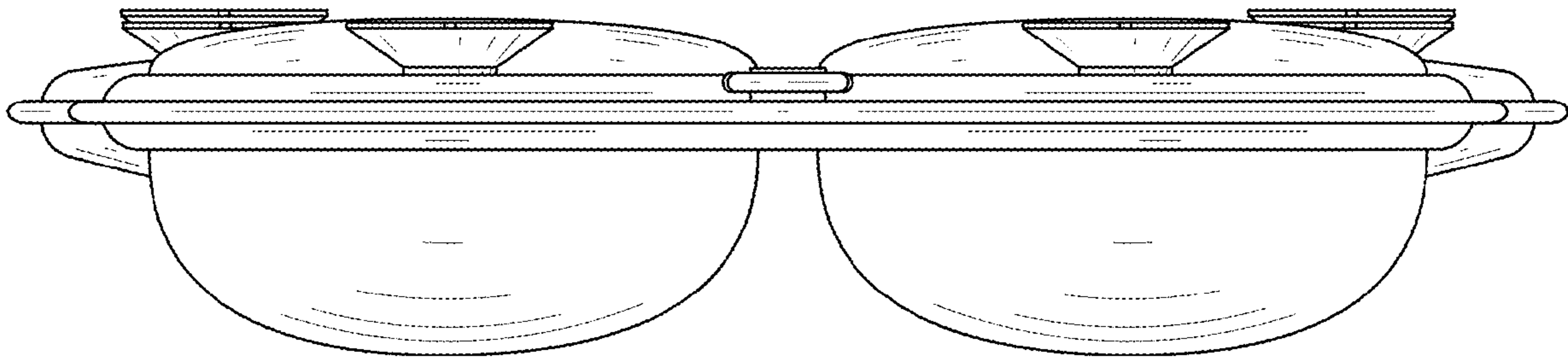


FIG.7



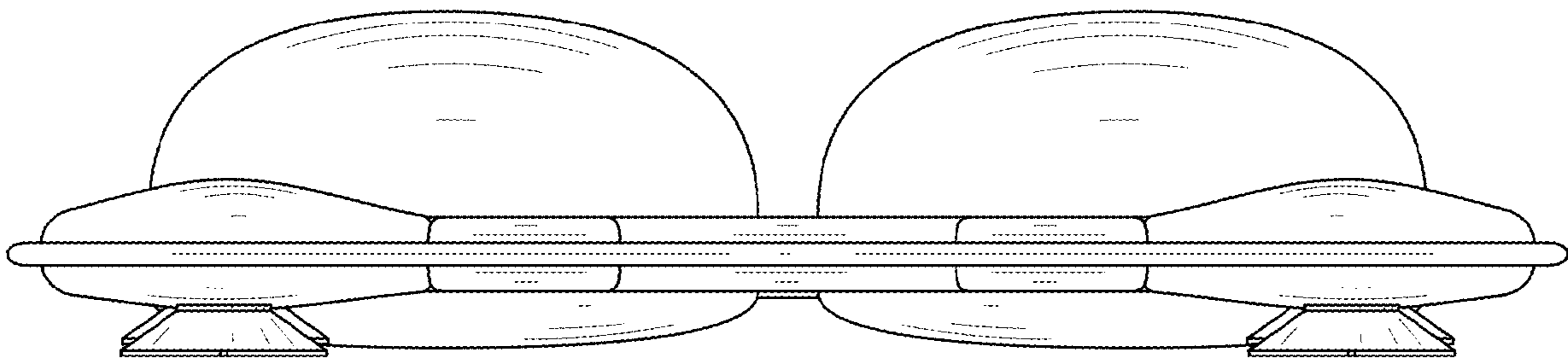


FIG.8