



US00D984168S

(12) **United States Design Patent** (10) **Patent No.:** **US D984,168 S**
Au et al. (45) **Date of Patent:** **** Apr. 25, 2023**

(54) **SHELF WITH WIDE MOUTH FOR MULTIPLE GLIDE SHEETS**

FOREIGN PATENT DOCUMENTS

(71) Applicant: **B-O-F CORPORATION**, Aurora, IL (US)

WO D075753-002 * 2/2011

(72) Inventors: **Derek Au**, Aurora, IL (US); **Brent Baker**, Sandwich, IL (US)

OTHER PUBLICATIONS

(73) Assignee: **B-O-F CORPORATION**, Aurora, IL (US)

Display Technologies Visi-Slide 20oz (Pack of 6) Soda Beverage Dispenser, Gravity Fed Glide for Coolers, Commercial Refrigerator, Cold Vaults, Soda Can Organizer, Drink Bottle Dispenser <https://a.co/d/4xrm7g8>, Feb. 11, 2019 (Year: 2019).*

(Continued)

(**) Term: **15 Years**

Primary Examiner — Jennifer L Rempfer

(21) Appl. No.: **29/815,793**

Assistant Examiner — Bethany Louise Mallino

(22) Filed: **Nov. 16, 2021**

(74) *Attorney, Agent, or Firm* — Marshall, Gerstein & Borun LLP

(51) **LOC (14) Cl.** **06-04**

(57) **CLAIM**

(52) **U.S. Cl.**
USPC **D6/574**

The ornamental design for a shelf with wide mouth for multiple glide sheets, as shown and described.

(58) **Field of Classification Search**
USPC D6/566, 672, 675, 675.2, 682, 705, D6/705.1; D7/360; D15/89
CPC A47F 3/00; A47F 3/0456; A47F 3/004; A47F 3/14; A47F 5/11; A47F 5/00; B65D 1/34; B65D 1/36; B65D 21/00; B65D 21/08

DESCRIPTION

See application file for complete search history.

FIG. 1 is a top, right, rear perspective view of a first embodiment of a shelf with wide mouth for multiple glide sheets showing the new design; FIG. 2 is a front view of the invention illustrated in FIG. 1; FIG. 3 is a rear view of the invention illustrated in FIG. 1; FIG. 4 is a left side view of the invention illustrated in FIG. 1;

(56) **References Cited**

U.S. PATENT DOCUMENTS

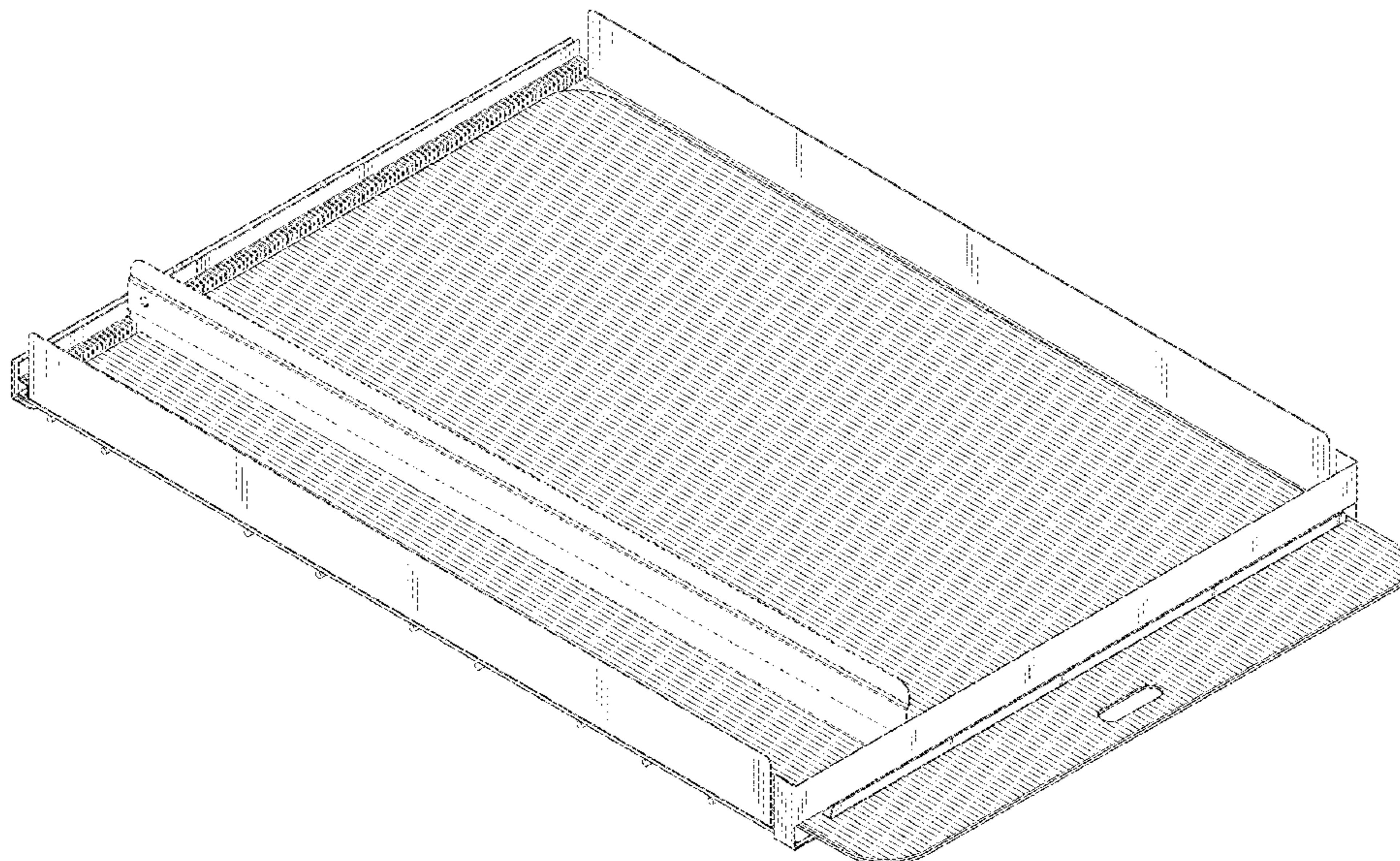
D375,860 S * 11/1996 Coretti, Jr. D6/566
D632,907 S * 2/2011 Clark D6/705.1
8,499,942 B1 8/2013 Coretti, Jr. et al.
D688,905 S * 9/2013 Stravitz D6/705
D724,876 S * 3/2015 Gokhale D6/705
D784,745 S * 4/2017 Nilsson D6/705
D799,252 S * 10/2017 Coretti, Jr. D6/705
D833,781 S * 11/2018 Hartman D6/675
D845,687 S * 4/2019 Golias D6/705

FIG. 5 is a right side view of the invention illustrated in FIG. 1; FIG. 6 is a top view of the invention illustrated in FIG. 1; and, FIG. 7 is a bottom view of the invention illustrated in FIG. 1.

The broken lines in the drawings depict environment, or portions, of the a shelf with wide mouth for multiple glide sheets that form no part of the claimed design.

(Continued)

1 Claim, 7 Drawing Sheets



(56)

References Cited

U.S. PATENT DOCUMENTS

D854,589 S * 7/2019 Lee D15/89
D905,482 S * 12/2020 Coretti, Jr. D6/675.2
D908,410 S * 1/2021 Illers D6/682
D925,955 S * 7/2021 Greenwood D6/705
D958,587 S * 7/2022 Yan D7/354
2013/0075352 A1 3/2013 Mitten et al.

OTHER PUBLICATIONS

Highbright Enterprise Limited: Aluminum Gravity Feed Shelf Roller Pusher System <https://www.supermarketequipments.com/Aluminum-Gravity-Feed-Shelf-Roller-Pusher-System-pd49783561.html>, Wayback Machine May 22, 2022 (Year: 2022).*
Design U.S. Appl. No. 29/758,318, filed Nov. 13, 2020, with appendix.

* cited by examiner

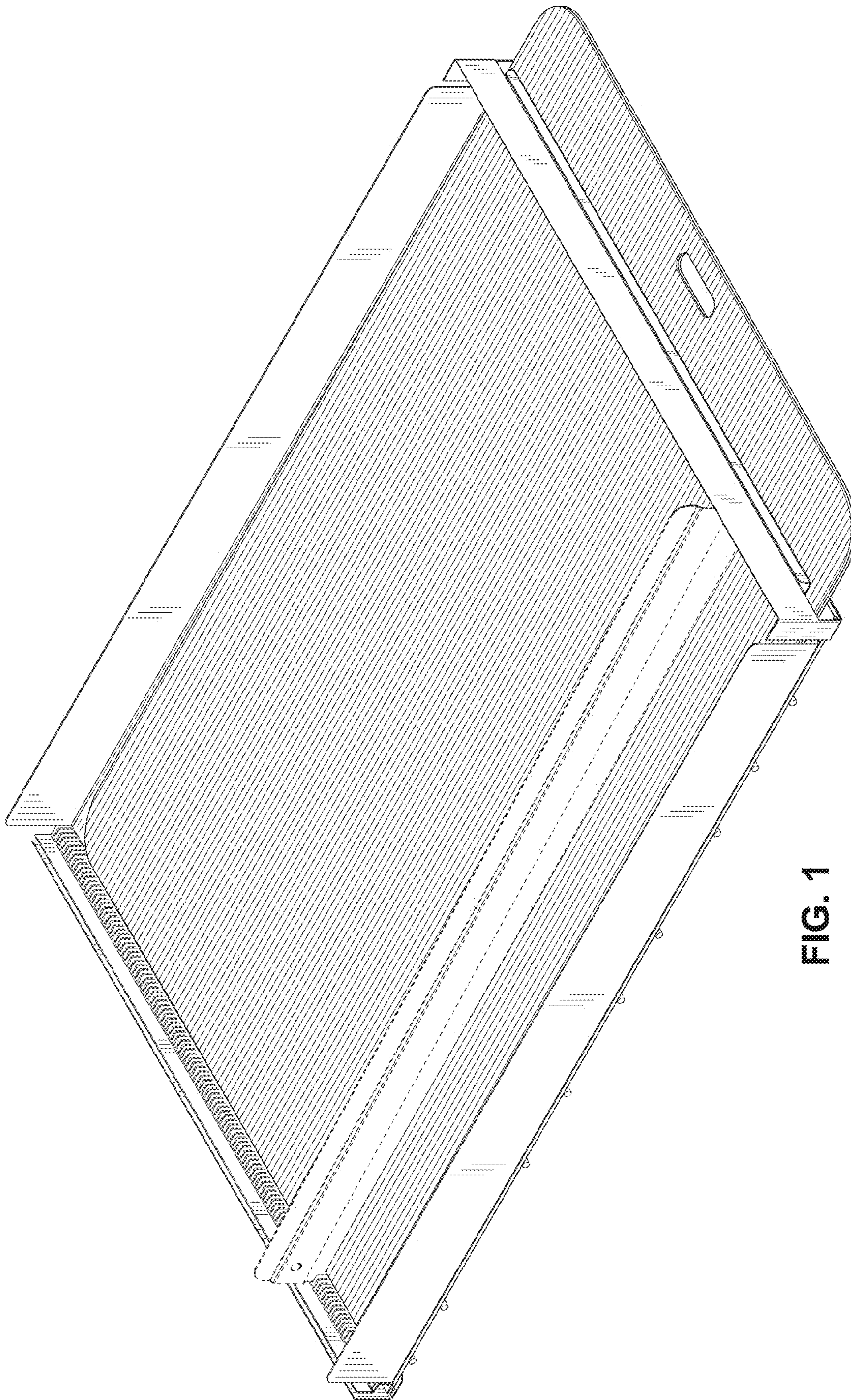


FIG. 1

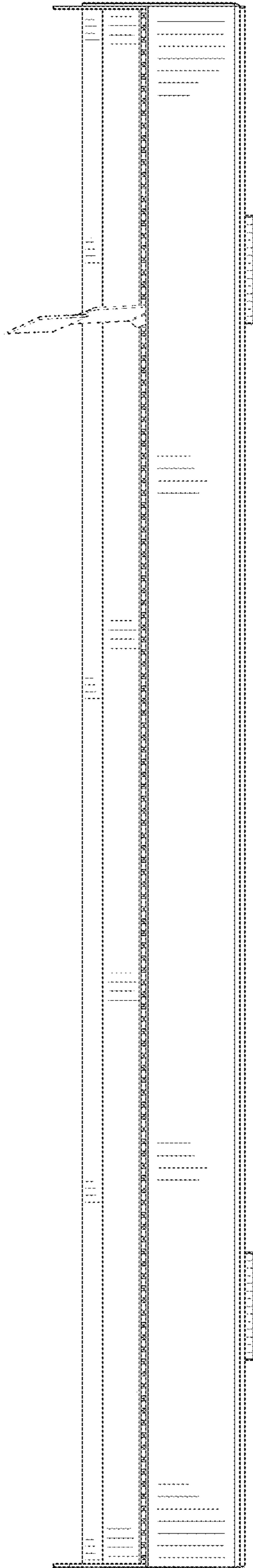


FIG. 2

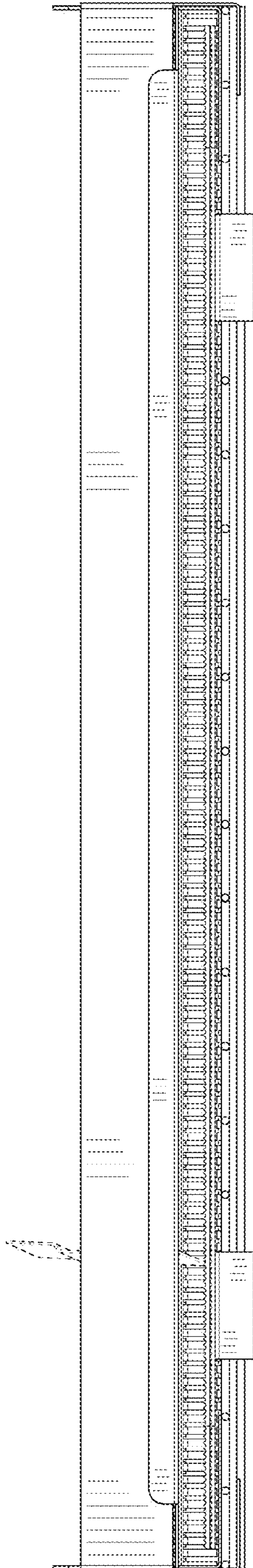


FIG. 3

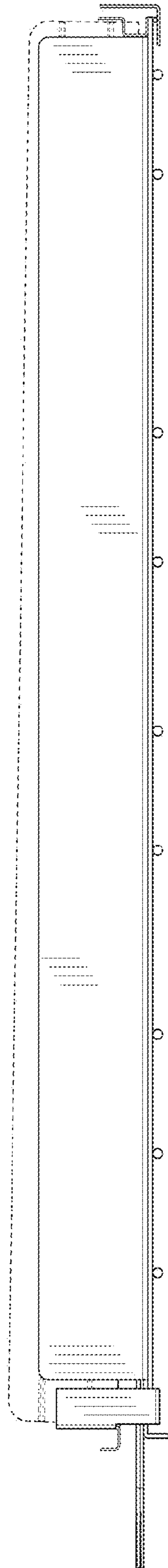


FIG. 4

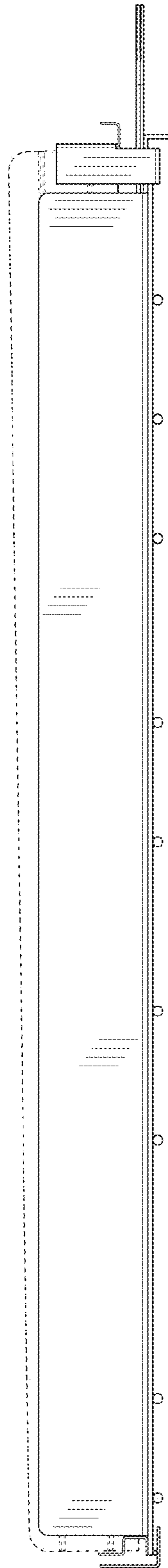


FIG. 5

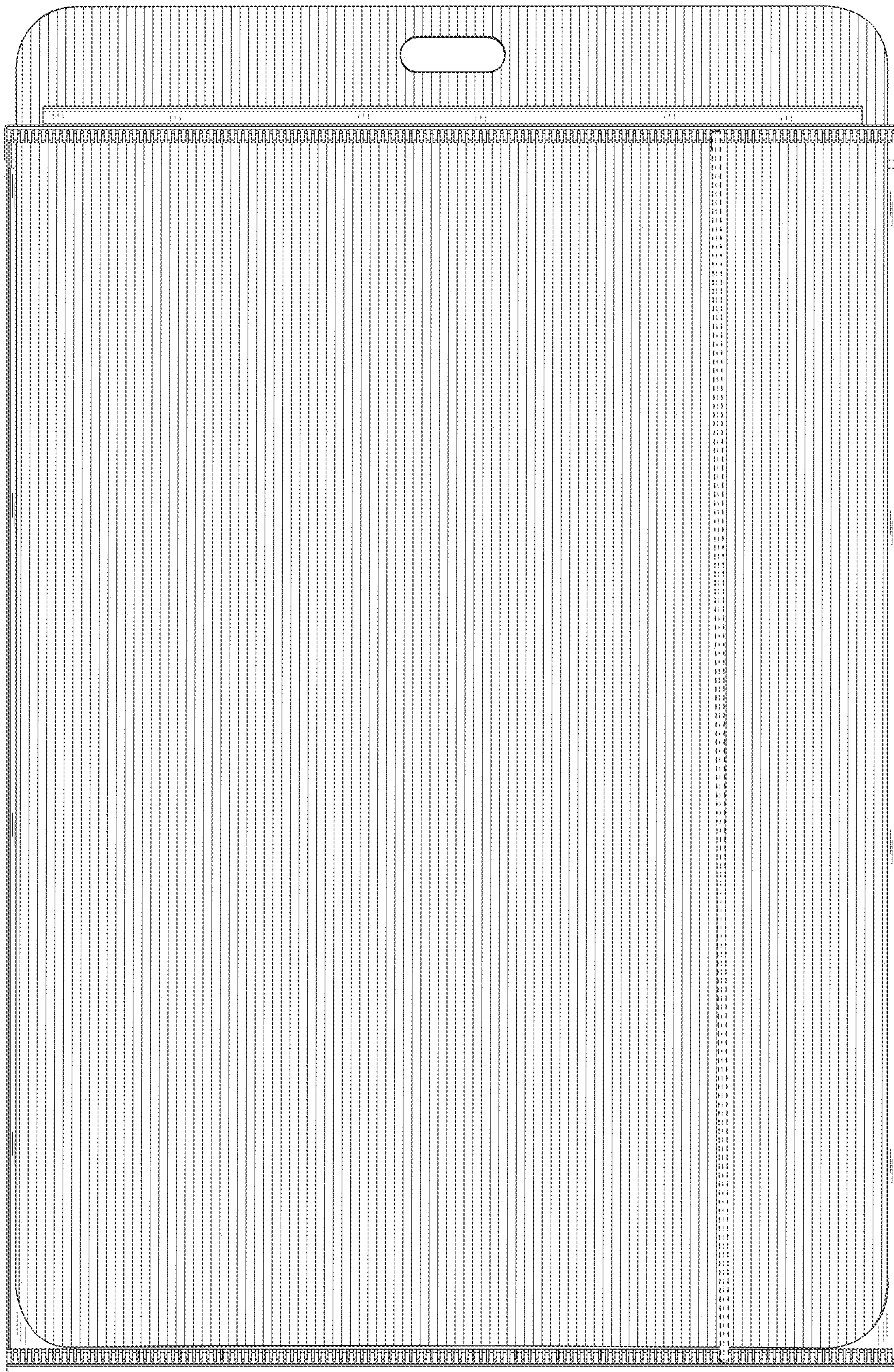


FIG. 6

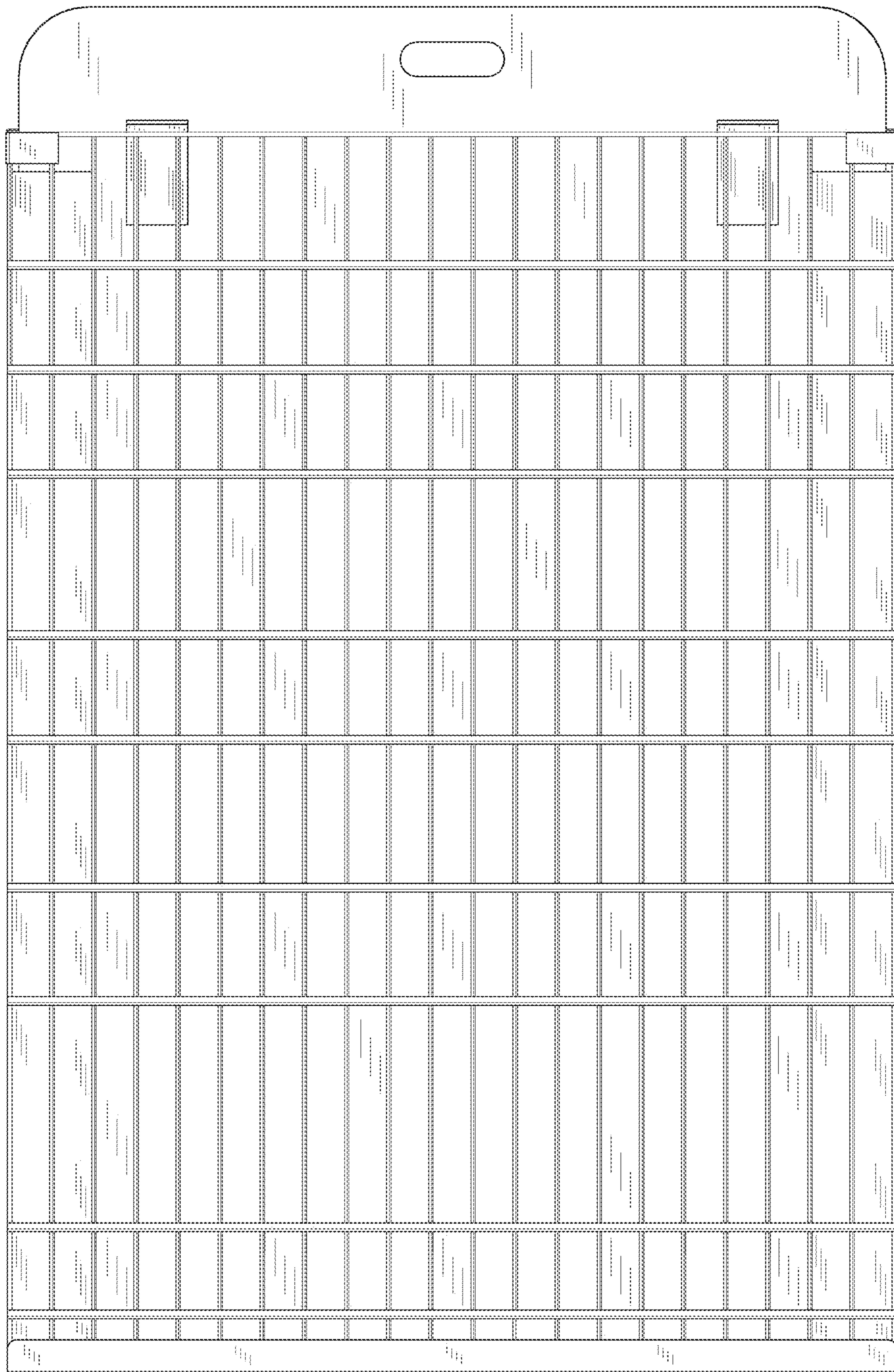


FIG. 7