



US00D984161S

(12) **United States Design Patent** (10) **Patent No.:** **US D984,161 S**
Slettvoll (45) **Date of Patent:** **** Apr. 25, 2023**

(54) **SOFA**

FOREIGN PATENT DOCUMENTS

(71) Applicant: **SLETTVOLL MØBLER AS**, Stranda (NO)

EM 008159222-0001 * 12/2020
EM 008159222-0002 * 12/2020

(72) Inventor: **Torill Slettvoll**, Stranda (NO)

OTHER PUBLICATIONS

(73) Assignee: **SLETTVOLL MØBLER AS**, Stranda (NO)

Zofi sofa [online], [site visited Sep. 13, 2022]. Available from internet, URL: <<https://www.slettvoll.com/produkter/zofi-sofa/?p=2938>> (Year: 2022).*

(**) Term: **15 Years**

Slettvoll on Instagram [online], [site visited Sep. 13, 2022]. Available from internet, URL: <<https://www.instagram.com/p/CFb9DgopHXp/>> (Year: 2020).*

(21) Appl. No.: **29/760,275**

* cited by examiner

(22) Filed: **Nov. 30, 2020**

(51) **LOC (14) Cl.** **06-01**

Primary Examiner — Cynthia Ramirez

(52) **U.S. Cl.**
USPC **D6/381**

Assistant Examiner — Xavier Marti-Santos

(58) **Field of Classification Search**
USPC D6/334–337, 349, 369, 374, 375, 377, D6/381

(74) *Attorney, Agent, or Firm* — Raven Patents, LLC; Anton E. Skaugset

CPC A47C 17/00; A47C 17/045; A47C 17/12; A47C 17/136

(57) **CLAIM**

See application file for complete search history.

The ornamental design for a sofa, as shown and described.

(56) **References Cited**

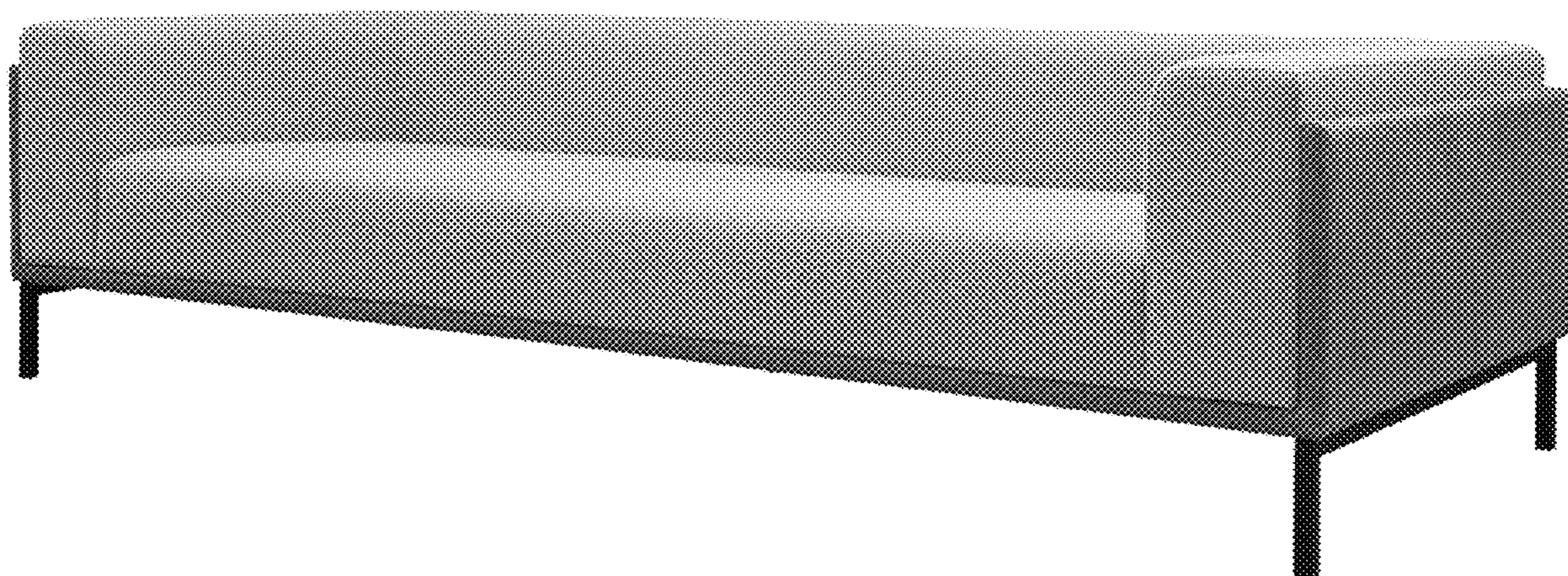
DESCRIPTION

U.S. PATENT DOCUMENTS

D234,731 S	*	4/1975	McDonald	D6/371
D467,091 S	*	12/2002	Natuzzi	D6/381
D477,152 S	*	7/2003	Levy	D6/381
D548,997 S	*	8/2007	Nicoletti	D6/381
D677,490 S	*	3/2013	Manzoni	D6/381
D698,179 S	*	1/2014	Nguyen	D6/381
D717,560 S	*	11/2014	Barber	D6/381
D807,660 S	*	1/2018	Hughes	D6/381
D814,207 S	*	4/2018	Garrison	D6/381
D871,791 S	*	1/2020	Carter	D6/377
D883,698 S	*	5/2020	Carter	D6/381
D954,461 S	*	6/2022	Czaja	D6/381
D957,831 S	*	7/2022	Andersen	D6/335

FIG. 1 is a front perspective view showing the new design; FIG. 2 is a rear perspective view thereof; FIG. 3 is a front and left side perspective view thereof; FIG. 4 is a rear and right side perspective view thereof; FIG. 5 is a left side perspective view thereof; the right side perspective view is a mirror image of this view and has therefore been omitted; FIG. 6 is a top perspective view thereof; and, FIG. 7 is a bottom perspective view thereof.

1 Claim, 5 Drawing Sheets



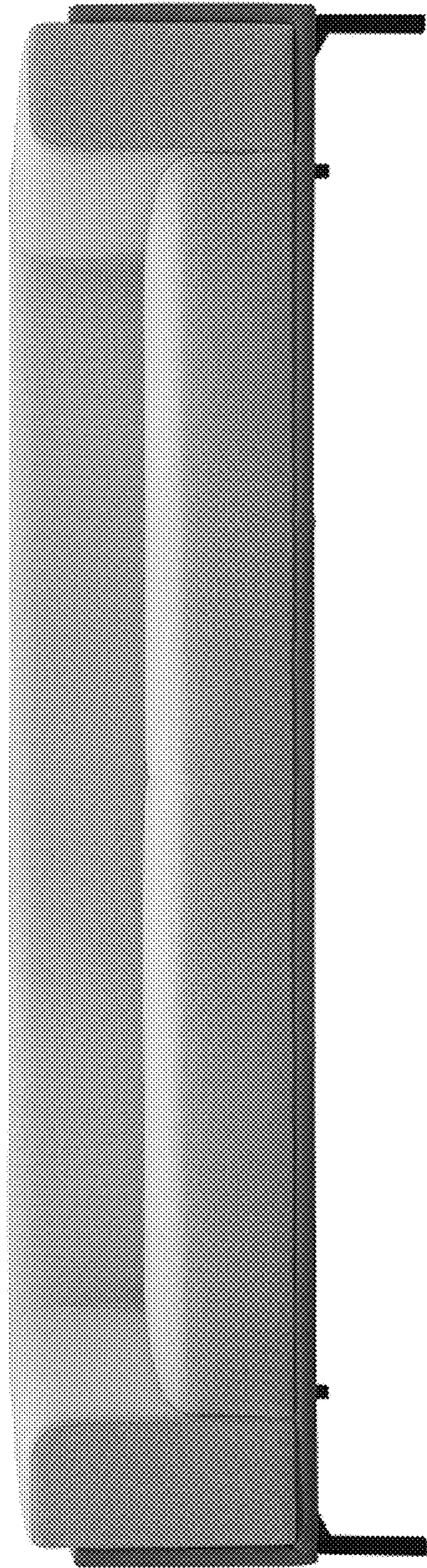


Fig. 1

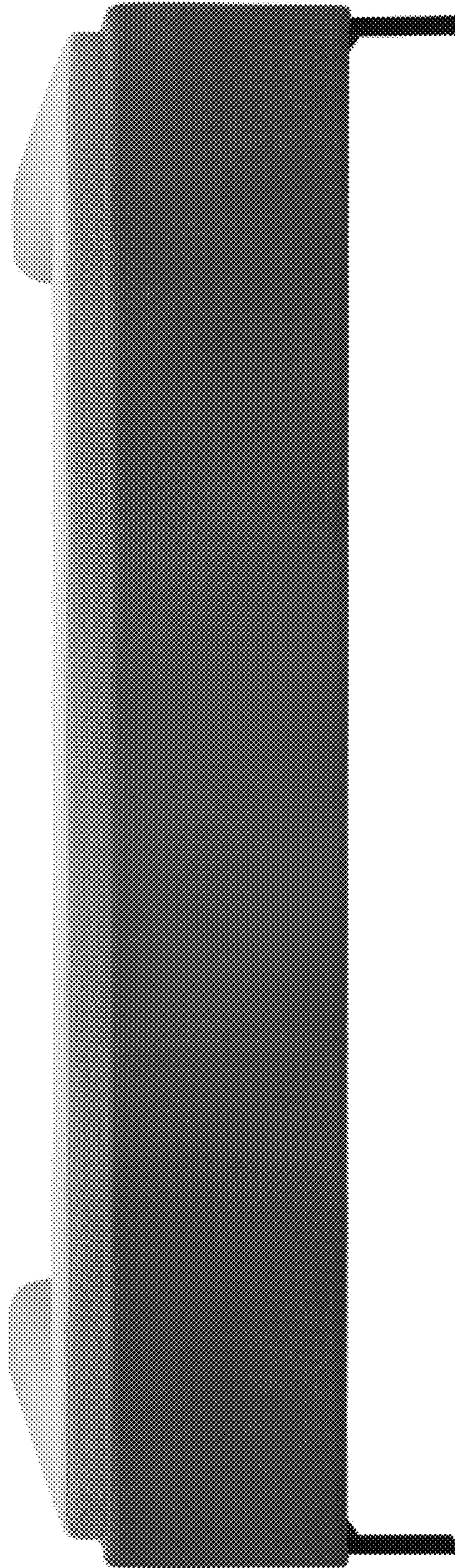


Fig. 2

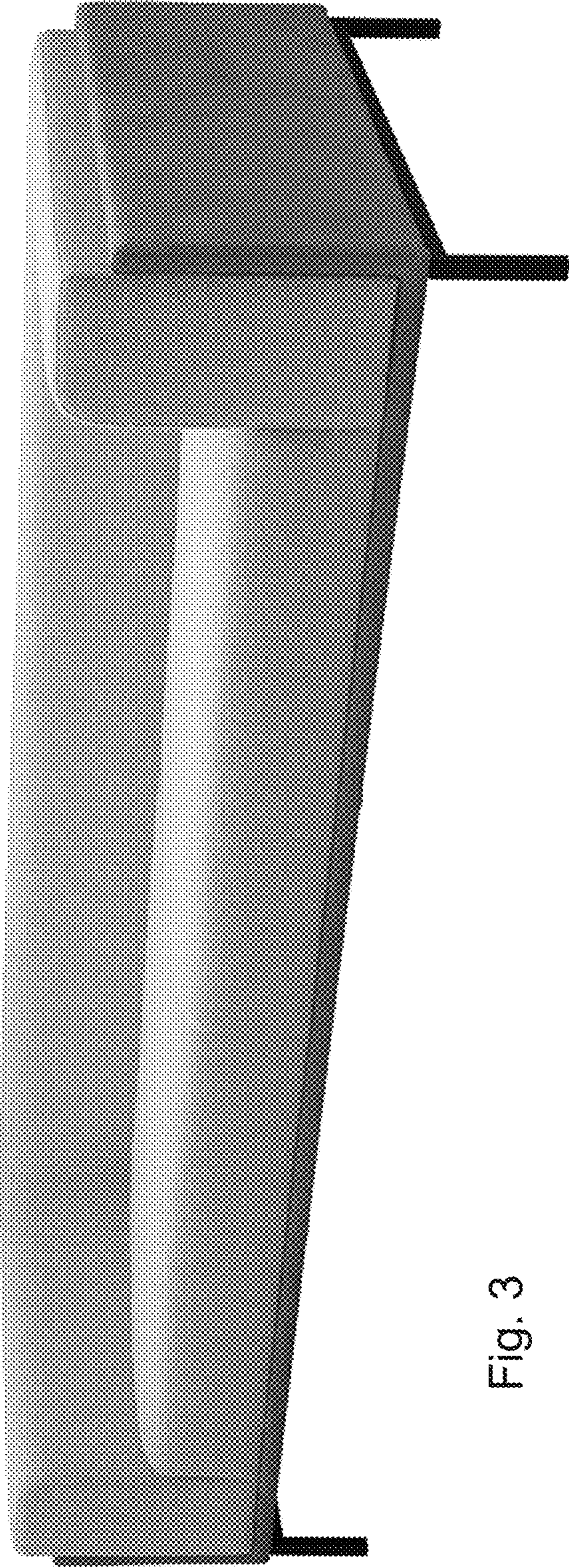


Fig. 3

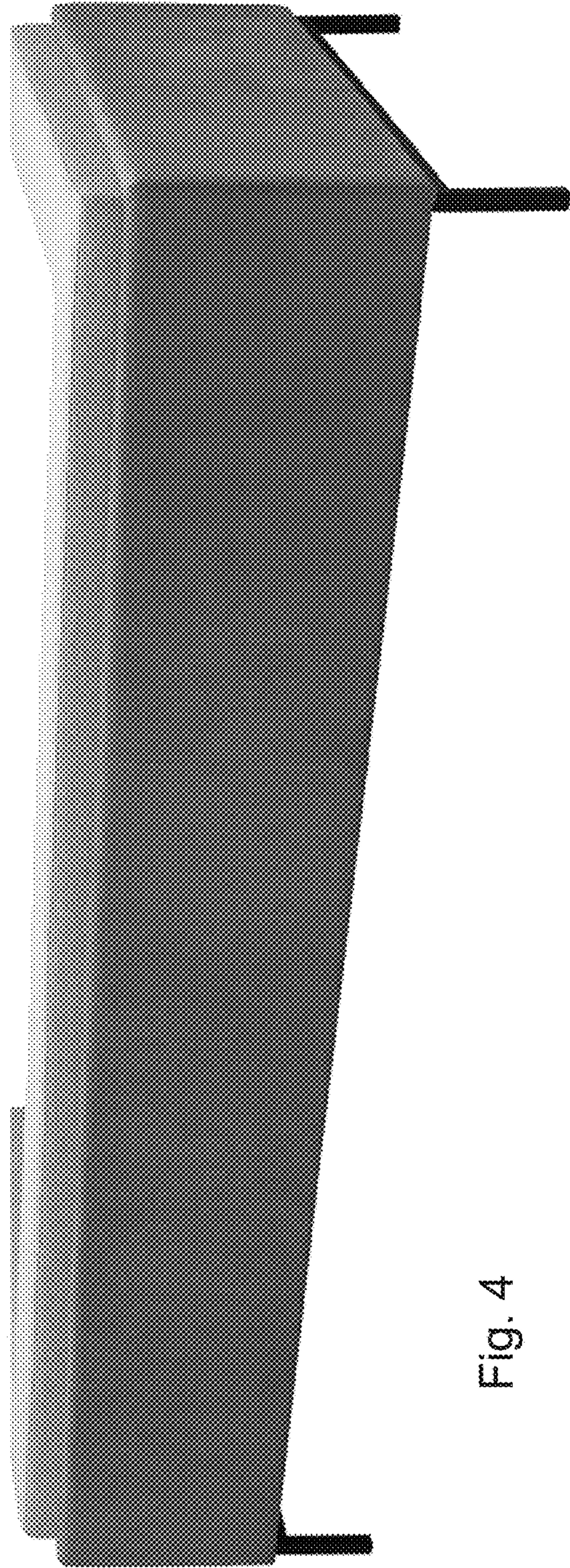


Fig. 4

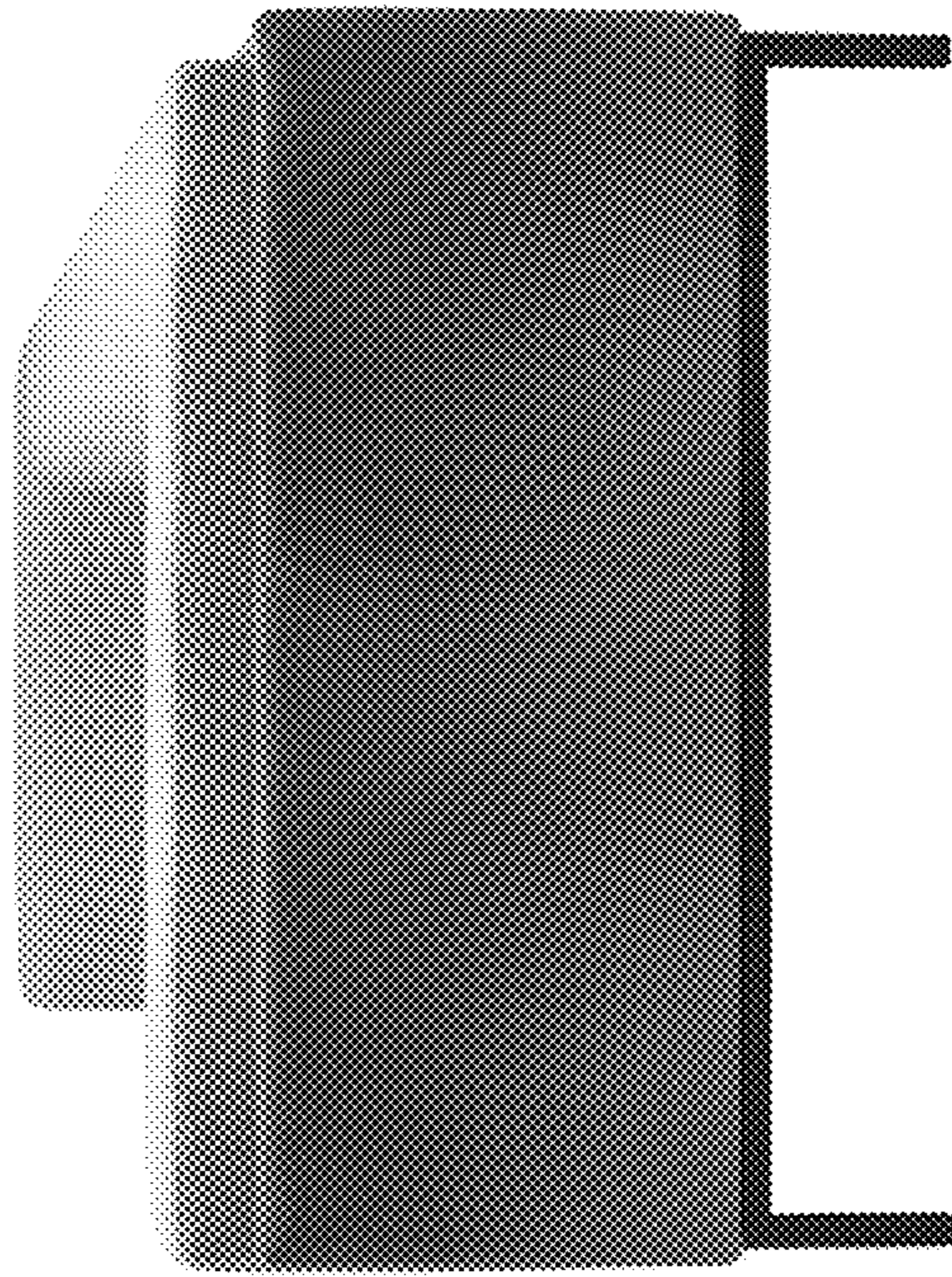


Fig. 5

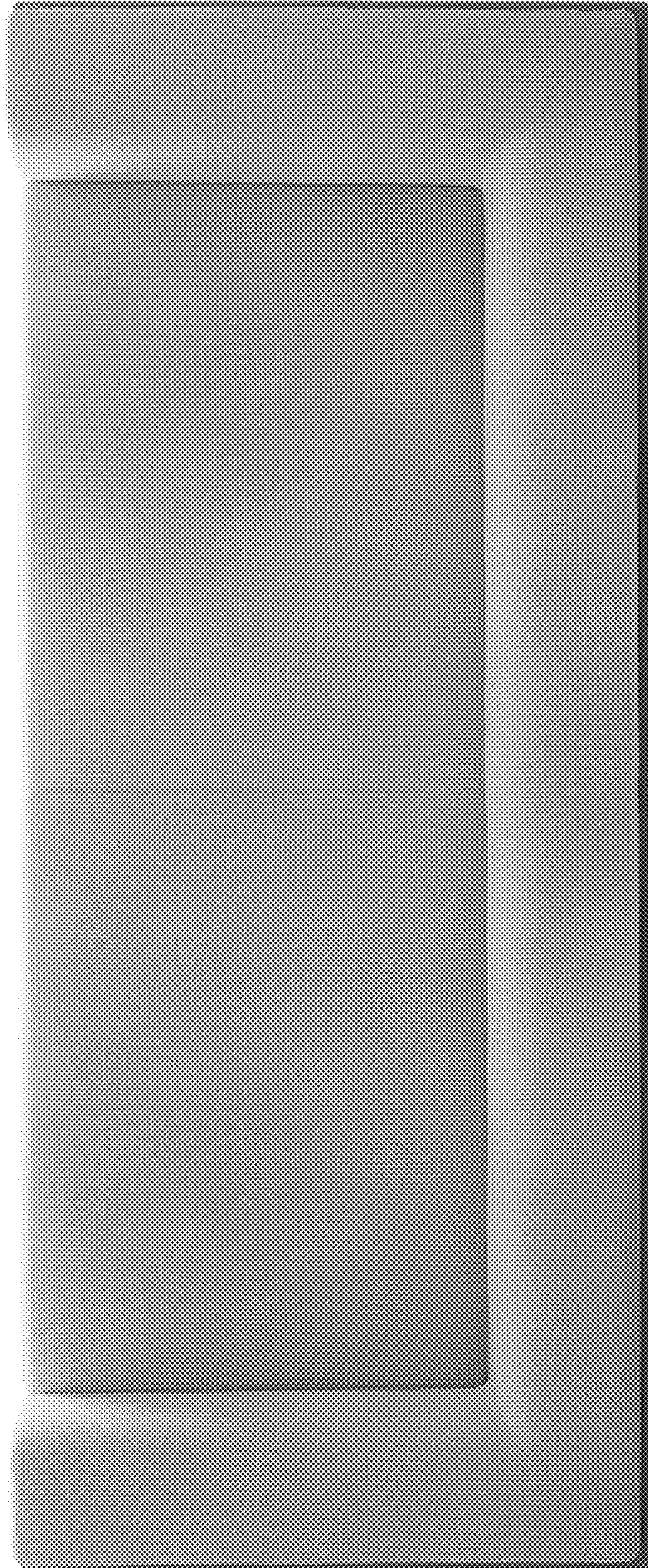


Fig. 6

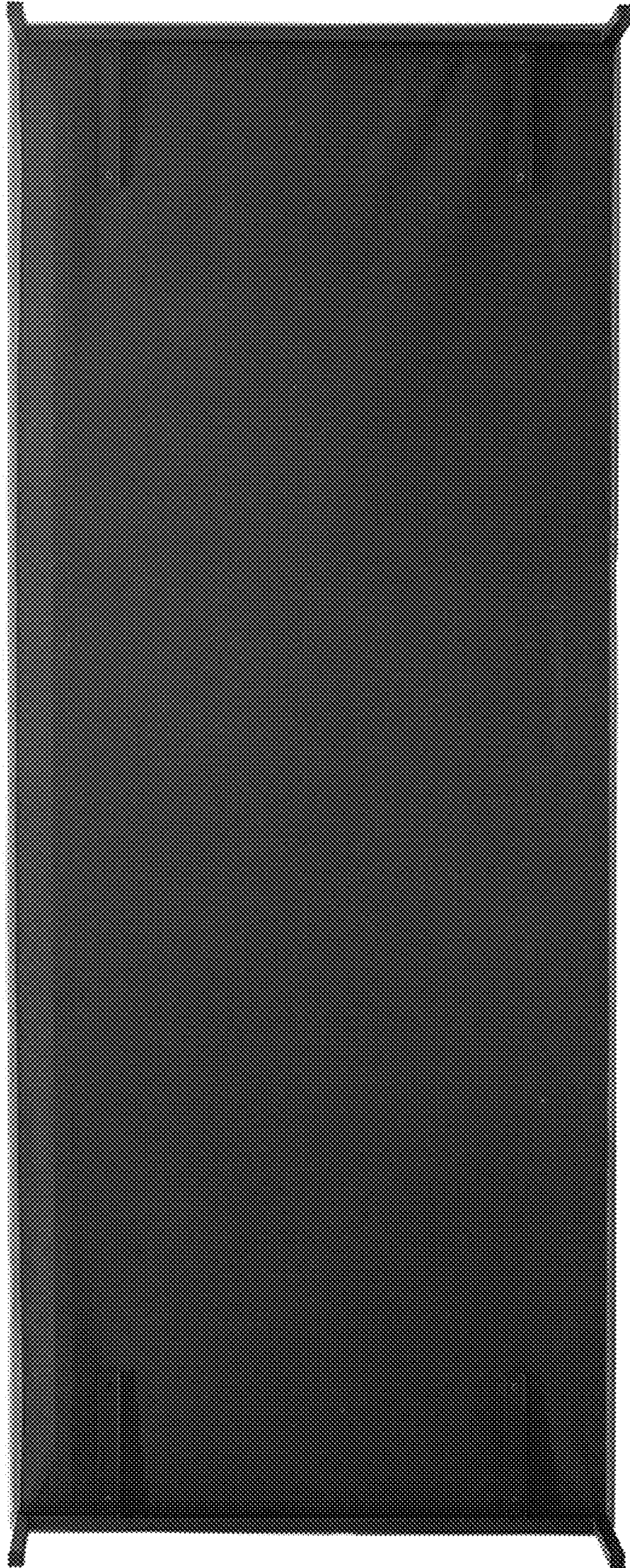


Fig. 7