



US00D984159S

(12) **United States Design Patent**
Angel et al.

(10) **Patent No.:** **US D984,159 S**
(45) **Date of Patent:** **** Apr. 25, 2023**

- (54) **FOLDING CHAIR**
- (71) Applicants: **Bruce Andrew Angel**, Stokesdale, NC (US); **Blake Martin**, Harrells, NC (US); **Steven L. Spencer**, Lawsonville, NC (US)
- (72) Inventors: **Bruce Andrew Angel**, Stokesdale, NC (US); **Blake Martin**, Harrells, NC (US); **Steven L. Spencer**, Lawsonville, NC (US)

- 1,129,793 A * 2/1915 Craig A47C 4/24
297/58
- 1,707,018 A * 3/1929 Kidder A47C 4/14
297/52
- 1,721,164 A * 7/1929 Newell A47C 4/14
297/56
- 1,896,455 A * 2/1933 McCulloh A47C 4/16
297/31
- 2,873,793 A * 2/1959 Garcia A47C 4/14
297/57
- D288,871 S * 3/1987 Hubert D6/368
(Continued)

(73) Assignee: **Camco Manufacturing, Inc.**, Greensboro, NC (US)

(**) Term: **15 Years**

(21) Appl. No.: **29/789,731**

(22) Filed: **Oct. 15, 2021**

(51) **LOC (14) Cl.** **06-01**

(52) **U.S. Cl.**
USPC **D6/368; D6/370**

(58) **Field of Classification Search**
USPC D6/334, 335, 350, 360, 365, 366, 367, D6/368, 369, 374, 375, 376, 379, 380, D6/716, 716.4
CPC .. A47C 3/04; A47C 4/00; A47C 7/029; A47C 7/40; A47C 9/007; A47C 3/12; A47C 5/12; A47C 7/24; A47C 7/46; A47C 4/14; A47C 1/026; A47C 4/24; A47C 4/16
See application file for complete search history.

(56) **References Cited**

U.S. PATENT DOCUMENTS

- 688,468 A * 12/1901 Ihde A47C 4/24
297/57
- 714,562 A * 11/1902 Crandall et al. A47C 4/24
297/57
- 946,352 A * 1/1910 Hajos A47C 4/14
297/52
- D44,752 S * 10/1913 Eckerson D6/370

OTHER PUBLICATIONS

Outdoor Folding Table and Chair Set by Camco Store, first available: Aug. 23, 2022. Amazon.com [online], [site visited Feb. 18, 2023], Internet URL: <https://www.amazon.com/Camco-Outdoor-Campsites-Three-Piece-51640/dp/B0BBP1N7Q6> (Year: 2022).*

Primary Examiner — Mary Ann Calabrese
Assistant Examiner — Hillary Catherine Shepard
(74) *Attorney, Agent, or Firm* — Tuggle Duggins P.A.; Blake P. Hurt

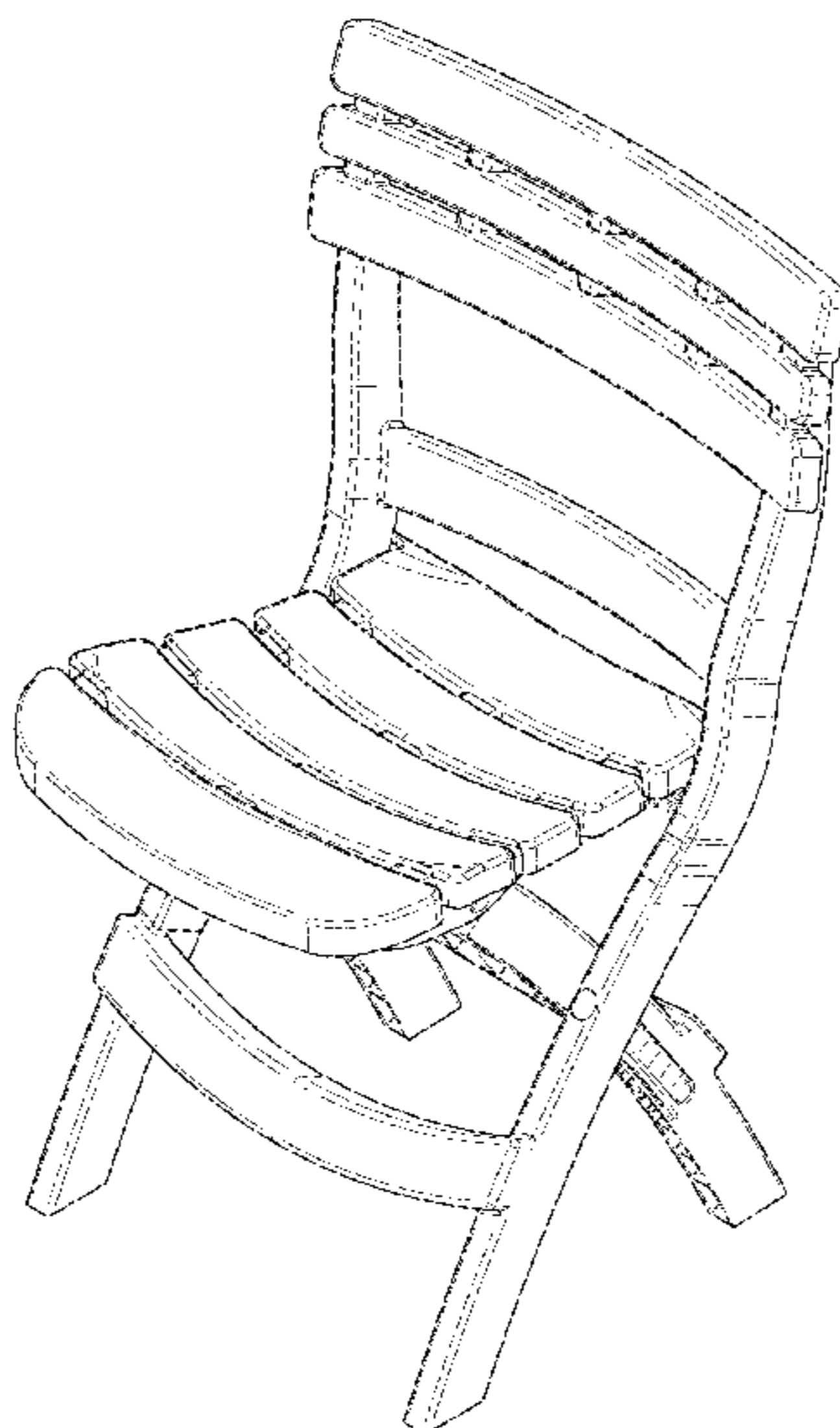
(57) **CLAIM**

The ornamental design for a folding chair, as shown and described.

DESCRIPTION

FIG. 1 is a top, front, right side perspective view of folding chair showing our new design;
FIG. 2 is a bottom, rear, left side perspective view thereof;
FIG. 3 is a right side elevational view thereof;
FIG. 4 is a left side elevational view thereof;
FIG. 5 is a top plan view thereof;
FIG. 6 is a bottom plan view thereof;
FIG. 7 is a front elevational view thereof; and,
FIG. 8 is a rear elevational view thereof.

1 Claim, 8 Drawing Sheets



(56)

References Cited

U.S. PATENT DOCUMENTS

D291,161 S * 8/1987 Hubert D6/370
D295,345 S * 4/1988 Hubert D6/370
D295,346 S * 4/1988 Hubert D6/370
D296,274 S * 6/1988 Winters D6/368
D461,968 S * 8/2002 Adams D6/368
D501,732 S * 2/2005 Hutton D6/370
6,890,026 B1 * 5/2005 Shin A47C 4/03
182/35
D687,234 S * 8/2013 Pedersen D6/370
D896,540 S * 9/2020 Schölander D6/368
2003/0184132 A1 * 10/2003 Adams A47C 4/14
297/56
2015/0289657 A1 * 10/2015 Gendell A47C 4/08
297/16.1
2022/0007838 A1 * 1/2022 Hale A47C 4/24

* cited by examiner

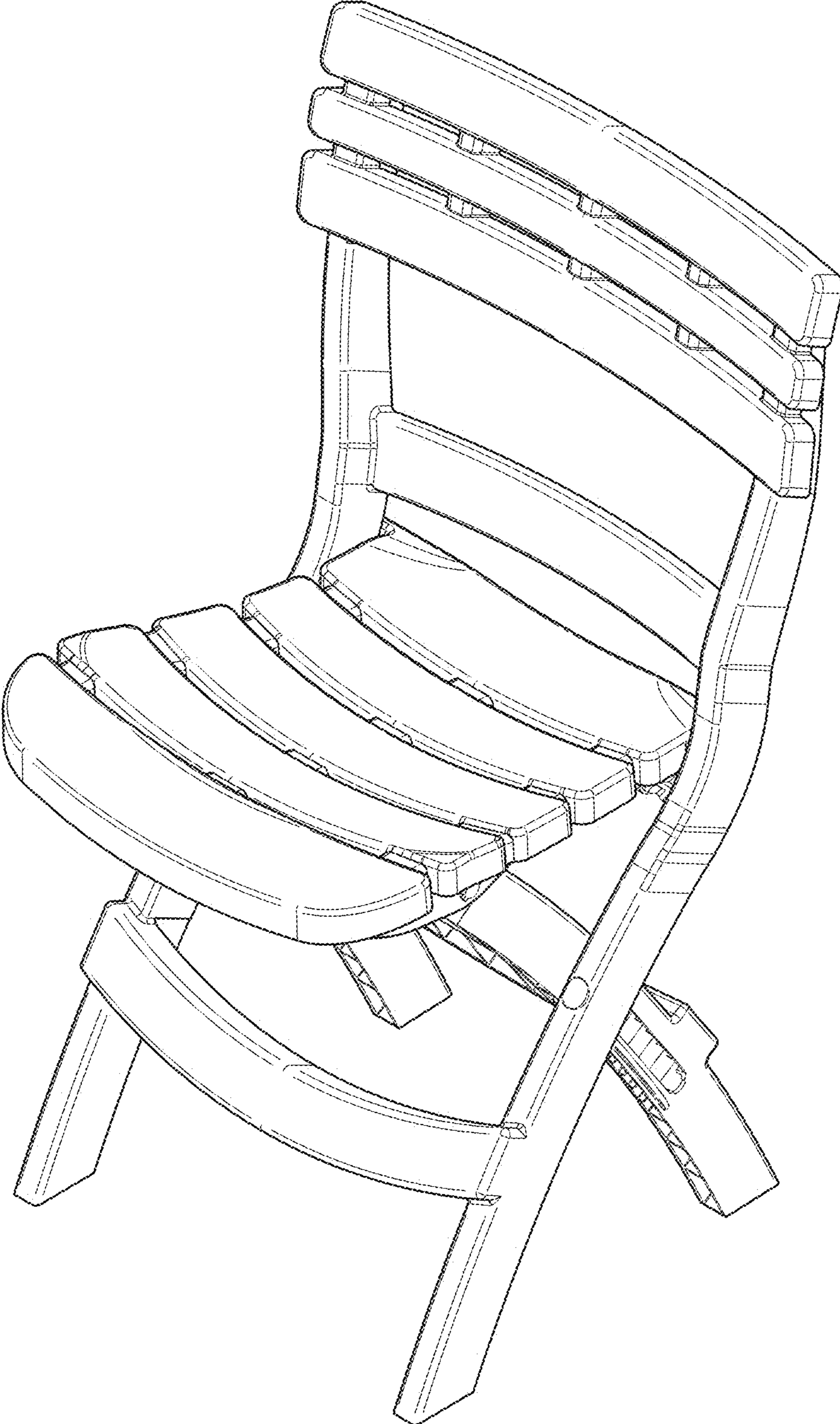


FIG. 1

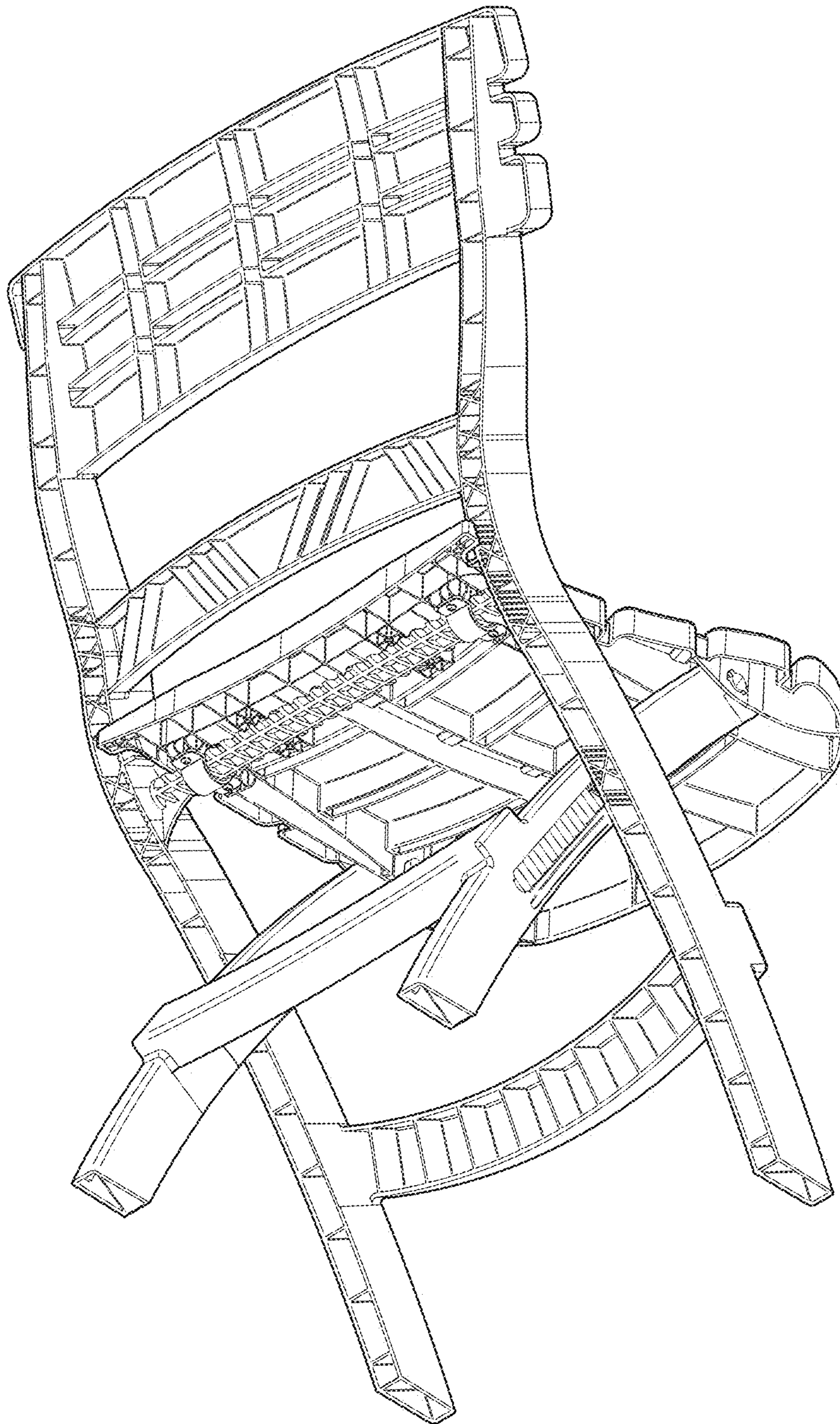


FIG. 2

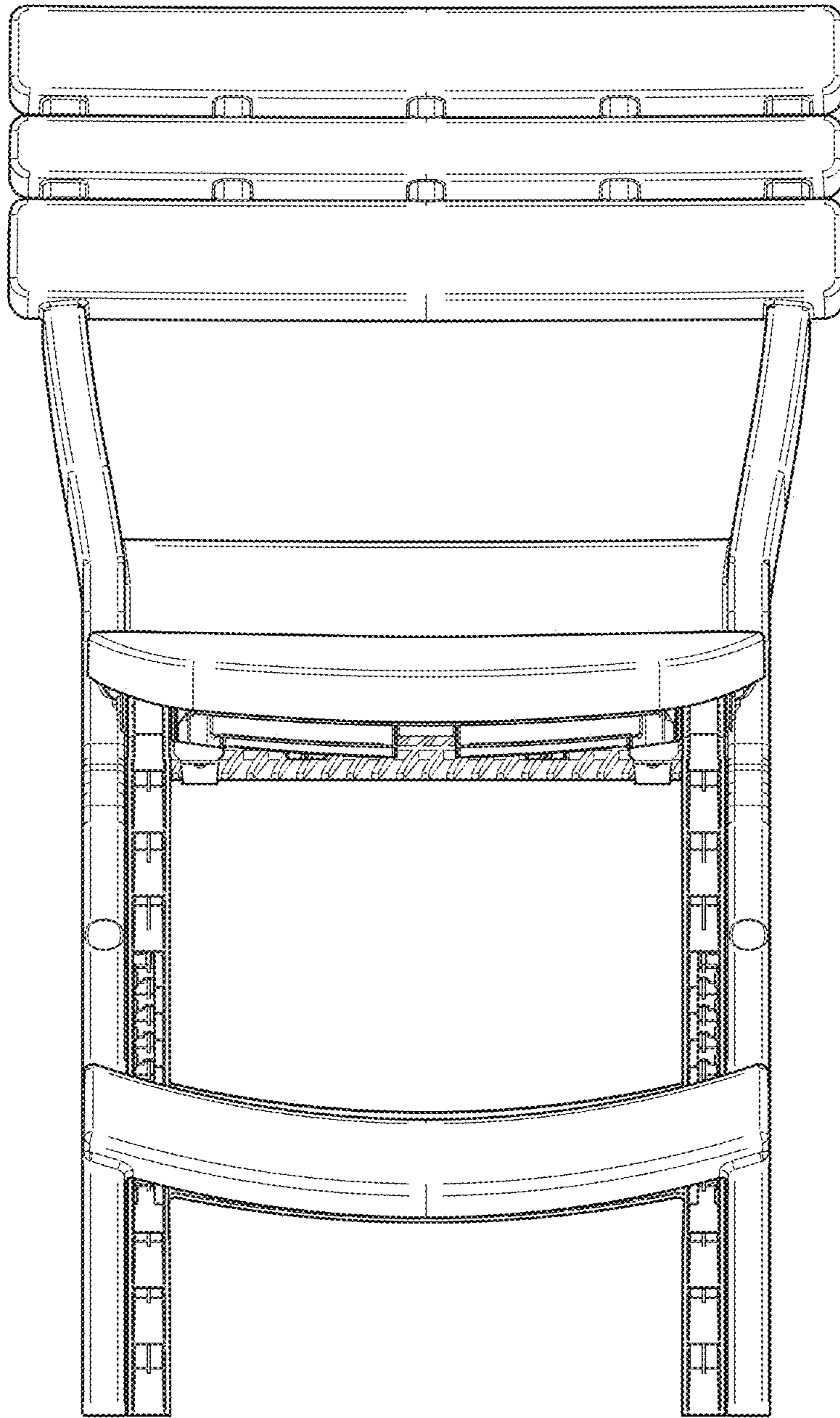


FIG. 3

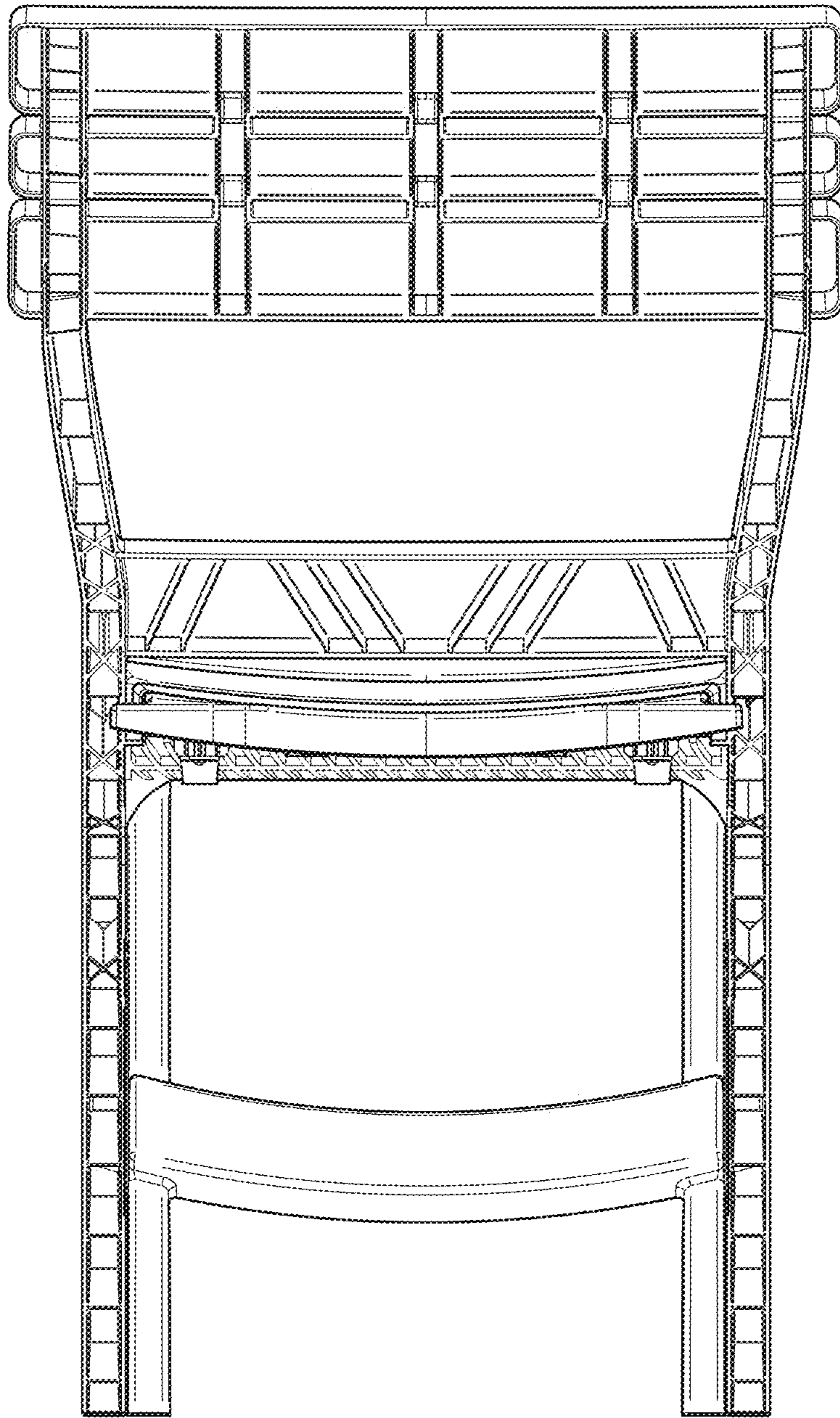


FIG. 4

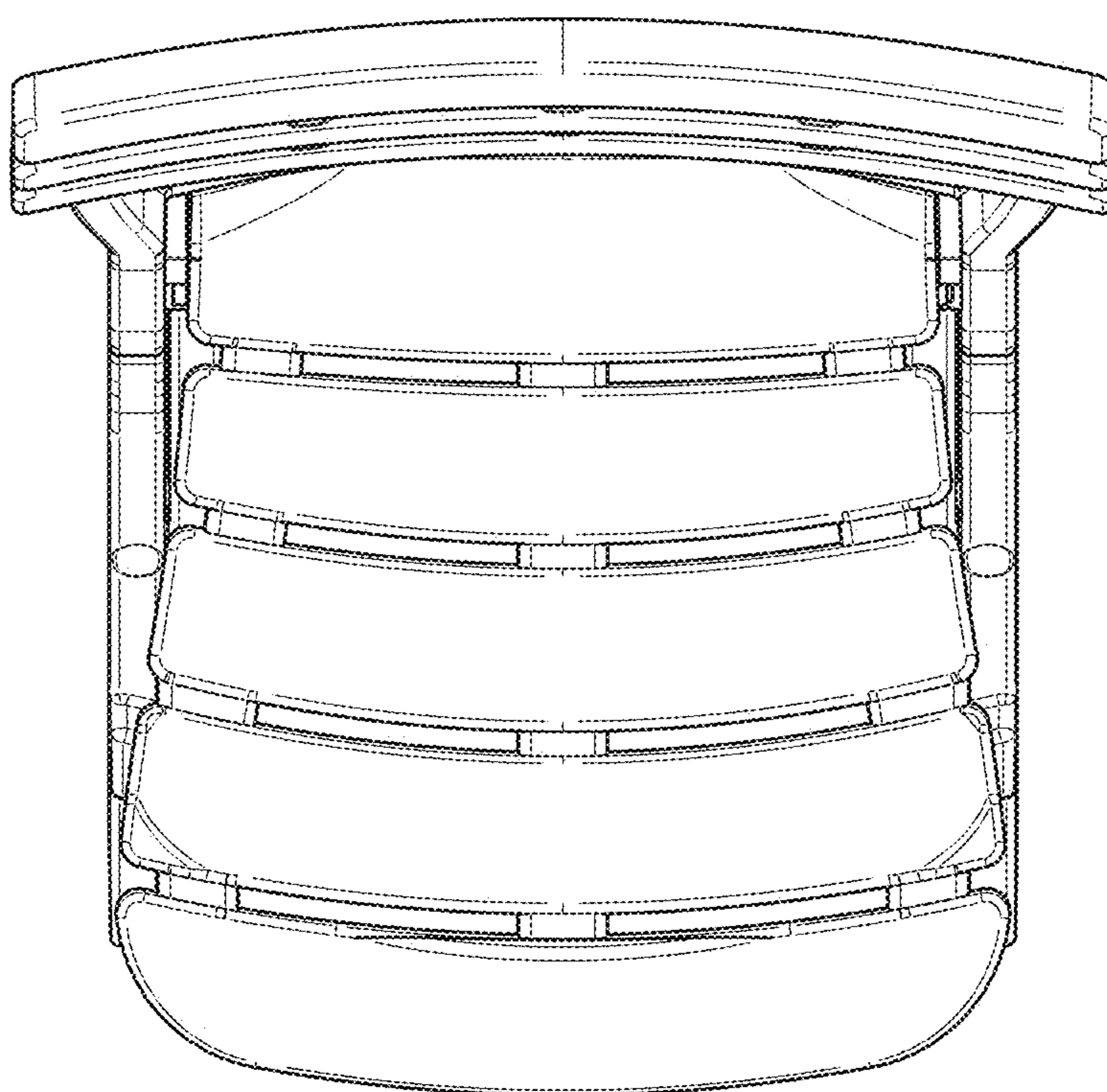


FIG. 5

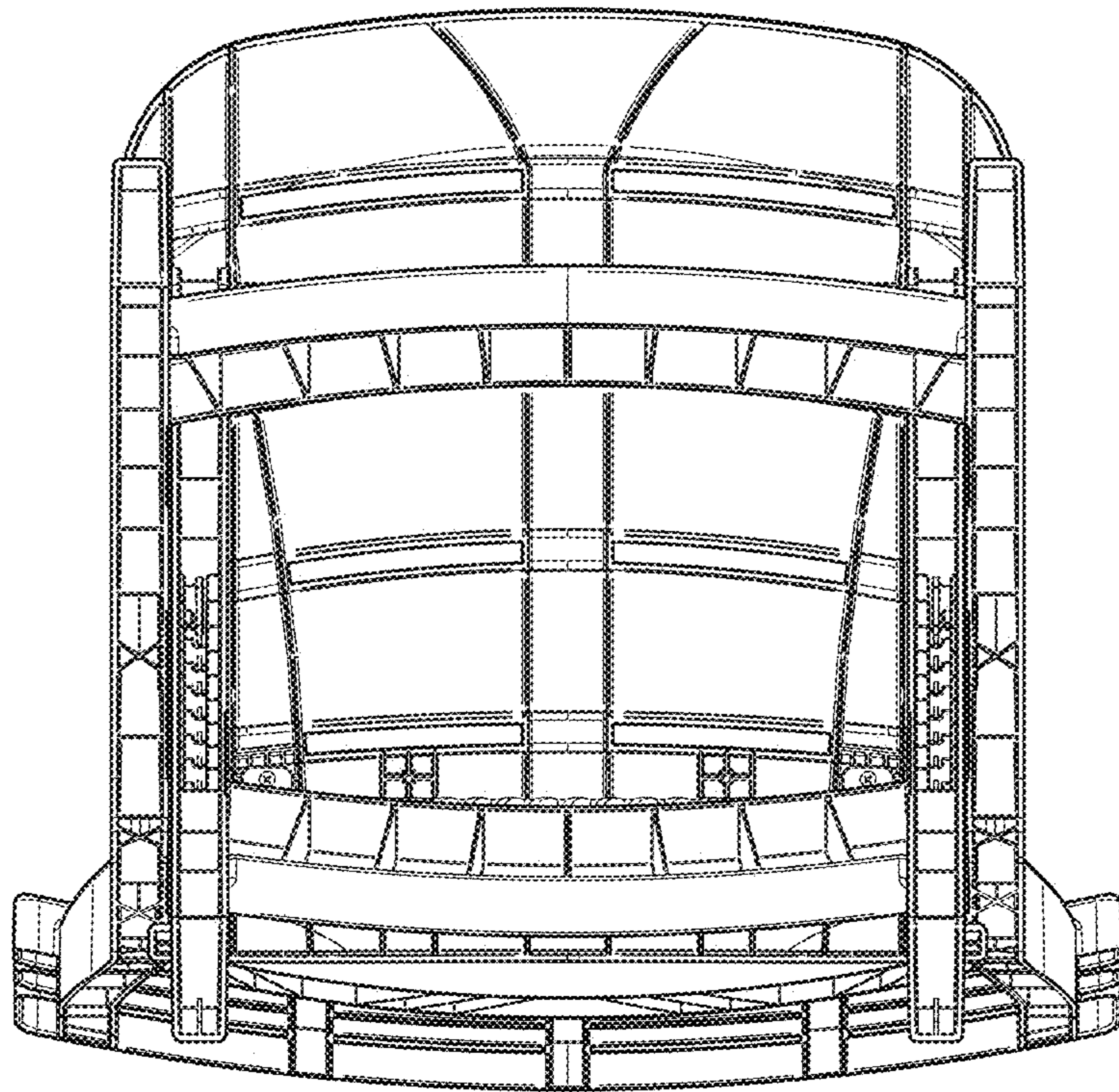


FIG. 6

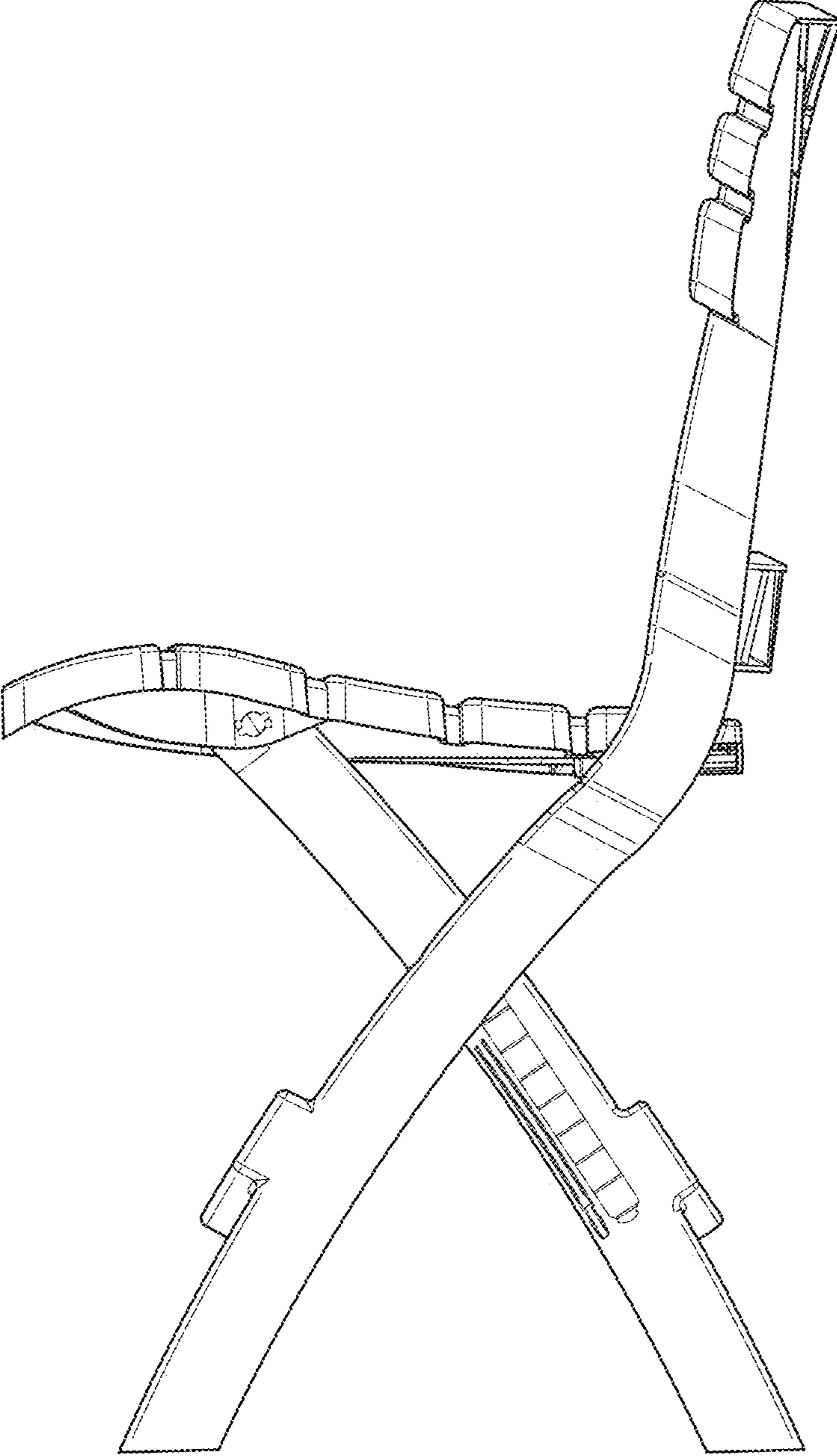


FIG. 7

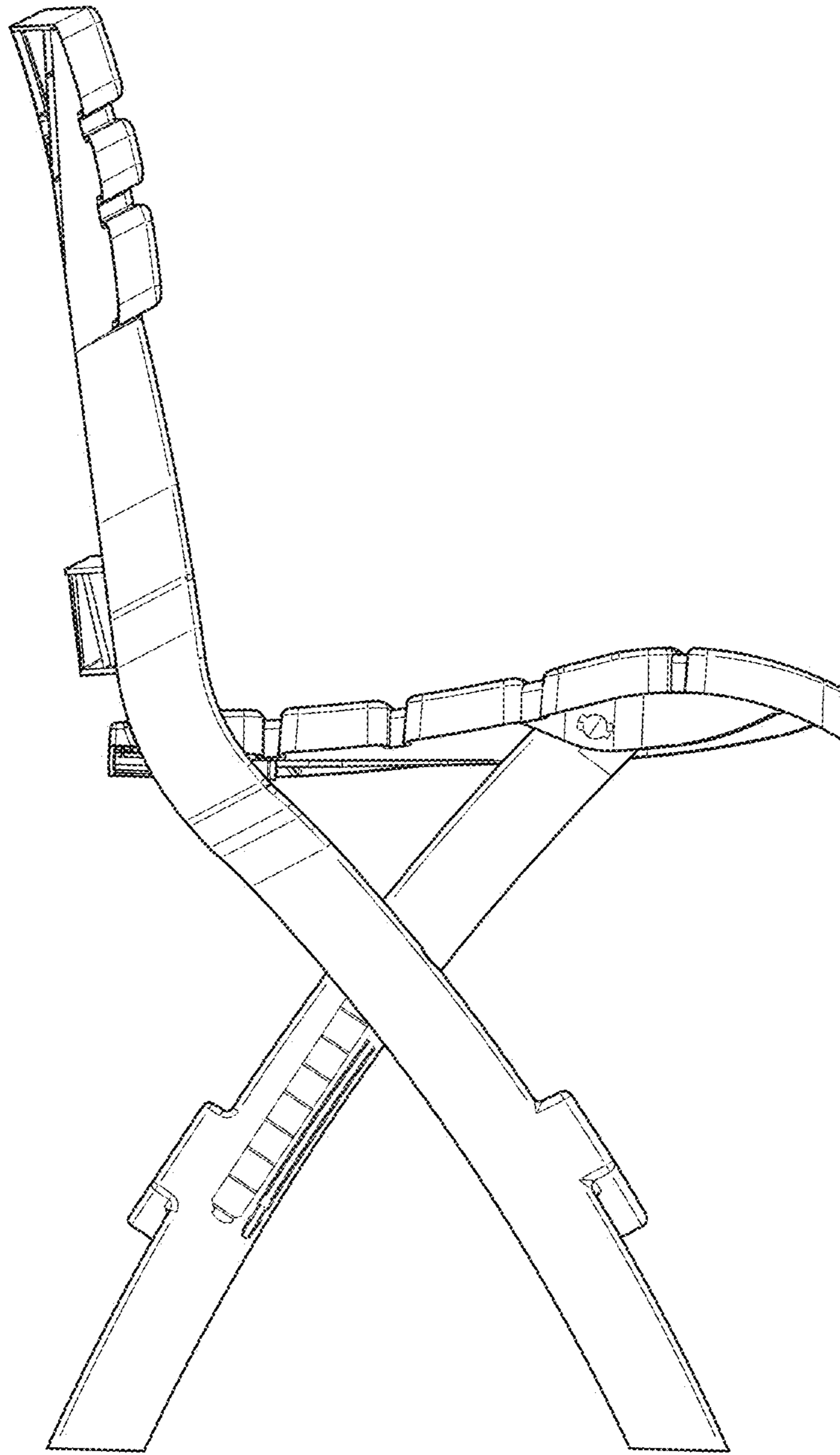


FIG. 8