



US00D984157S

(12) **United States Design Patent** (10) **Patent No.:** **US D984,157 S**
Shen (45) **Date of Patent:** **** Apr. 25, 2023**

(54) **BAR CHAIR** D848,165 S 5/2019 Saito
(71) Applicant: **Jiehui Shen, Jiaxing (CN)** D899,121 S * 10/2020 Yang D6/360
D905,985 S * 12/2020 Li D6/360
(72) Inventor: **Jiehui Shen, Jiaxing (CN)** D910,324 S 2/2021 Tao
D932,790 S 10/2021 Lu
D934,605 S * 11/2021 Petrucci D6/716
D938,182 S 12/2021 Li
(**) Term: **15 Years** D965,319 S * 10/2022 Wu D6/360

(21) Appl. No.: **29/860,192**

(22) Filed: **Nov. 17, 2022**

(51) **LOC (14) Cl.** **06-01**

(52) **U.S. Cl.**
USPC **D6/360; D6/364**

(58) **Field of Classification Search**
USPC D6/334, 348, 349, 352-354, 360, 364,
D6/366, 369, 370, 374, 375, 716, 716.1
CPC A47C 7/185; A47C 7/004; A47C 9/007
See application file for complete search history.

(56) **References Cited**

U.S. PATENT DOCUMENTS

D124,032 S * 12/1940 Houghton D6/369
D431,914 S * 10/2000 Lewis D6/334
D512,845 S * 12/2005 O'Hare D6/370
D638,633 S 5/2011 Du
D639,082 S * 6/2011 Pengelly D6/360
D672,579 S 12/2012 Vass
D688,481 S * 8/2013 Lee D6/360
D723,811 S * 3/2015 Weyts D6/334
D781,606 S 3/2017 Ngo
D795,621 S * 8/2017 Ono D6/366
D799,229 S 10/2017 Pan
D821,773 S * 7/2018 Hale D6/374
D837,545 S * 1/2019 Jahns D6/349
D838,505 S 1/2019 Ngo
D846,930 S 4/2019 Patton

OTHER PUBLICATIONS

Luccalily Counter Height Bar Stool, available in Amazon.com, date first available Mar. 14, 2022 [online], Retrieved Jan. 17, 2023 from URL: <https://www.amazon.com/Luccalily-Counter-Adjustable-Footrest-Kitchen/dp/B09VGK9T6Z?th=1> (Year: 2022).*

* cited by examiner

Primary Examiner — Vy N Koenig
Assistant Examiner — Michelle M Reeves
(74) *Attorney, Agent, or Firm* — Runit Ranjit Kanakia

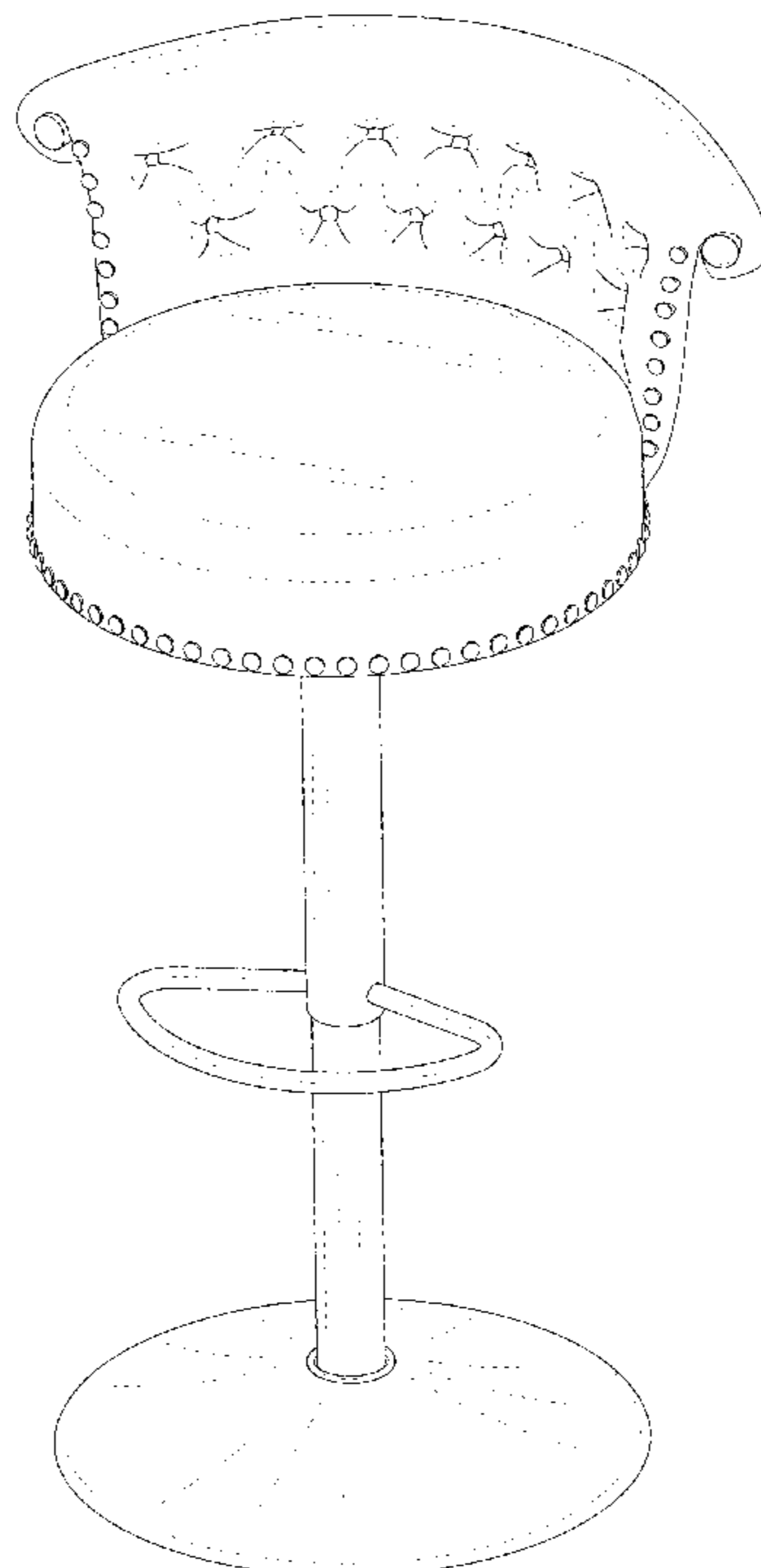
(57) **CLAIM**

The ornamental design for a bar chair, as shown and described.

DESCRIPTION

FIG. 1 is a front perspective view of a bar chair, showing my new design;
FIG. 2 is rear perspective view thereof;
FIG. 3 is a front elevational view thereof;
FIG. 4 is a rear elevational view thereof;
FIG. 5 is a left side view thereof;
FIG. 6 is a right side view thereof;
FIG. 7 is a top plan view thereof; and,
FIG. 8 is a bottom plan view thereof.

1 Claim, 8 Drawing Sheets



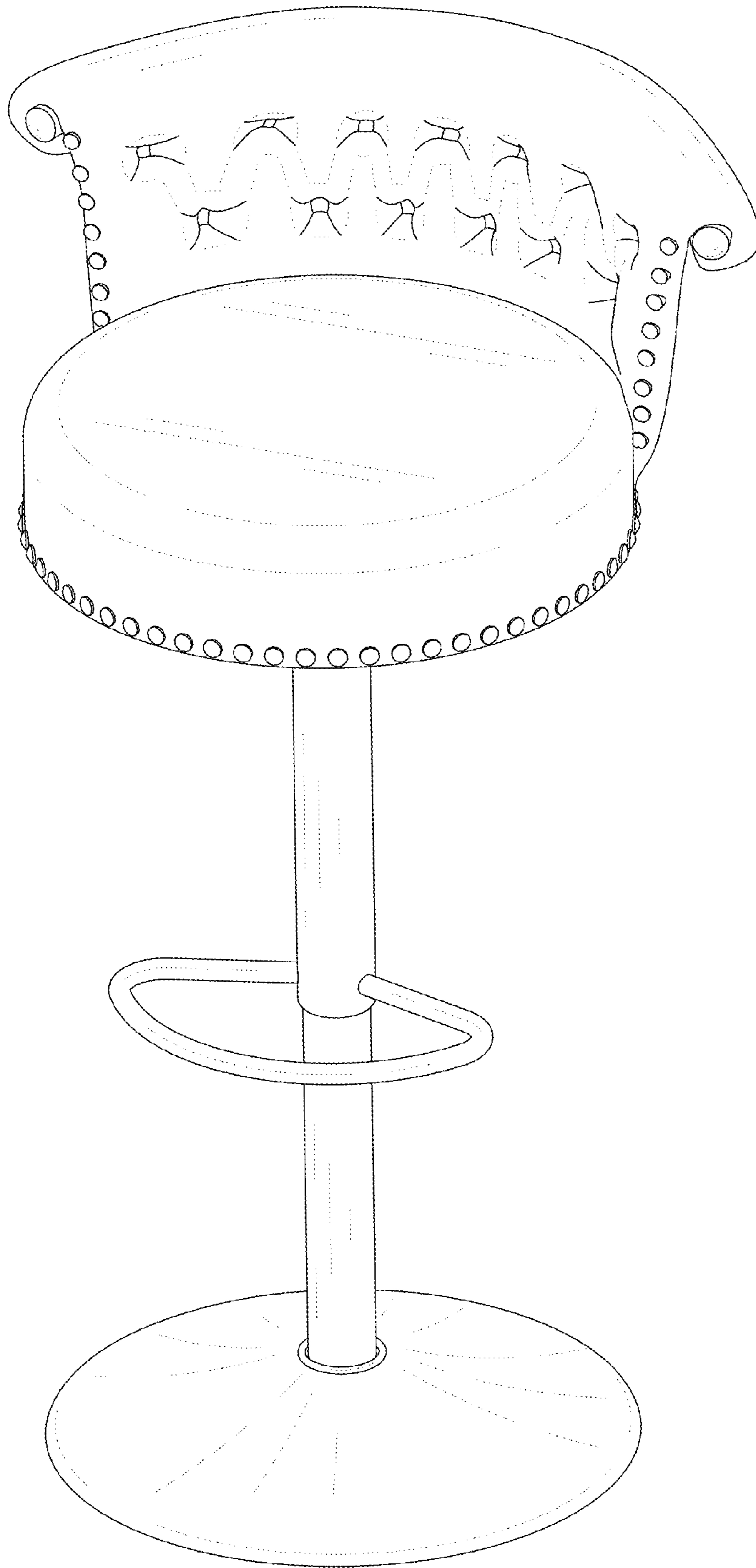


FIG. 1

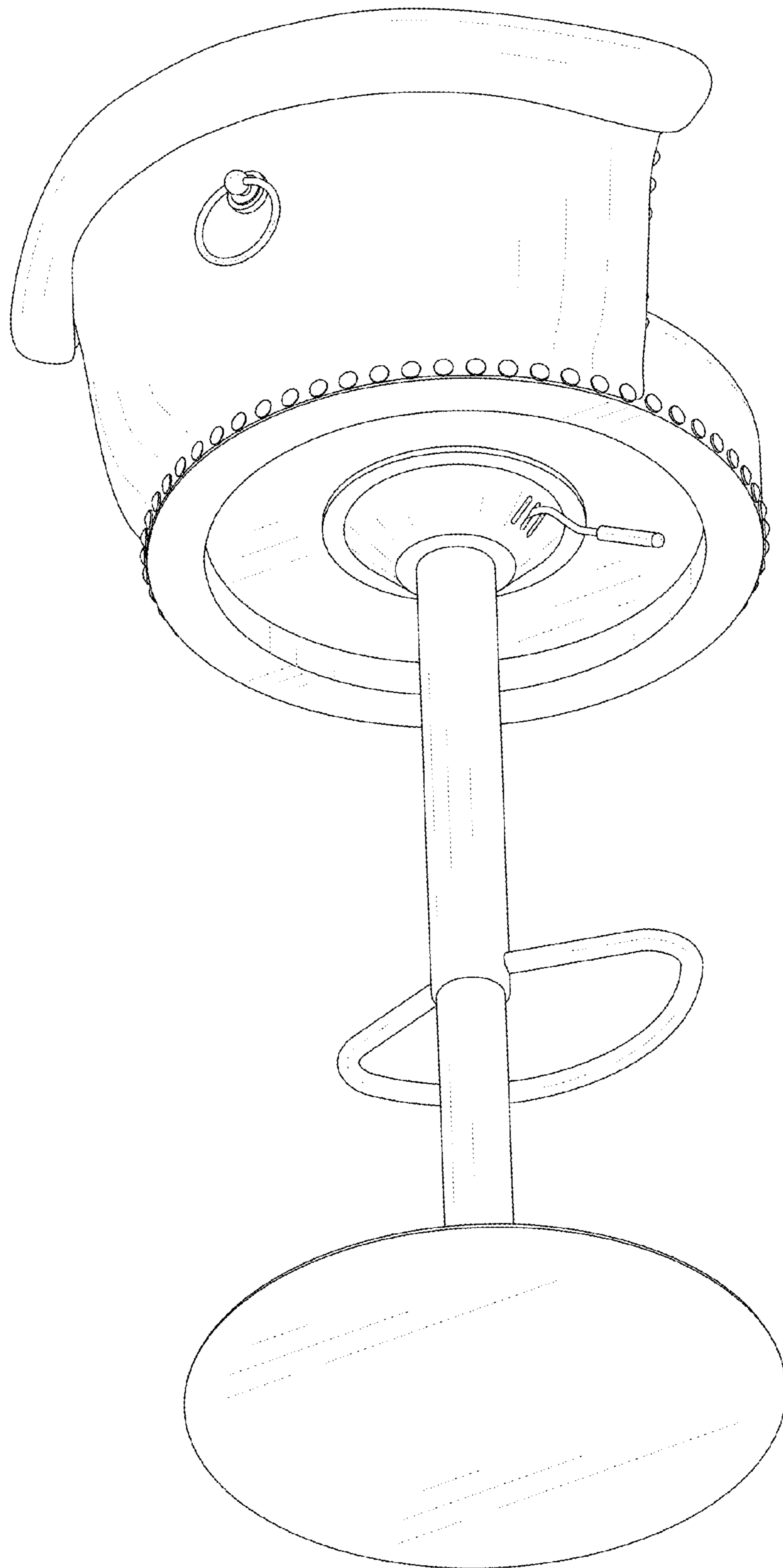


FIG. 2

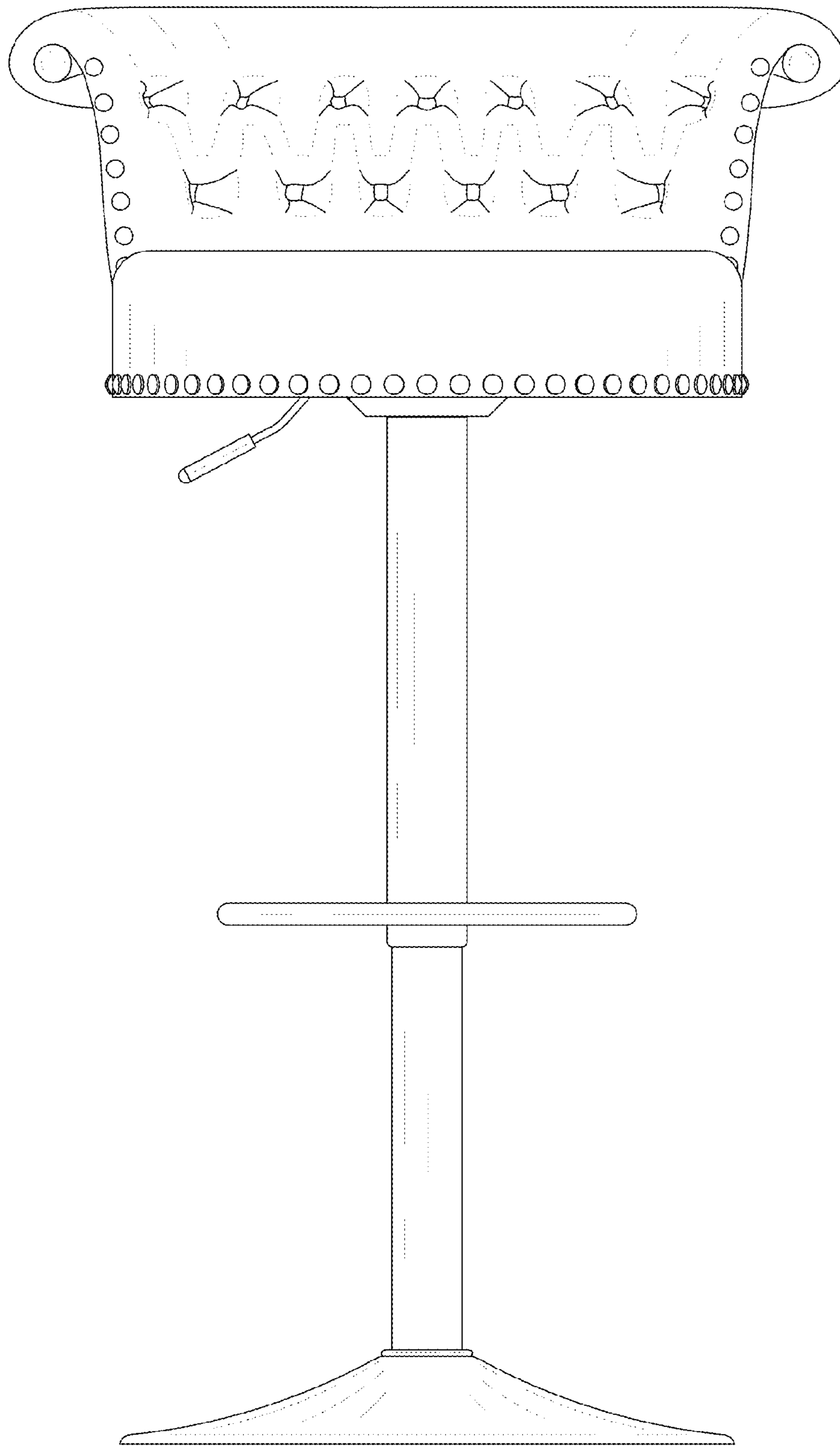


FIG. 3

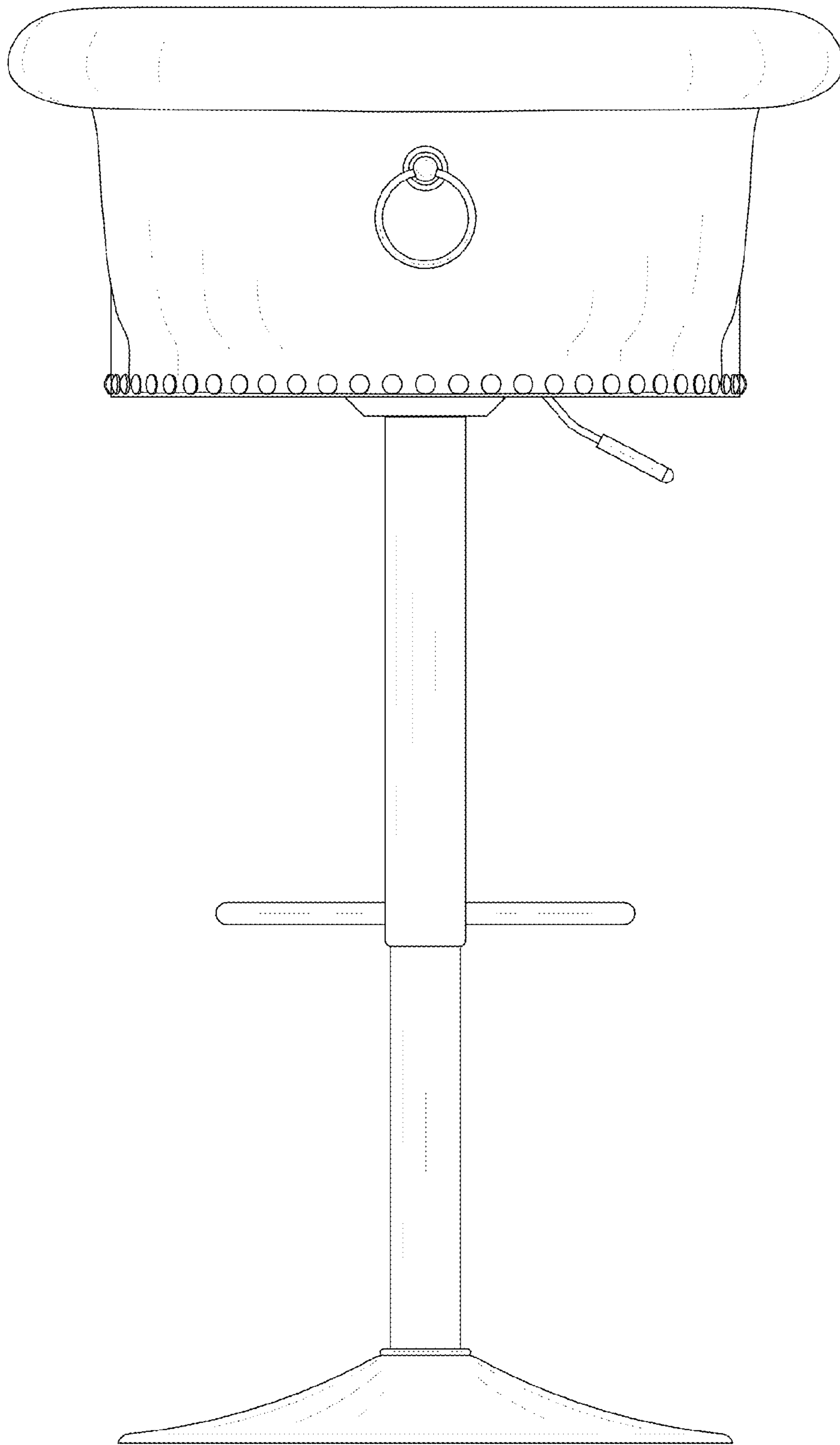


FIG. 4

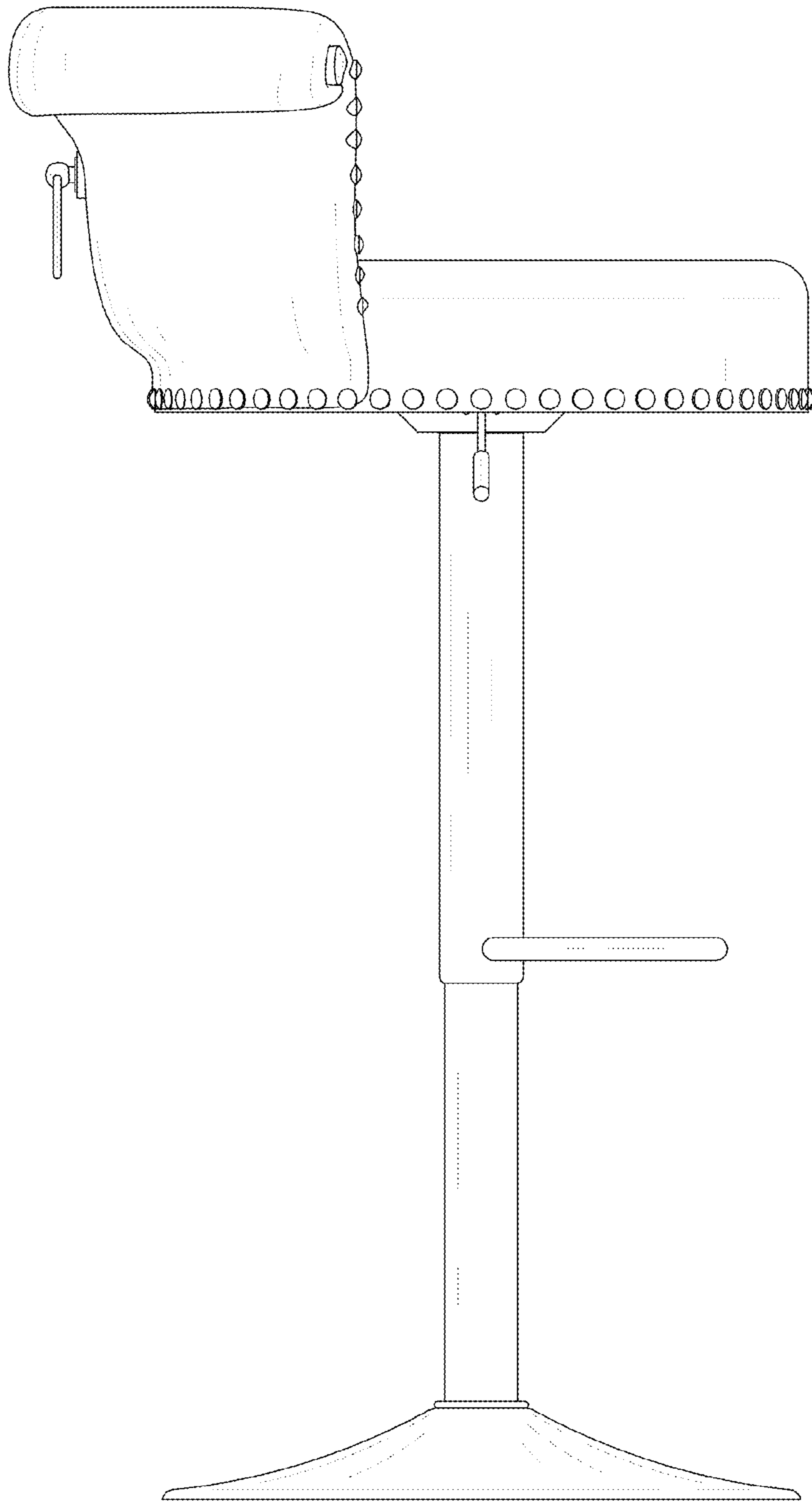


FIG. 5

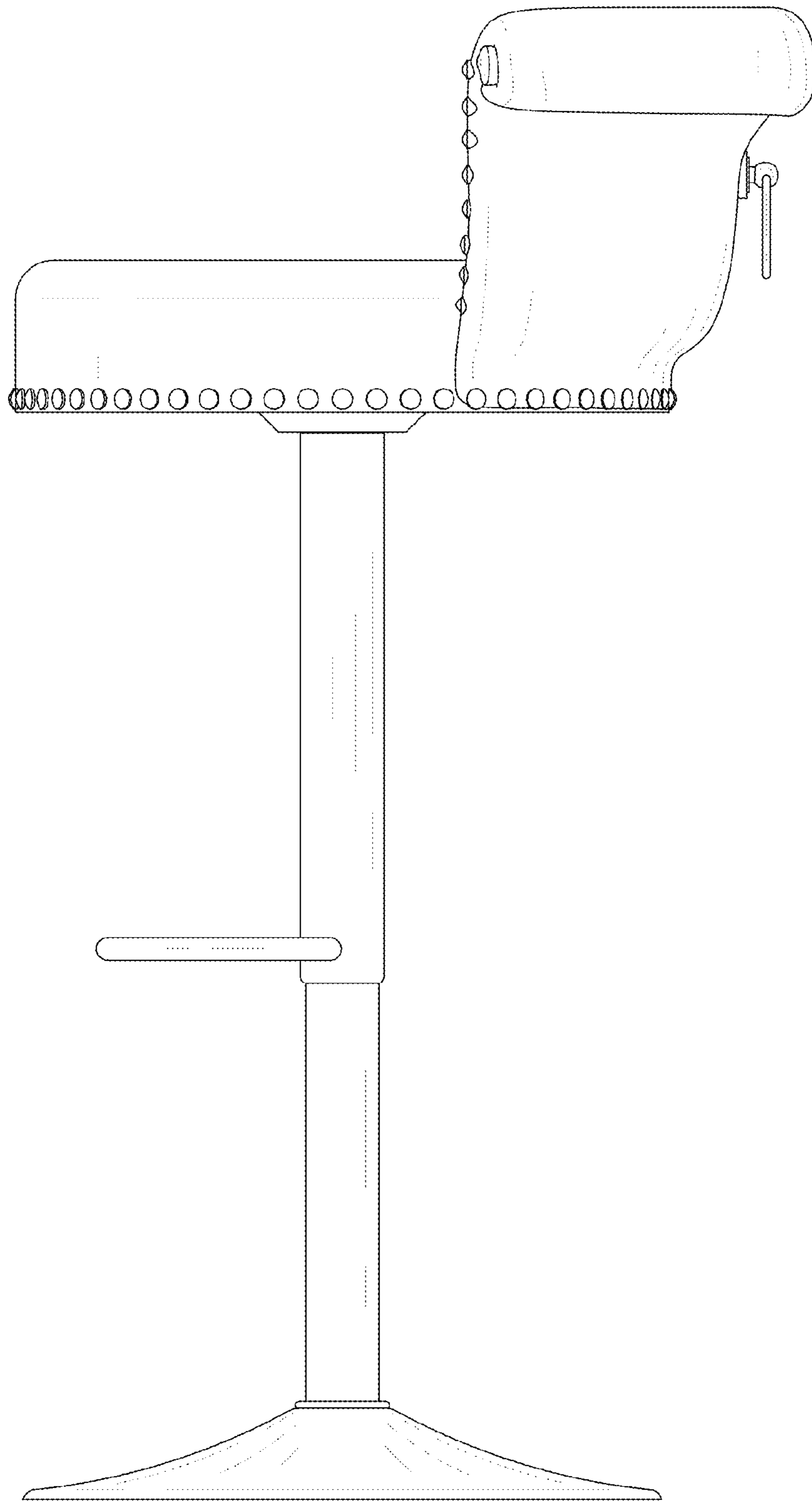


FIG. 6

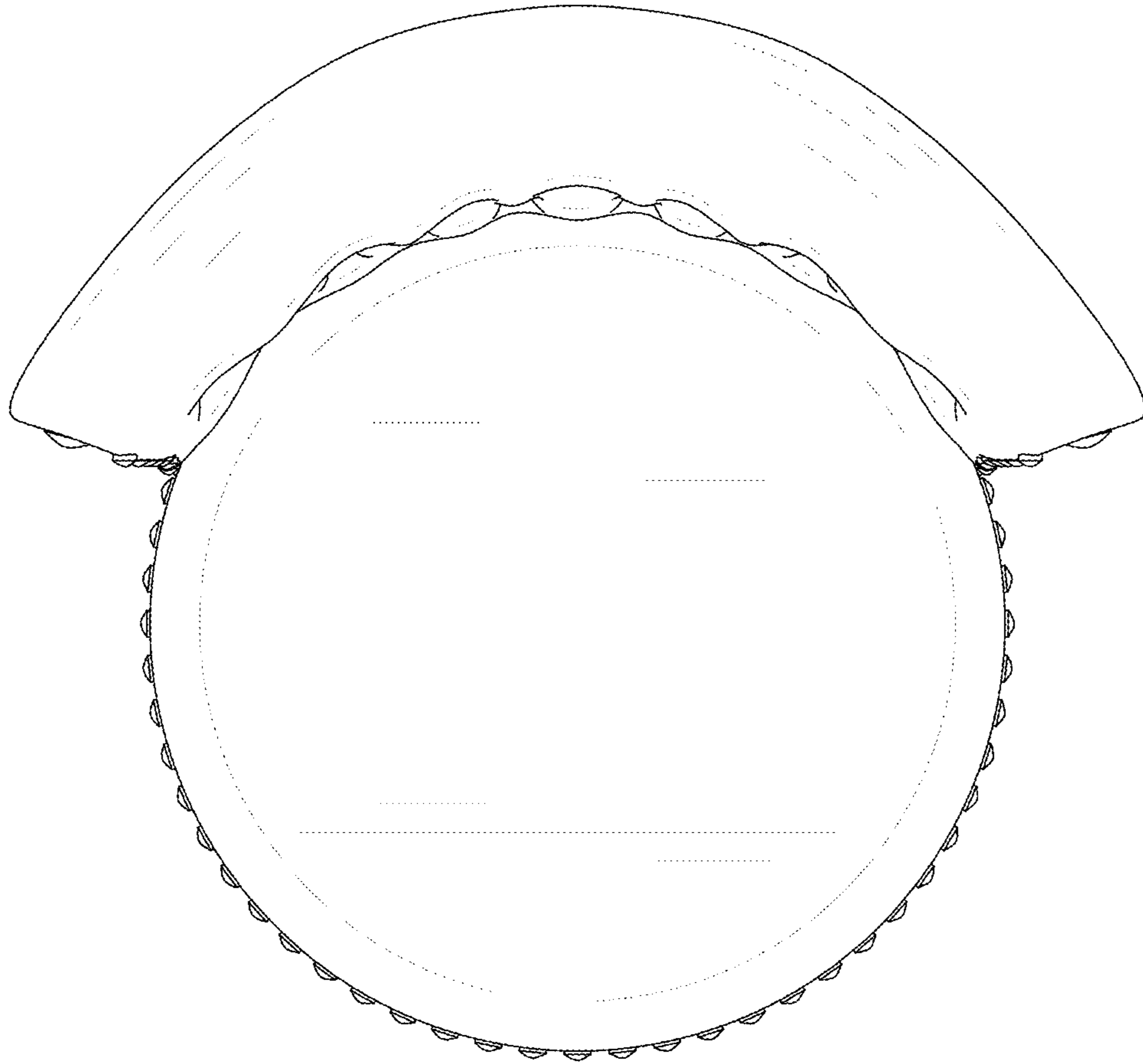


FIG. 7

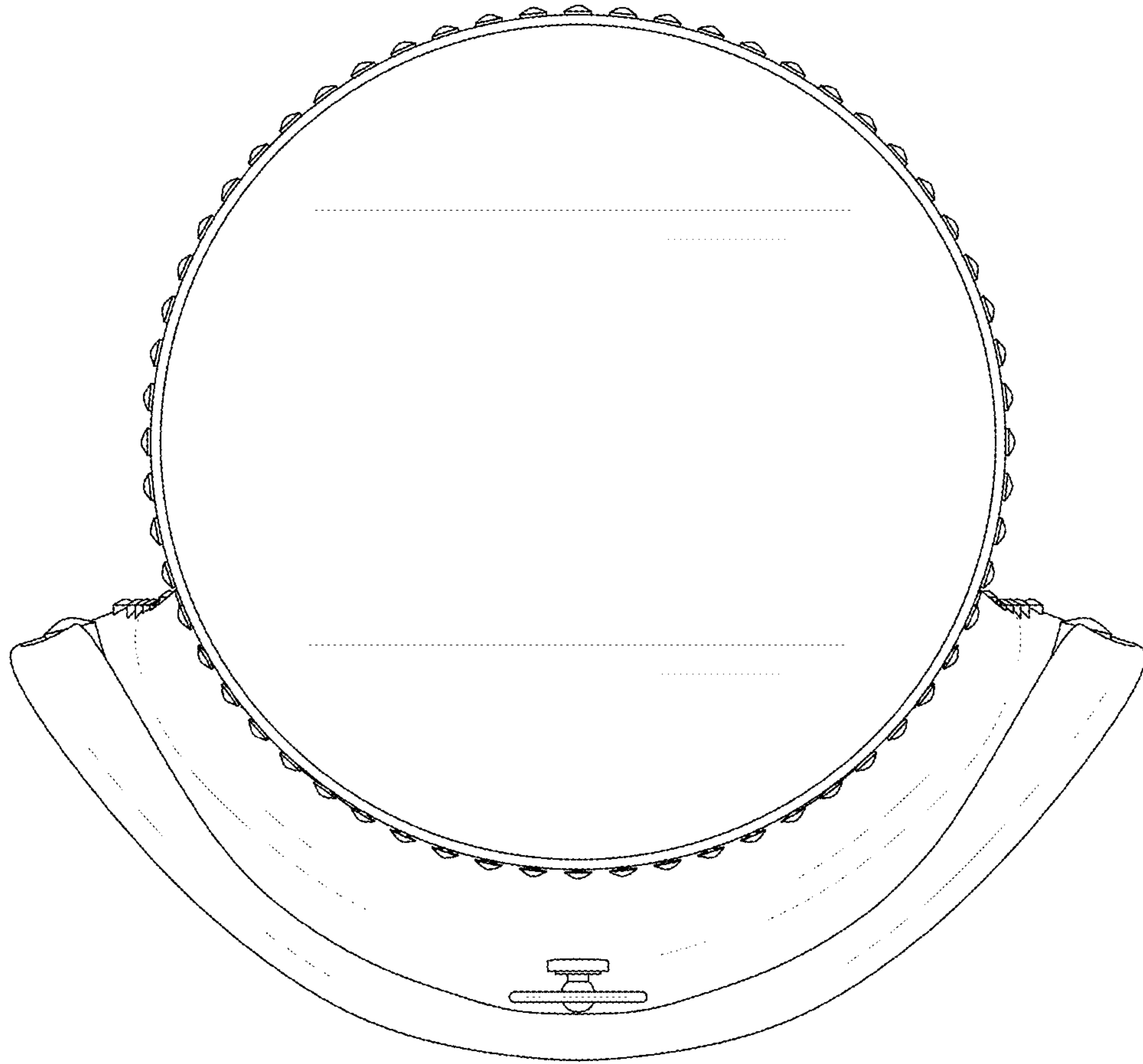


FIG. 8