



US00D984154S

(12) **United States Design Patent** (10) **Patent No.:** **US D984,154 S**
Tang et al. (45) **Date of Patent:** **** *Apr. 25, 2023**

(54) **CHILD SEAT**

D400,724 S * 11/1998 Richter D6/368
D793,107 S * 8/2017 Liu A47C 9/025

(71) Applicant: **Ninebot (Beijing) Tech Co., Ltd.**,
Beijing (CN)

D6/354
2017/0105530 A1* 4/2017 Sheinkop A47C 9/025
2018/0255932 A1* 9/2018 Hopper A47C 7/503

(72) Inventors: **Jun Tang**, Beijing (CN); **Ziwei Chen**,
Beijing (CN); **Peng Cheng**, Beijing
(CN)

* cited by examiner

Primary Examiner — Mary Ann Calabrese

(*) Notice: This patent is subject to a terminal dis-
claimer.

(**) Term: **15 Years**

(57) **CLAIM**

(21) Appl. No.: **35/510,968**

The ornamental design for a child seat, as shown and
described.

(22) Filed: **Jun. 12, 2020**

(80) **Hague Agreement Data**

DESCRIPTION

Int. Filing Date: **Jun. 12, 2020**
Int. Reg. No.: **DM/210463**
Int. Reg. Date: **Jun. 12, 2020**
Int. Reg. Pub. Date: **Dec. 18, 2020**

The patent or application file contains at least one drawing
executed in color. Copies of this patent or patent application
publication with color drawing(s) will be provided by the
Office upon request and payment of the necessary fee.

(30) **Foreign Application Priority Data**

Dec. 13, 2019 (CN) 201930697763.X
Dec. 13, 2019 (CN) 201930698079.3

(51) **LOC (14) Cl.** **06-01**

(52) **U.S. Cl.**
USPC **D6/354**

(58) **Field of Classification Search**
USPC D6/333, 335, 354, 355, 362, 367
CPC A47C 3/00; A47C 7/00; A47C 7/02; A47C
7/16; A47C 7/36; A47C 7/38; A47C 7/40;
A47C 7/59; A47D 1/00; A47D 1/002;
A47D 1/004; A47D 1/006; A47D 1/02
See application file for complete search history.

- 1.-2.: Child seat
- 1.1: Front
- 1.2: Back
- 1.3: Left
- 1.4: Right
- 1.5: Top
- 1.6: Bottom
- 1.7: Perspective
- 2.1: Front
- 2.2: Back
- 2.3: Left
- 2.4: Right
- 2.5: Top
- 2.6: Bottom
- 2.7: Perspective

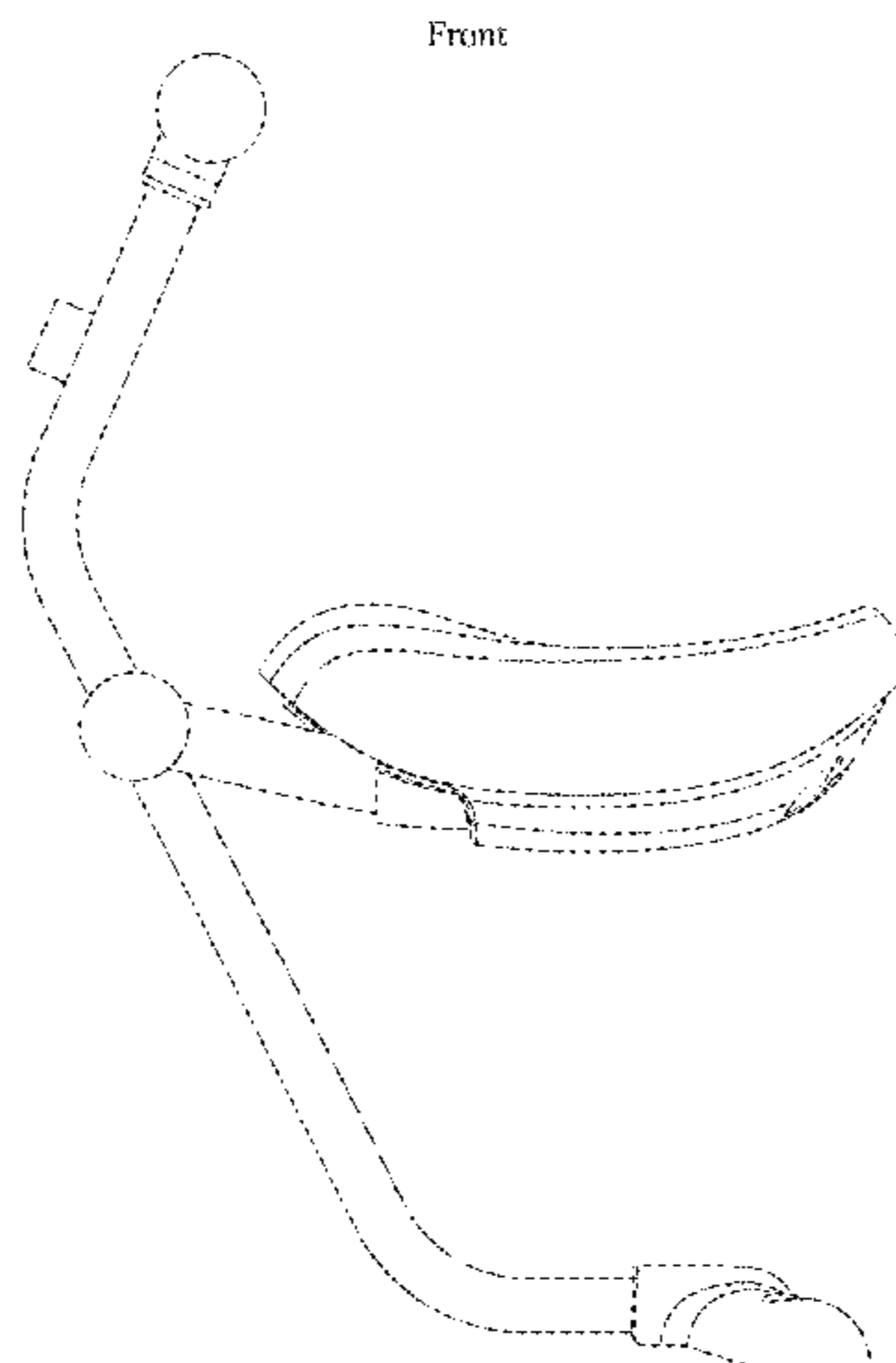
(56) **References Cited**

The portions of the child seat shown by coloring form no
part of the claimed design.

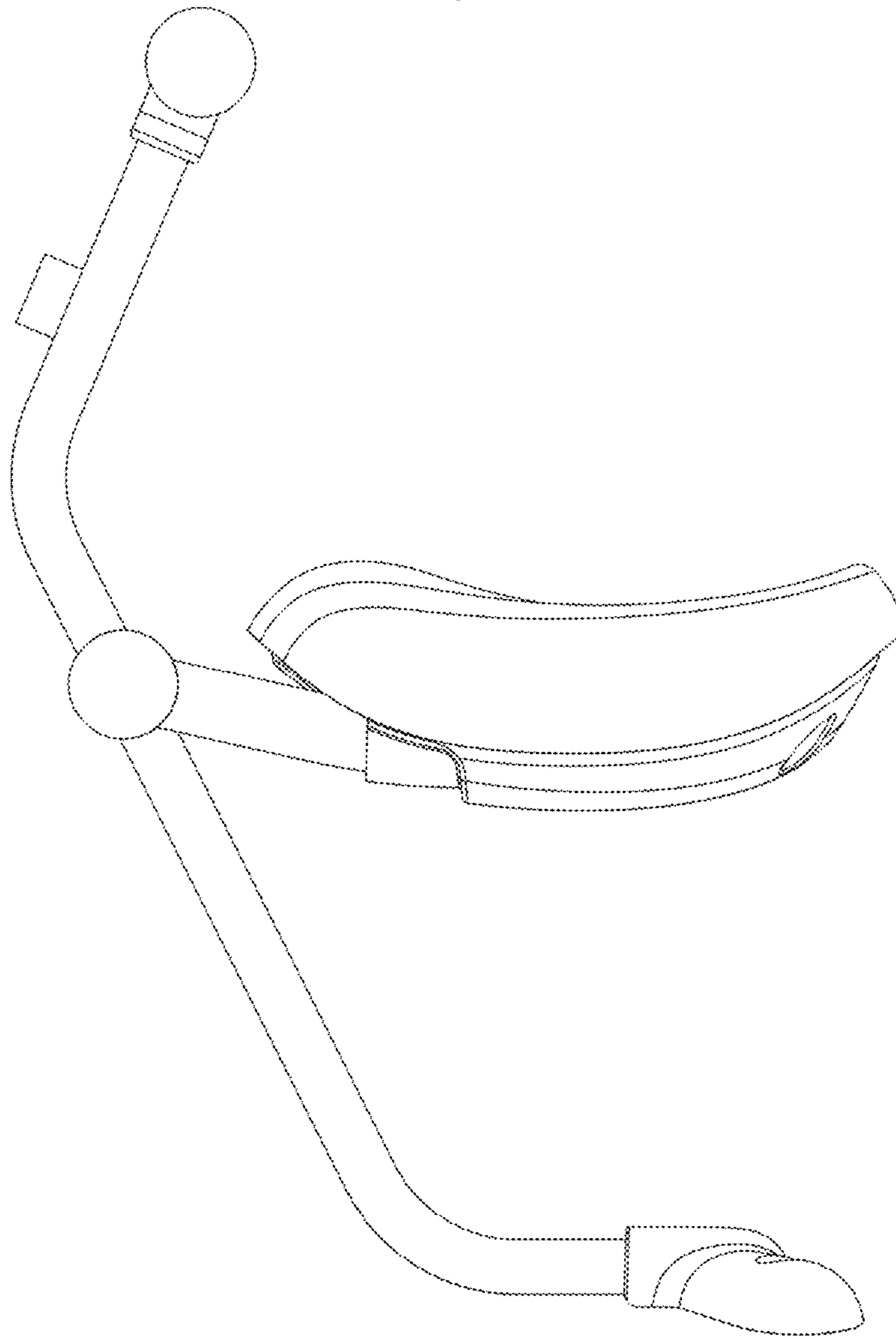
U.S. PATENT DOCUMENTS

D348,568 S * 7/1994 Landry D6/330
D400,723 S * 11/1998 Bergeson D6/368

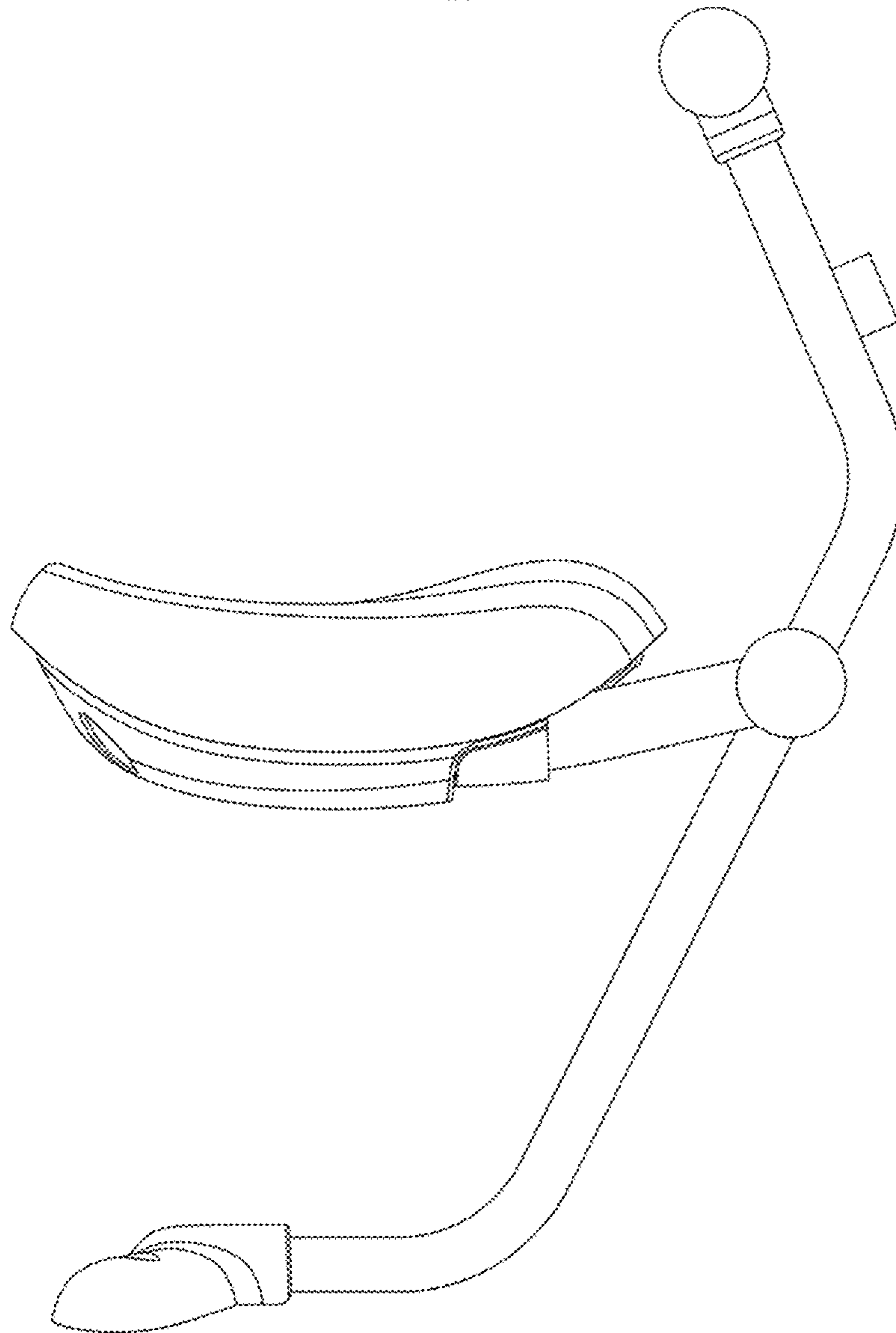
1 Claim, 12 Drawing Sheets
(1 of 12 Drawing Sheet(s) Filed in Color)



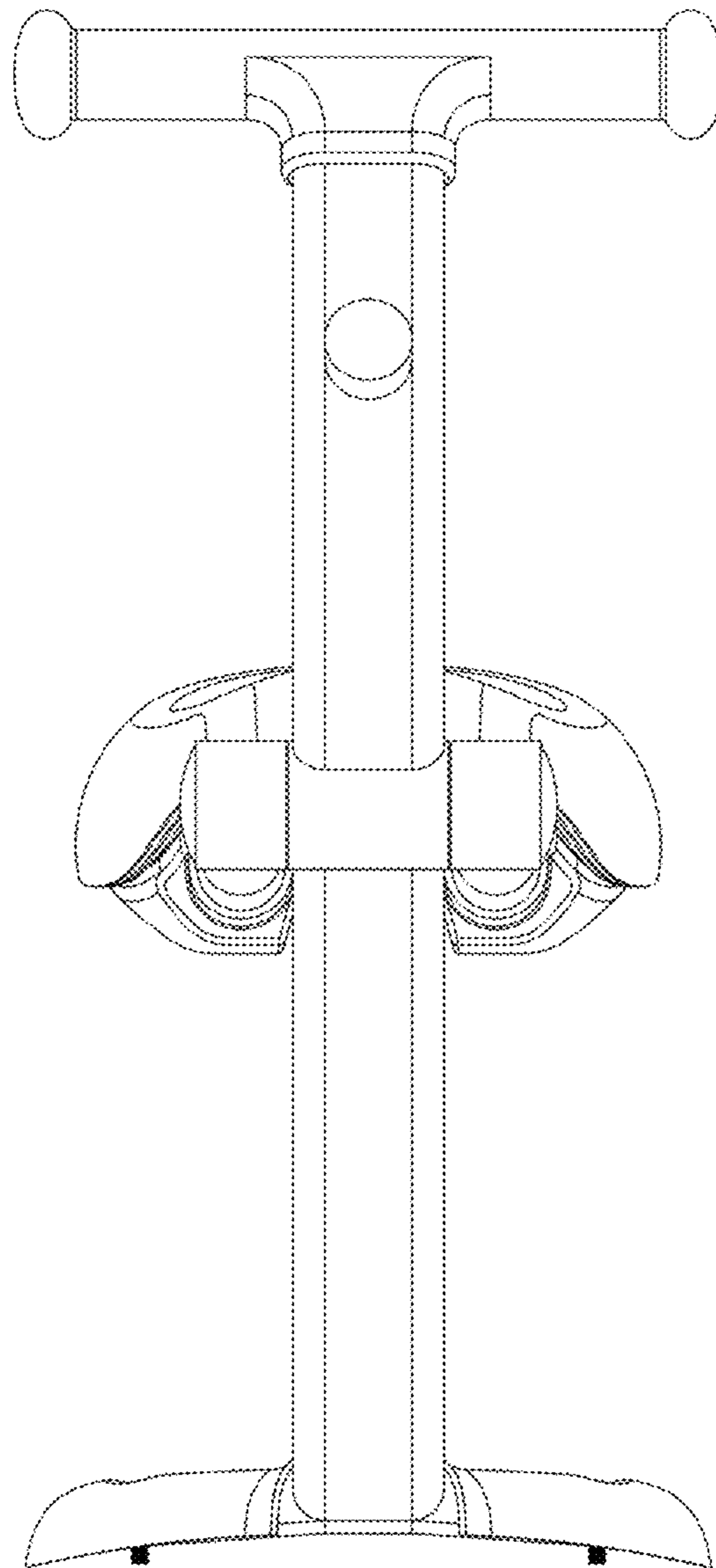
1.1
Front



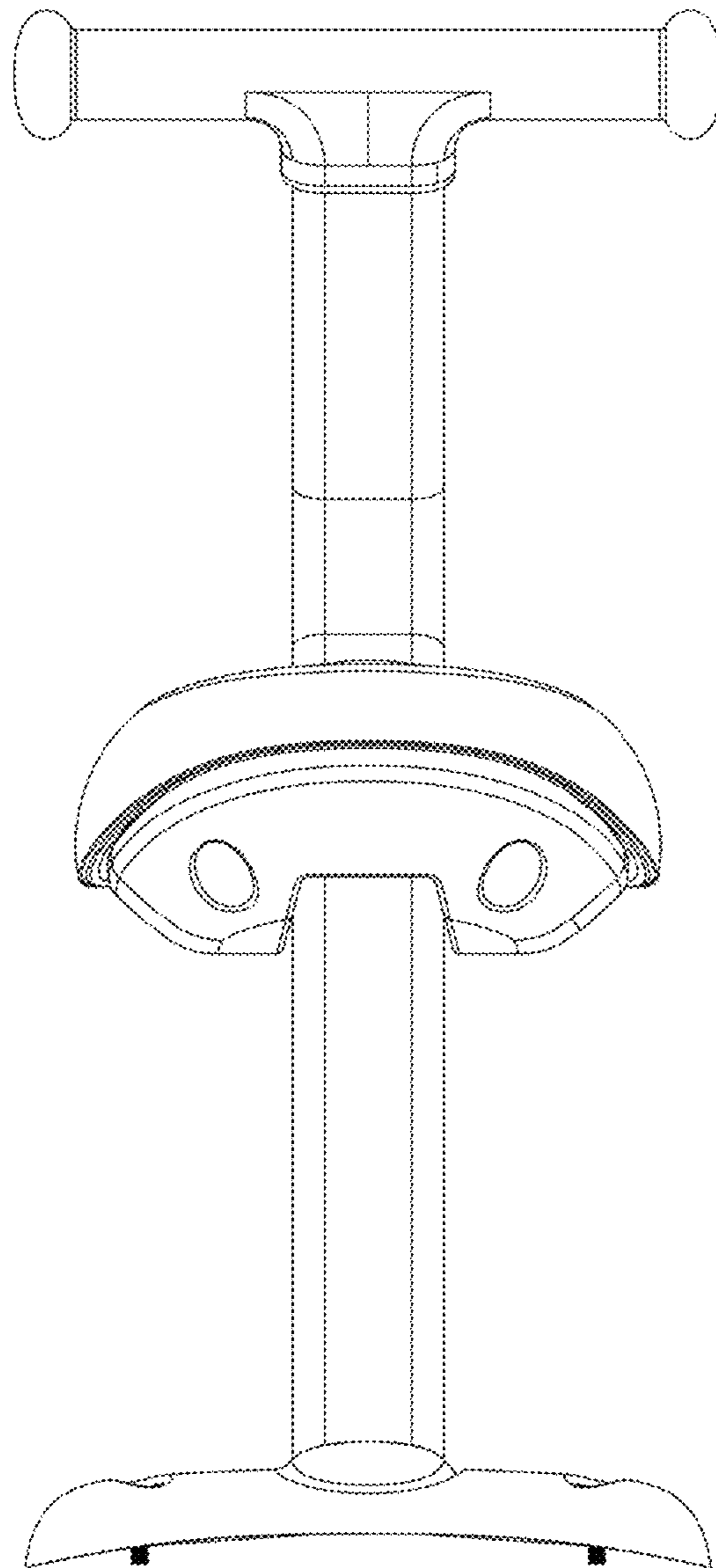
1.2
Back



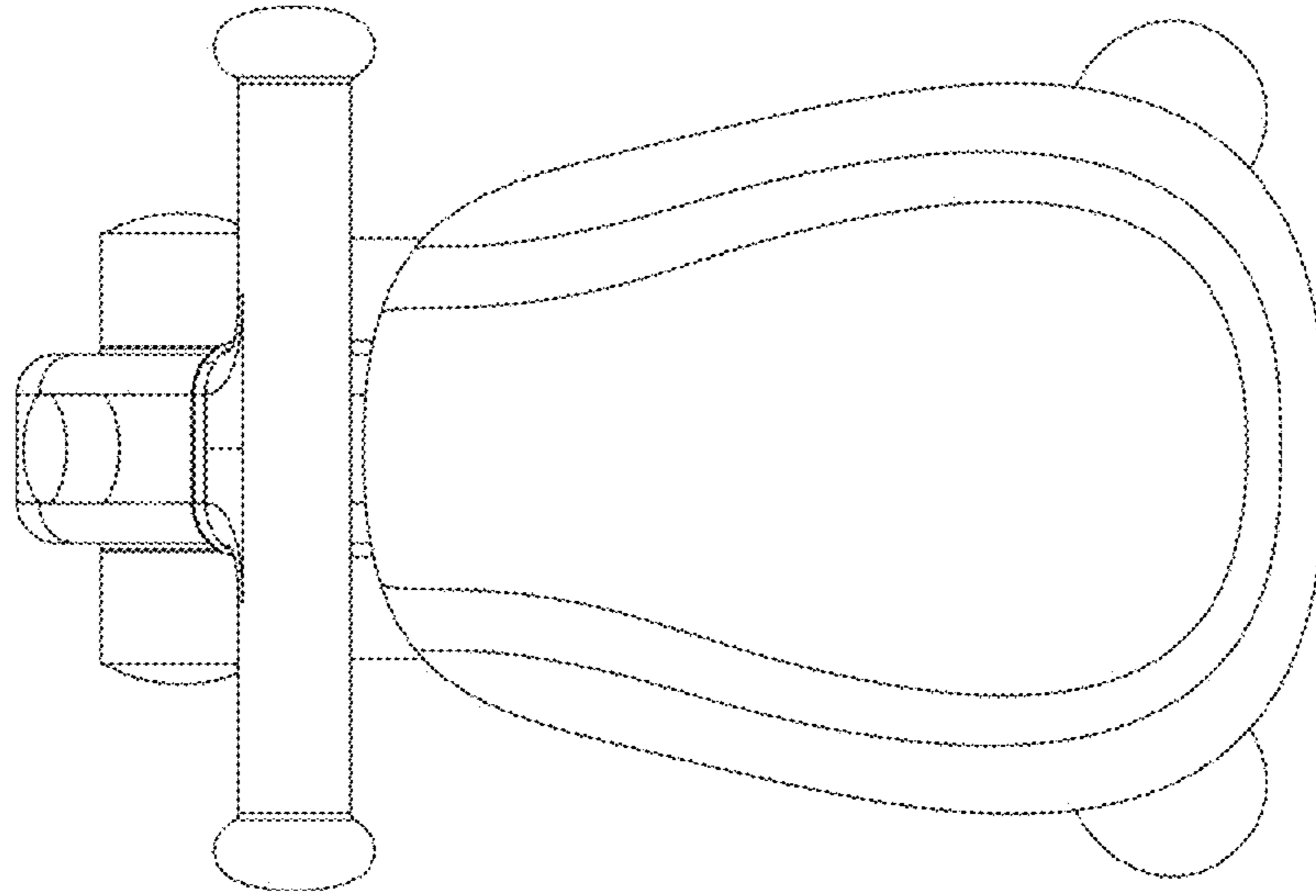
1.3
Left



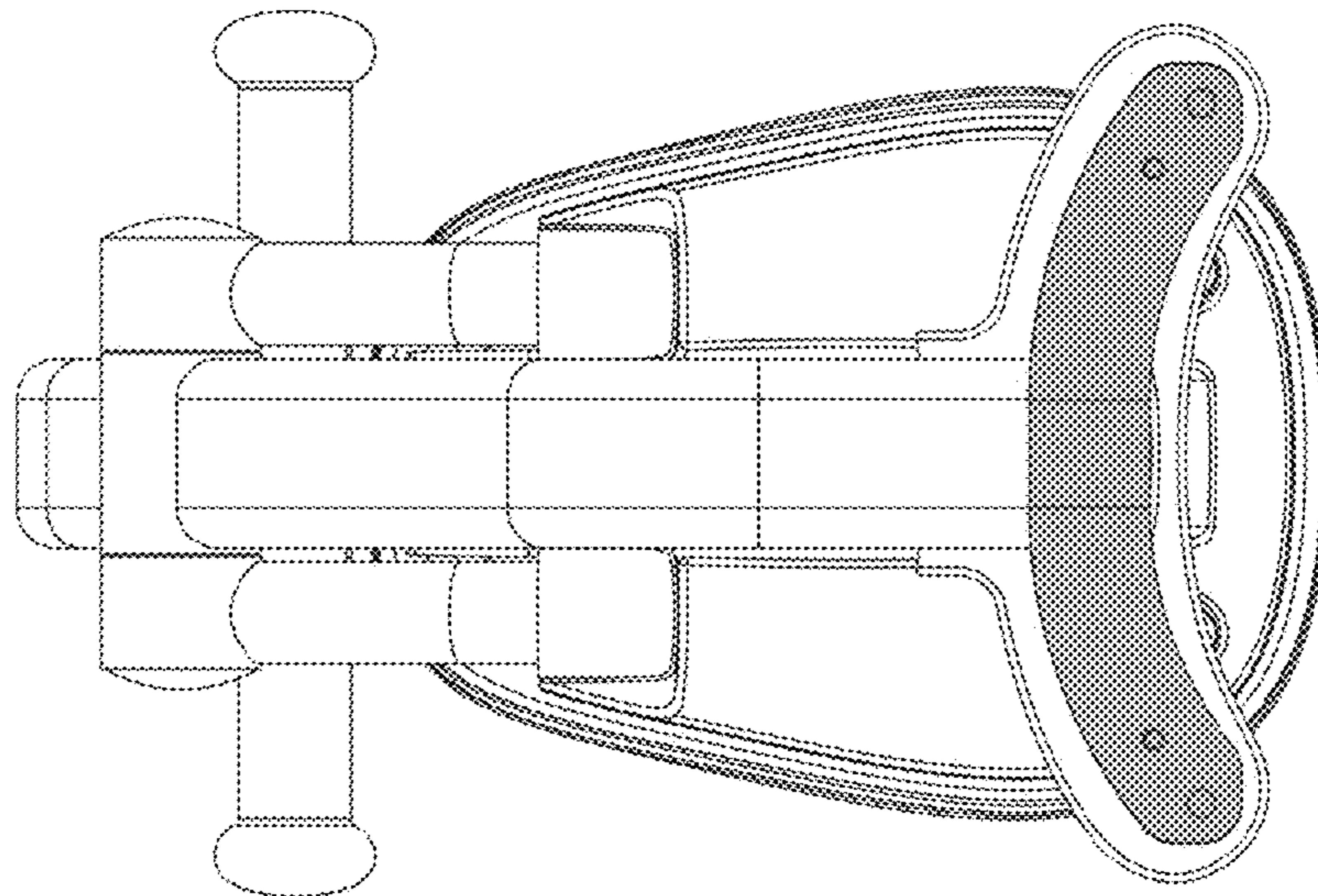
1.4
Right



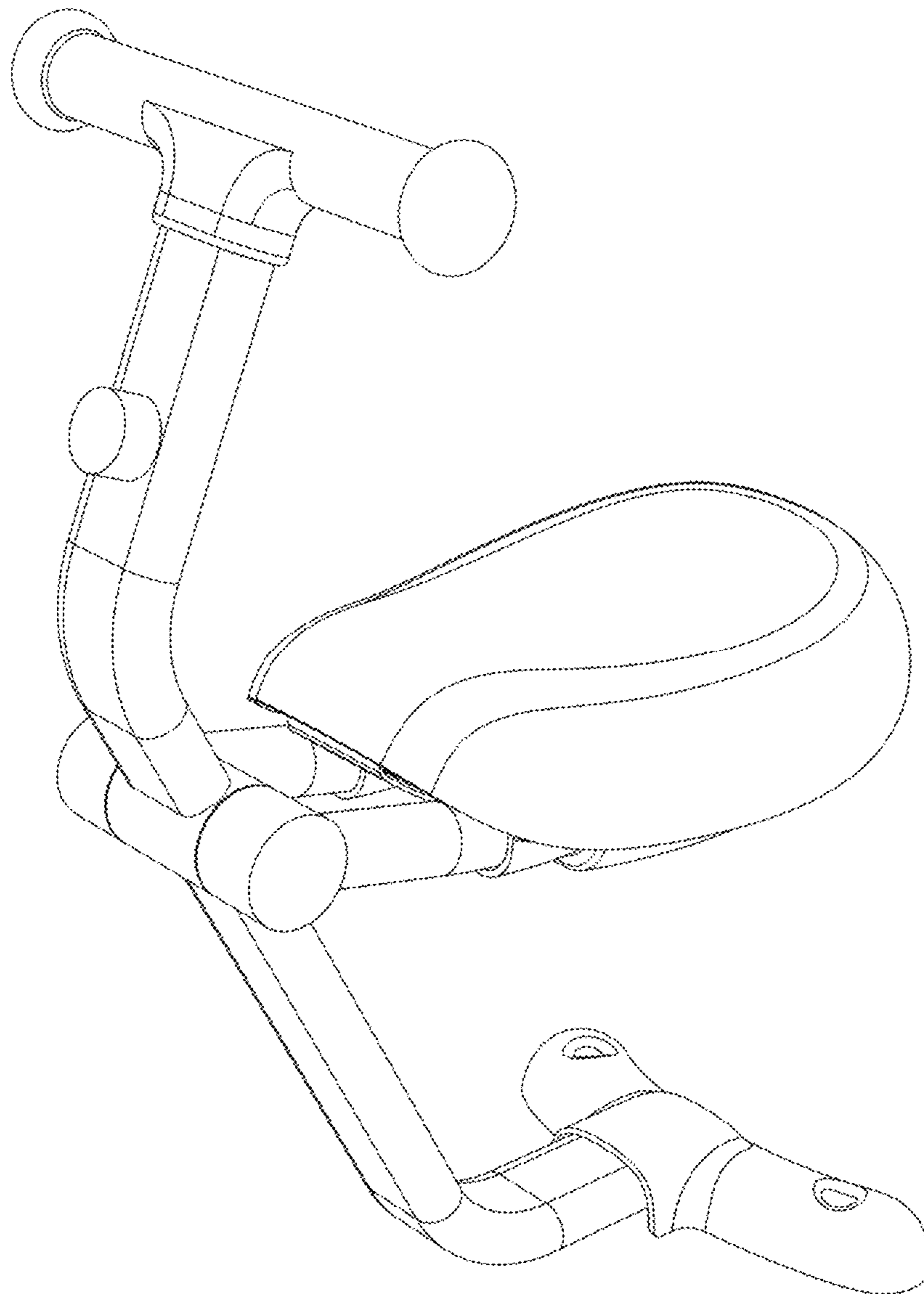
1.5
Top



1.6
Bottom



1.7
Perspective



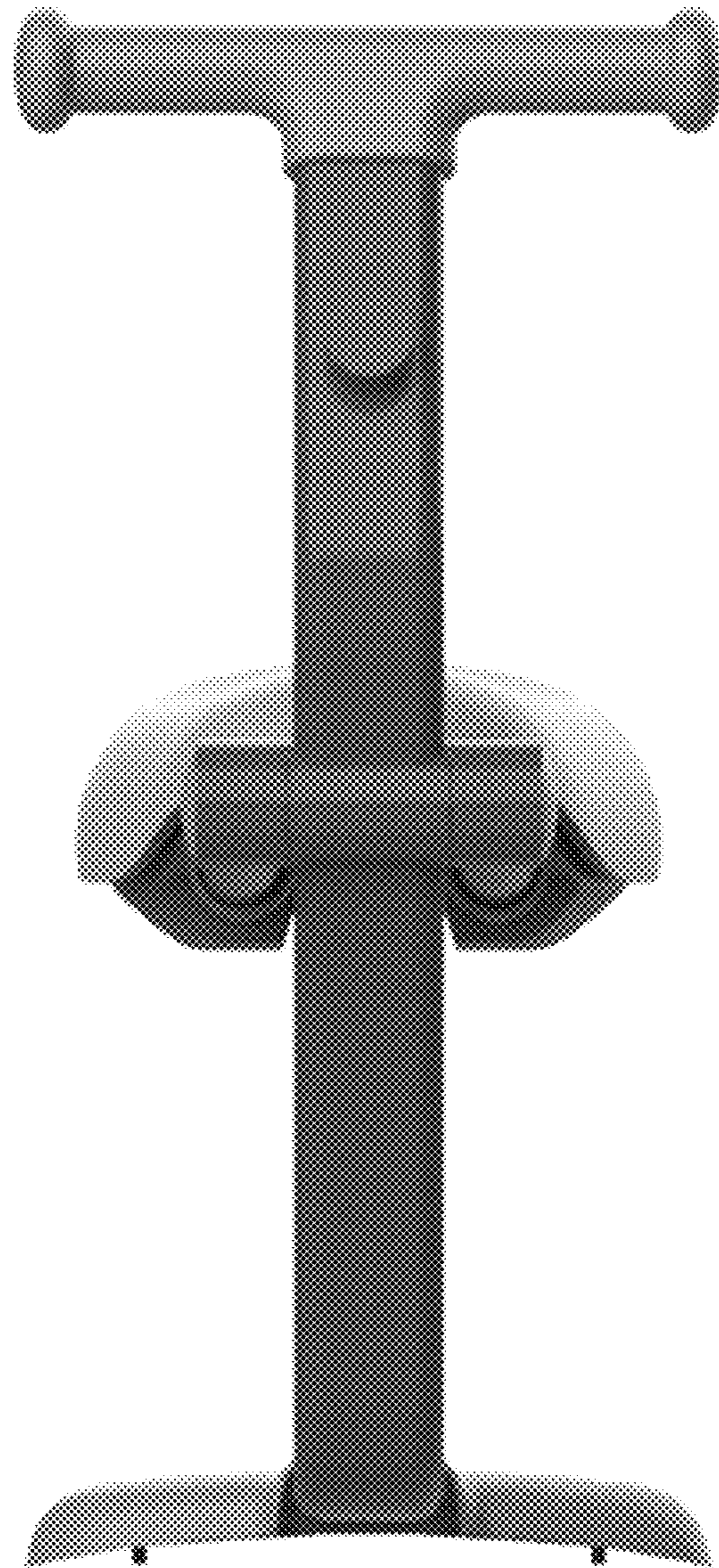
2.1
Front



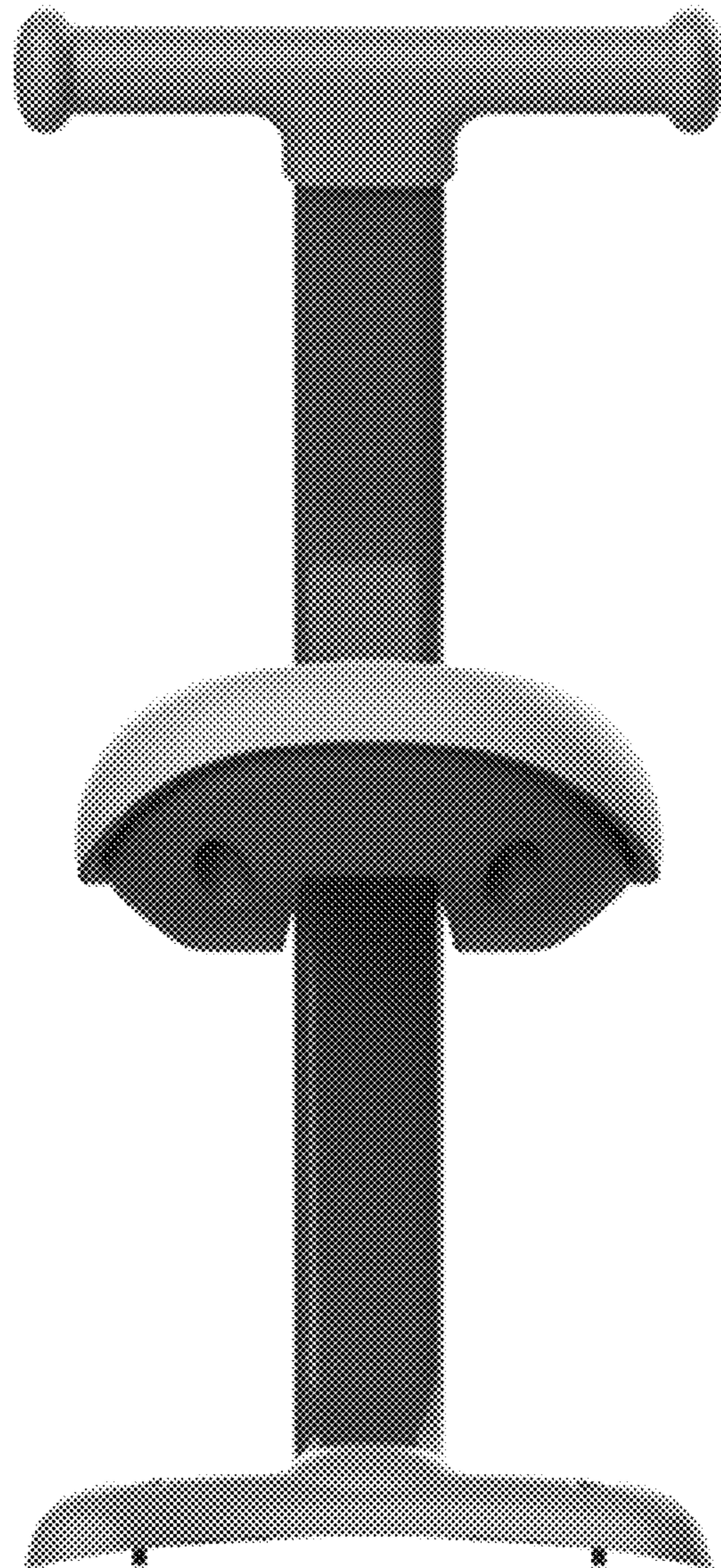
2.2
Back



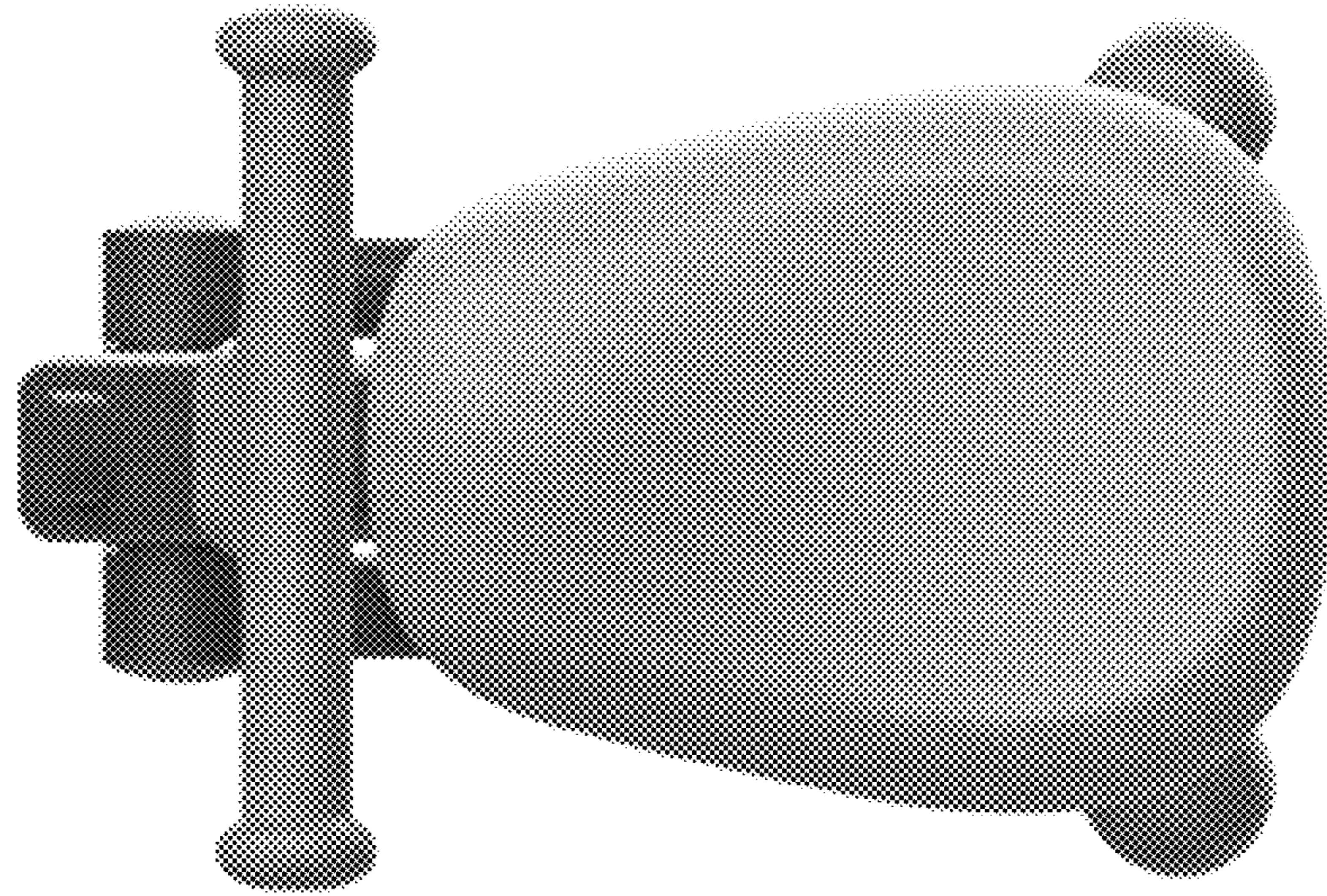
2.3
Left



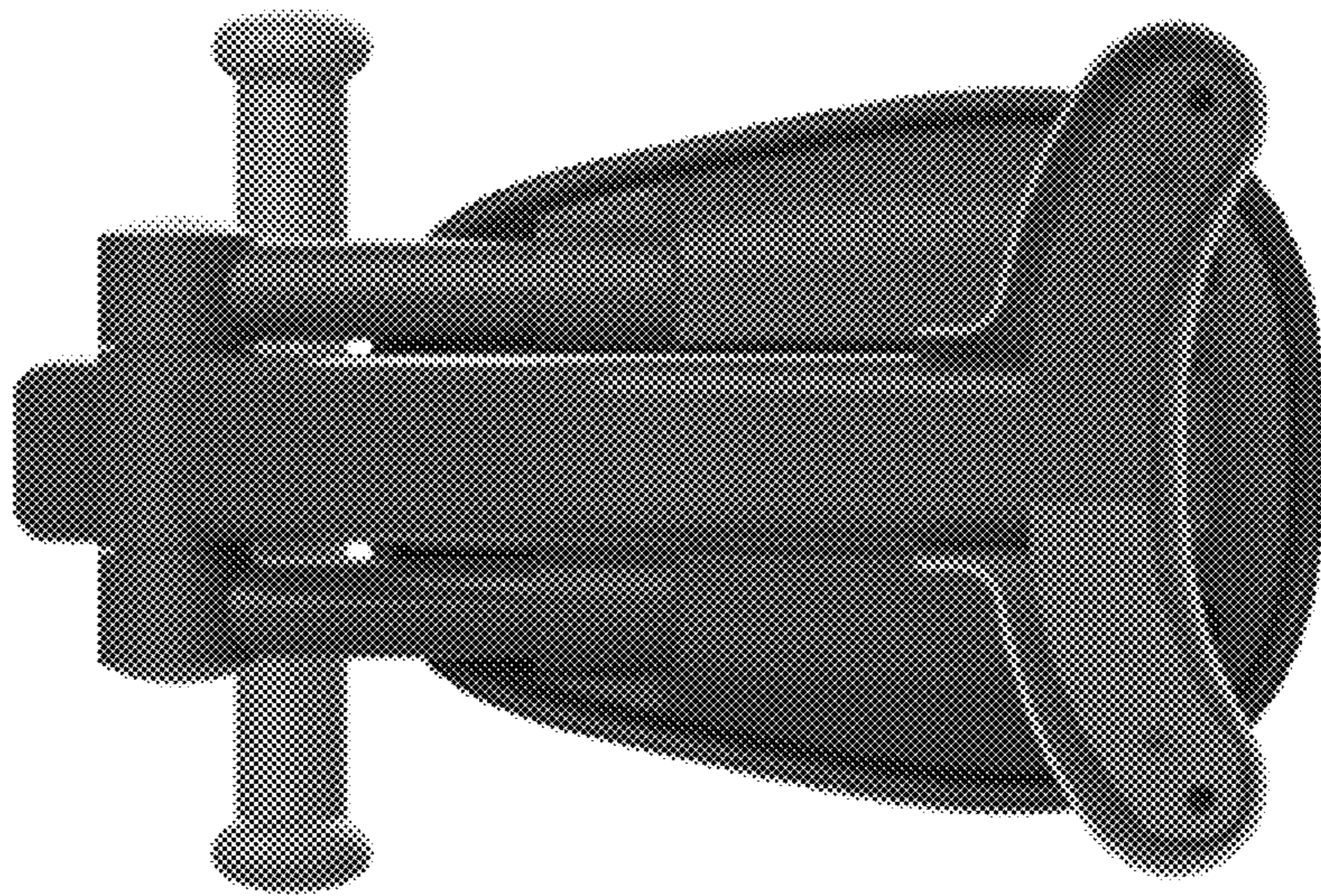
2.4
Right



2.5
Top



2.6
Bottom



2.7
Perspective

