



US00D984153S

(12) **United States Design Patent**
Yang

(10) **Patent No.:** **US D984,153 S**

(45) **Date of Patent:** **** Apr. 25, 2023**

- (54) **STEP STOOL FOR TOILET**
- (71) Applicant: **XIAMEN BABY PRETTY PRODUCTS CO., LTD.**, Xiamen (CN)
- (72) Inventor: **Jianbo Yang**, Xiamen (CN)
- (73) Assignee: **XIAMEN BABY PRETTY PRODUCTS CO., LTD.**, Xiamen (CN)

- D284,023 S * 5/1986 Lipski D23/296
- 4,635,303 A * 1/1987 Shih G09B 19/0076
4/235
- 4,777,672 A * 10/1988 Gebhard A47K 11/04
297/130
- D307,629 S * 5/1990 Takahashi D23/296
- D309,775 S * 8/1990 Kenny D6/372
- D310,869 S * 9/1990 Sedlack D6/372
- 5,797,148 A * 8/1998 Kivela A47K 17/026
4/235

(Continued)

- (**) Term: **15 Years**
- (21) Appl. No.: **29/794,691**

(22) Filed: **Jun. 15, 2021**

(30) **Foreign Application Priority Data**

Dec. 15, 2020 (CN) 202030773488.8

(51) **LOC (14) Cl.** **06-01**

(52) **U.S. Cl.**
USPC **D6/350**; D23/296

(58) **Field of Classification Search**
USPC D6/349, 350, 351.353, 355, 333, 334,
D6/335, 336-338, 684, 687, 691.9, 709.2,
D6/368, 716; D21/826; D25/64, 65;
D23/296, 309

CPC A47C 9/00; A47C 16/02; A47C 12/00;
A47K 13/06; A47K 11/04

See application file for complete search history.

(56) **References Cited**

U.S. PATENT DOCUMENTS

- 1,297,177 A * 3/1919 Johnson 4/239
- 1,737,163 A * 11/1929 Keppinger A47K 13/06
4/239
- 4,205,404 A * 6/1980 Levins A47K 11/04
4/449
- 4,258,827 A * 3/1981 Klose E06C 1/393
297/130
- 4,534,072 A * 8/1985 Lipski A47K 13/06
4/235

OTHER PUBLICATIONS

GLAF Toddler Potty Training Seat with Ladder, available in Amazon.com, customer review oldest date: Sep. 21, 2021 [online], Retrieved on Jul. 18, 2022 from URL: <https://www.amazon.com/GLAF-Training-Adjustable-Comfortable-Anti-Slip/dp/B091DZPG7G> (Year: 2021).*

Primary Examiner — Vy N Koenig

Assistant Examiner — Michelle M Reeves

(74) *Attorney, Agent, or Firm* — Bayramoglu Law Offices LLC

(57) **CLAIM**

The ornamental design for a step stool for toilet, as shown and described.

DESCRIPTION

FIG. 1 is a perspective view of a step stool for toilet showing my new design;

FIG. 2 is a left view thereof, a right side view being a mirror image of the left side view;

FIG. 3 is a front view thereof;

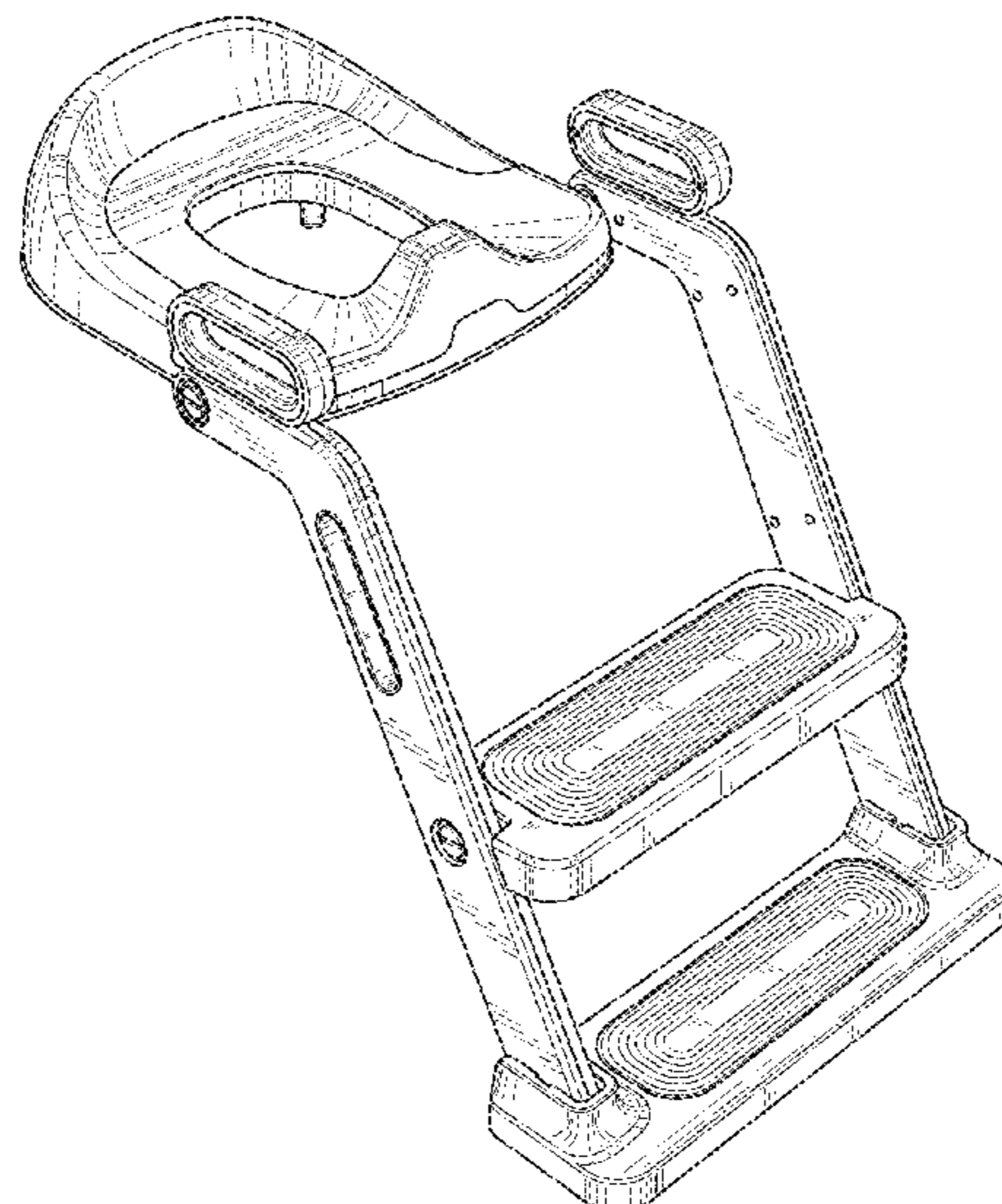
FIG. 4 is a rear view thereof;

FIG. 5 is a top view thereof; and,

FIG. 6 is a bottom view thereof.

The broken lines shown in the drawings depict portions of the step stool for toilet that form no part of the claimed design.

1 Claim, 6 Drawing Sheets



(56)

References Cited

U.S. PATENT DOCUMENTS

D570,461 S * 6/2008 Desnos-Simon D23/296
D618,321 S * 6/2010 Yeung D23/296
D723,715 S * 3/2015 Lafontaine D25/64
D879,926 S * 3/2020 Hu D23/309
2021/0353115 A1* 11/2021 Yang A47C 12/00

* cited by examiner

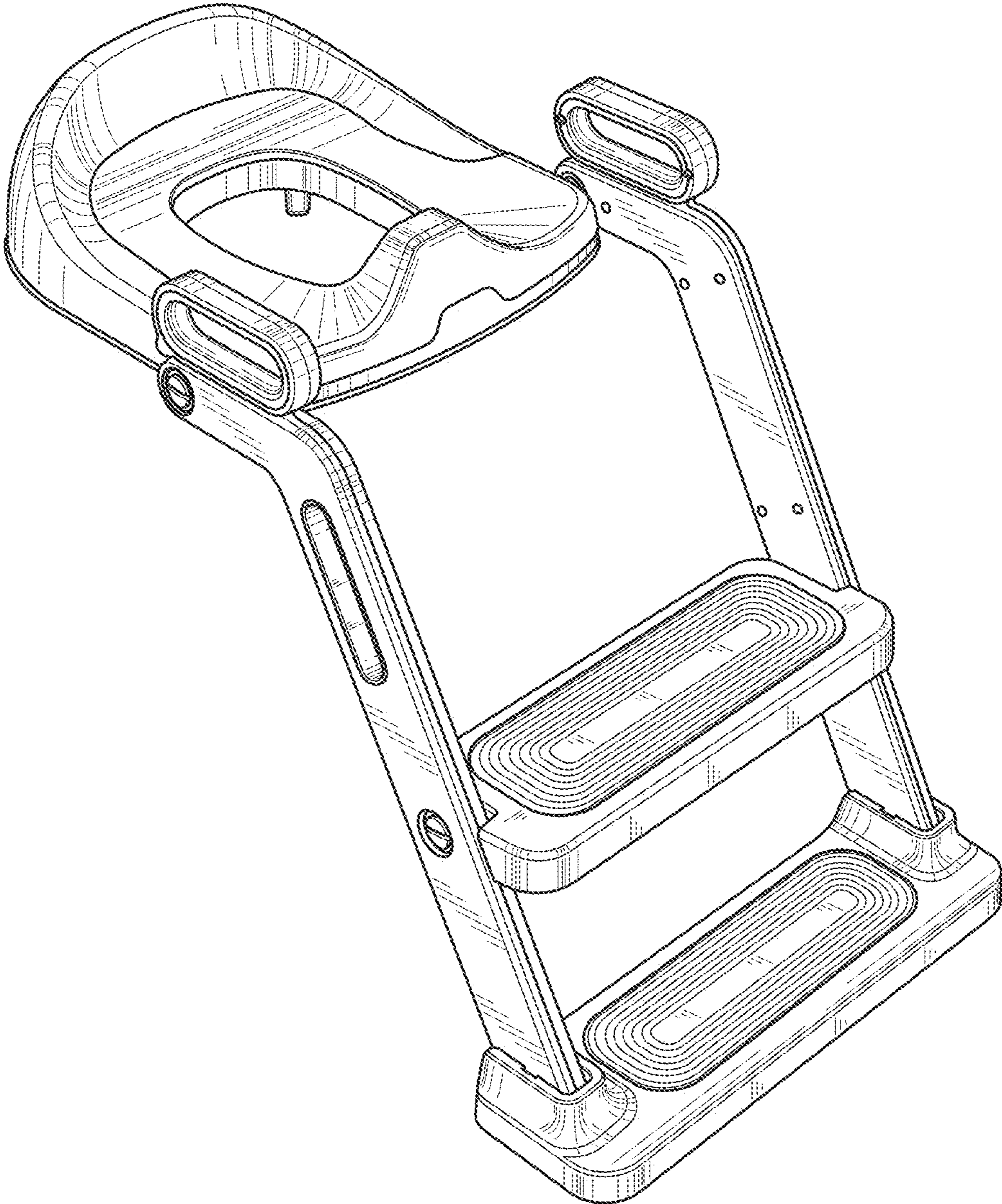


Fig. 1

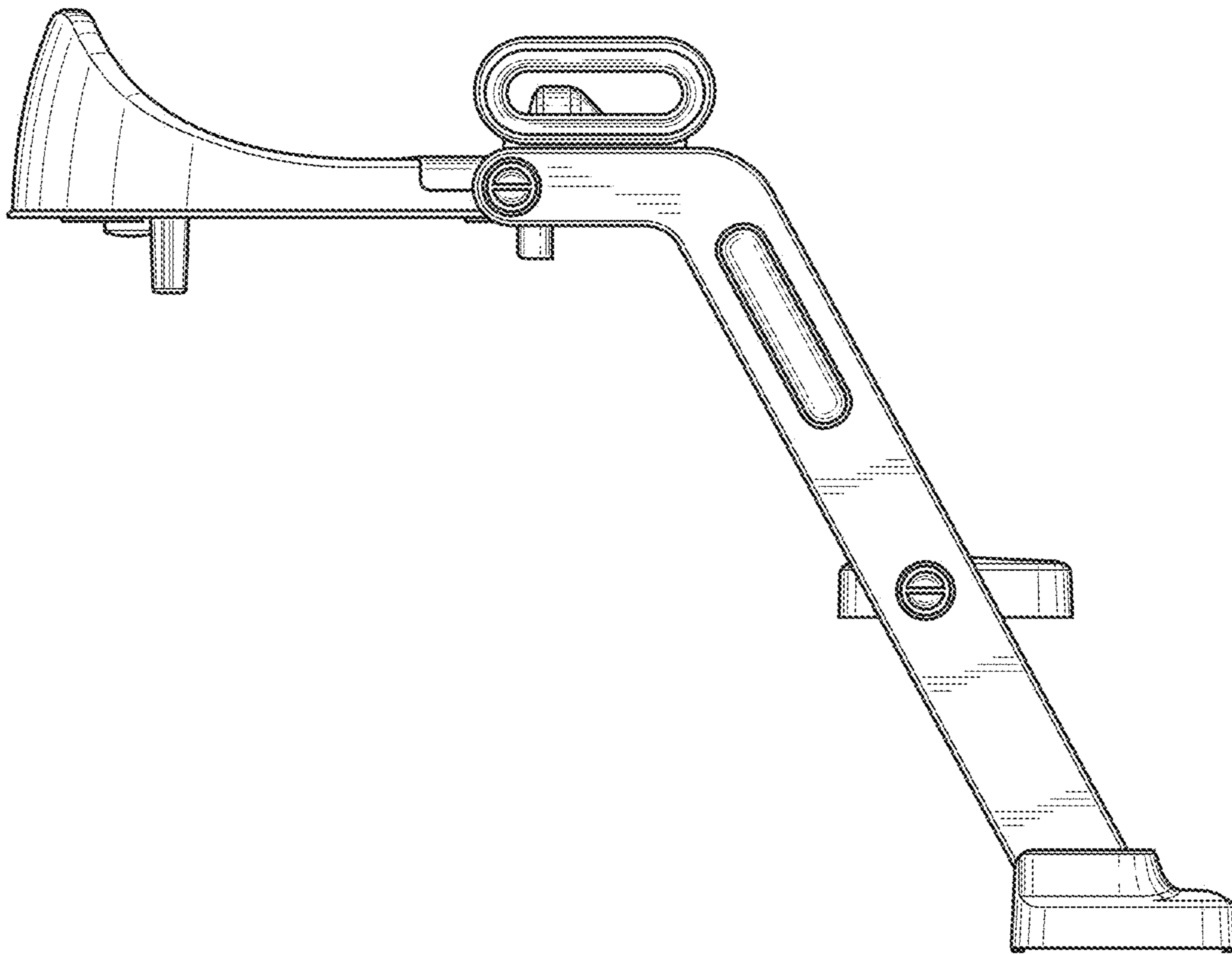


Fig. 2

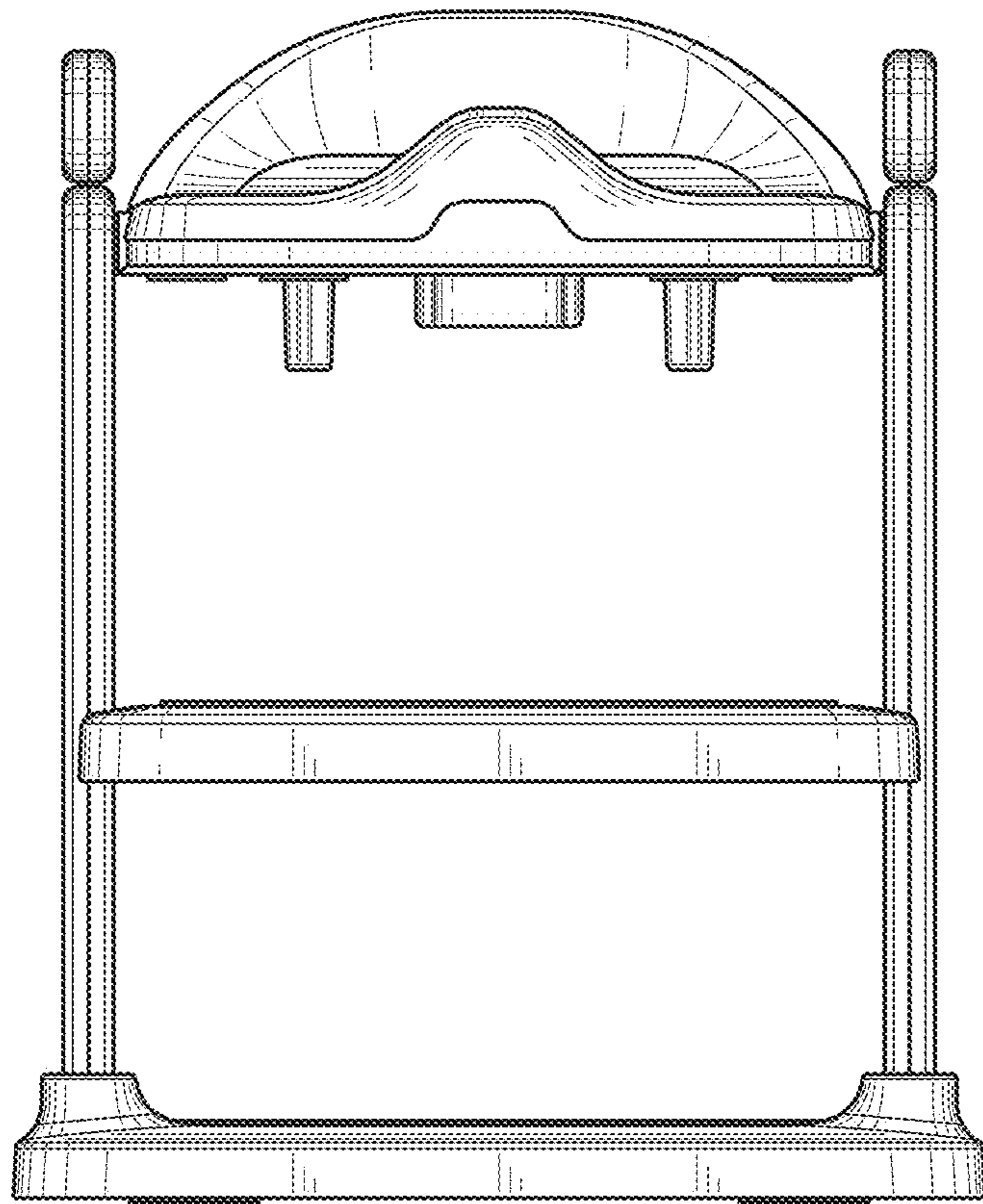


Fig. 3

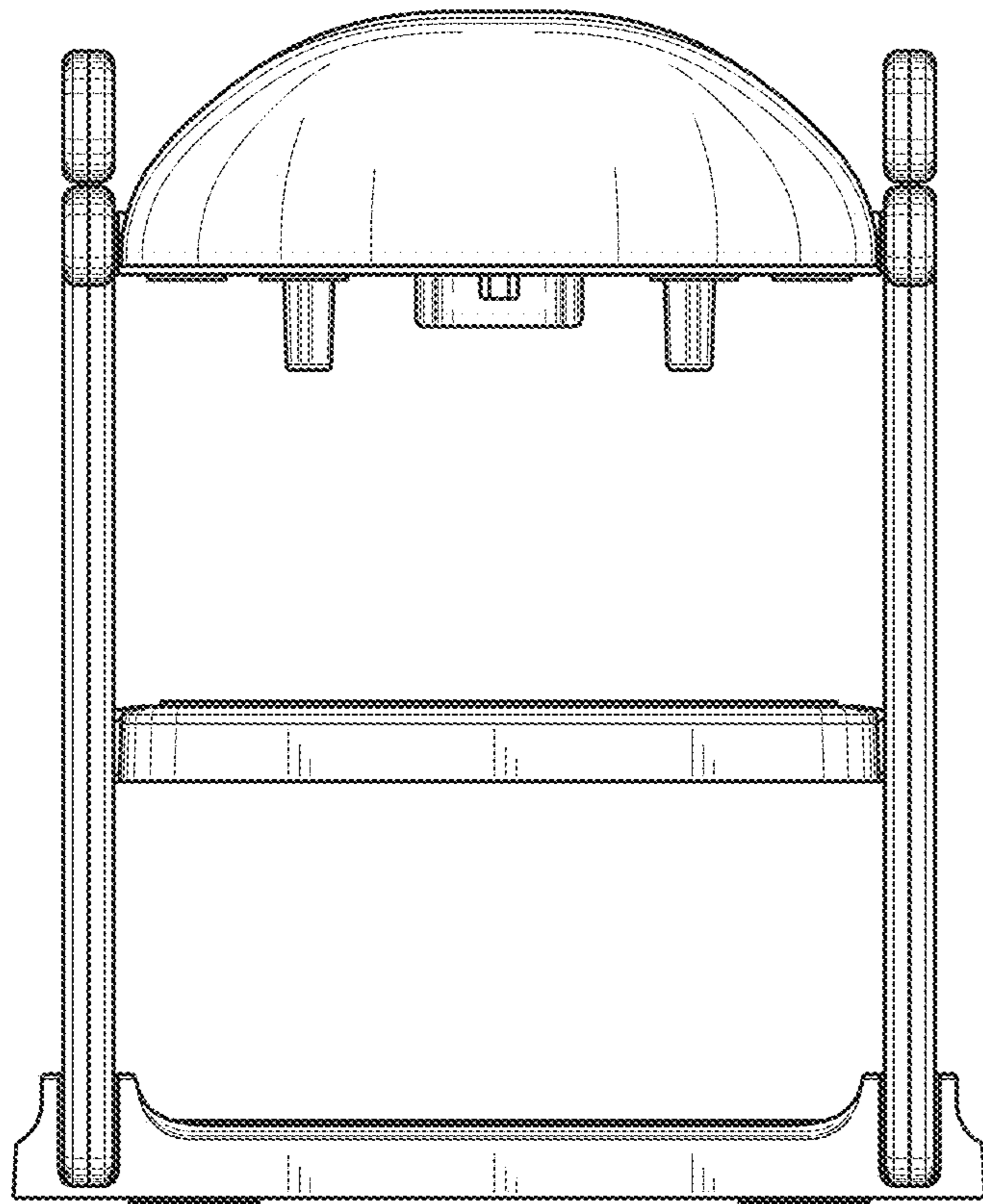


Fig. 4

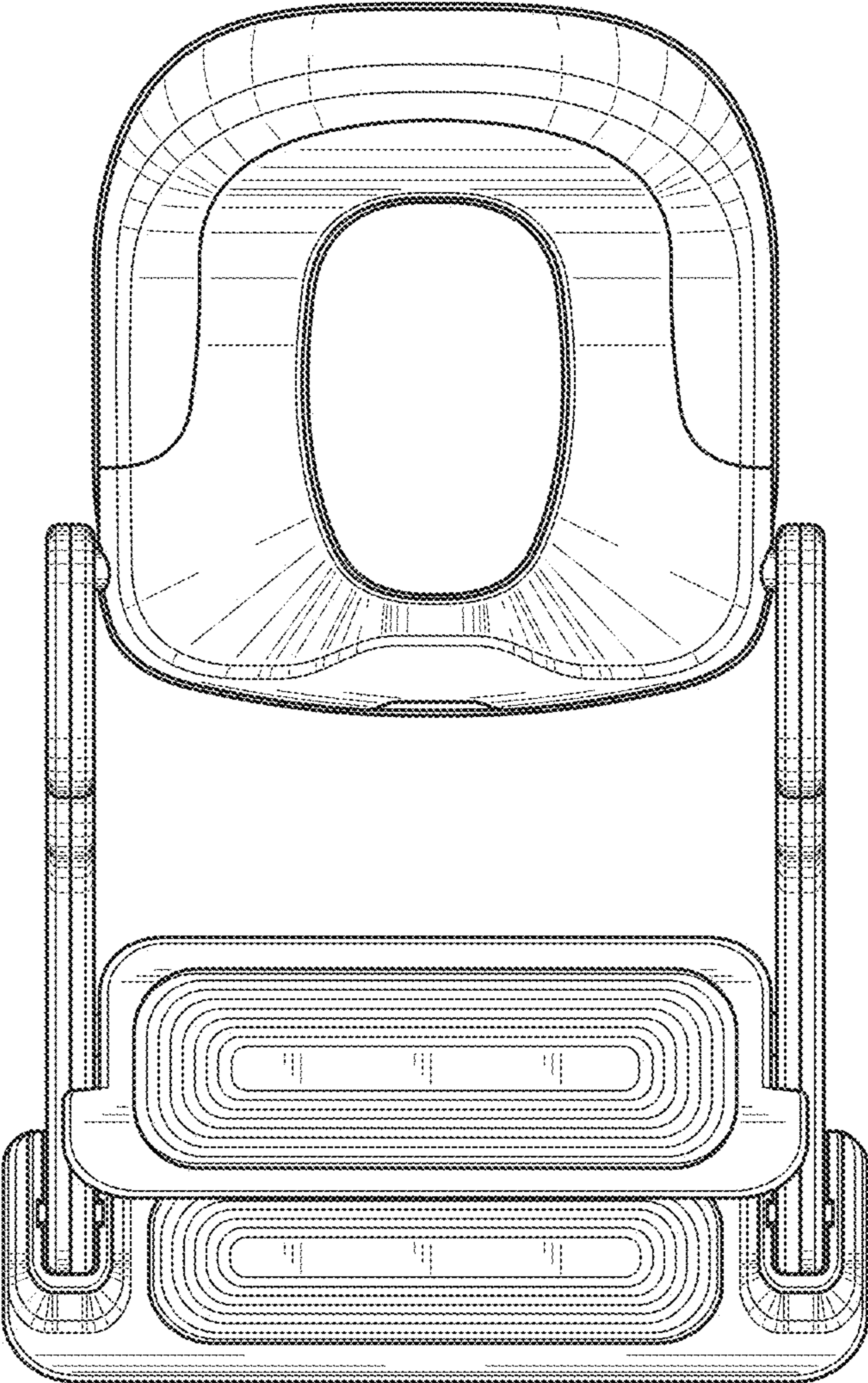


Fig. 5

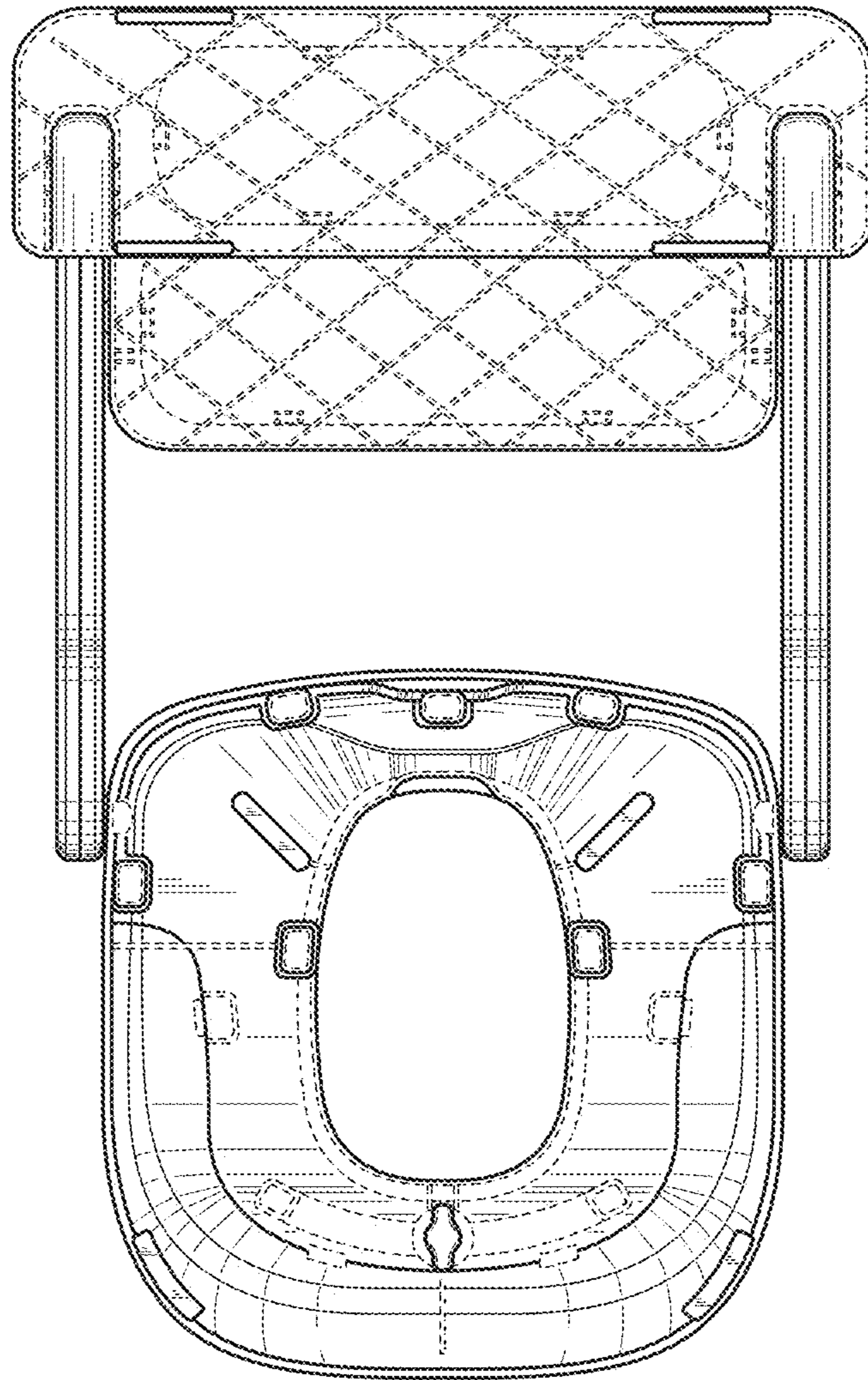


Fig. 6