



US00D984152S

(12) **United States Design Patent** (10) **Patent No.:** **US D984,152 S**  
**Yang** (45) **Date of Patent:** **\*\* Apr. 25, 2023**

(54) **BABY STEP STOOL**

FOREIGN PATENT DOCUMENTS

(71) Applicant: **XIAMEN BABY PRETTY PRODUCTS CO., LTD.**, Xiamen (CN)

CN 210520543 U \* 5/2020  
CN 305815497 \* 6/2020  
CN 211408297 U \* 9/2020  
CN 216135504 U \* 3/2022

(72) Inventor: **Jianbo Yang**, Xiamen (CN)

(73) Assignee: **XIAMEN BABY PRETTY PRODUCTS CO., LTD.**, Xiamen (CN)

OTHER PUBLICATIONS

(\*\*) Term: **15 Years**

Straame Double Step Stool, available in amazon.co.uk, date first available Nov. 29, 2021 [online], Retrieved on Jul. 13, 2022 from URL: <https://www.amazon.co.uk/dp/B09MR1LFGX/> (Year: 2021).\*

(21) Appl. No.: **29/783,010**

\* cited by examiner

(22) Filed: **May 11, 2021**

(51) **LOC (14) Cl.** ..... **06-01**

*Primary Examiner* — Vy N Koenig

(52) **U.S. Cl.**  
USPC ..... **D6/350; D25/65**

*Assistant Examiner* — Michelle M Reeves

(58) **Field of Classification Search**  
USPC ..... D6/349, 350, 351, 353, 355, 333, 334,  
D6/335, 336–338, 684, 687, 691.9, 709.2;  
D21/826; D25/65

(74) *Attorney, Agent, or Firm* — Bayramoglu Law Offices LLC

CPC ..... A47C 9/00; A47C 16/02  
See application file for complete search history.

(57) **CLAIM**

The ornamental design for a baby step stool, as shown and described.

(56) **References Cited**

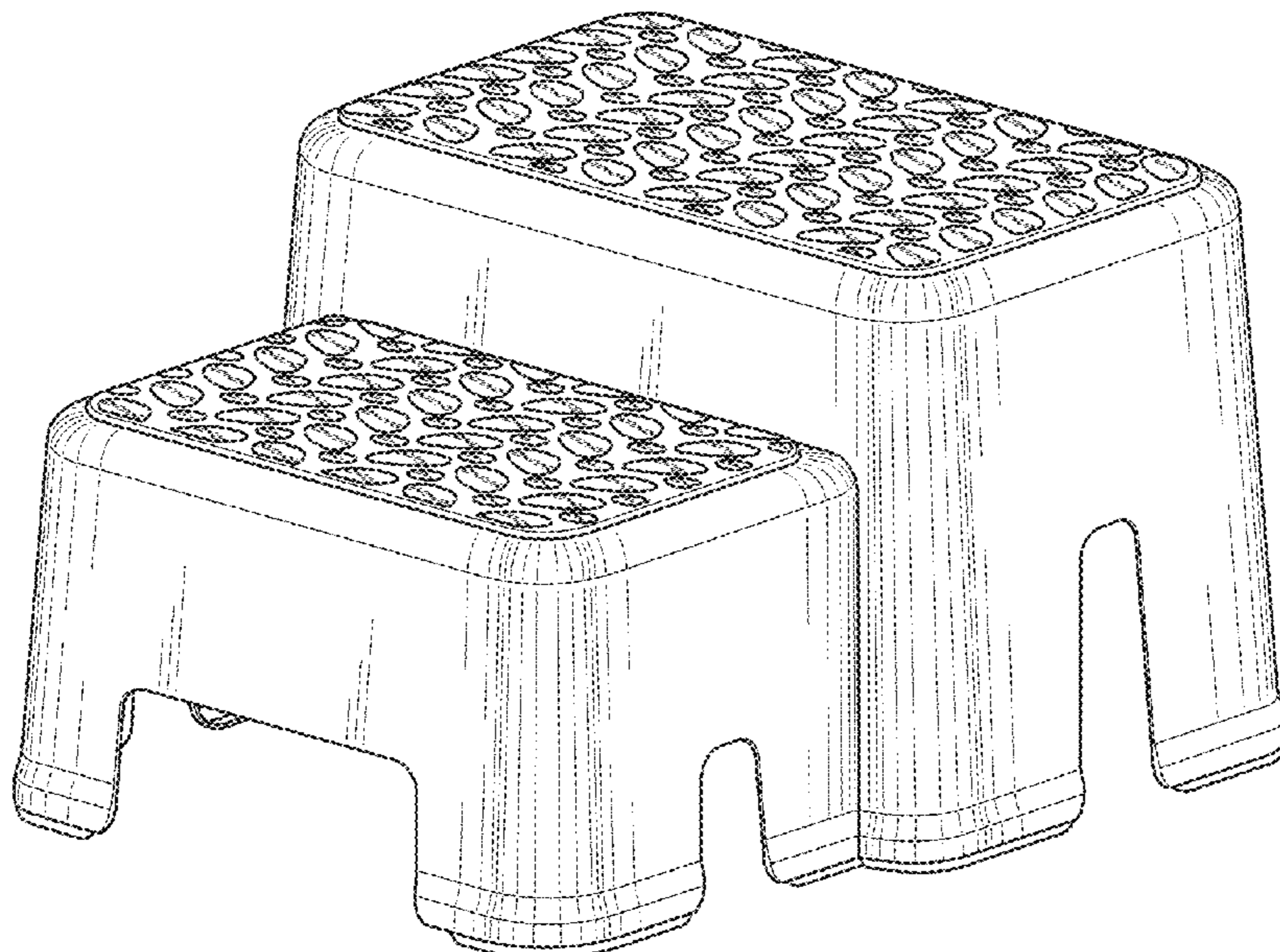
**DESCRIPTION**

U.S. PATENT DOCUMENTS

5,094,505 A \* 3/1992 Nichols ..... A47C 12/02  
297/118  
D330,462 S \* 10/1992 Szablak ..... D6/350  
D337,211 S \* 7/1993 Bergkvist ..... D6/349  
D354,210 S \* 1/1995 Dickinson ..... D6/350  
D429,038 S \* 8/2000 Forester ..... D30/119  
D507,662 S \* 7/2005 St-Hilaire ..... D25/63  
D789,107 S \* 6/2017 Thibault ..... D6/350  
D865,386 S \* 11/2019 Sphikas ..... D6/350  
D946,941 S \* 3/2022 Greenwood ..... D6/675.3  
D955,124 S \* 6/2022 Xu ..... D6/350  
2013/0192925 A1 \* 8/2013 Chitayat ..... A47C 12/00  
182/152  
2021/0169228 A1 \* 6/2021 Yang ..... A47C 12/00

FIG. 1 is a perspective view of a baby step stool showing my new design;  
FIG. 2 is a front view thereof;  
FIG. 3 is a rear view thereof;  
FIG. 4 is a right side view thereof, a left side view being a mirror image of the right side view;  
FIG. 5 is a top view thereof; and,  
FIG. 6 is a bottom view thereof.  
The broken lines shown in the drawings depict portions of the baby step stool that form no part of the claimed design.

**1 Claim, 6 Drawing Sheets**



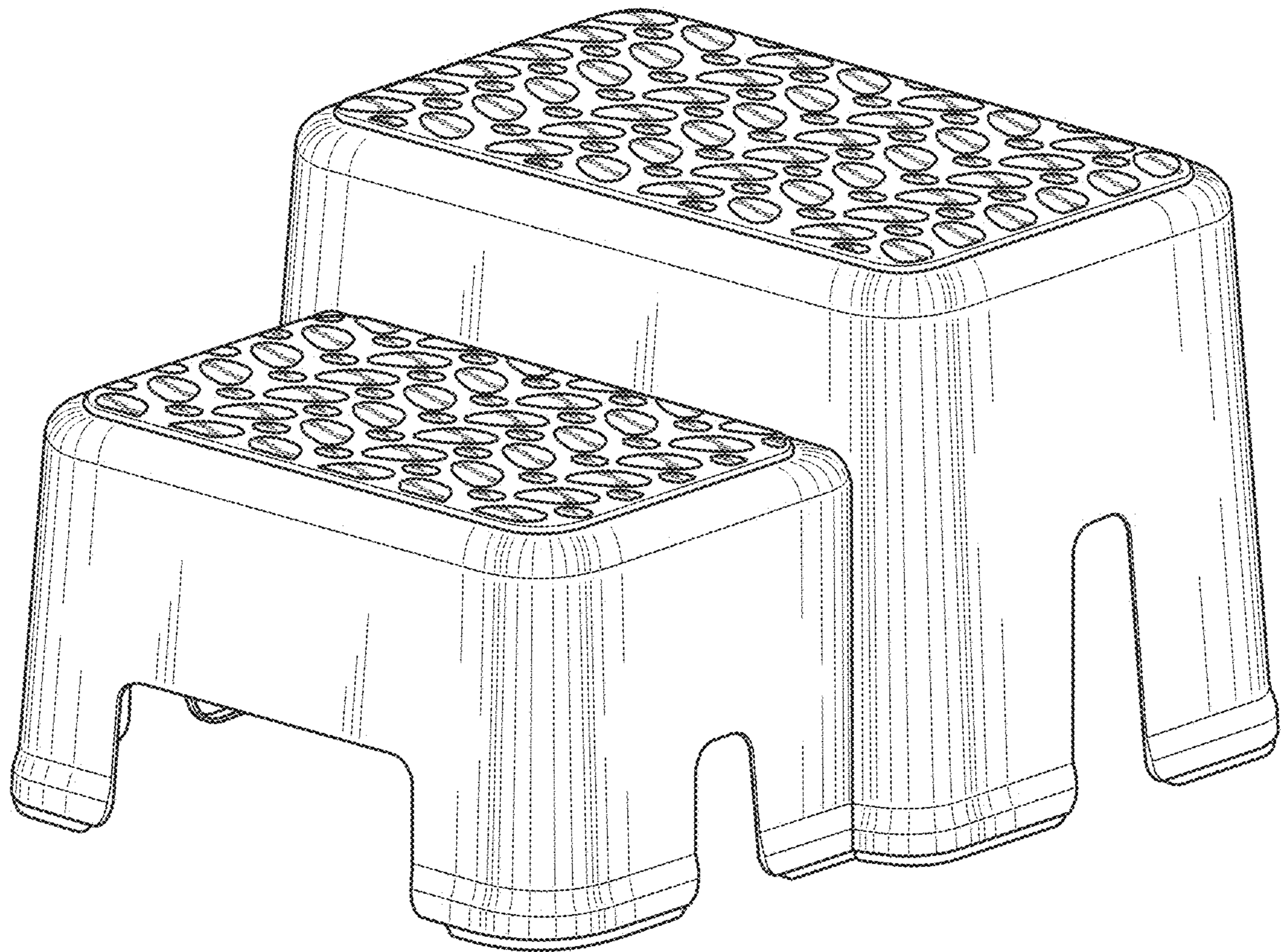


Fig. 1

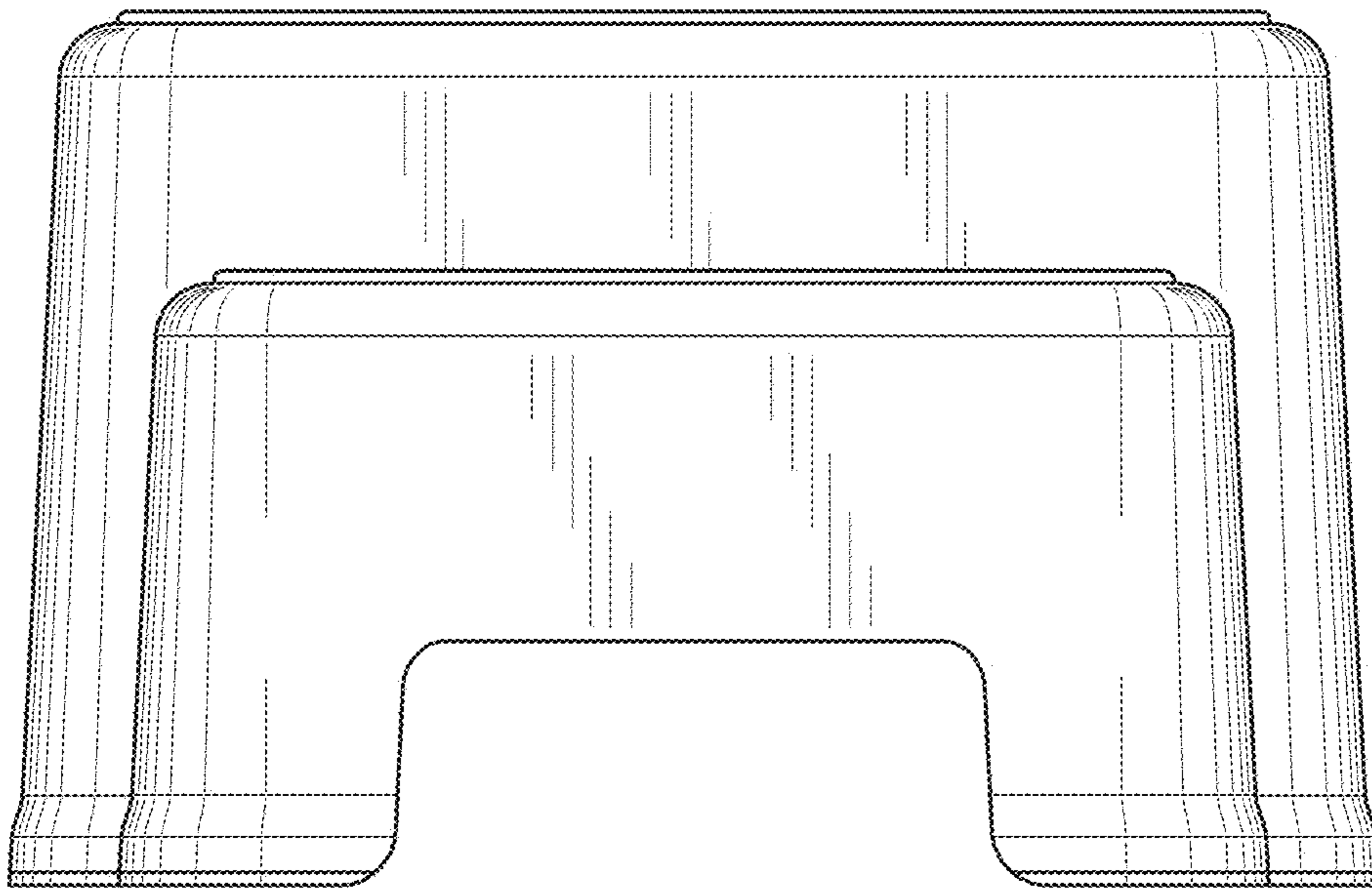


Fig. 2

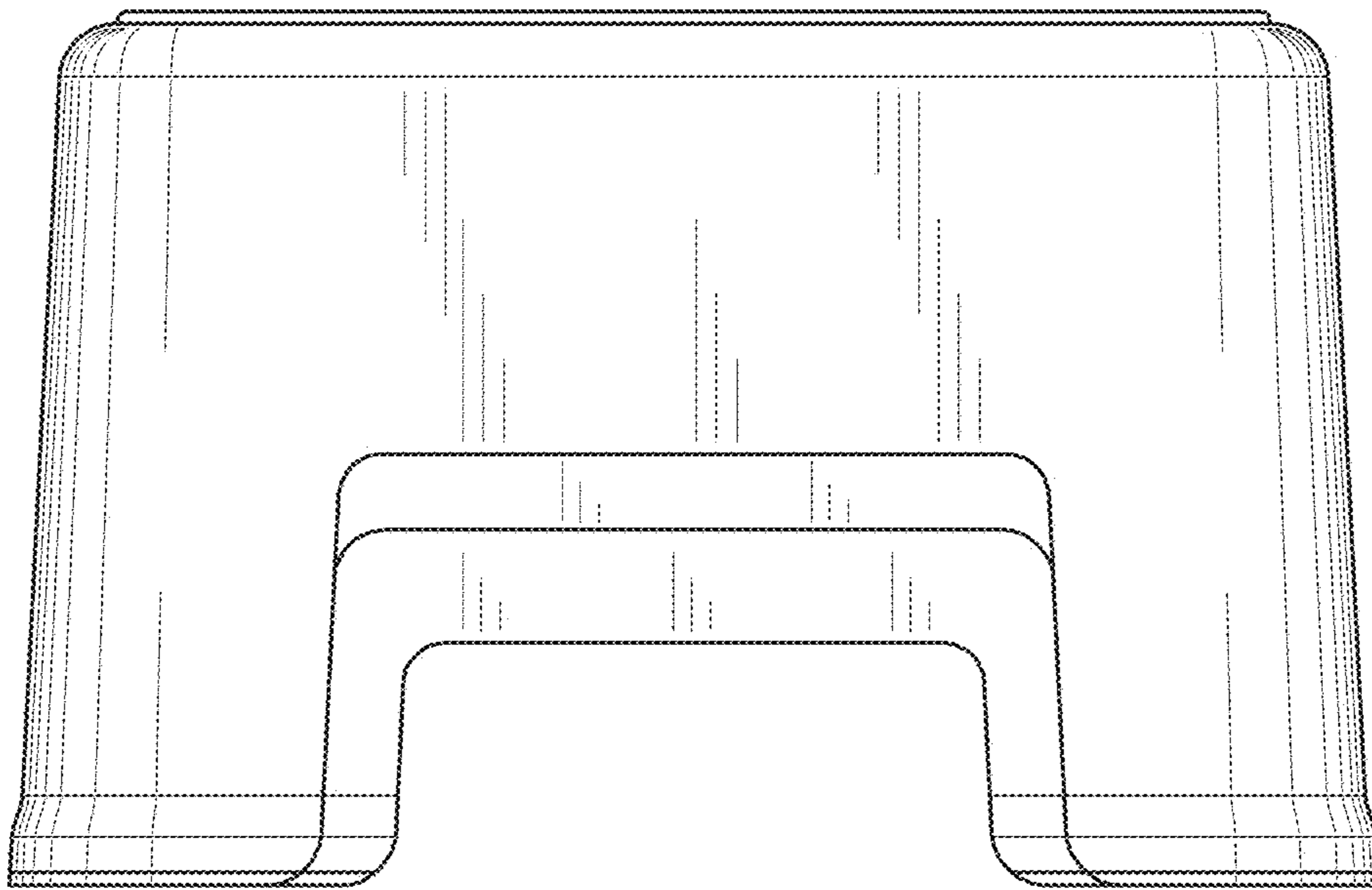


Fig. 3

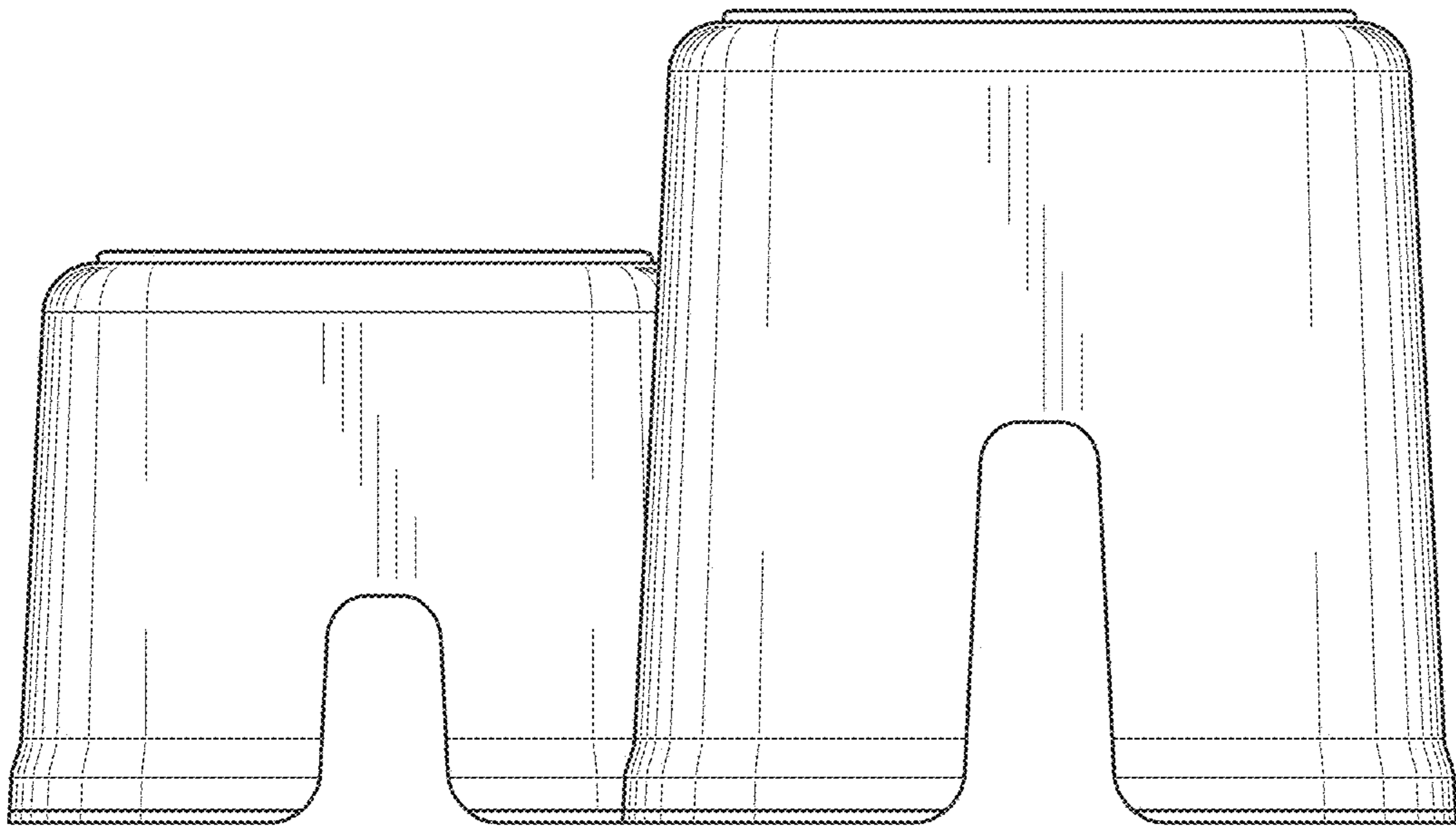


Fig. 4

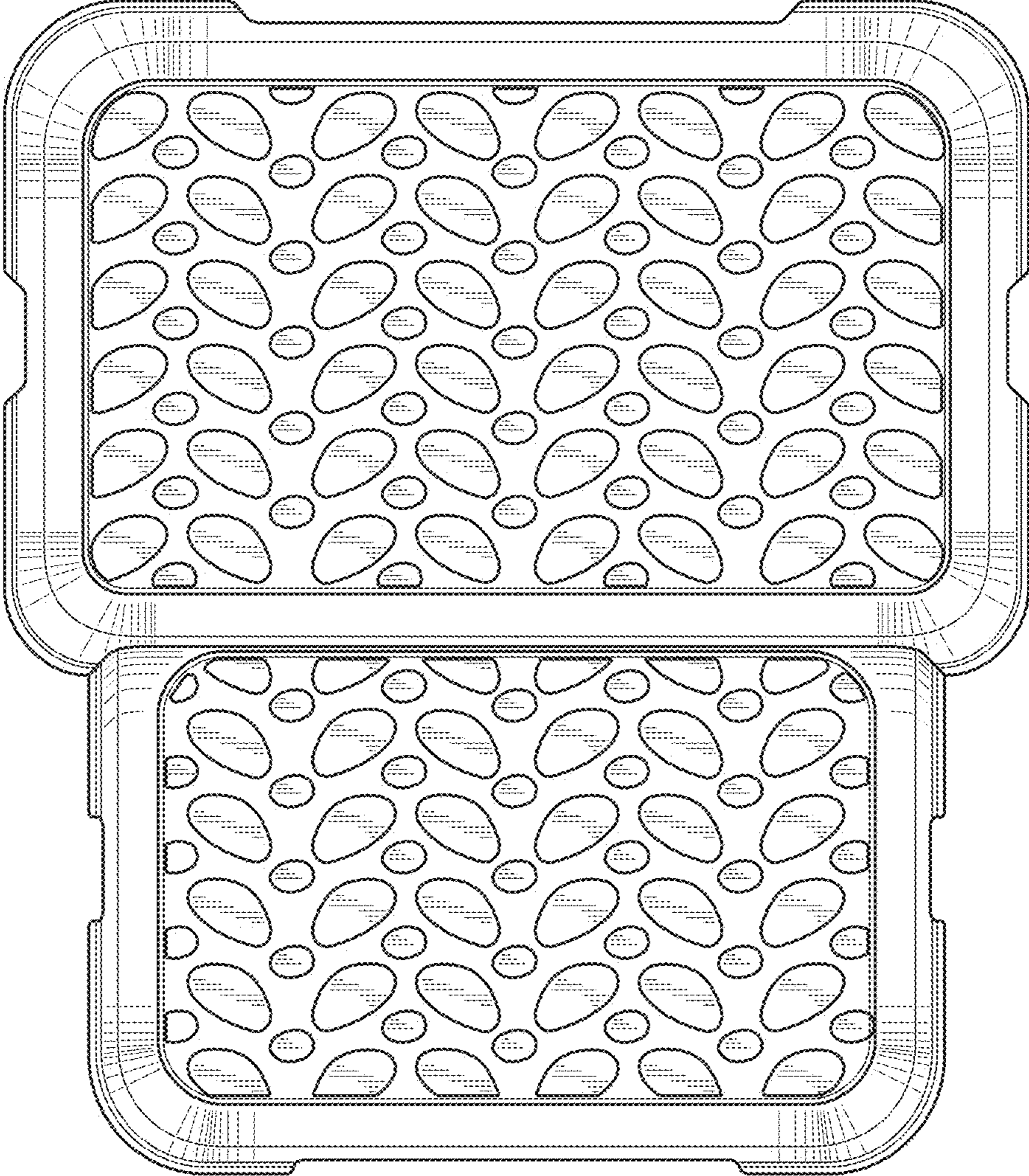


Fig. 5

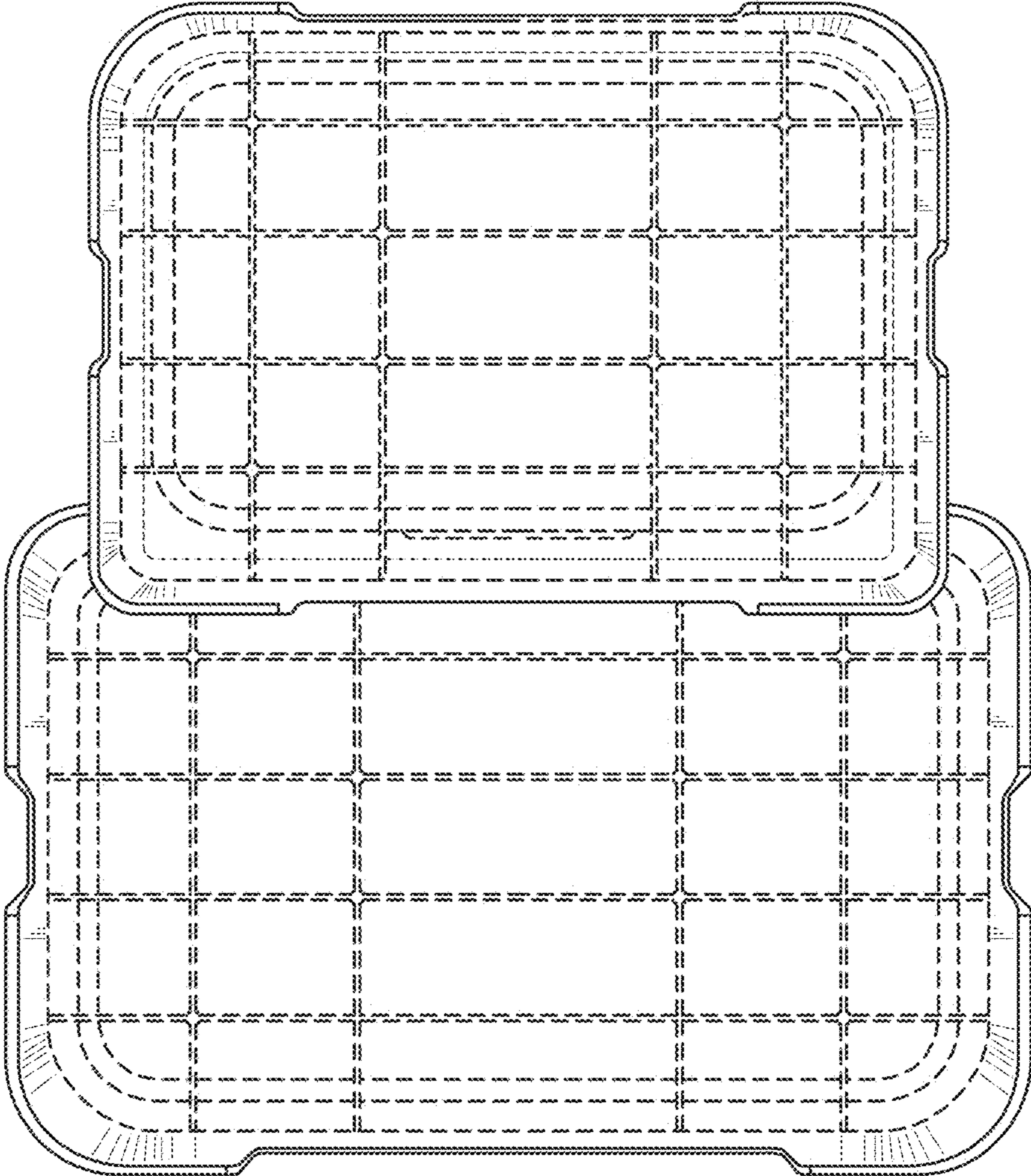


Fig. 6