



US00D984150S

(12) **United States Design Patent** (10) **Patent No.:** **US D984,150 S**
Xu (45) **Date of Patent:** **** Apr. 25, 2023**

(54) **ROCKING CHAIR**

FOREIGN PATENT DOCUMENTS

(71) Applicant: **Aojie Xu**, Jiaxing (CN)

CN 306345311 * 2/2021
CN 306726074 * 8/2021

(72) Inventor: **Aojie Xu**, Jiaxing (CN)

(**) Term: **15 Years**

(21) Appl. No.: **29/861,883**

(22) Filed: **Dec. 5, 2022**

(51) **LOC (14) Cl.** **06-01**

(52) **U.S. Cl.**
USPC **D6/348**

(58) **Field of Classification Search**
USPC D6/333, 334, 341, 344, 345, 347, 348,
D6/367, 371, 373, 374, 375

CPC A47C 1/46; A47C 4/03; A47C 4/04; A47C
4/18; A47C 5/04; A47C 5/10; A47C 7/40

See application file for complete search history.

(56) **References Cited**

U.S. PATENT DOCUMENTS

D549,477 S * 8/2007 Bryant D6/369
D581,684 S 12/2008 Alhadad
D646,496 S * 10/2011 Fukasawa D6/375
D677,918 S * 3/2013 Citterio D6/366
D680,339 S * 4/2013 Asner D6/348
D681,355 S 5/2013 Fernandes
D703,961 S 5/2014 Woodring
D720,146 S * 12/2014 Fukasawa D6/375
D736,526 S * 8/2015 Thuma D6/336
D739,152 S * 9/2015 Adams D6/348
D825,212 S * 8/2018 Haingaertner D6/348
D863,795 S 10/2019 Foersom
D863,803 S * 10/2019 Lipparini D6/367
D863,808 S * 10/2019 Bellini D6/375
D871,787 S 1/2020 Lv
D900,491 S * 11/2020 Chang D6/345
D920,689 S 6/2021 Solano
D933,381 S 10/2021 Yan
D935,206 S 11/2021 Zhao
D946,295 S * 3/2022 Park D6/366
D962,661 S 9/2022 Xiao
D964,760 S * 9/2022 Guo D6/348

OTHER PUBLICATIONS

Keainvren Rocking Chair, posted at amazon.com, posting date Jul. 18, 2022, retrieved Jan. 25, 2023, online, URL: https://www.amazon.com/Nursery-Rocking-Upholstered-Comfort-Armchair/dp/B0B6VM689J/ref=sr_1_294?crd=30SZU1PF0GQKV&keywords=moder... (Year: 2022).*

HEAH-YO Rocking Chair, posted at amazon.com, posting date Apr. 2, 2022, retrieved Jan. 26, 2023, online, URL: https://www.amazon.com/HEAH-YO-Nursery-Rocking-Armrest-Upholstered/dp/B09X32LM8D/ref=sr_1_66?crd=2K6VPIF7R07DA&keywords=moder... (Year: 2022).*

* cited by examiner

Primary Examiner — Mary Shannon Malley

Assistant Examiner — Michelle Marquart Christeon

(74) *Attorney, Agent, or Firm* — Rumit Ranjit Kanakia

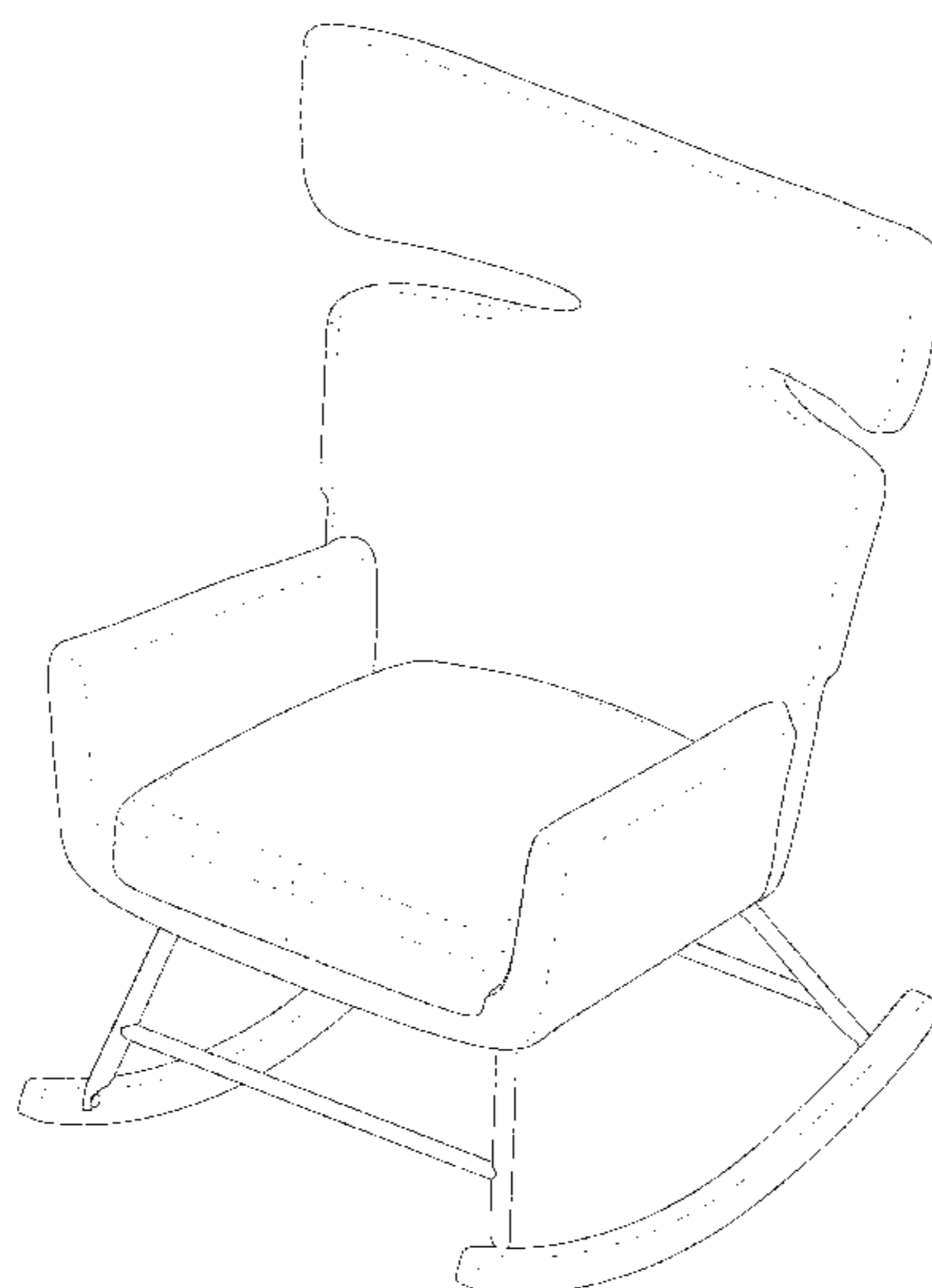
(57) **CLAIM**

The ornamental design for a rocking chair, as shown and described.

DESCRIPTION

FIG. 1 is a front perspective view of a rocking chair, showing my new design;
FIG. 2 is rear perspective view thereof;
FIG. 3 is a front elevational view thereof;
FIG. 4 is a rear elevational view thereof;
FIG. 5 is a left side view thereof, the right side view being a mirror image of FIG. 5;
FIG. 6 is a top plan view thereof; and,
FIG. 7 is a bottom plan view thereof.
The broken lines in the figures are for the purposes of illustrating portions of the rocking chair, which form no part of the claimed design.

1 Claim, 7 Drawing Sheets



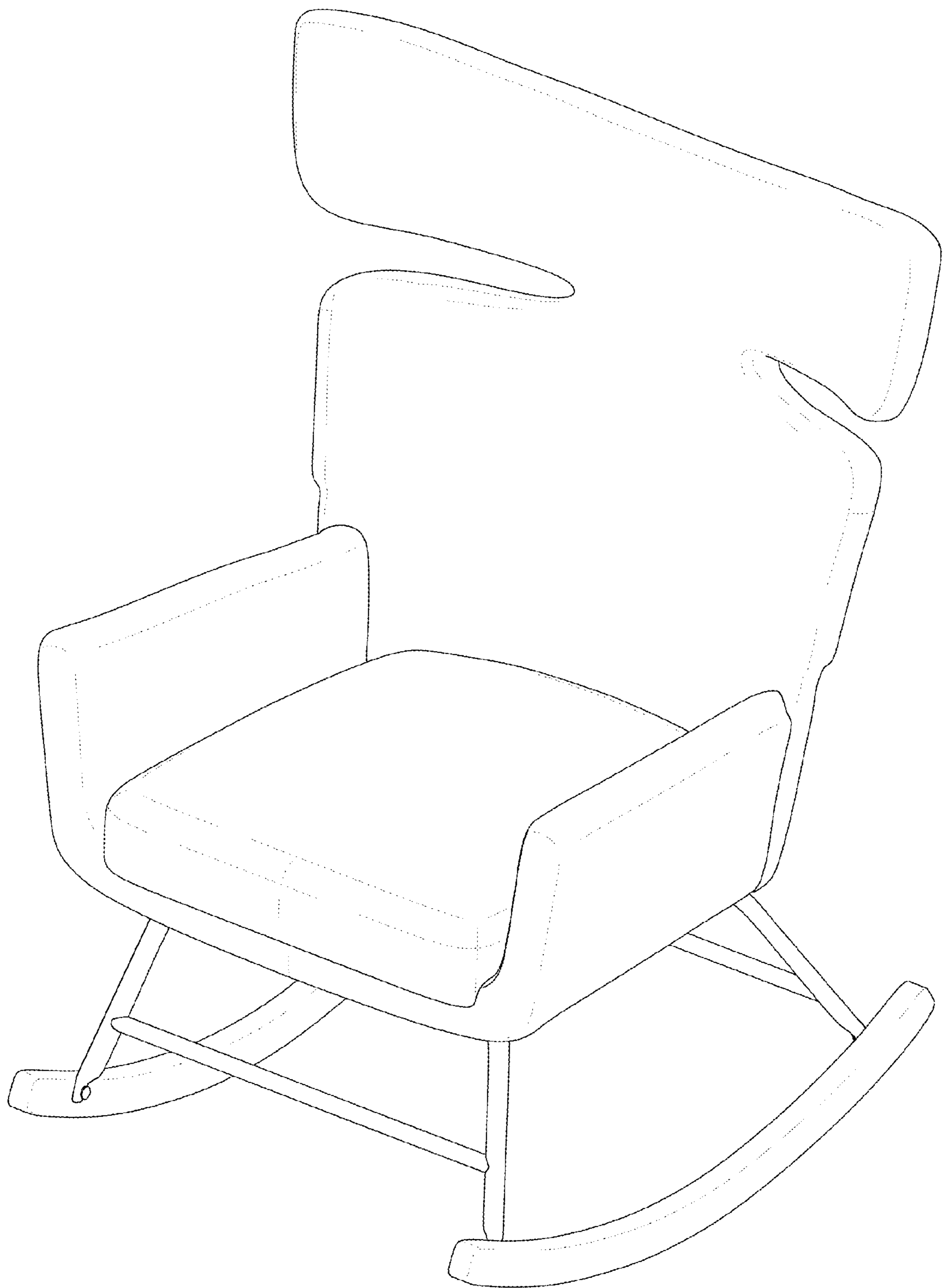


FIG. 1

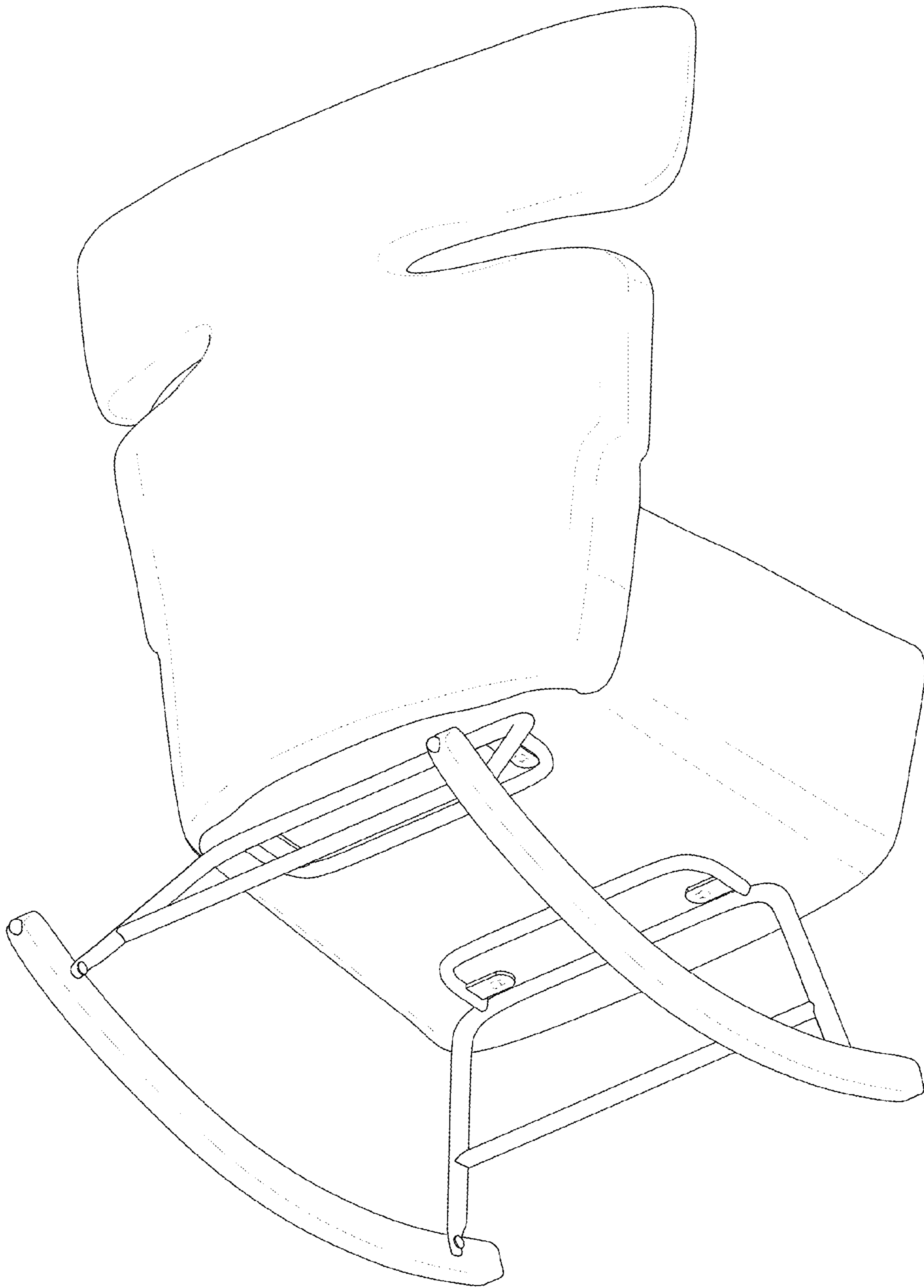


FIG. 2

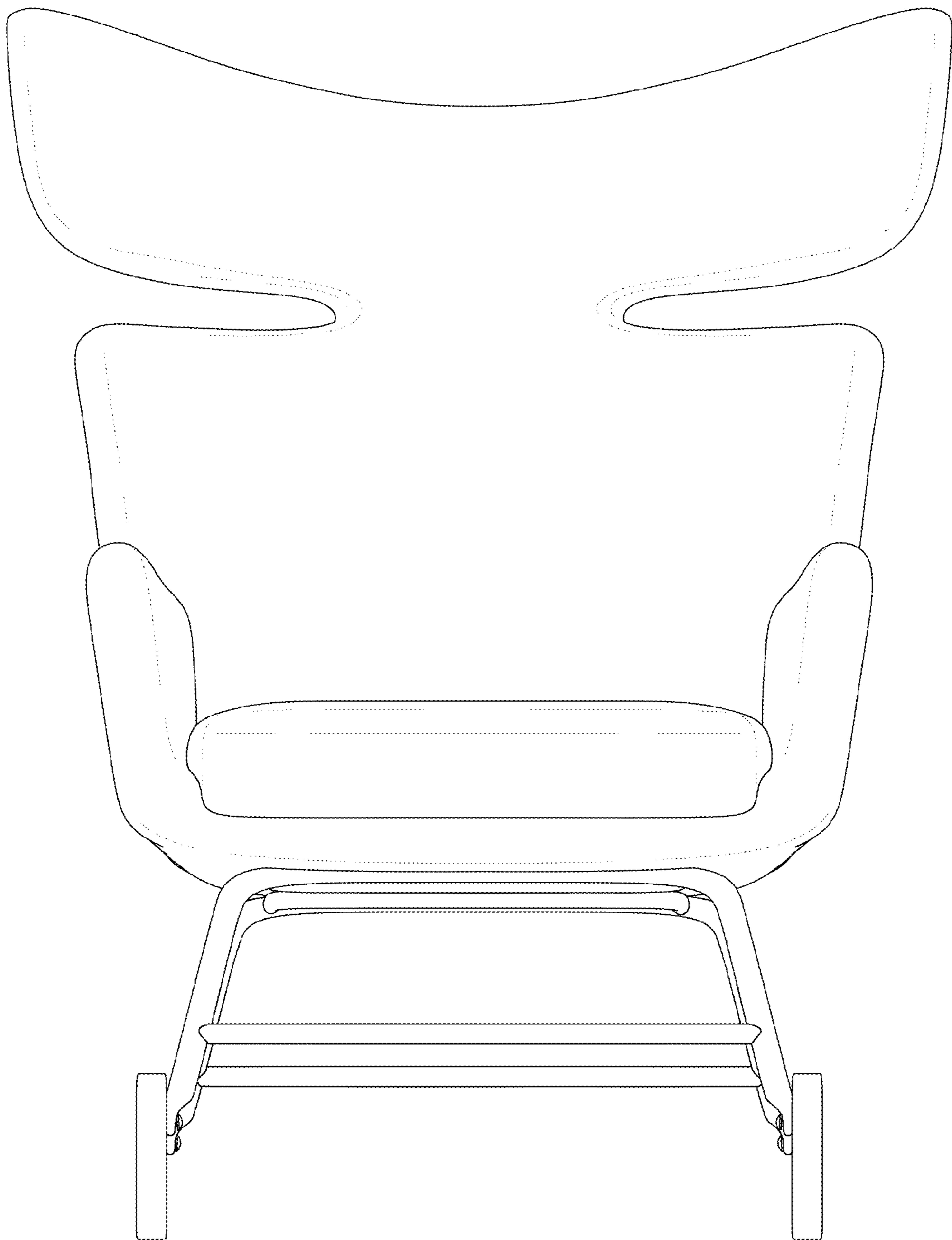


FIG. 3

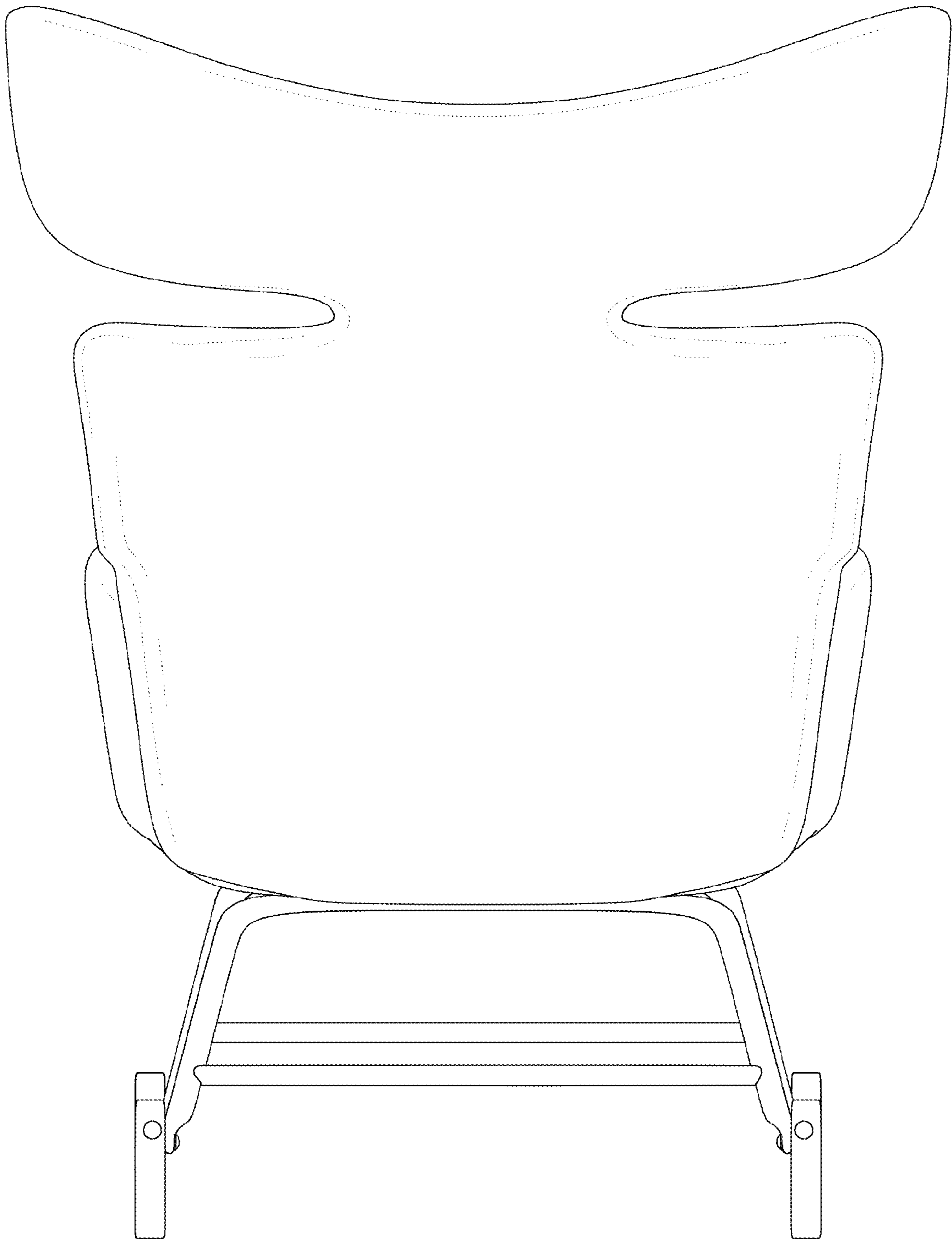


FIG. 4

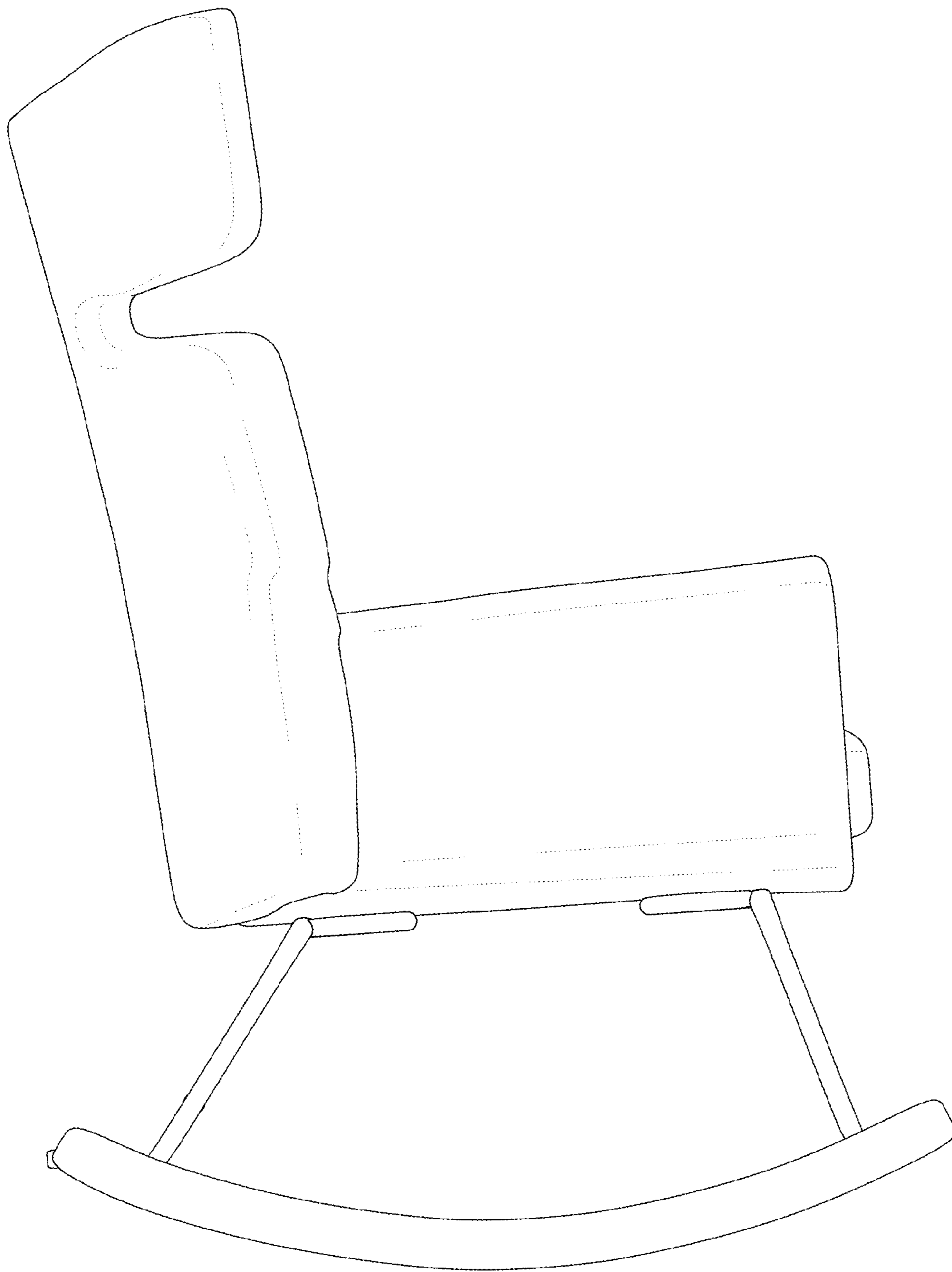


FIG. 5

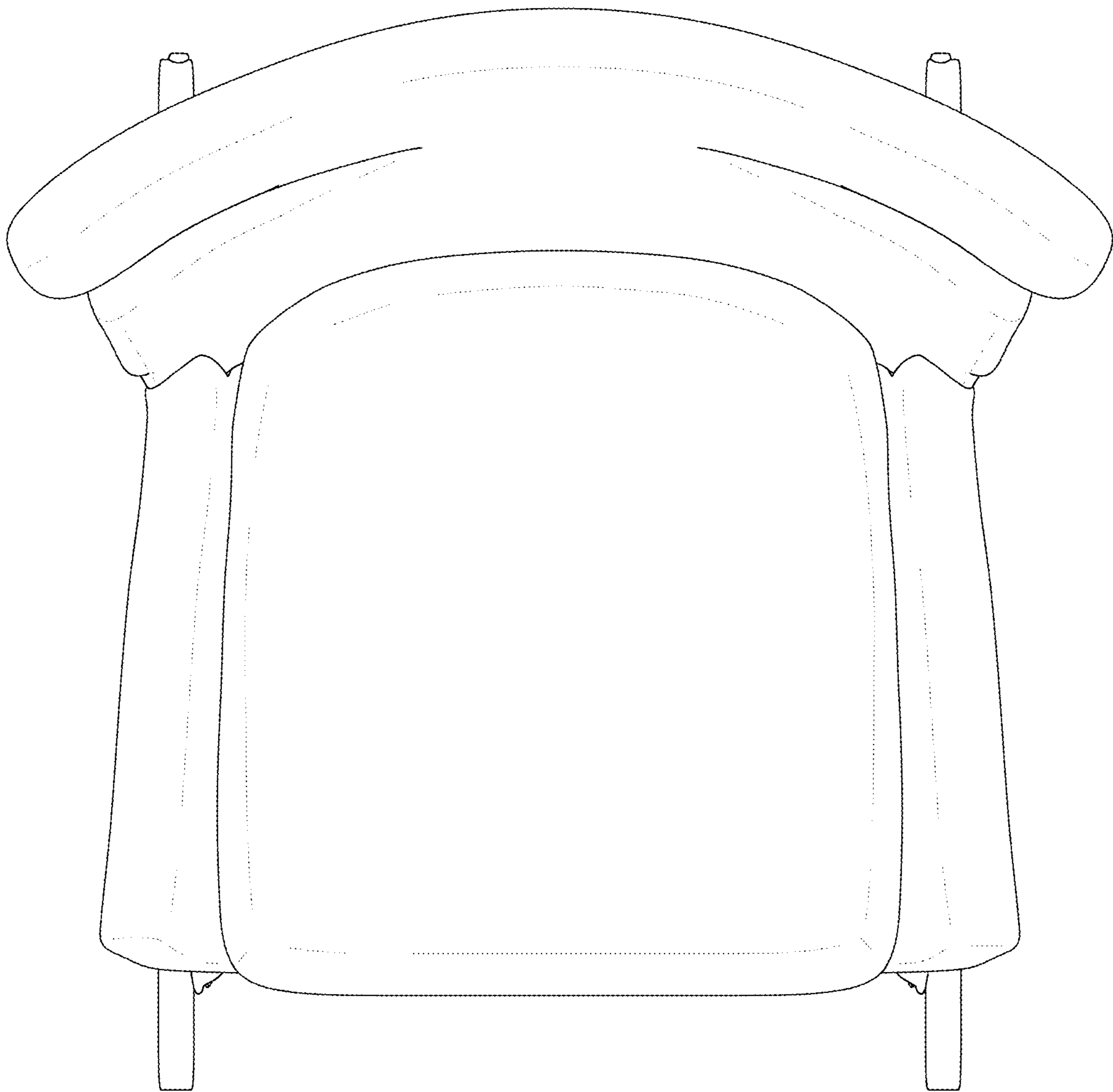


FIG. 6

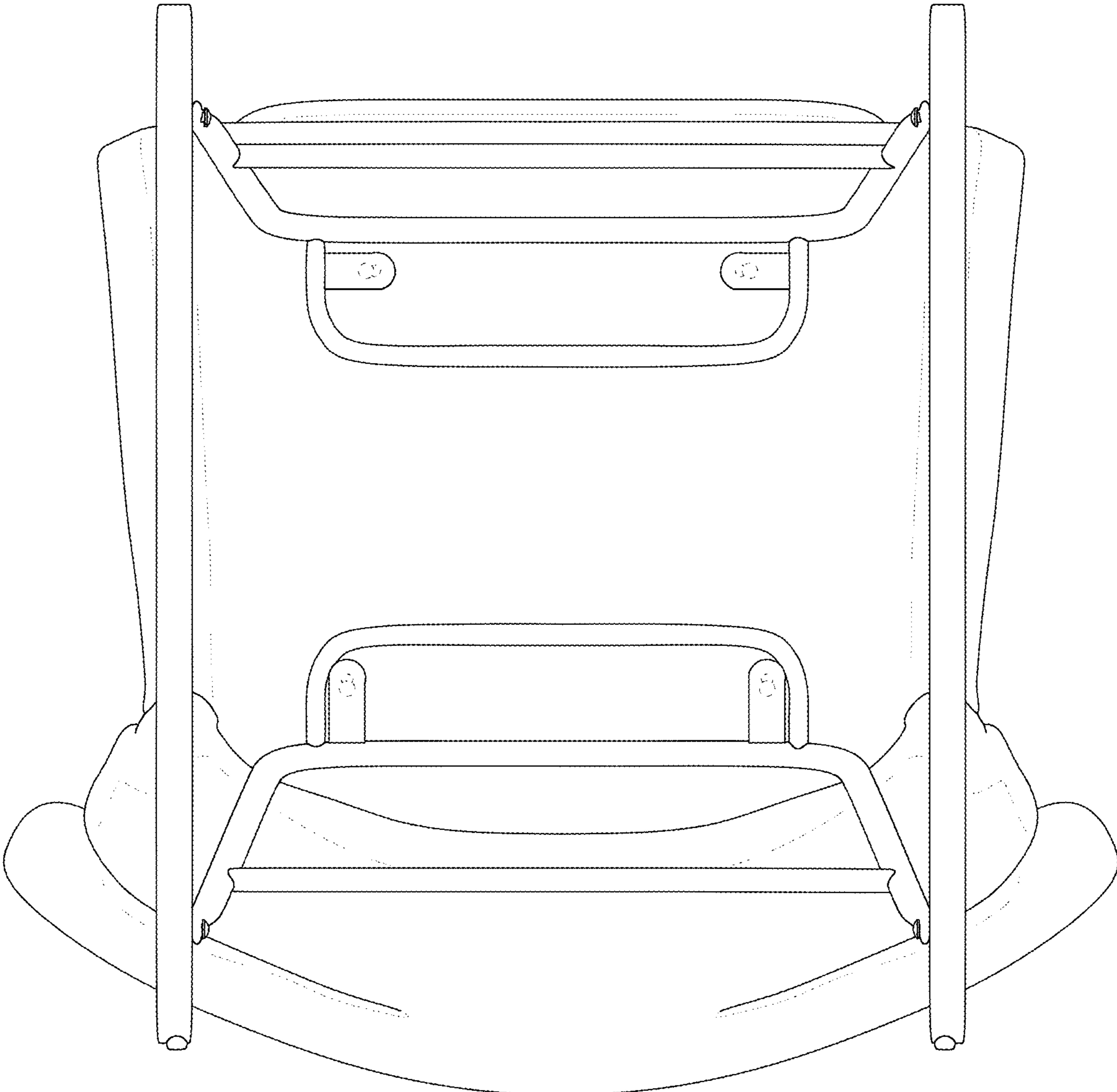


FIG. 7