



US00D984148S

(12) **United States Design Patent**
Nielsen

(10) **Patent No.:** **US D984,148 S**
(45) **Date of Patent:** **** Apr. 25, 2023**

(54) **BABY CHANGING MAT**
(71) Applicant: **LEANDER A/S**, Silkeborg (DK)
(72) Inventor: **Stig Leander Nielsen**, Silkeborg (DK)

(**) Term: **15 Years**

(21) Appl. No.: **35/512,132**

(22) Filed: **Jun. 25, 2021**

(80) **Hague Agreement Data**

Int. Filing Date: **Jun. 25, 2021**
Int. Reg. No.: **DM/215081**
Int. Reg. Date: **Jun. 25, 2021**
Int. Reg. Pub. Date: **Jul. 9, 2021**

(51) **LOC (14) Cl.** **06-01**

(52) **U.S. Cl.**
USPC **D6/333; D6/596**

(58) **Field of Classification Search**
USPC D6/333, 582, 583, 585, 586, 587, 588,
D6/589, 591, 595, 596, 601, 603;
D21/662, 686
CPC .. A47D 15/003; A47G 9/062; A47G 27/0218;
A47G 27/0237; A47G 27/0212; A47G
27/0231; A47G 27/0293; A63B 21/4037;
A63B 6/00

See application file for complete search history.

(56) **References Cited**

U.S. PATENT DOCUMENTS

3,721,434 A * 3/1973 Spies A61F 5/3776
5/655
3,968,911 A * 7/1976 Haas A47D 15/001
5/655
D271,266 S * 11/1983 Thom D6/595
4,712,258 A * 12/1987 Eves A47D 15/008
5/655
5,147,267 A * 9/1992 Kunewalder A63B 23/0233
482/142

D338,110 S * 8/1993 Peay D6/333
D408,479 S * 4/1999 Fitzpatrick D21/687
6,125,487 A * 10/2000 Ive A47D 15/008
5/655
D436,281 S * 1/2001 Thompson D6/333
6,389,624 B1 * 5/2002 Madole A47D 5/006
5/655
D603,165 S * 11/2009 Losiewicz D3/299
7,757,320 B2 * 7/2010 Lord A47D 5/00
5/946
D707,982 S * 7/2014 Chin D6/601
D743,186 S * 11/2015 Perdue D6/596
D809,825 S * 2/2018 Clores D6/601
10,016,066 B2 * 7/2018 Howard A61G 1/044
D833,776 S * 11/2018 Casserly D6/603

(Continued)

OTHER PUBLICATIONS

Leander, posted at albeebaby.com, posted on Oct. 27, 2017, site visited Jun. 16, 2022. online, available from internet: <https://tineye.com/search/751520494781d7c73b93308e3cfbab5b70d16daf?sort=score&order=desc&page=1> (Year: 2017).*

(Continued)

Primary Examiner — Catherine Ho

(57) **CLAIM**

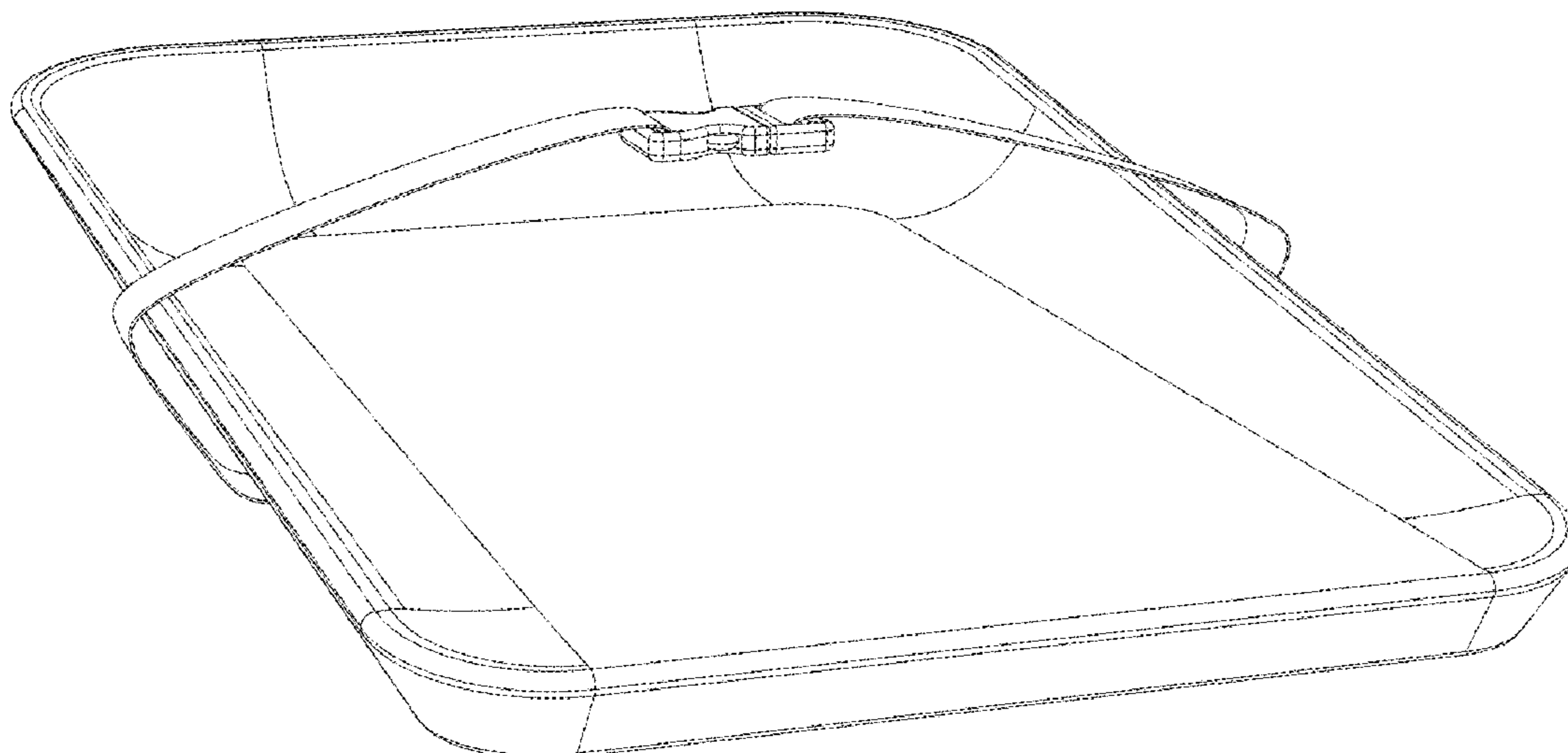
I claim the ornamental design for the baby changing mat, as shown and described herein.

DESCRIPTION

- 1.1 : Perspective
- 1.2 : Top
- 1.3 : Bottom
- 1.4 : Right
- 1.5 : Left
- 1.6 : Front
- 1.7 : Back

The broken lines show portions of the article that form no part of the claimed design. The area between the broken lines and solid lines do not form part of the claimed design.

1 Claim, 7 Drawing Sheets



(56)

References Cited

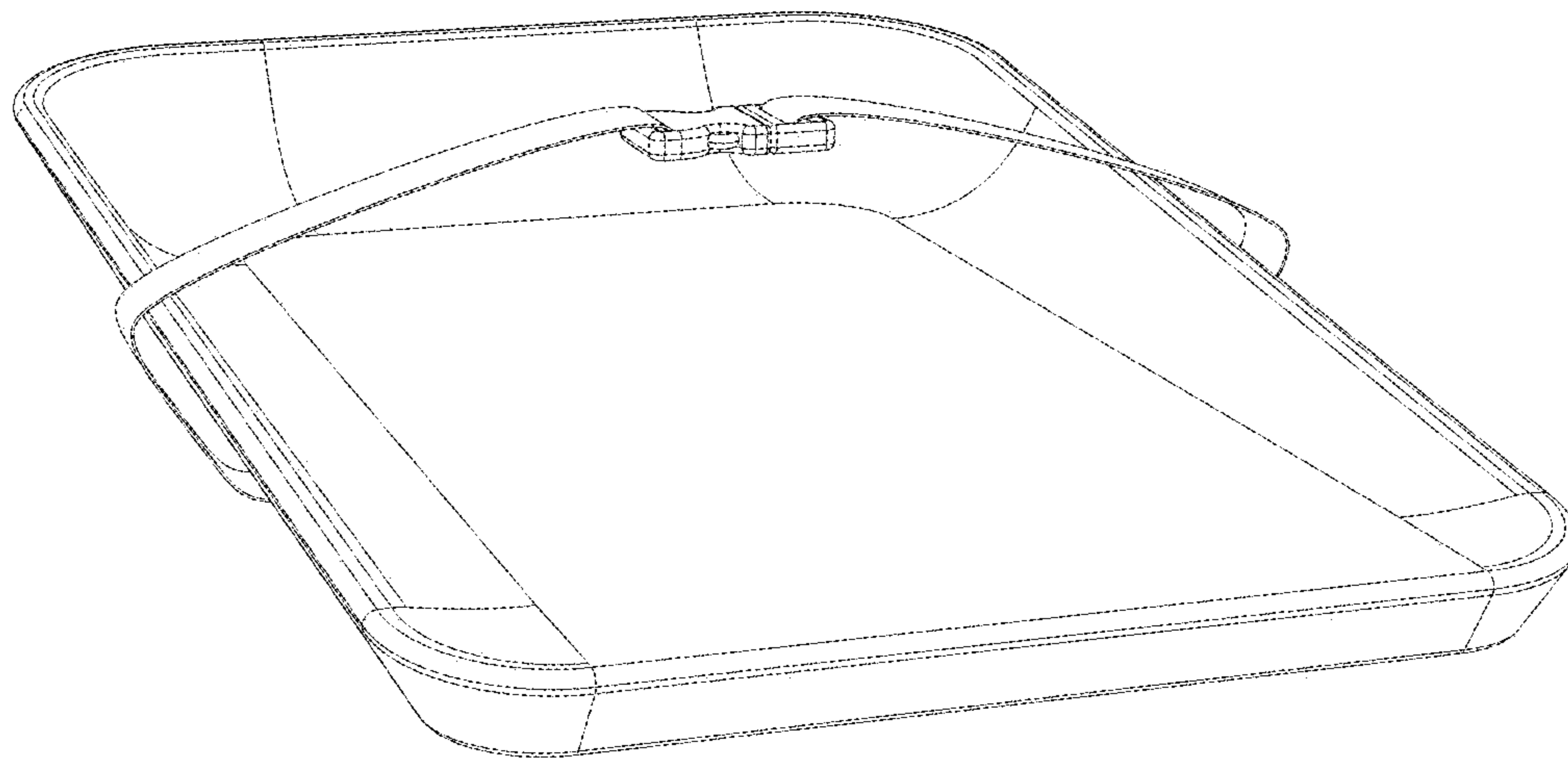
U.S. PATENT DOCUMENTS

D899,792 S * 10/2020 Cordova D5/99
2005/0000022 A1 * 1/2005 Houghteling A47D 15/003
5/655
2005/0050638 A1 * 3/2005 Rutkowski A47D 15/003
5/655
2008/0178387 A1 * 7/2008 Kachtick-Anders
A47D 13/025
5/655
2009/0255060 A1 * 10/2009 Biggs A47G 9/062
482/142
2010/0016134 A1 * 1/2010 Reese A63B 21/4013
482/131
2015/0359355 A1 * 12/2015 Rushing A47D 5/00
5/655
2017/0055721 A1 * 3/2017 Penello A47D 5/006
2017/0295952 A1 * 10/2017 Shumway A47D 15/008

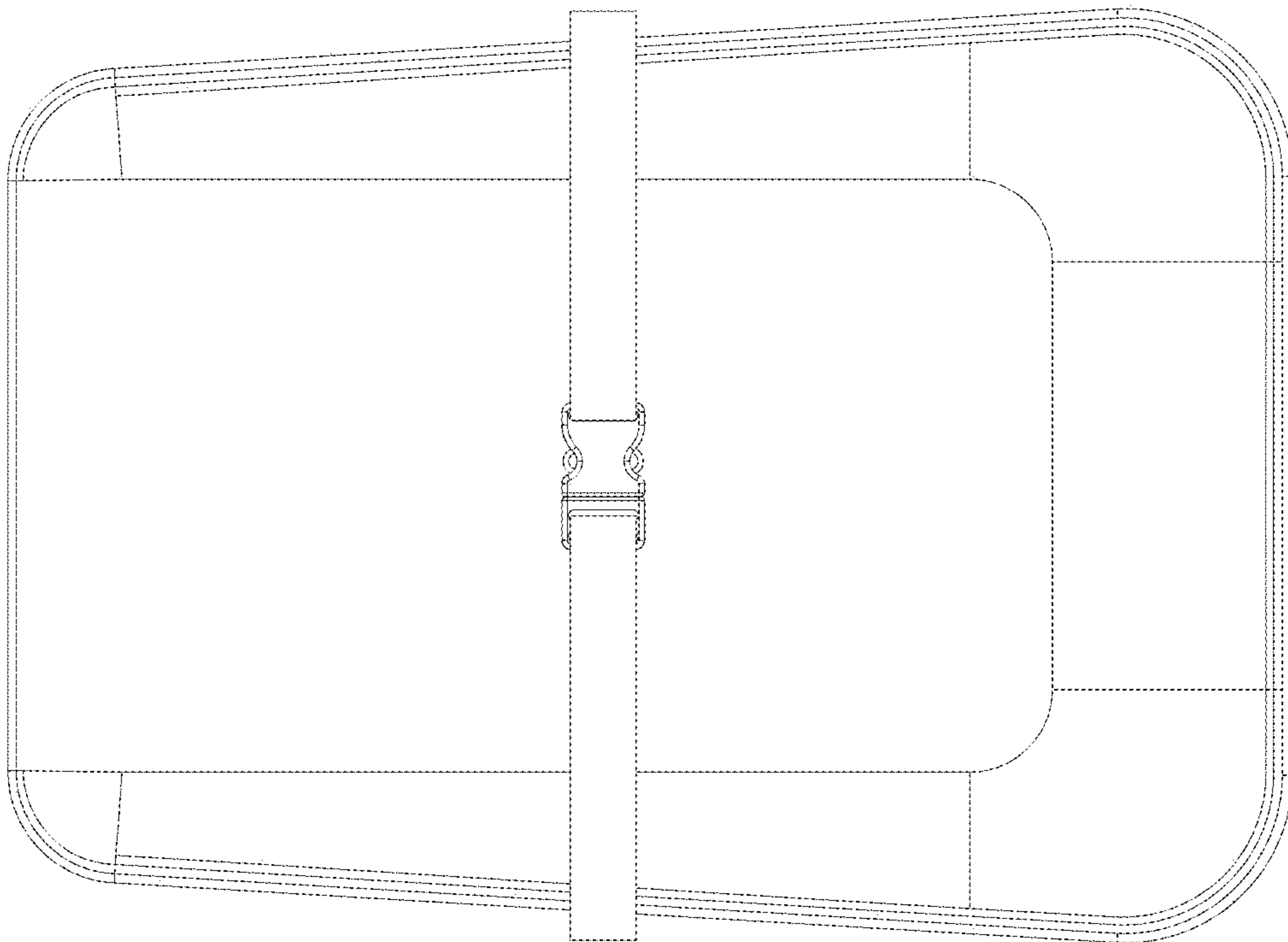
OTHER PUBLICATIONS

Naturepedic, posted at amazon.com, posted on Oct. 13, 2009, site visited Jun. 16, 2022. online, available from internet: <https://www.amazon.com/Naturepedic-Organic-4-Sided-Contoured-Changing/dp/B001AV40Z4/> (Year: 2009).*

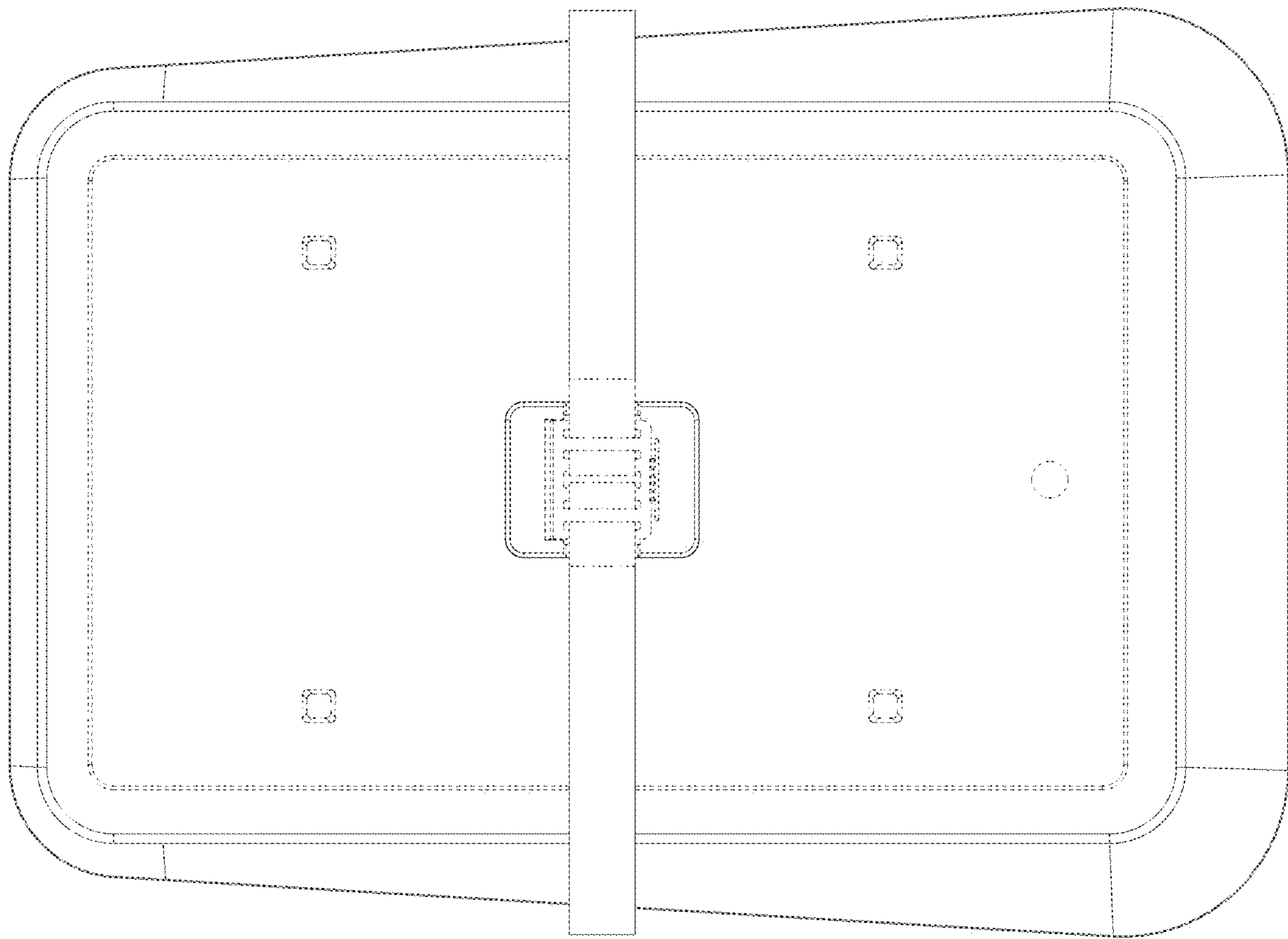
* cited by examiner



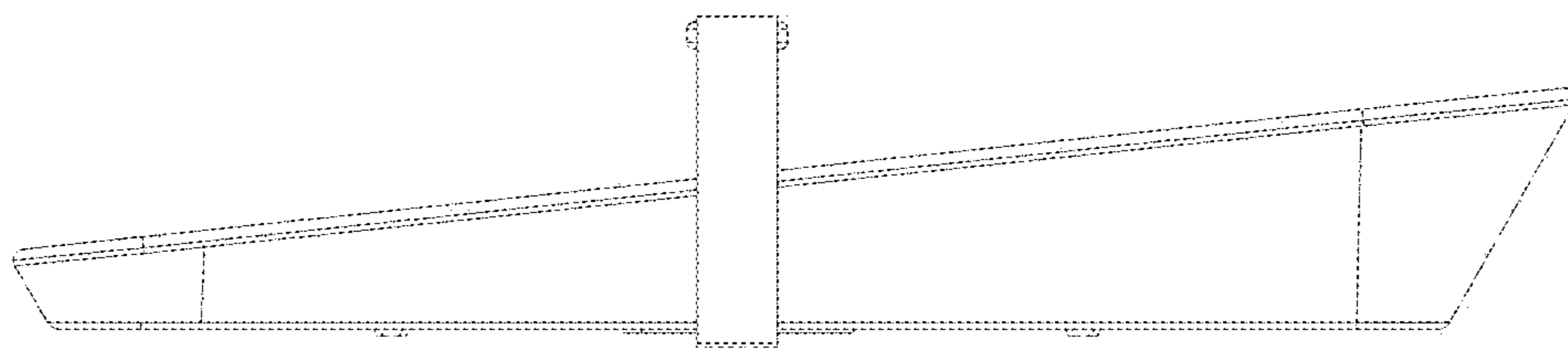
1.1



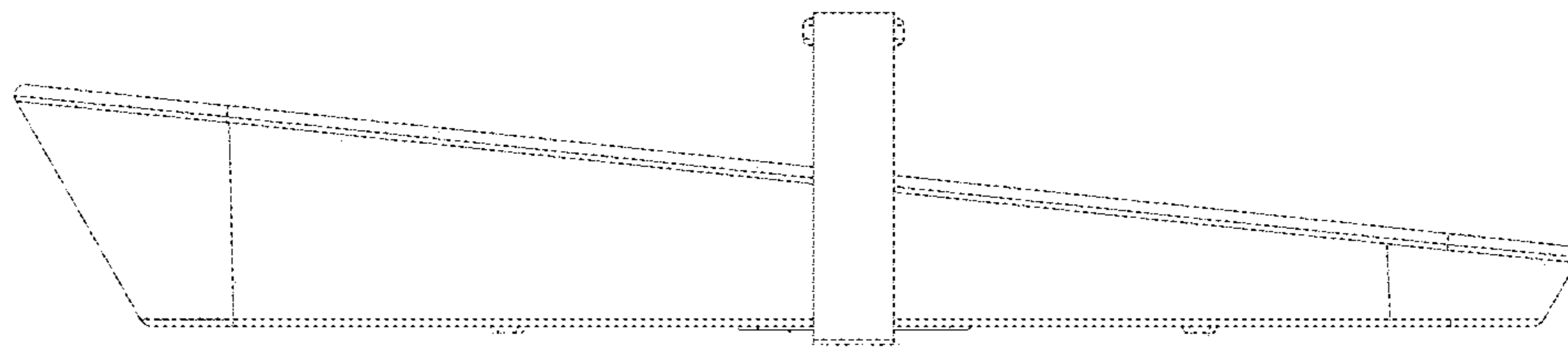
1.2



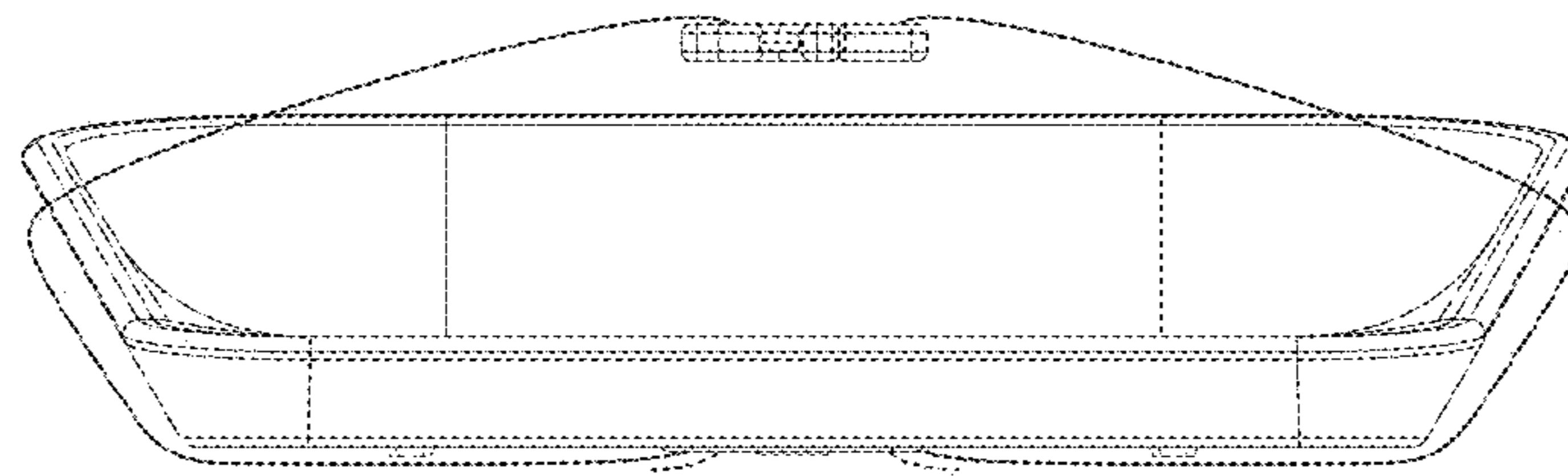
1.3



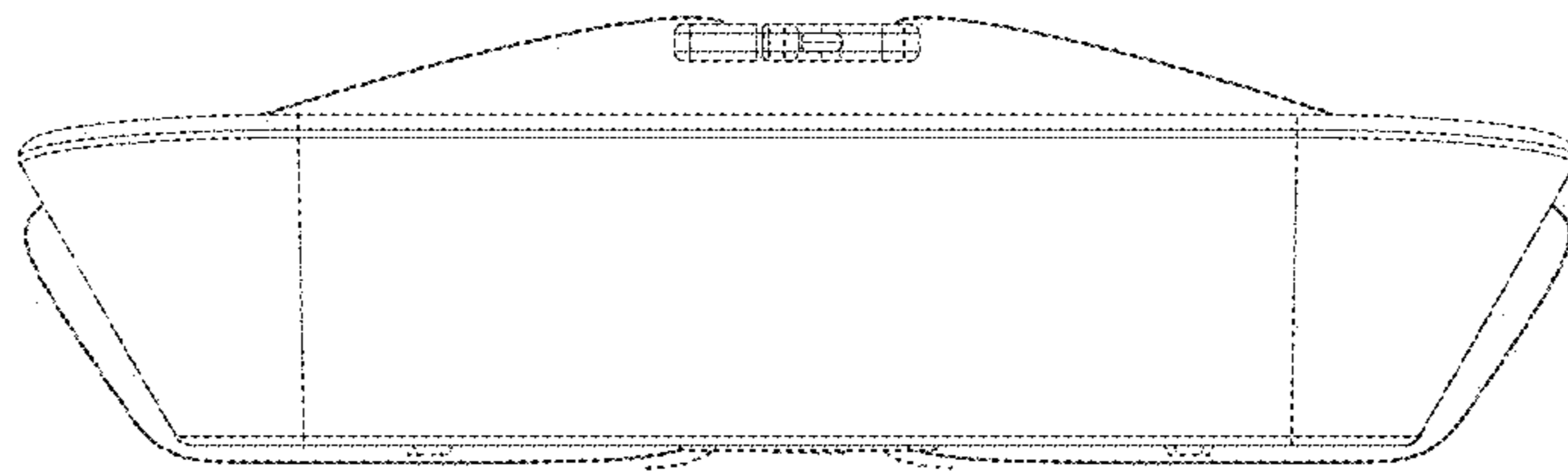
1.4



1.5



1.6



1.7