



US00D984142S

(12) **United States Design Patent**  
**Wang**

(10) **Patent No.:** **US D984,142 S**

(45) **Date of Patent:** **\*\* Apr. 25, 2023**

- (54) **COMB**
- (71) Applicant: **MG MILAN S.R.L.**, Bergamo (IT)
- (72) Inventor: **Dajun Wang**, Lishui (CN)
- (73) Assignee: **MG MILAN S.R.L.**, Bergamo (IT)
- (\*\*) Term: **15 Years**

D820,602 S *	6/2018	Yoon	.....	D4/138
D820,603 S *	6/2018	Yoon	.....	D4/138
D847,517 S *	5/2019	Rosenzweig	.....	D4/138
D874,833 S	2/2020	York		
D893,888 S *	8/2020	Sze	.....	D4/134
D900,481 S *	11/2020	Chen	.....	D4/133
D934,571 S *	11/2021	Wang	.....	D4/134
D939,221 S *	12/2021	Park	.....	D4/138
11,202,498 B2 *	12/2021	Sze	.....	A46B 9/023
D946,905 S *	3/2022	Hinds	.....	D4/134
D948,876 S *	4/2022	Yang	.....	D4/134

(21) Appl. No.: **29/856,370**

(22) Filed: **Oct. 13, 2022**

(30) **Foreign Application Priority Data**

Sep. 30, 2022 (EM) ..... 009191661-0001

(51) **LOC (14) Cl.** ..... **04-02**

(52) **U.S. Cl.**  
USPC ..... **D4/134**

(58) **Field of Classification Search**  
USPC ..... D4/100, 102, 114, 116, 127, 128, 129,  
D4/130, 131, 132, 133, 134, 135, 136,  
D4/137, 138, 199; D30/158  
CPC ..... A46B 7/06; A46B 9/023; A46B 2200/104  
See application file for complete search history.

(56) **References Cited**

**U.S. PATENT DOCUMENTS**

614,335 A *	11/1898	Newman	.....	A46B 7/04 15/176.5
674,120 A *	5/1901	Montgomery	.....	A46B 7/04 15/176.5
1,007,328 A *	10/1911	Braudstetter	.....	A46B 7/06 15/201
3,314,096 A *	4/1967	Berliner	.....	A46B 7/04 15/207.2
8,857,005 B2 *	10/2014	Shim	.....	A46B 5/0025 15/160
D783,292 S *	4/2017	Chang	.....	D4/128
D796,209 S	9/2017	Hu		

**FOREIGN PATENT DOCUMENTS**

KR 300998325.0000 \* 3/2019

\* cited by examiner

*Primary Examiner* — Karen E Eldridge Powers

(74) *Attorney, Agent, or Firm* — ScienBiziP, P.C.

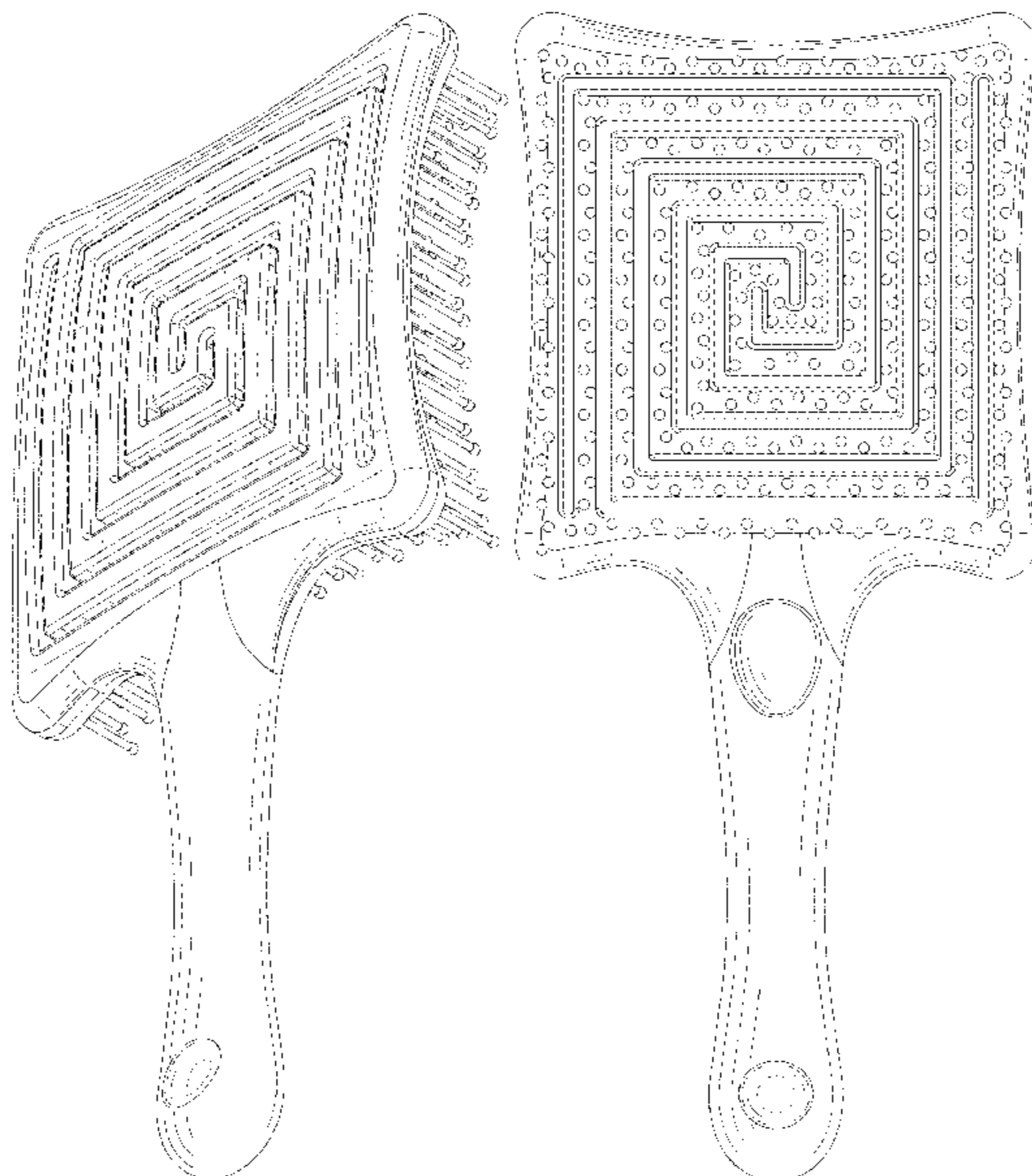
(57) **CLAIM**

The ornamental design for a comb, as shown and described.

**DESCRIPTION**

FIG. 1 is a front, right and top perspective view of a comb, showing my design.  
 FIG. 2 is a rear, left and bottom perspective view thereof.  
 FIG. 3 is a front, right and bottom perspective view thereof.  
 FIG. 4 is a front elevation view thereof.  
 FIG. 5 is a rear elevation view thereof.  
 FIG. 6 is a left side elevation view thereof.  
 FIG. 7 is a right side elevation view thereof.  
 FIG. 8 is a top plan view thereof.  
 FIG. 9 is a bottom plan view thereof; and,  
 FIG. 10 is an enlarged view of detail 10 in FIG. 1.  
 The broken lines depict portions of the comb that form no part of the claimed design. In addition, the dot-dash broken lines in FIGS. 1 and 10 depict the boundaries of the enlargements that form no part of the claimed design.

**1 Claim, 10 Drawing Sheets**



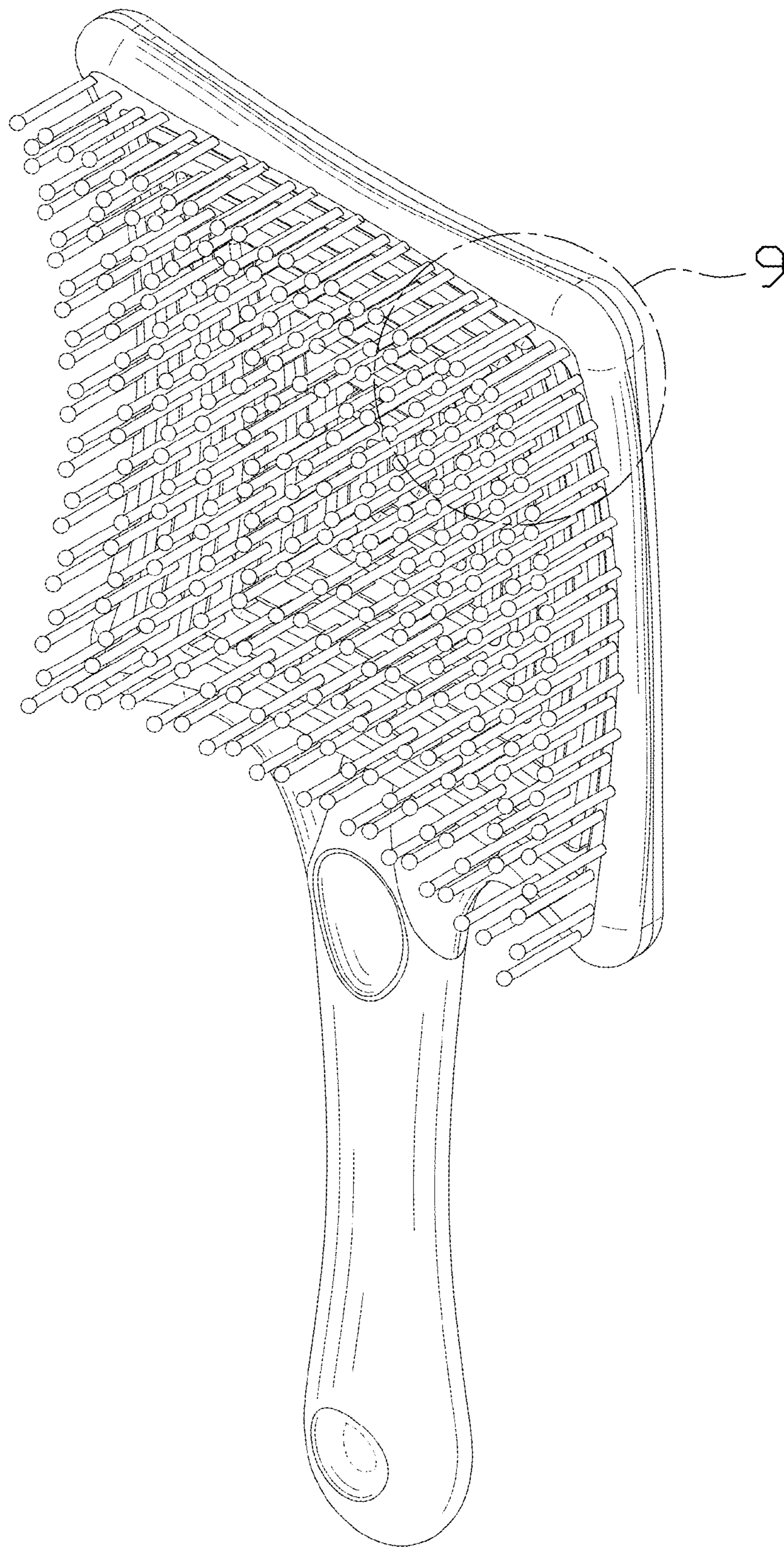


FIG. 1

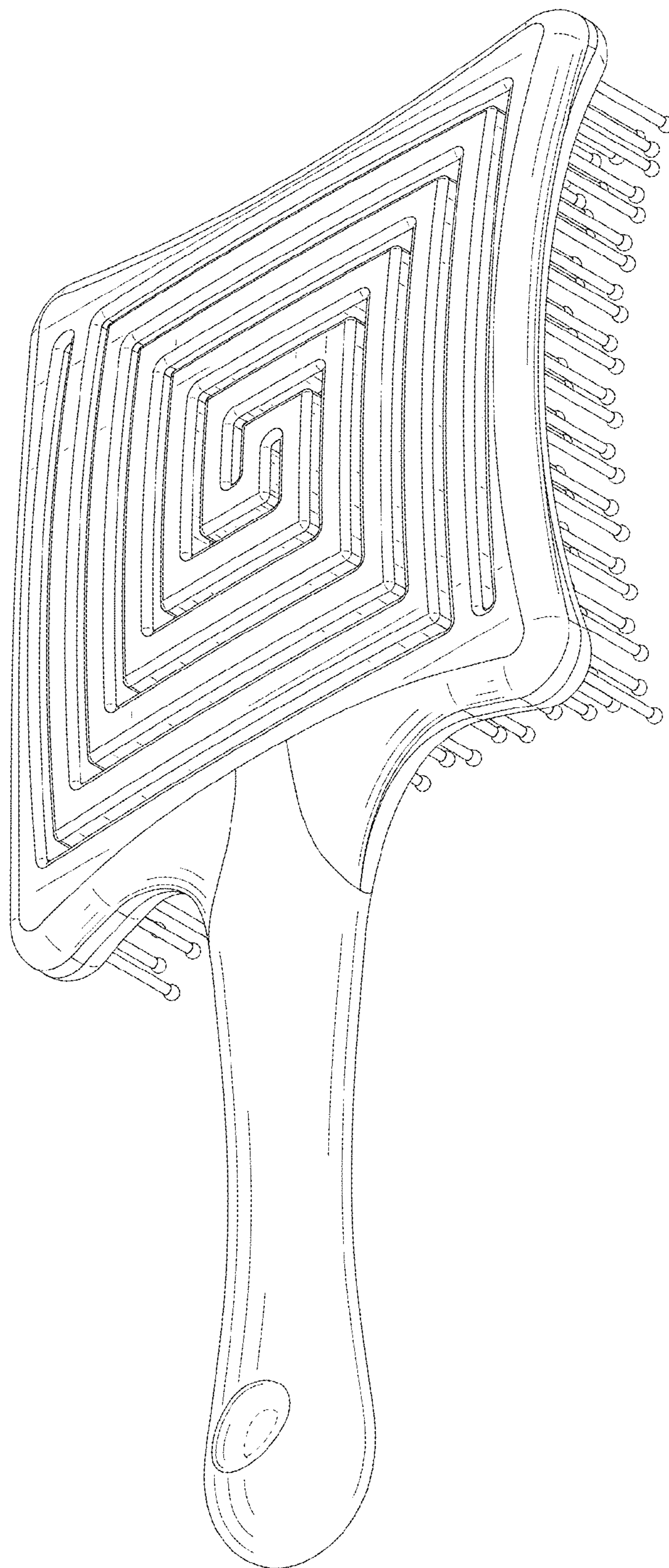


FIG. 2

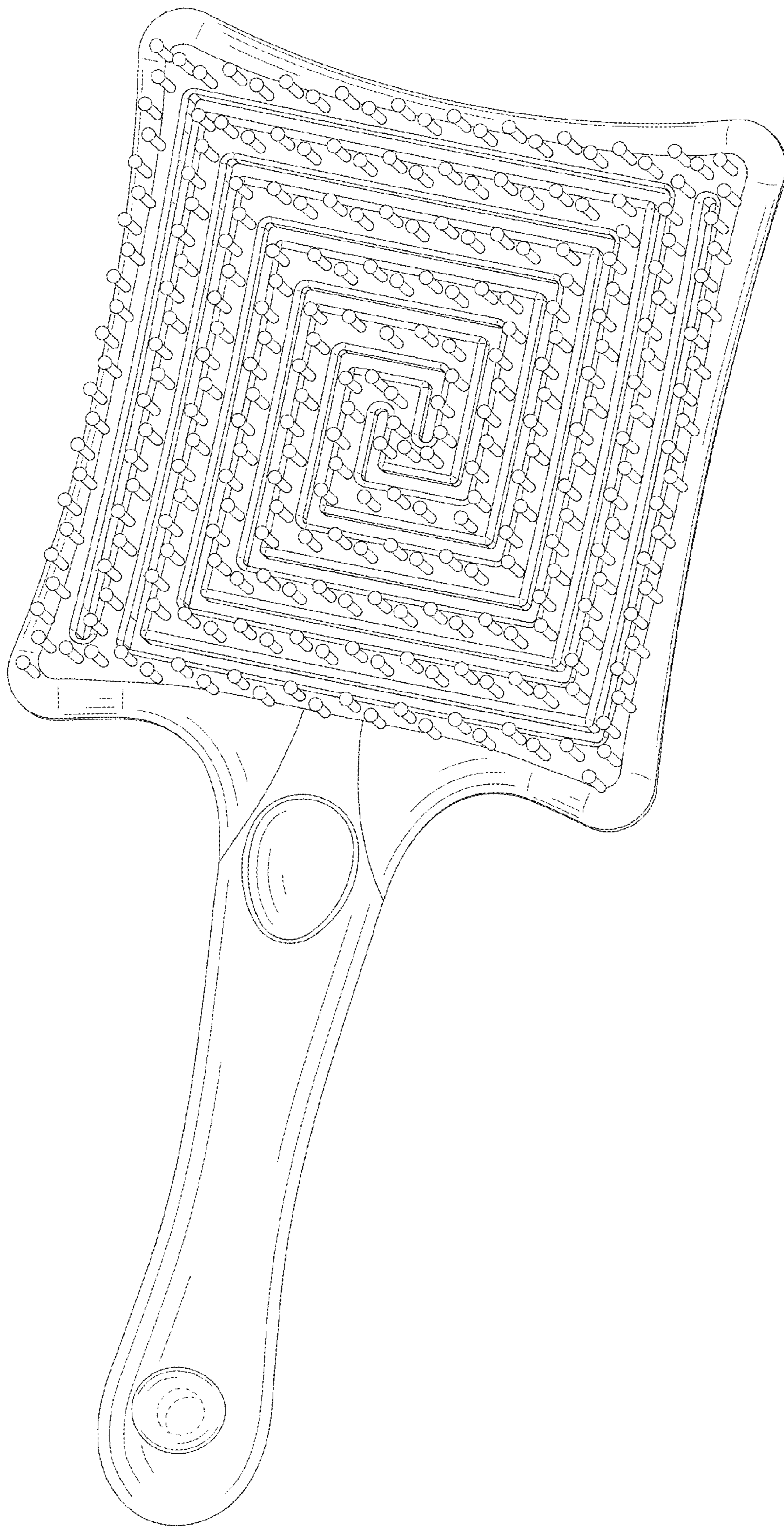


FIG. 3

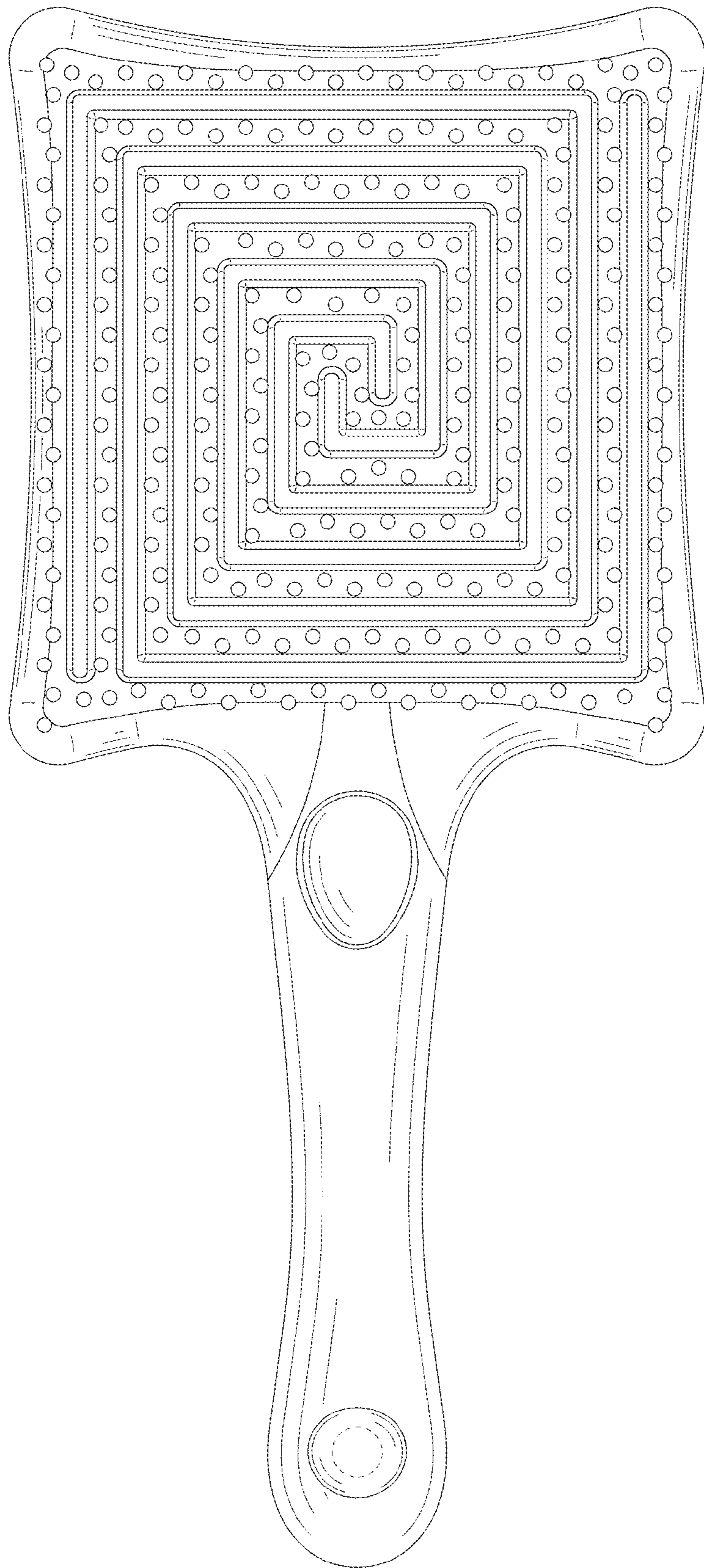


FIG. 4

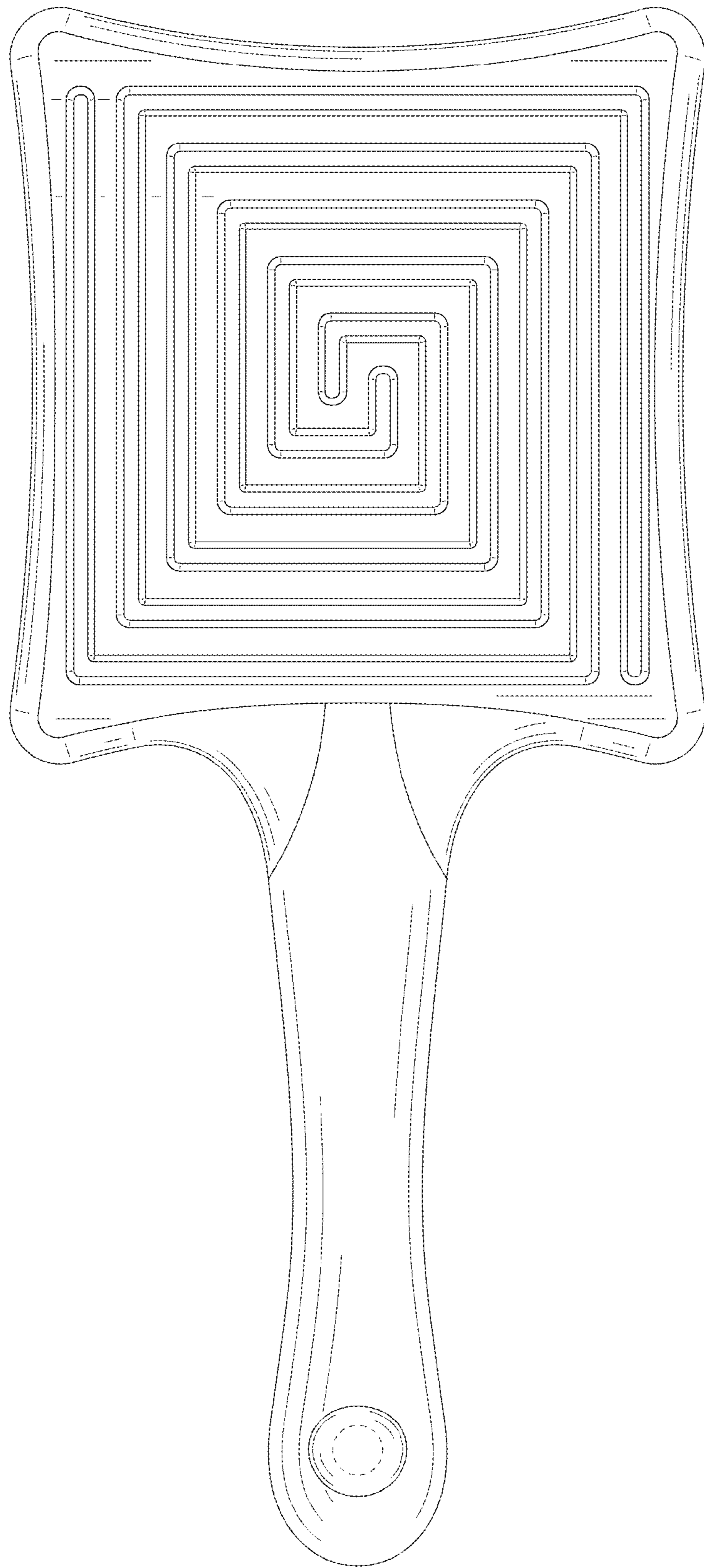


FIG. 5

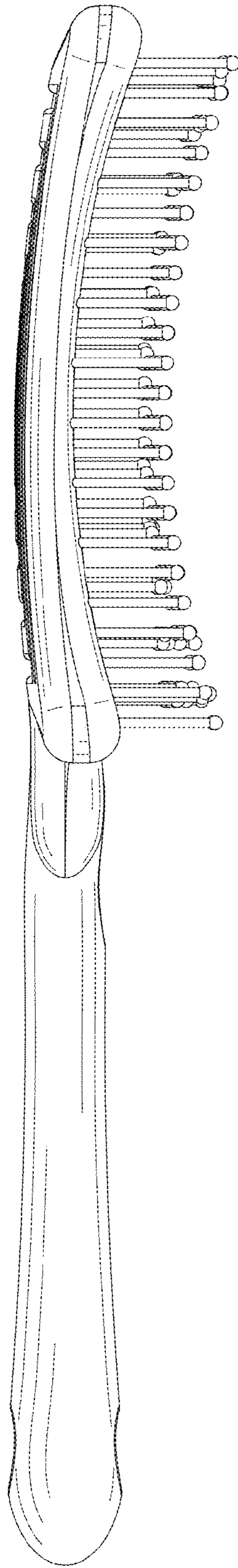


FIG. 6

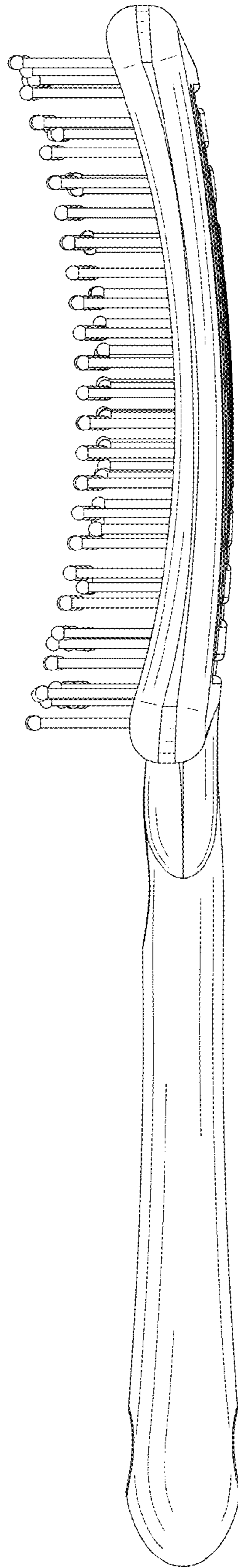


FIG. 7



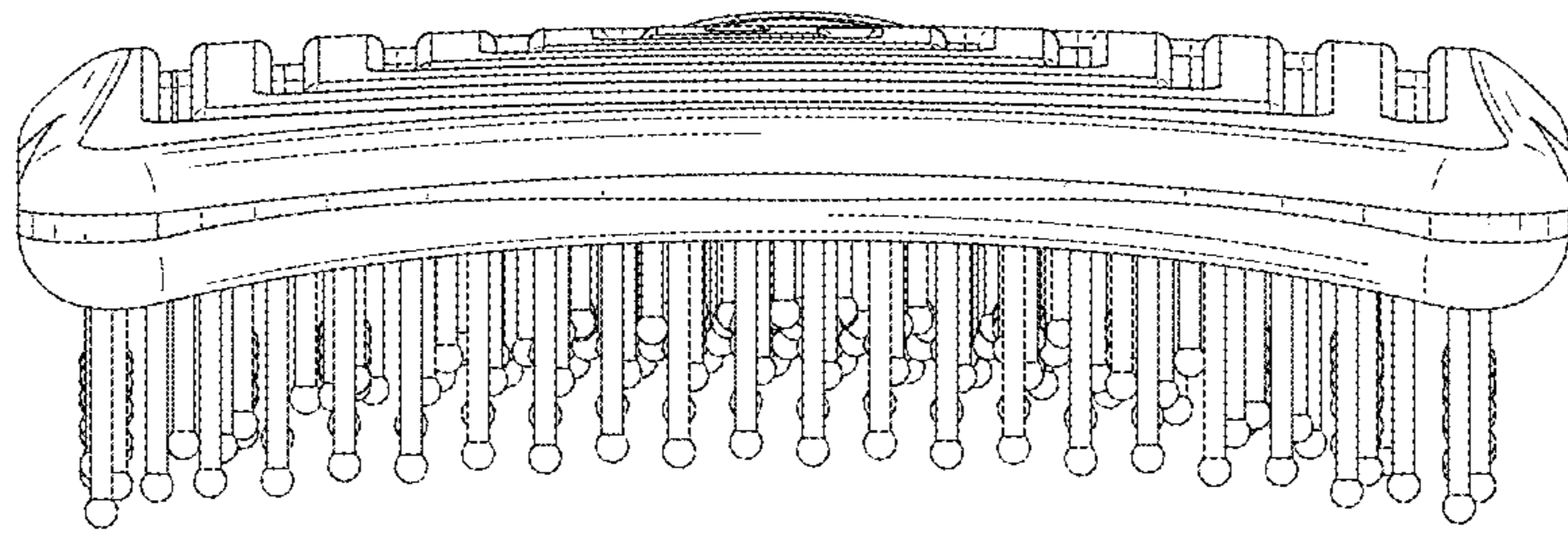


FIG. 8

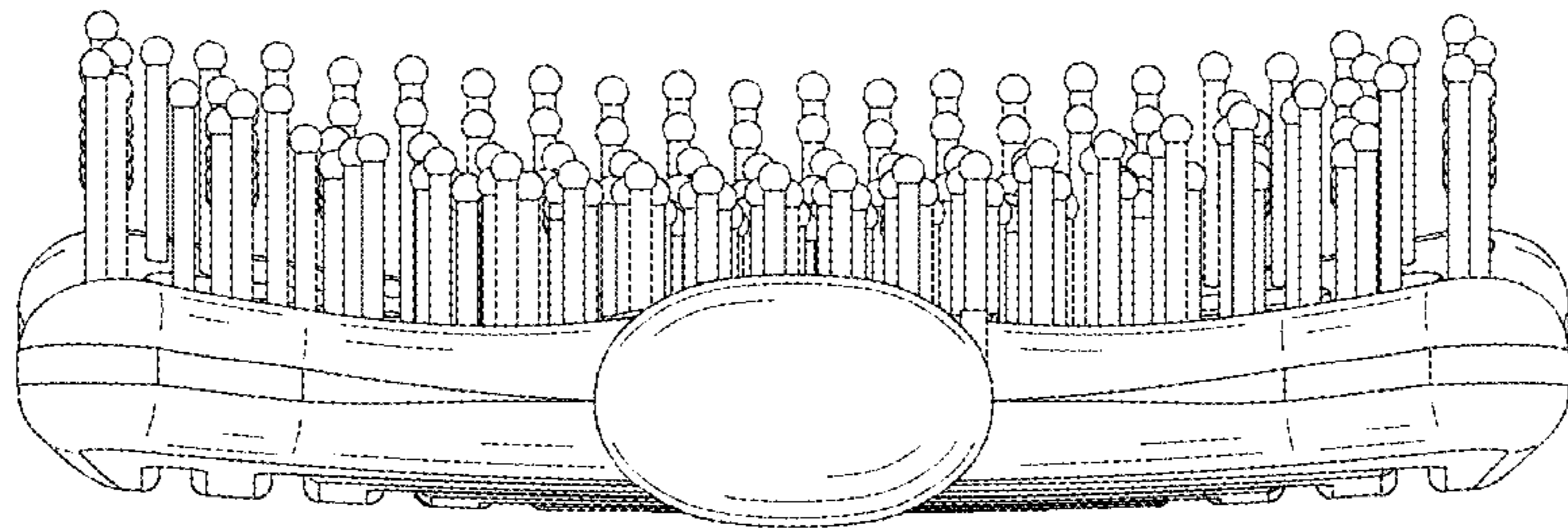


FIG. 9

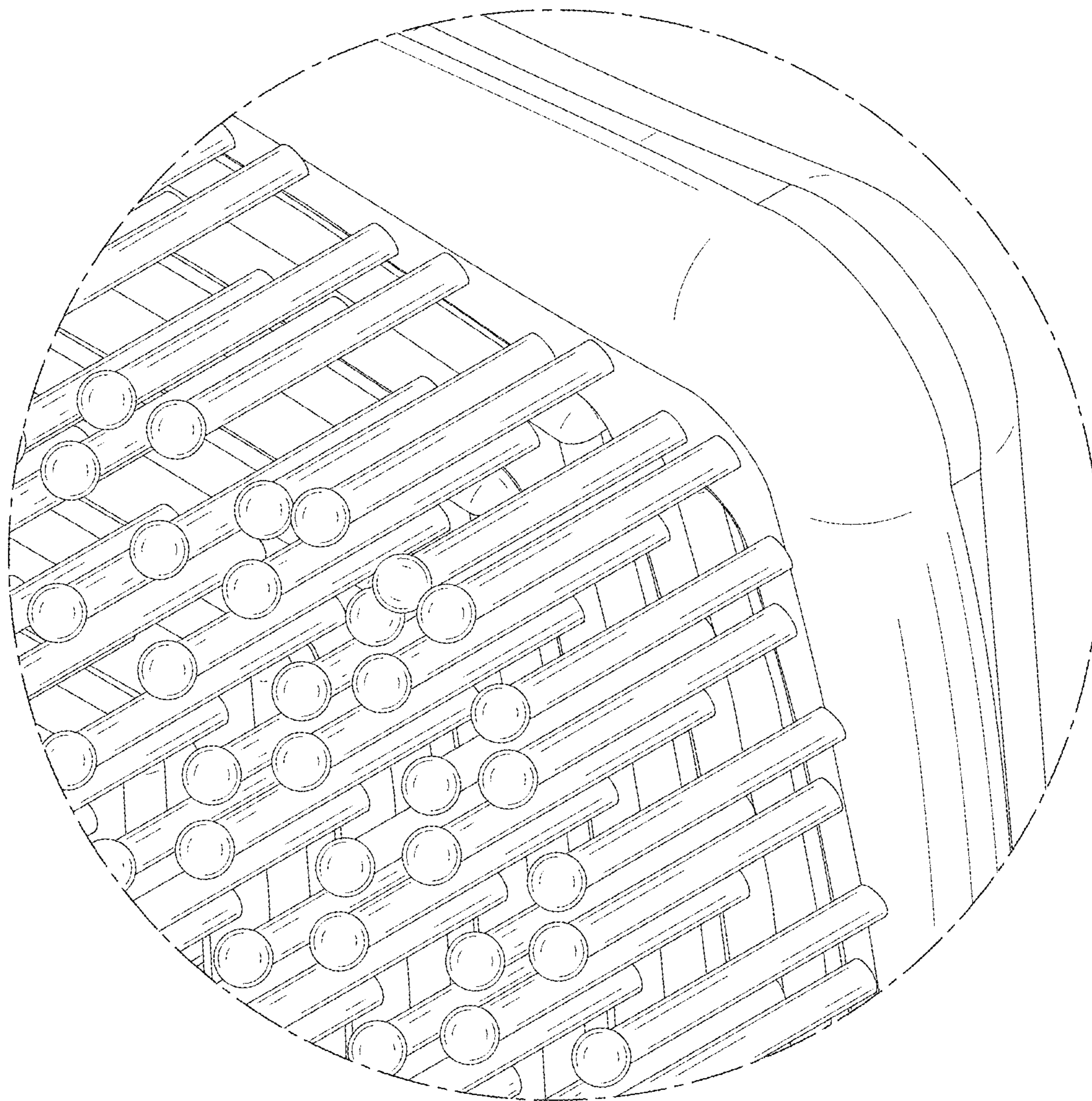


FIG. 10