



US00D984141S

(12) **United States Design Patent** (10) **Patent No.:** **US D984,141 S**
Chen (45) **Date of Patent:** **** Apr. 25, 2023**

(54) **HAIR BRUSH**

FOREIGN PATENT DOCUMENTS

(71) Applicant: **NINGBO LET IT BE ARTS AND CRAFTS CO., LTD**, Ningbo (CN)

CN 306699604 * 7/2020
CN 306394739 * 3/2021

(72) Inventor: **Jiayan Chen**, Ningbo (CN)

OTHER PUBLICATIONS

(73) Assignee: **NINGBO LET IT BE ARTS AND CRAFTS CO., LTD**, Ningbo (CN)

HAIROIC Hair Detangling Brush Set, posted Jan. 10, 2022 [online], [retrieved Aug. 30, 2022]. Retrieved from internet, <https://www.amazon.com/HAIROIC-Detangling-Biodegradable-Detangler-Hairbrush/dp/B09C9QY5Z2/> (Year: 2022).*

(**) Term: **15 Years**

HAIROIC Hair Detangling 3 Piece Brush Set Biodegradable with Detangler Hairbrush, posted Mar. 14, 2022 [online], [retrieved Aug. 30, 2022]. Retrieved from internet, <https://www.amazon.com/HAIROIC-Detangling-Biodegradable-Straightener-Tourmaline/dp/B09VHBD91H/> (Year: 2022).*

(21) Appl. No.: **29/777,042**

(22) Filed: **Apr. 2, 2021**

(51) **LOC (14) Cl.** **04-99**

(52) **U.S. Cl.** **D4/134**
USPC **D4/134**

(58) **Field of Classification Search**
USPC D4/132, 134, 135, 199; D28/99
CPC . A46B 2200/10; A46B 2200/104; A46B 1/00;
A46B 3/005; A46B 13/00; A46B 13/018;
A46B 9/00; A46B 9/02; A46B 9/026;
A46B 15/0051

See application file for complete search history.

(Continued)

Primary Examiner — Alison M Ofstun
Assistant Examiner — Evin Franklin George Ershock
(74) *Attorney, Agent, or Firm* — Bayramoglu Law Offices LLC

(56) **References Cited**

U.S. PATENT DOCUMENTS

D895,299 S *	9/2020	Sun	D4/134
D896,531 S *	9/2020	Lai	D4/134
D900,481 S *	11/2020	Chen	D4/133
D903,333 S *	12/2020	Choi	D4/134
D913,703 S *	3/2021	Sze	D4/134
D934,571 S *	11/2021	Wang	D4/134
D935,197 S *	11/2021	Rennette	D4/134
D936,372 S *	11/2021	Hulin	D4/134
D944,536 S *	3/2022	Leatherwood	D4/134
D948,875 S *	4/2022	Brosmith	D4/134
D948,876 S *	4/2022	Yang	A46B 9/023
				D4/134
D956,431 S *	7/2022	Wang	D4/134
2020/0288851 A1 *	9/2020	Sze	A46B 9/023

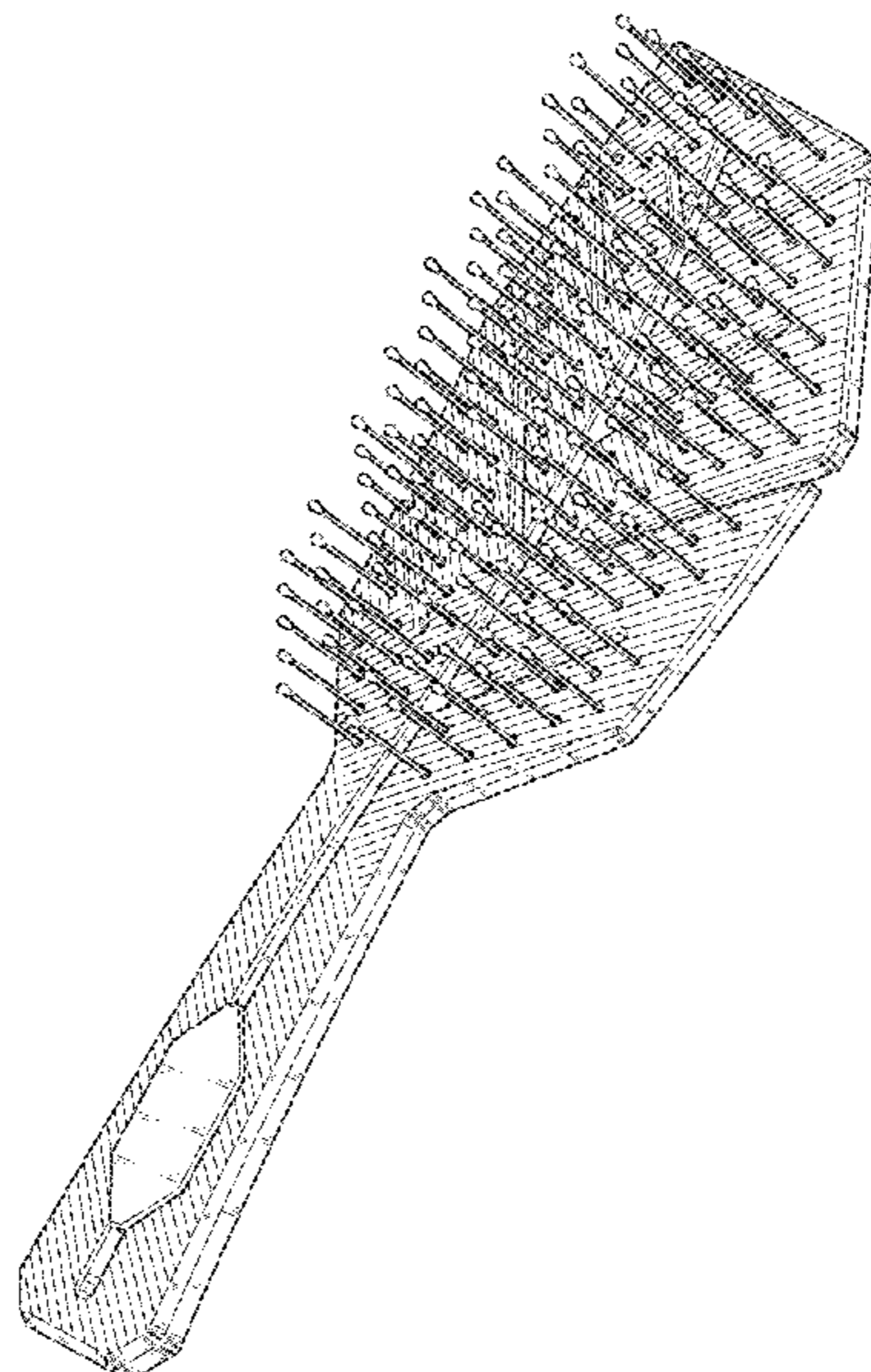
(57) **CLAIM**

The ornamental design for a hair brush, as shown and described.

DESCRIPTION

FIG. 1 is a perspective view of a hair brush showing my new design;
FIG. 2 is a rear view thereof;
FIG. 3 is a front view thereof;
FIG. 4 is a left side view thereof;
FIG. 5 is a right side view thereof;
FIG. 6 is a bottom view thereof; and,
FIG. 7 is a top view thereof.
In the drawings, the broken lines illustrate portions of the hairbrush and form no part of the claimed design.

1 Claim, 7 Drawing Sheets



(56)

References Cited

OTHER PUBLICATIONS

Wetbrush Go Green Biodegradable Detangling Brush—120 g, posted Oct. 12, 2019 [online], [retrieved Aug. 30, 2022]. Retrieved from internet, <https://www.amazon.co.uk/Wetbrush-Green-Biodegradable-Detangling-Brush/dp/B07CFSDWWC/> (Year: 2019).*

* cited by examiner

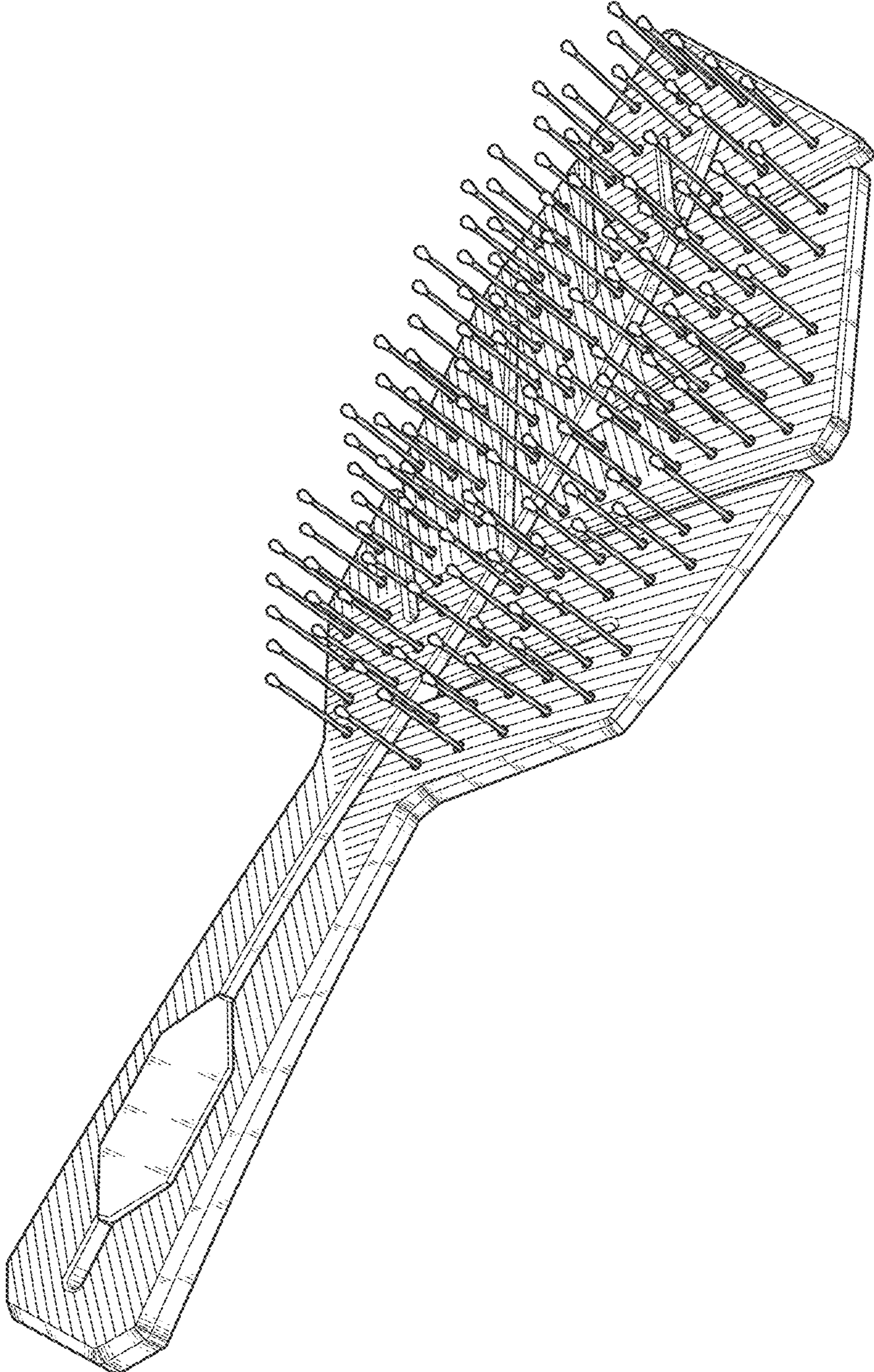


Fig. 1

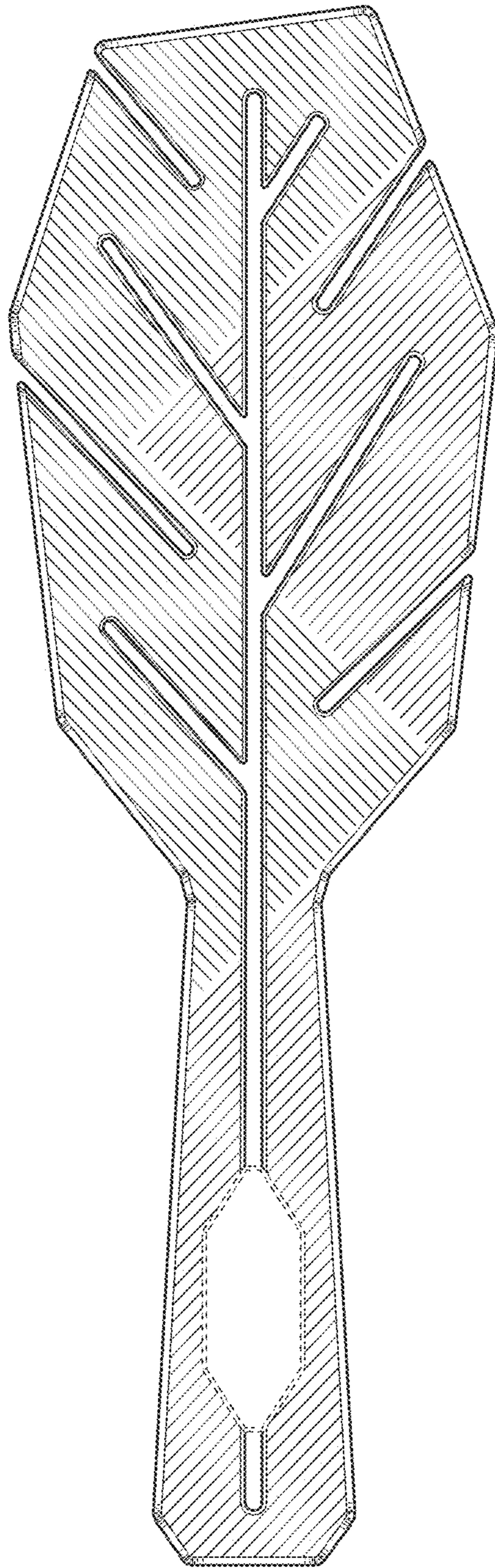


Fig. 2

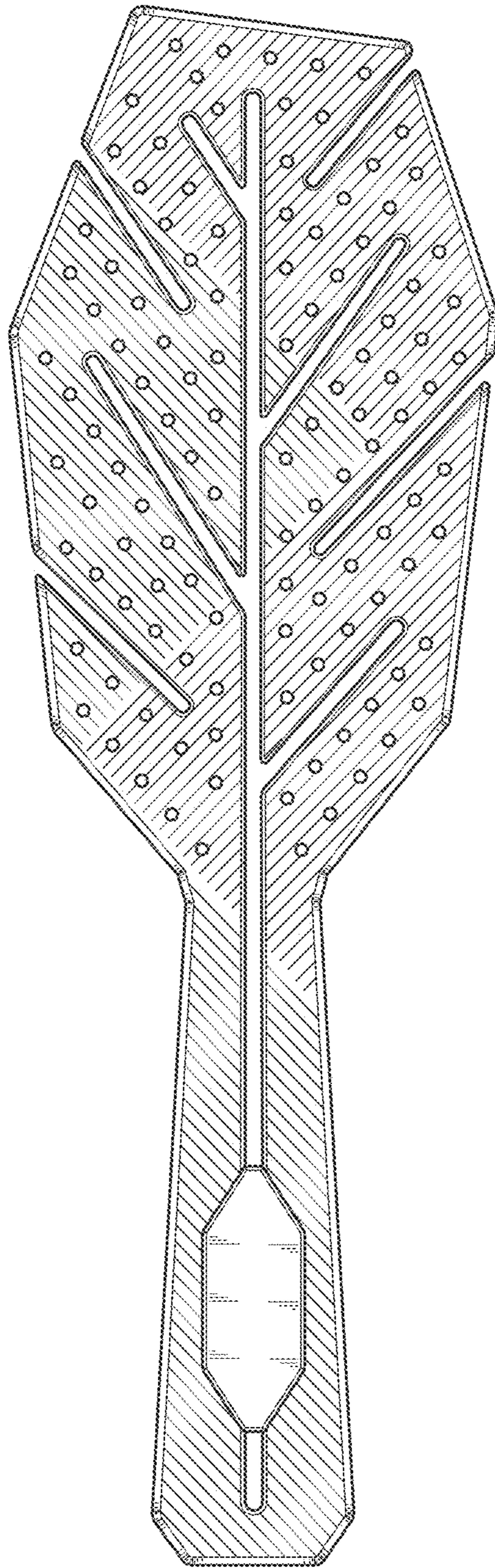


Fig. 3

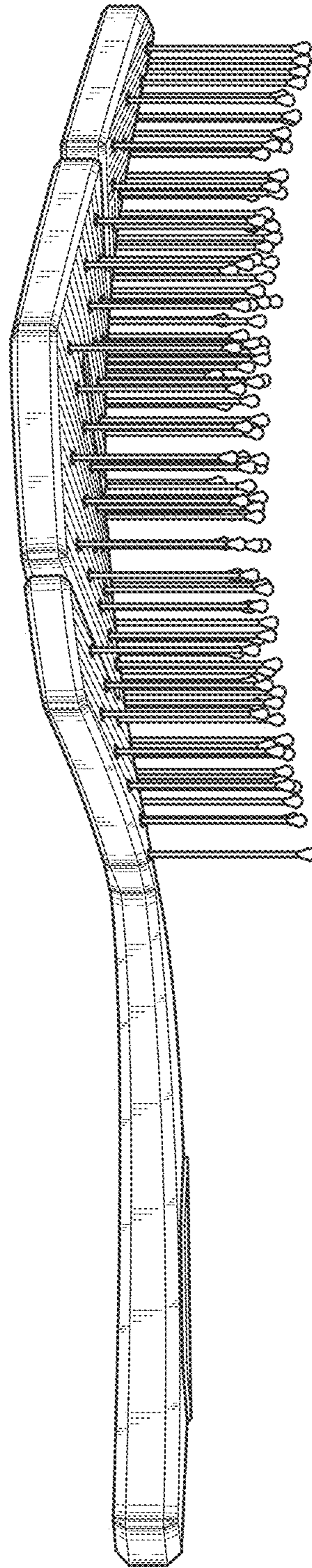


Fig. 4

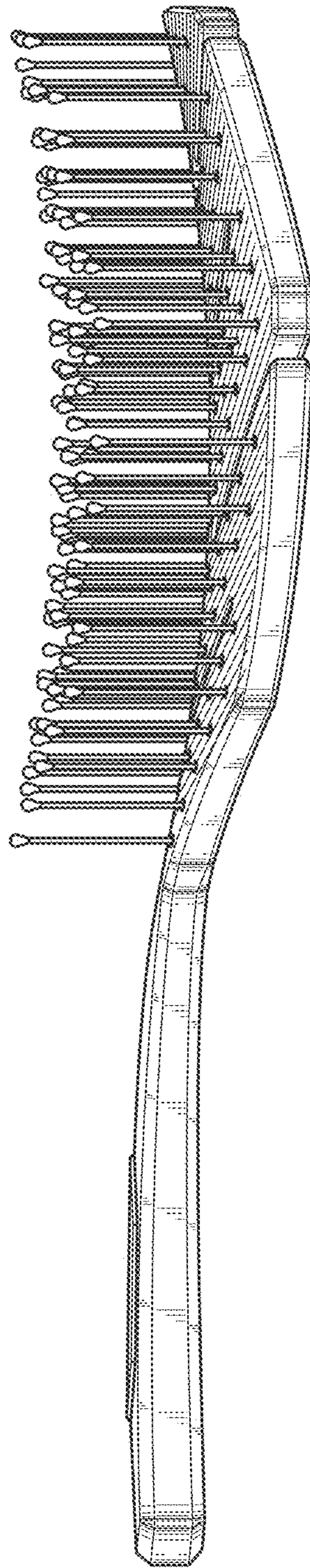


Fig. 5

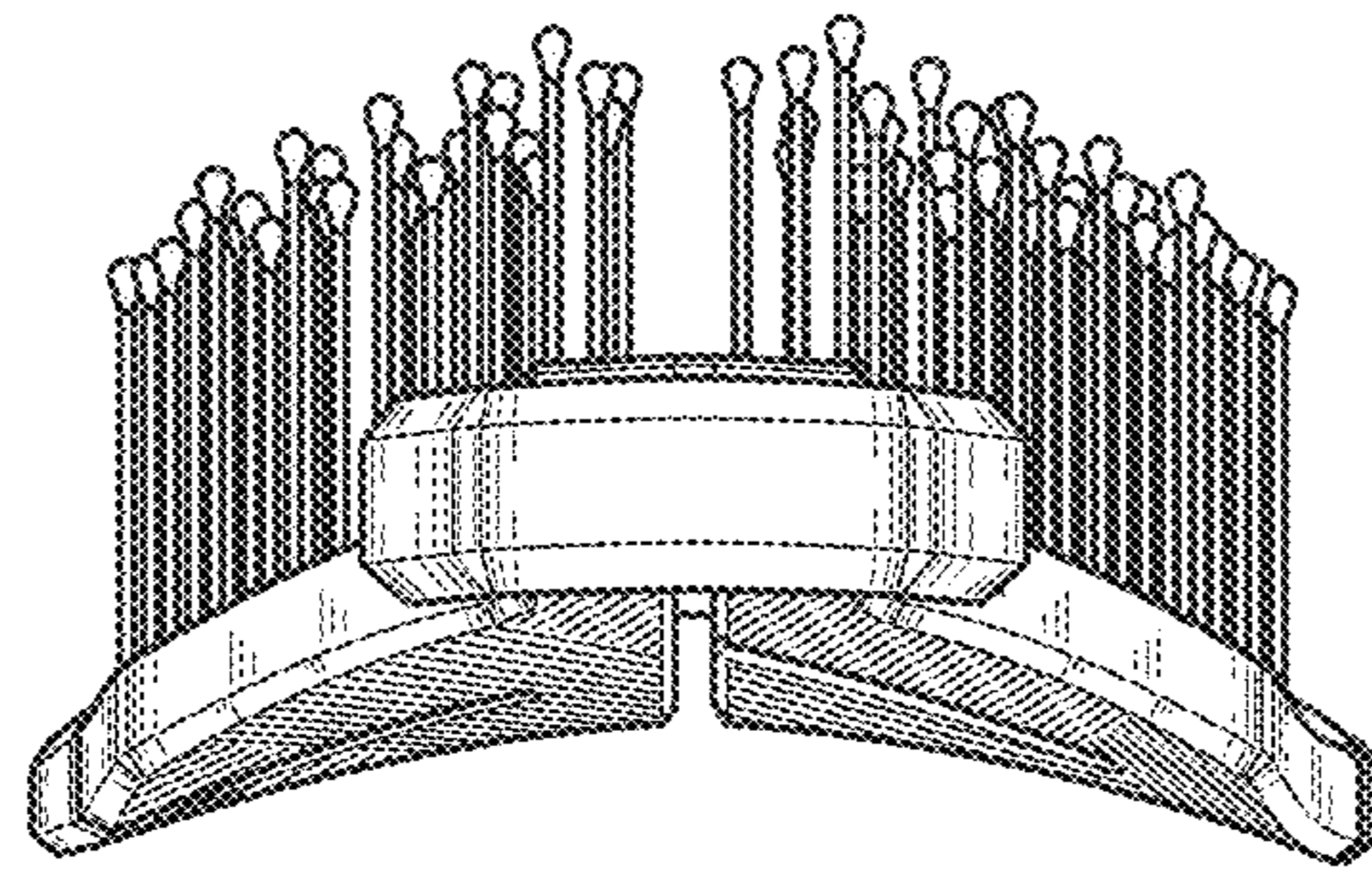


Fig. 6

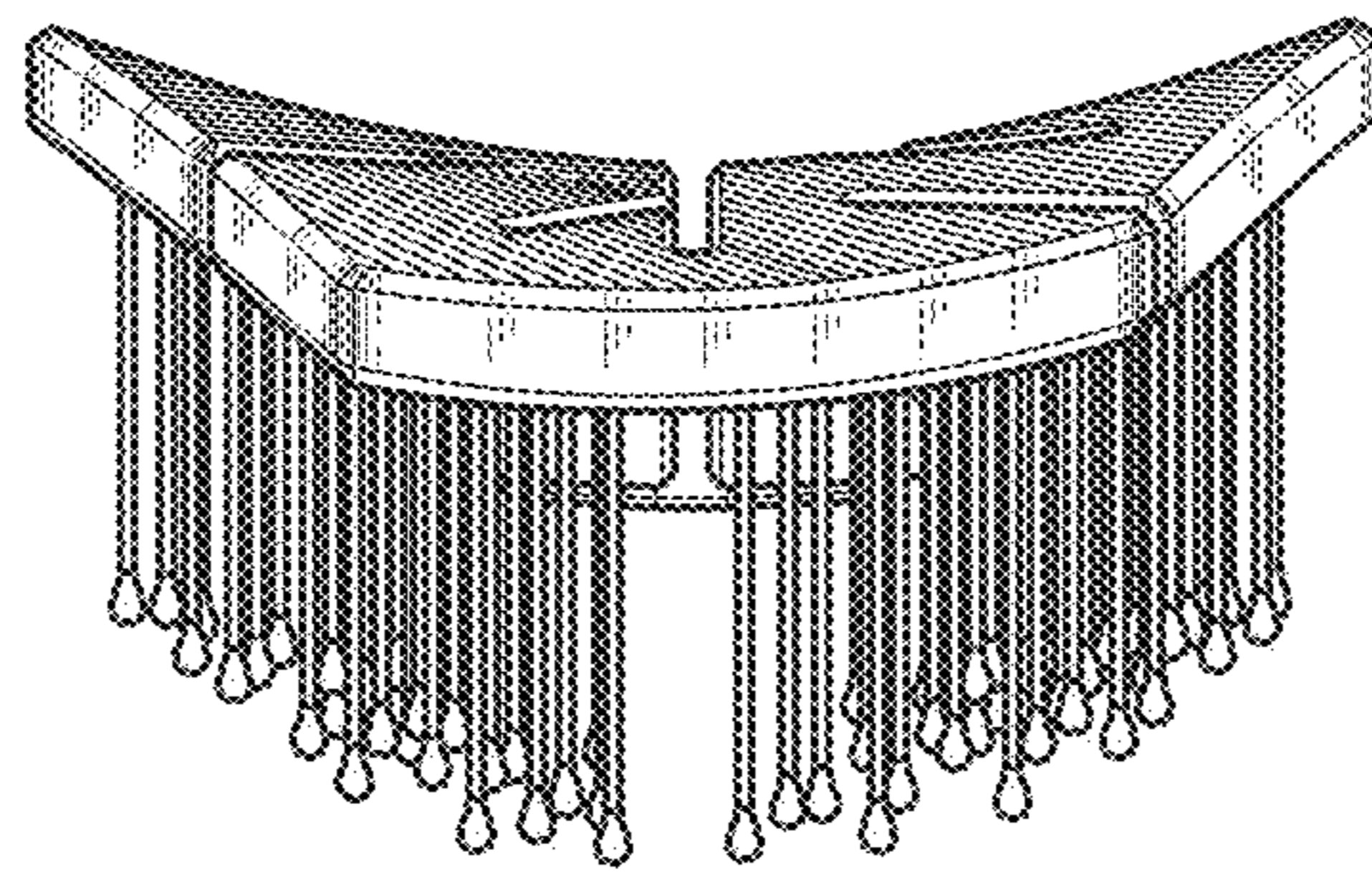


Fig. 7