



US00D984140S

(12) **United States Design Patent** (10) **Patent No.:** **US D984,140 S**
Xie (45) **Date of Patent:** **** Apr. 25, 2023**

(54) **BRUSH**

(71) Applicant: **SHENZHEN JOYREN MATERNAL AND BABY PRODUCTS CO., LTD,** Shenzhen (CN)

(72) Inventor: **Qiong Xie,** Shenzhen (CN)

(73) Assignee: **SHENZHEN JOYREN MATERNAL AND BABY PRODUCTS CO., LTD,** Shenzhen (CN)

(**) Term: **15 Years**

(21) Appl. No.: **29/782,509**

(22) Filed: **May 7, 2021**

(51) **LOC (14) Cl.** **04-01**

(52) **U.S. Cl.**
USPC **D4/117**

(58) **Field of Classification Search**
USPC D4/116, 117, 120, 121, 127, 128, 130, D4/132-134, 138; D28/21, 23, 25, 28, D28/30

CPC .. A46B 3/18; A46B 5/00; A46B 9/021; A46B 11/00; A46B 11/0003; A46B 2200/1053; A45D 40/26; A45D 40/265

See application file for complete search history.

(56) **References Cited**

U.S. PATENT DOCUMENTS

1,922,347 A * 8/1933 Bear A45D 24/16 132/121
D104,029 S * 4/1937 Gray D4/120
D135,926 S * 7/1943 Spurgeon A45D 24/16 D4/117

D179,543 S * 1/1957 Mayer D4/134
D549,964 S * 9/2007 Roth D4/127
D562,564 S * 2/2008 King D4/133
D572,009 S * 7/2008 Meyhew D4/134
D720,933 S * 1/2015 Albers D4/120
D803,574 S * 11/2017 Munitz D4/130
D905,970 S * 12/2020 Rennette D4/134
D933,972 S * 10/2021 Long D4/134
D935,787 S * 11/2021 Ramos Rugel D4/127

OTHER PUBLICATIONS

Amazon-Colbiz; "Baby Hair Brush and Comb Set . . ."; [online] 'http://www.amazon.com/dp/B0936WWR6'; dated Apr. 22, 2021; accessed Jan. 11, 2023; 3pgs. (Year: 2021).*

* cited by examiner

Primary Examiner — Keli L Hill

(57) **CLAIM**

The ornamental design for a brush, as shown and described.

DESCRIPTION

FIG. 1 is a perspective view of a brush showing my new design;

FIG. 2 is another perspective view thereof;

FIG. 3 is a front elevational view thereof;

FIG. 4 is a rear elevational view thereof;

FIG. 5 is a left side elevational view thereof;

FIG. 6 is a right side elevational view thereof;

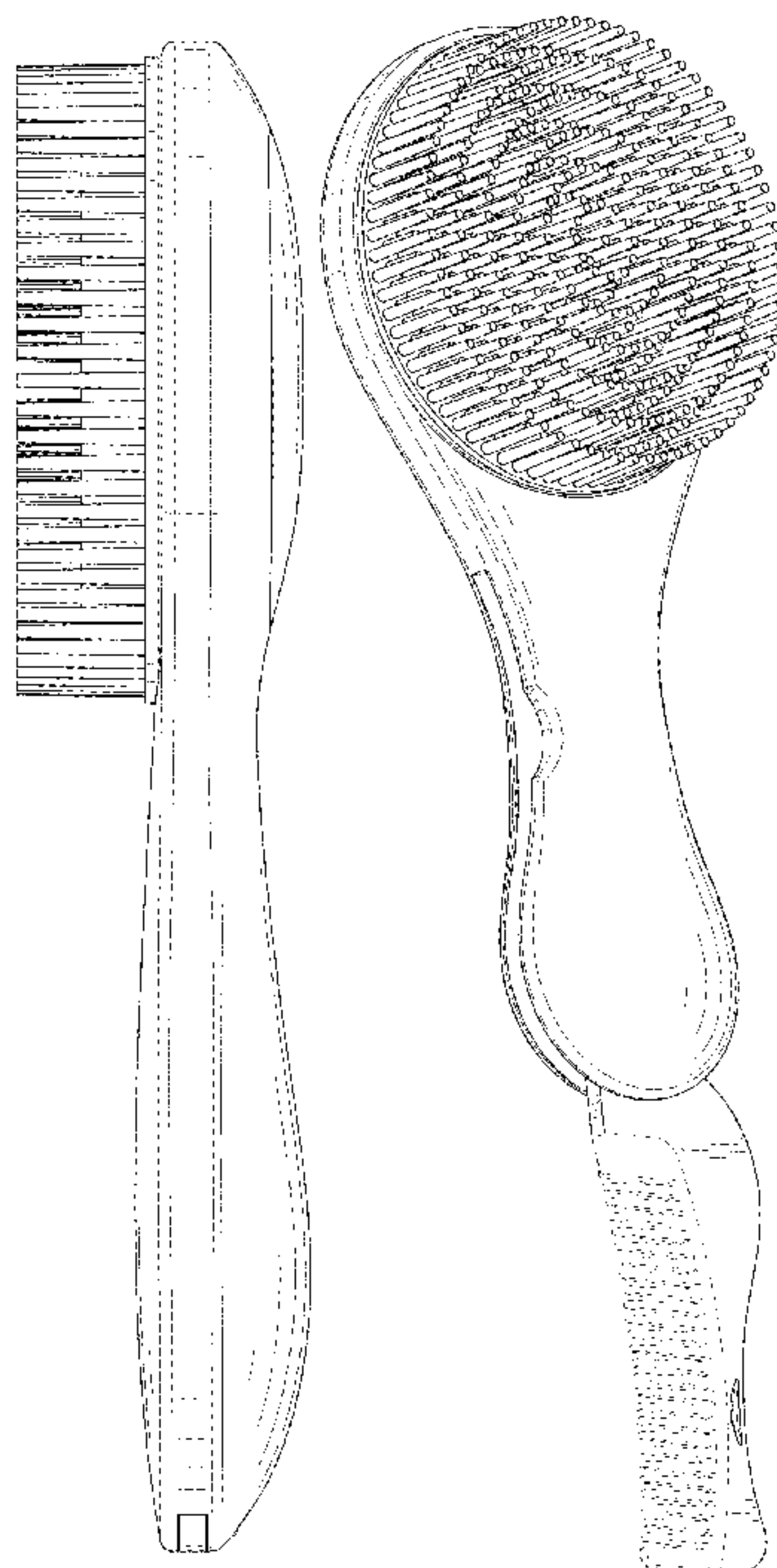
FIG. 7 is a top plan view thereof;

FIG. 8 is a bottom plan view thereof; and,

FIG. 9 is a perspective view of the brush where the brush is in a configuration of use.

The broken lines in the drawings depict portions of the brush that form no part of the claimed design.

1 Claim, 9 Drawing Sheets



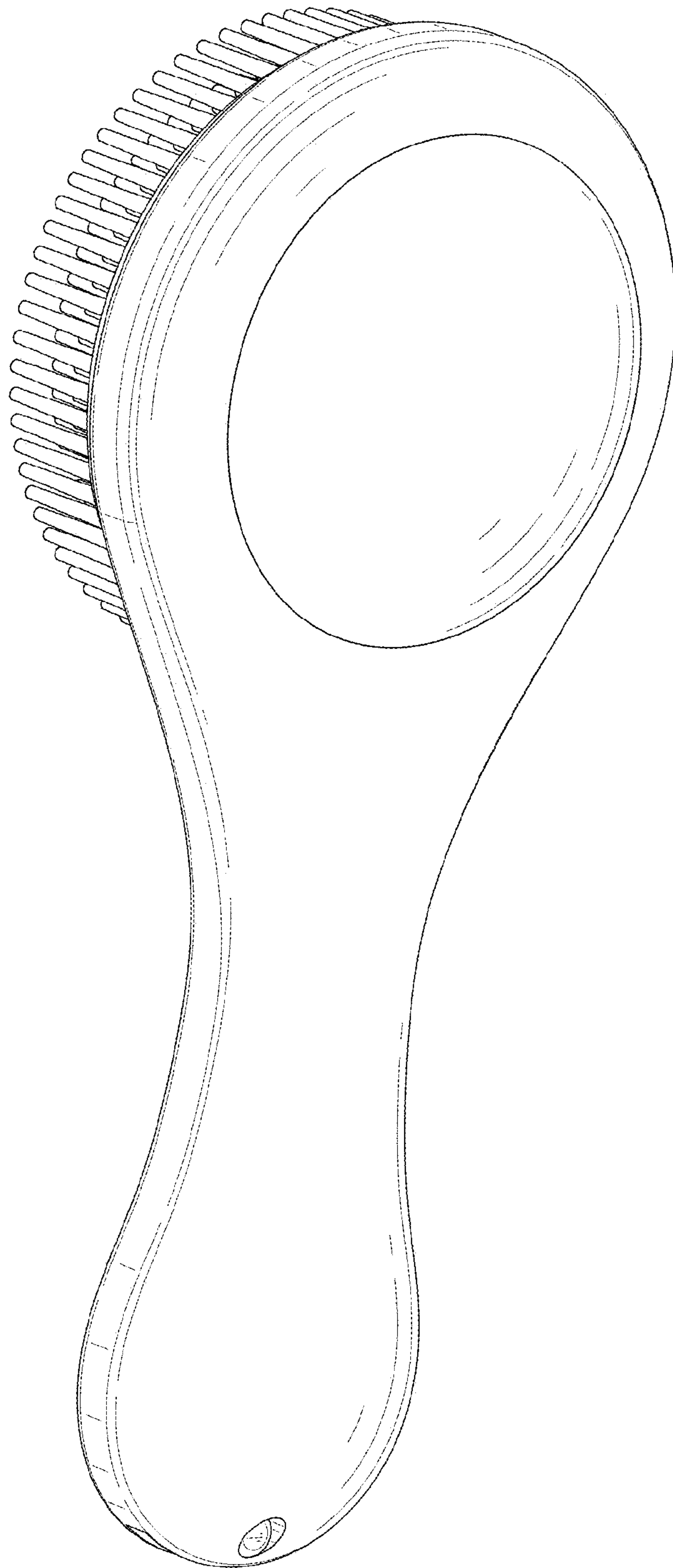


FIG. 1

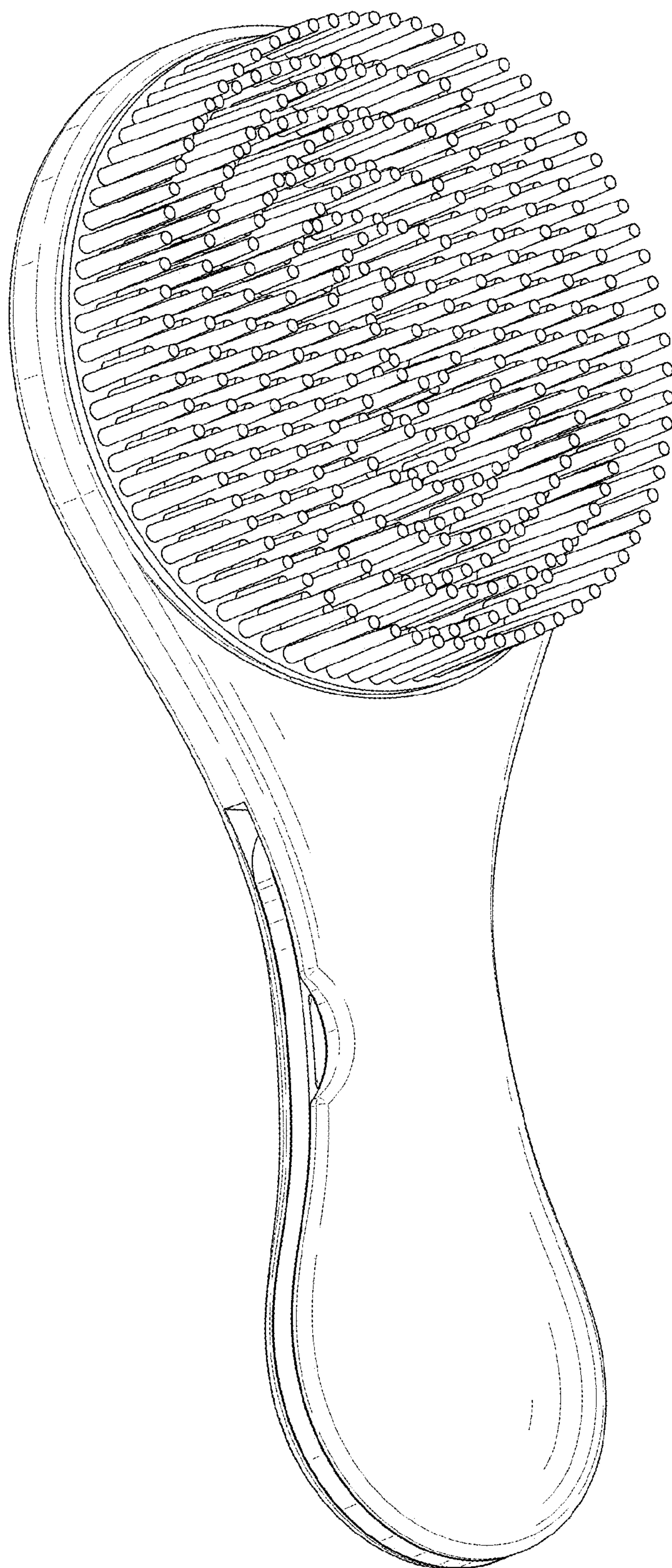


FIG. 2

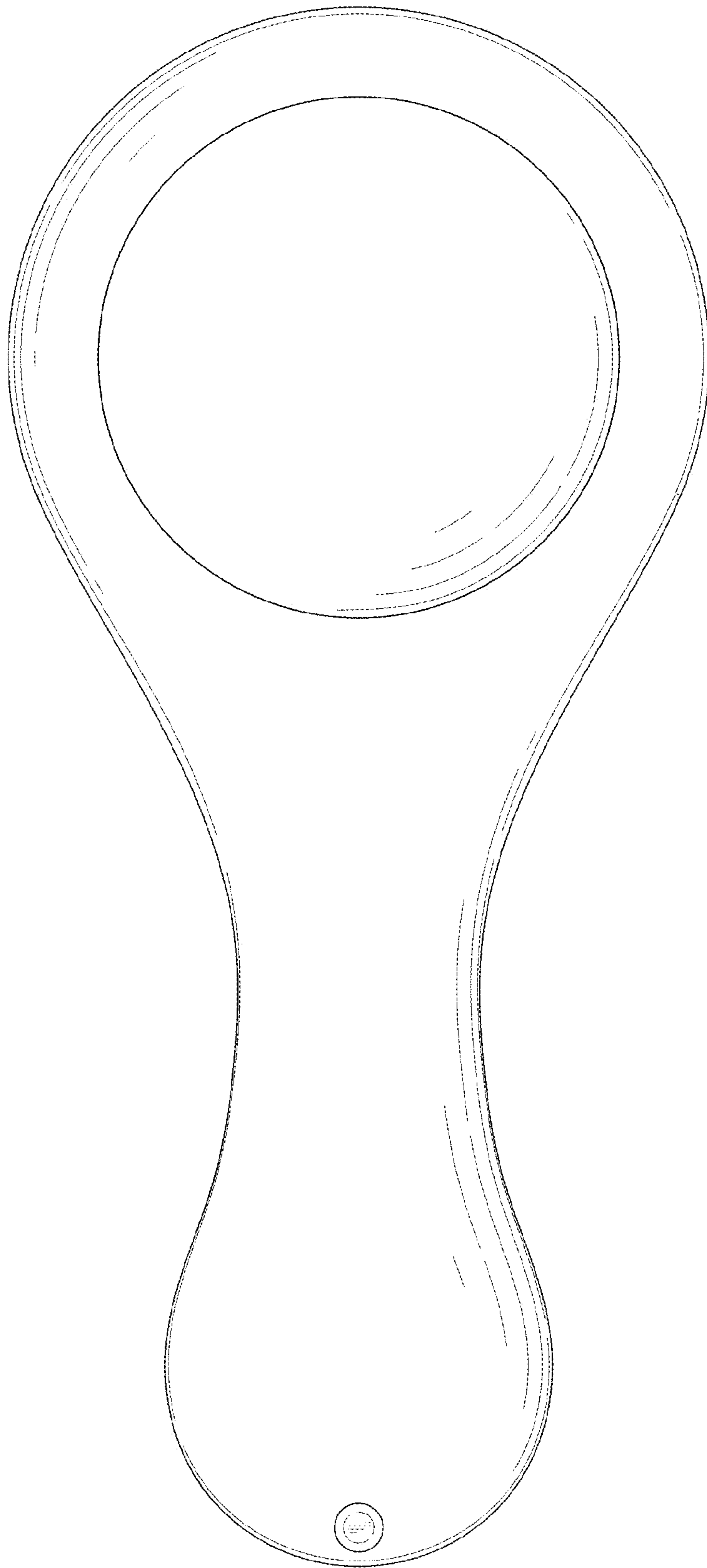


FIG. 3

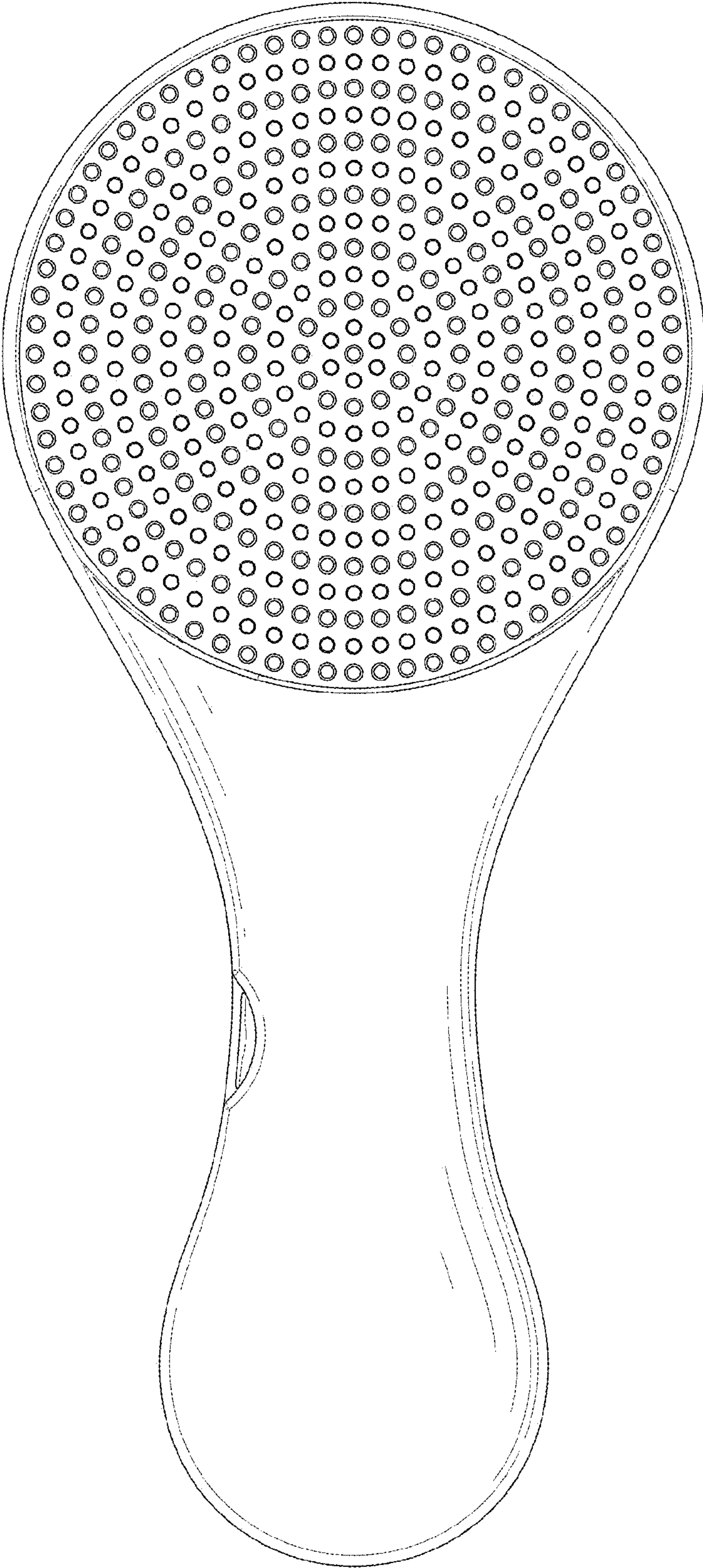


FIG. 4

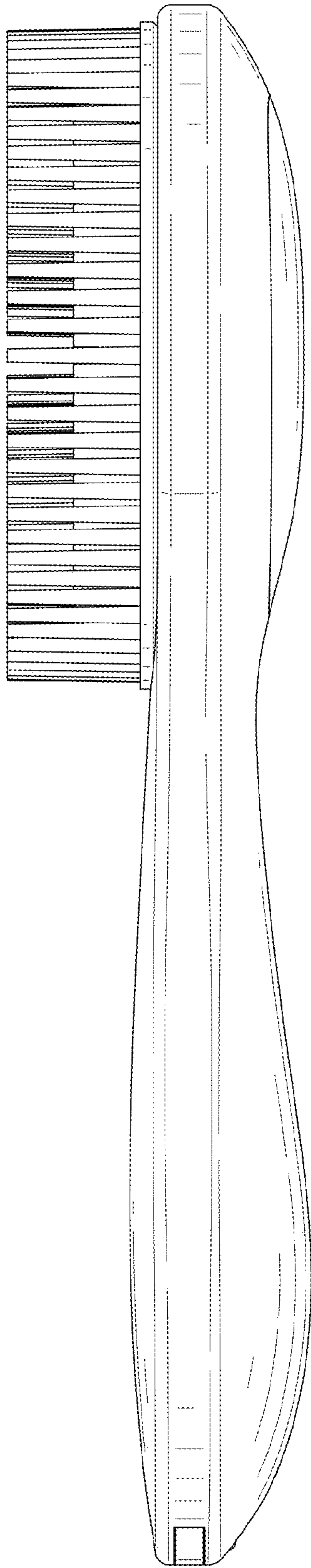


FIG. 5

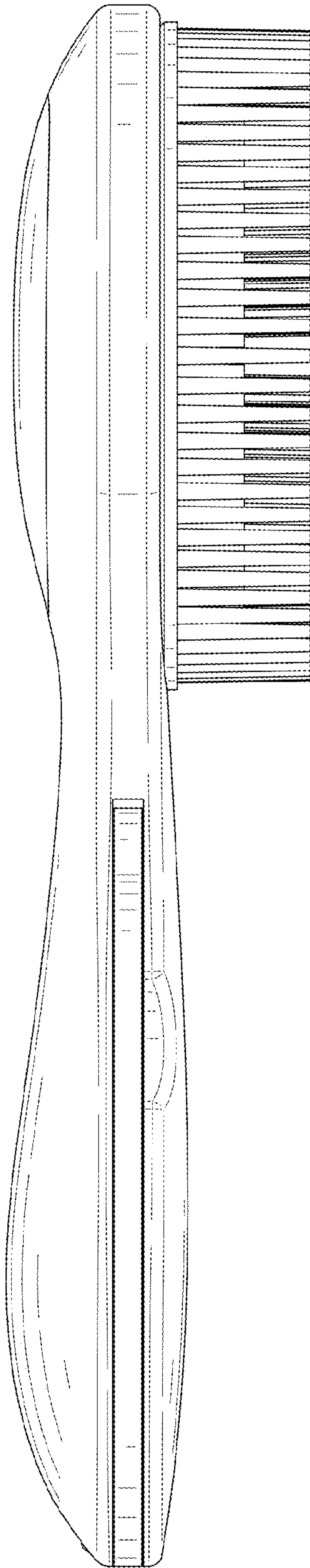


FIG. 6

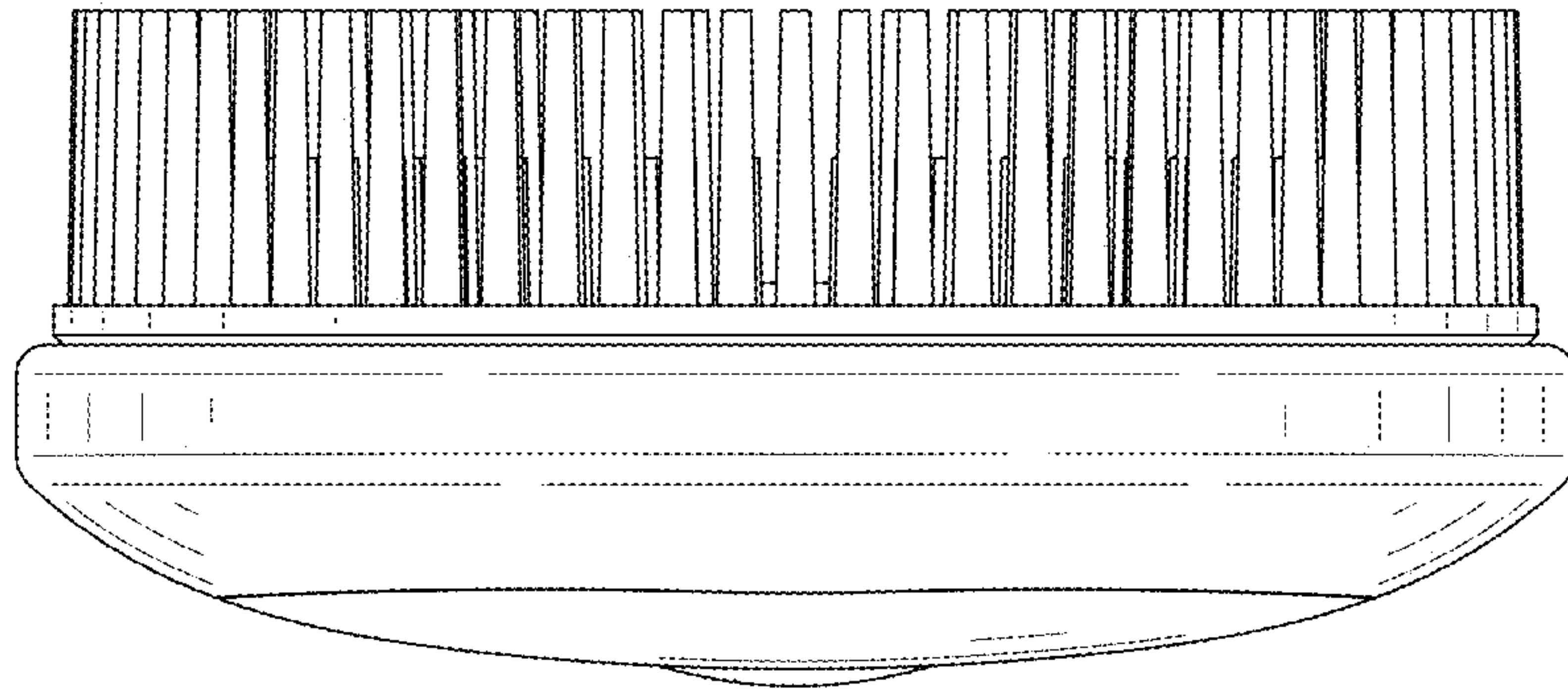


FIG. 7

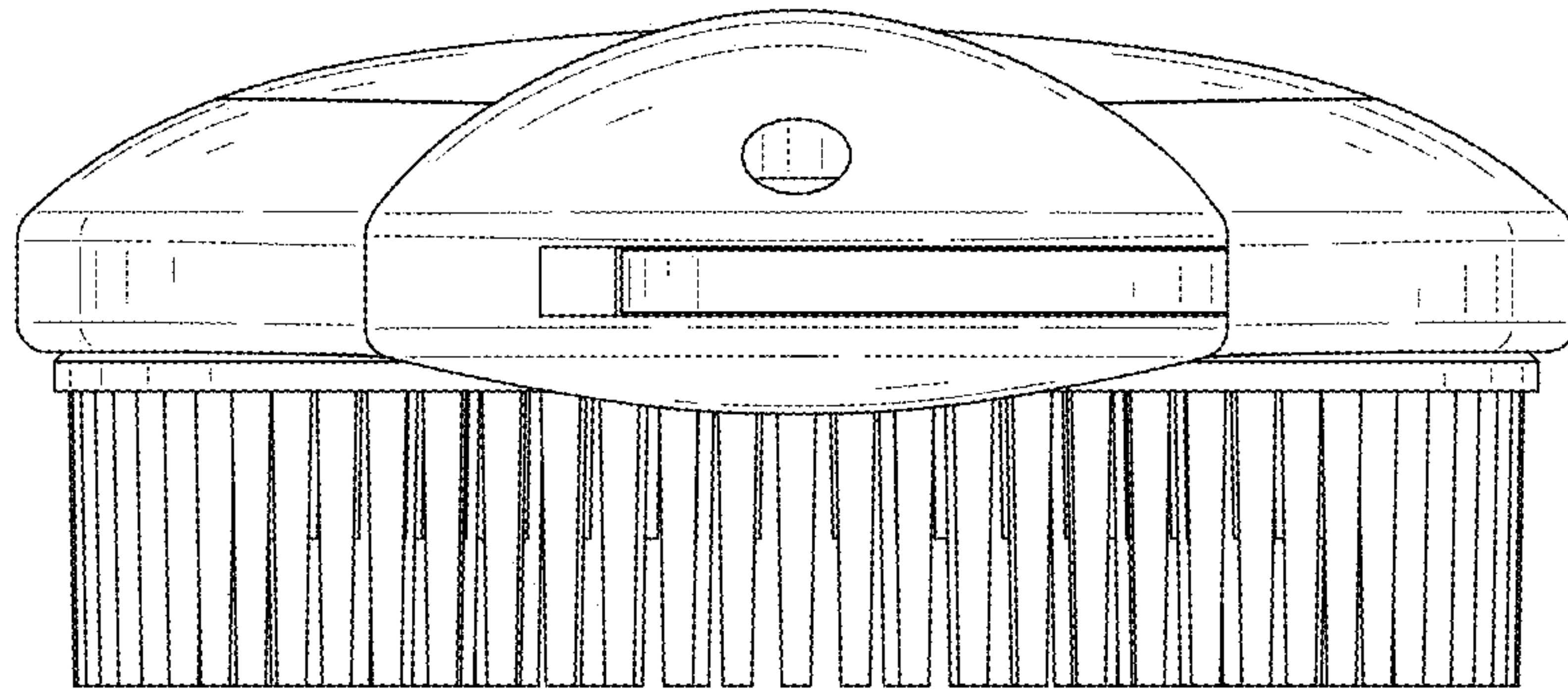


FIG. 8

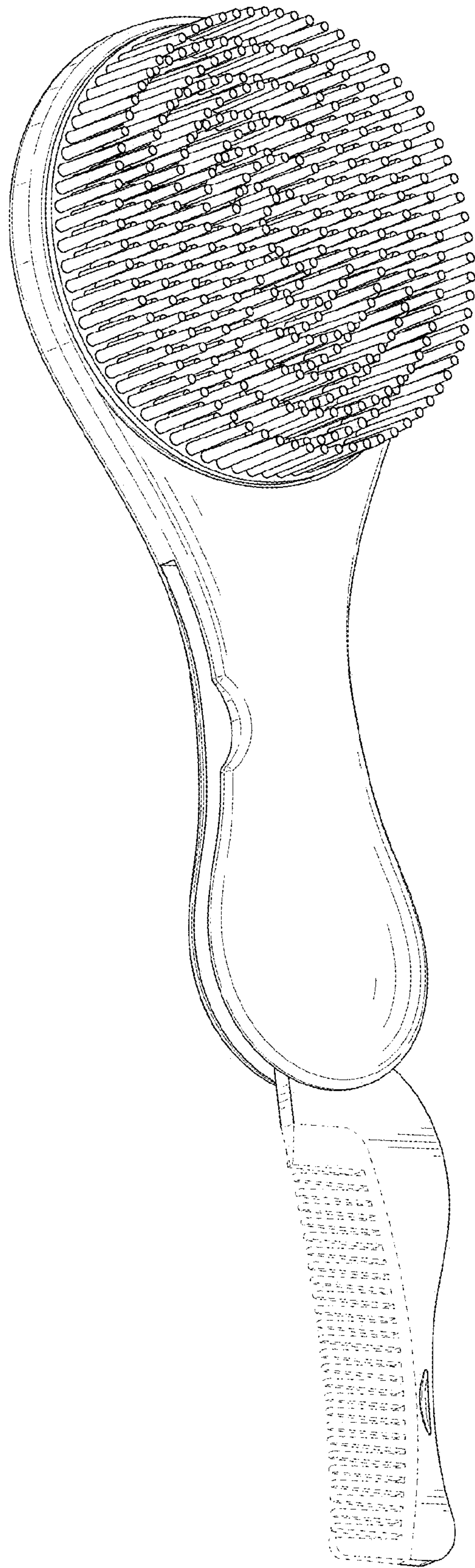


FIG. 9