



US00D984136S

(12) **United States Design Patent**
Albay et al.

(10) **Patent No.:** **US D984,136 S**

(45) **Date of Patent:** **** *Apr. 25, 2023**

(54) **HEAD FOR ELECTRIC TOOTHBRUSH**

CPC . A46B 2200/1066; A46B 9/04; A61C 17/222;
A61C 17/24; A61C 17/26
See application file for complete search history.

(71) Applicant: **Braun GmbH**, Kronberg (DE)

(72) Inventors: **Devran Albay**, Frankfurt (DE); **Moritz Carlo Honisch**, Frankfurt (DE); **Dominik Langhammer**, Frankfurt (DE); **Niclas Altmann**, Schöneck (DE); **Siegfried Bauernfeind**, Frankfurt am Main (DE); **Bianka Becker-Salzsäuler**, Kronberg (DE); **Ulrich Störkel**, Bad Nauheim (DE)

(73) Assignee: **Braun GmbH**, Kronberg (DE)

(*) Notice: This patent is subject to a terminal disclaimer.

(**) Term: **15 Years**

(21) Appl. No.: **29/758,274**

(22) Filed: **Nov. 13, 2020**

Related U.S. Application Data

(62) Division of application No. 29/646,252, filed on May 2, 2018.

(30) **Foreign Application Priority Data**

Nov. 2, 2017 (WO) 5250601

(51) **LOC (14) Cl.** **28-03**

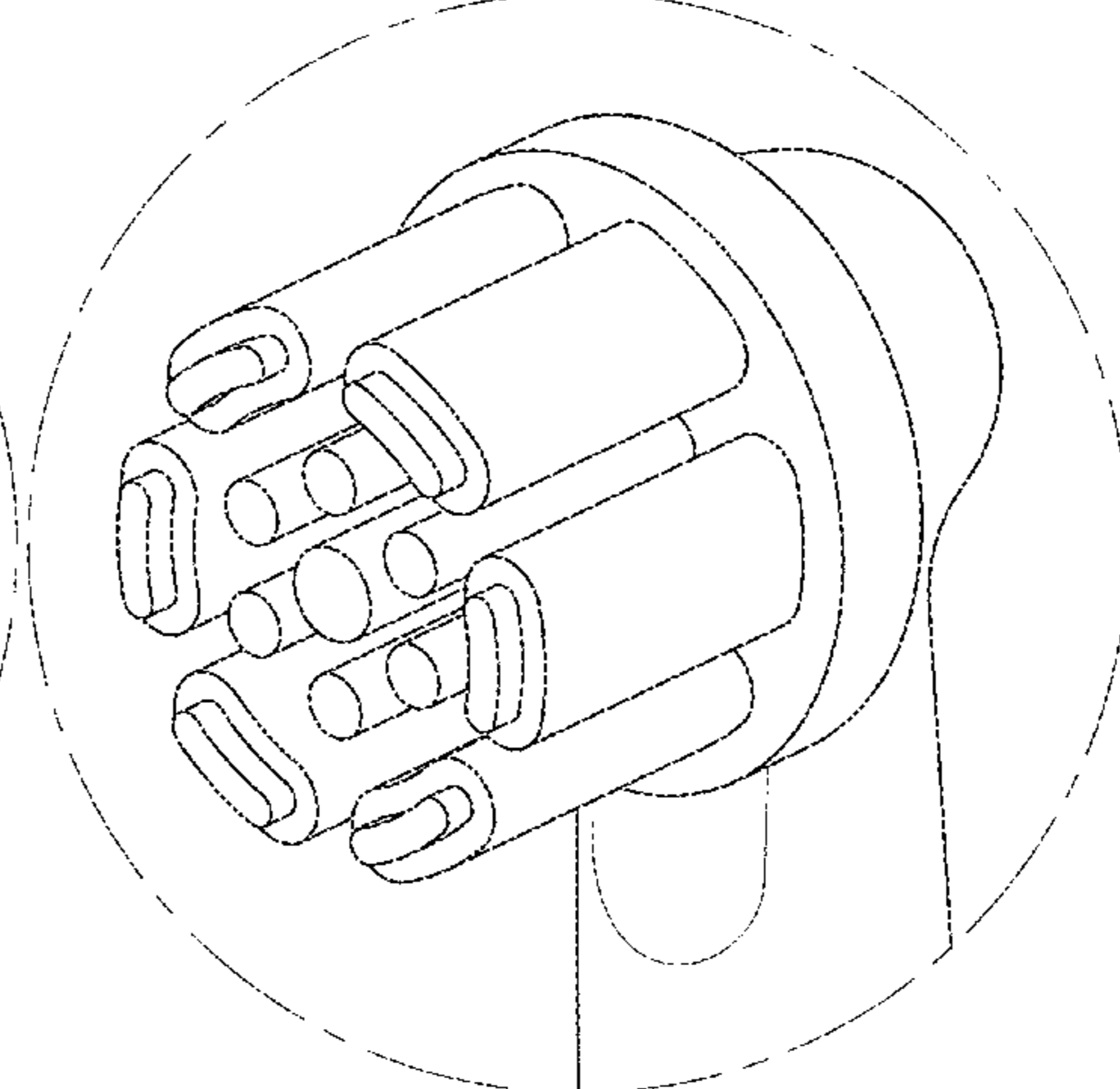
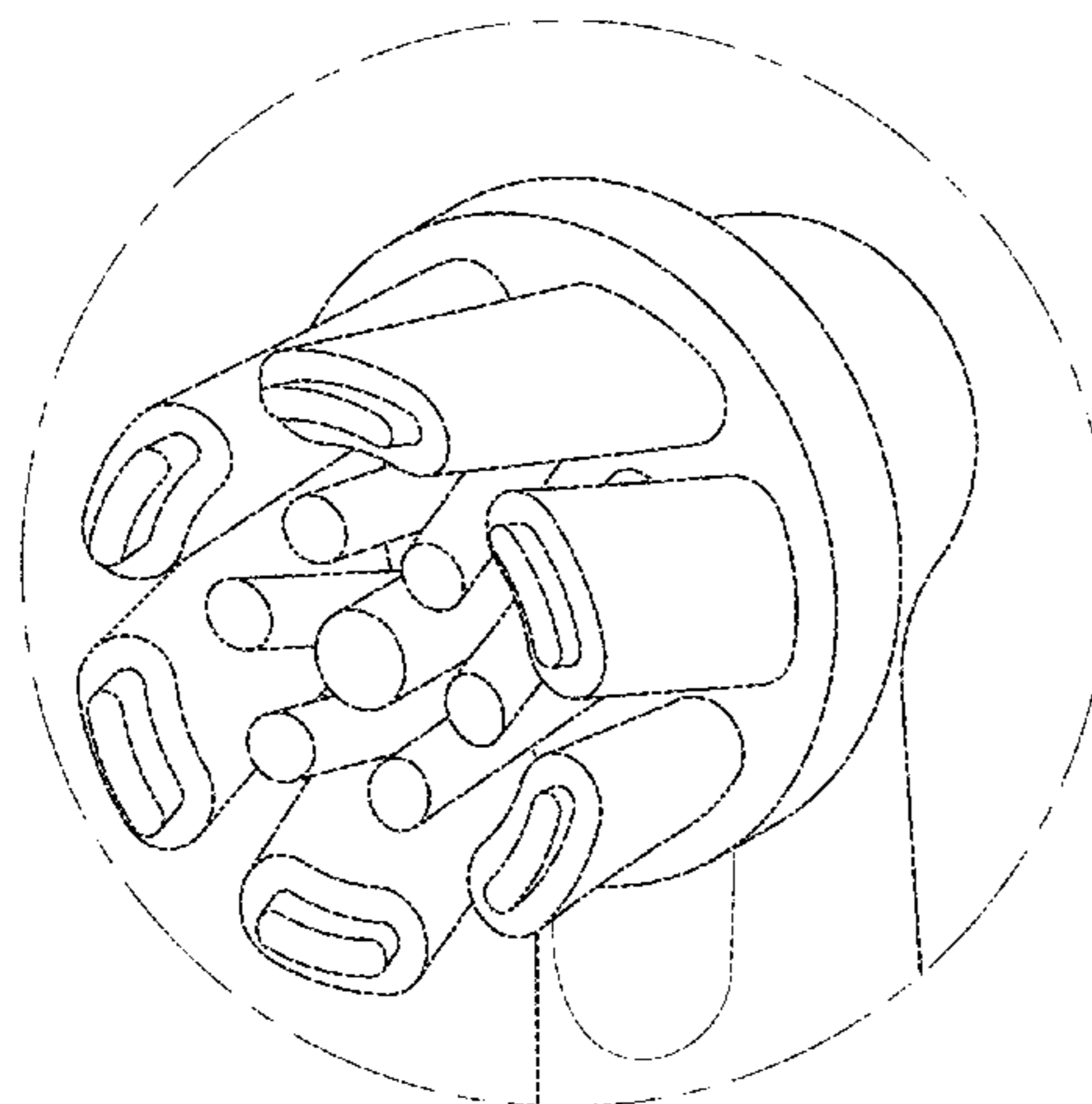
(52) **U.S. Cl.**
USPC **D4/101**

(58) **Field of Classification Search**
USPC D4/100, 101, 102, 104, 105, 106, 107,
D4/108; 15/167.1

(56) **References Cited**

U.S. PATENT DOCUMENTS

2,242,743 A	5/1941	McCarthy	
D373,903 S	9/1996	Stutzer et al.	
D454,251 S	3/2002	De et al.	
D456,607 S *	5/2002	Carlucci	D4/101
D465,655 S	11/2002	Kraemer	
6,751,823 B2	6/2004	Biro	
6,957,468 B2 *	10/2005	Driesen	A46B 3/08 15/167.1
D515,816 S	2/2006	Jimenez et al.	
D533,720 S	12/2006	Vu	
7,520,016 B2	4/2009	Kressner	
D607,646 S	1/2010	Ino	
7,788,756 B2	9/2010	Kraemer	
D657,954 S	4/2012	Gebski	
D658,381 S	5/2012	Gebski	
D658,383 S	5/2012	Key et al.	
D676,663 S	2/2013	Ptok et al.	
D687,636 S *	8/2013	Driesen	D4/101
D689,697 S	9/2013	Doumoto et al.	
8,769,758 B2	7/2014	Jungnickel et al.	
D717,547 S	11/2014	Adriaenssen et al.	
D718,057 S	11/2014	Massee et al.	
D719,737 S	12/2014	Adriaenssen et al.	
D734,614 S	7/2015	Driesen	
D749,851 S	2/2016	Watkins	
D752,868 S	4/2016	Mcgarry et al.	
D759,381 S	6/2016	Watkins	
D759,382 S	6/2016	Watkins	
9,402,461 B2	8/2016	Brik	
D766,581 S	9/2016	Bloch et al.	
D767,895 S	10/2016	Stebila et al.	
D771,388 S	11/2016	Since	
D773,822 S	12/2016	Sikora et al.	
D775,469 S	1/2017	Sikora et al.	
D787,189 S	5/2017	Fretwell et al.	
D790,859 S	7/2017	Mcgarry et al.	
D791,485 S	7/2017	Mcgarry et al.	
D795,419 S	8/2017	Kohler	
9,724,181 B2 *	8/2017	Schaefer	A61C 17/34
D799,217 S	10/2017	Massee	
9,788,926 B2	10/2017	Franke	
D801,696 S	11/2017	Mcgarry et al.	
9,865,184 B2	1/2018	Jungnickel et al.	
D814,195 S	4/2018	Sikora et al.	
D819,337 S	6/2018	Yuan et al.	



D819,973 S	6/2018	Greve et al.	
D824,174 S	7/2018	Altmann et al.	
D824,175 S	7/2018	Yan	
D831,358 S	10/2018	Altmann et al.	
10,123,609 B2	11/2018	Dishon	
D838,991 S	1/2019	Choi et al.	
D844,995 S	4/2019	Wong et al.	
D845,636 S	4/2019	Porter et al.	
10,376,039 B2	8/2019	Jungnickel	
D861,351 S	10/2019	Albay et al.	
D863,772 S *	10/2019	Hu	D4/101
D863,773 S *	10/2019	Hu	D4/101
D868,482 S *	12/2019	Papazian	D4/104
D874,156 S *	2/2020	Altmann	D4/127
D874,830 S	2/2020	Choi et al.	
D884,351 S	5/2020	Albay et al.	
D884,354 S	5/2020	Albay et al.	
10,667,892 B2	6/2020	Bärtschi	
D890,528 S	7/2020	Albay et al.	
D894,610 S	9/2020	Albay et al.	
10,869,742 B2	12/2020	Fritsch et al.	
D906,688 S	1/2021	Porter et al.	
D907,369 S *	1/2021	Yang	D4/101
D912,989 S	3/2021	Albay et al.	
11,103,054 B2 *	8/2021	Altmann	A46B 9/025
D930,989 S	9/2021	Albay et al.	
D932,777 S	10/2021	Albay et al.	
D933,368 S	10/2021	Albay et al.	
2009/0013489 A1	1/2009	Binet	
2012/0124759 A1	5/2012	Fritsch	
2017/0128178 A1	5/2017	Schmidt et al.	
2018/0021116 A1	1/2018	Störkel	
2019/0125065 A1	5/2019	Altmann	
2020/0368003 A1 *	11/2020	Claire-Zimmet ..	A46B 15/0022
2020/0397130 A1	12/2020	Ganninger et al.	
2020/0397134 A1	12/2020	Ganninger et al.	
2020/0397136 A1	12/2020	Ganninger et al.	
2020/0397137 A1	12/2020	Ganninger et al.	
2021/0045857 A1	2/2021	Fritsch et al.	
2021/0145539 A1	5/2021	Greve	

FOREIGN PATENT DOCUMENTS

CN	302898215 S	8/2014
EM	003175470-0002	7/2016
EM	004362952-0001	9/2017
JP	1232984 S	3/2005
JP	1620904 S	12/2018
RU	93878 S	6/2015
WO	093043	6/2017

OTHER PUBLICATIONS

All Office Actions, U.S. Appl. No. 29/646,252.
 U.S. Appl. No. 29/646,252, filed May 2, 2018, Devran Albay et al.
 U.S. Appl. No. 29/758,249, filed Nov. 13, 2020, Devran Albay et al.
 U.S. Appl. No. 29/758,251, filed Nov. 13, 2020, Devran Albay et al.
 U.S. Appl. No. 29/758,276, filed Nov. 13, 2020, Devran Albay et al.
 U.S. Appl. No. 29/743,560, filed Jul. 22, 2020, Devran Albay et al.
 U.S. Appl. No. 29/758,268, filed Nov. 13, 2020, Devran Albay et al.
 U.S. Appl. No. 29/699,695, filed Jul. 29, 2019, Niclas Altmann et al.
 U.S. Appl. No. 29/786,732, filed Jun. 2, 2021, Devran Albay et al.
 U.S. Appl. No. 29/786,746, filed Jun. 2, 2021, Devran Albay et al.
 U.S. Appl. No. 29/794,152, filed Jun. 10, 2021, Devran Albay et al.
 All Office Actions; U.S. Appl. No. 29/699,695, filed Jul. 29, 2019.
 All Office Actions; U.S. Appl. No. 29/743,560, filed Jul. 22, 2020.
 All Office Actions; U.S. Appl. No. 29/758,249, filed Nov. 13, 2020.
 All Office Actions; U.S. Appl. No. 29/758,251, filed Nov. 13, 2020.
 All Office Actions; U.S. Appl. No. 29/758,268, filed Nov. 13, 2018.
 All Office Actions; U.S. Appl. No. 29/758,276, filed Nov. 13, 2020.
 All Office Actions; U.S. Appl. No. 29/786,732, filed Jun. 2, 2021.
 All Office Actions; U.S. Appl. No. 29/786,746, filed Jun. 2, 2021.
 All Office Actions; U.S. Appl. No. 29/794,152, filed Jun. 10, 2018.
 U.S. Appl. No. 29/836,682, filed Apr. 28, 2022, Niclas Altmann et al.

U.S. Appl. No. 29/836,827, filed Apr. 29, 2022, Niclas Altmann et al.
 All Office Actions; U.S. Appl. No. 29/836,682, filed Apr. 28, 2022.
 All Office Actions; U.S. Appl. No. 29/836,827, filed Apr. 29, 2022.

* cited by examiner

Primary Examiner — Karen E Eldridge Powers
 (74) *Attorney, Agent, or Firm* — Vladimir Vitenberg

(57) **CLAIM**

The ornamental design for a head for electric toothbrush, as shown and described.

DESCRIPTION

FIG. 1 is a front, top and left-side perspective view of a first embodiment of a head for electric toothbrush;
 FIG. 2 is a front elevational view thereof;
 FIG. 3 is a right-side elevational view thereof;
 FIG. 4 is a rear elevational view thereof;
 FIG. 5 is a left-side elevational view thereof;
 FIG. 6 is a top plan view thereof;
 FIG. 7 is a bottom plan view thereof;
 FIG. 8 is an enlarged detail view of the head for electric toothbrush thereof, taken from FIG. 1;
 FIG. 9 is an enlarged detail view of the head for electric toothbrush thereof, taken from FIG. 1, showing individual bristles;
 FIG. 10 is a front, top and left-side perspective view of a second embodiment of a head for electric toothbrush;
 FIG. 11 is a front elevational view thereof;
 FIG. 12 is a right-side elevational view thereof;
 FIG. 13 is a rear elevational view thereof;
 FIG. 14 is a left-side elevational view thereof;
 FIG. 15 is a top plan view thereof;
 FIG. 16 is a bottom plan view thereof;
 FIG. 17 is an enlarged detail view of the head for electric toothbrush thereof, taken from FIG. 10;
 FIG. 18 is a front, top and left-side perspective view of a third embodiment of a head for electric toothbrush;
 FIG. 19 is a front elevational view thereof;
 FIG. 20 is a right-side elevational view thereof;
 FIG. 21 is a rear elevational view thereof;
 FIG. 22 is a left-side elevational view thereof;
 FIG. 23 is a top plan view thereof;
 FIG. 24 is a bottom plan view thereof;
 FIG. 25 is an enlarged detail view of the head for electric toothbrush thereof, taken from FIG. 18;
 FIG. 26 is a front, top and left-side perspective view of a fourth embodiment of a head for electric toothbrush;
 FIG. 27 is a front elevational view thereof;
 FIG. 28 is a right-side elevational view thereof;
 FIG. 29 is a rear elevational view thereof;
 FIG. 30 is a left-side elevational view thereof;
 FIG. 31 is a top plan view thereof;
 FIG. 32 is a bottom plan view thereof;
 FIG. 33 is an enlarged detail view of the head for electric toothbrush thereof, taken from FIG. 26;
 FIG. 34 is a front, top and left-side perspective view of a fifth embodiment of a head for electric toothbrush;
 FIG. 35 is a front elevational view thereof;
 FIG. 36 is a right-side elevational view thereof;
 FIG. 37 is a rear elevational view thereof;
 FIG. 38 is a left-side elevational view thereof;
 FIG. 39 is a top plan view thereof;

FIG. **40** is a bottom plan view thereof; and,
FIG. **41** is an enlarged detail view of the head for electric toothbrush thereof, taken from FIG. **34**.
Broken lines are used in the drawings to designate environmental structures or parts of the head of the electric toothbrush that form no part of the claim.

1 Claim, 11 Drawing Sheets

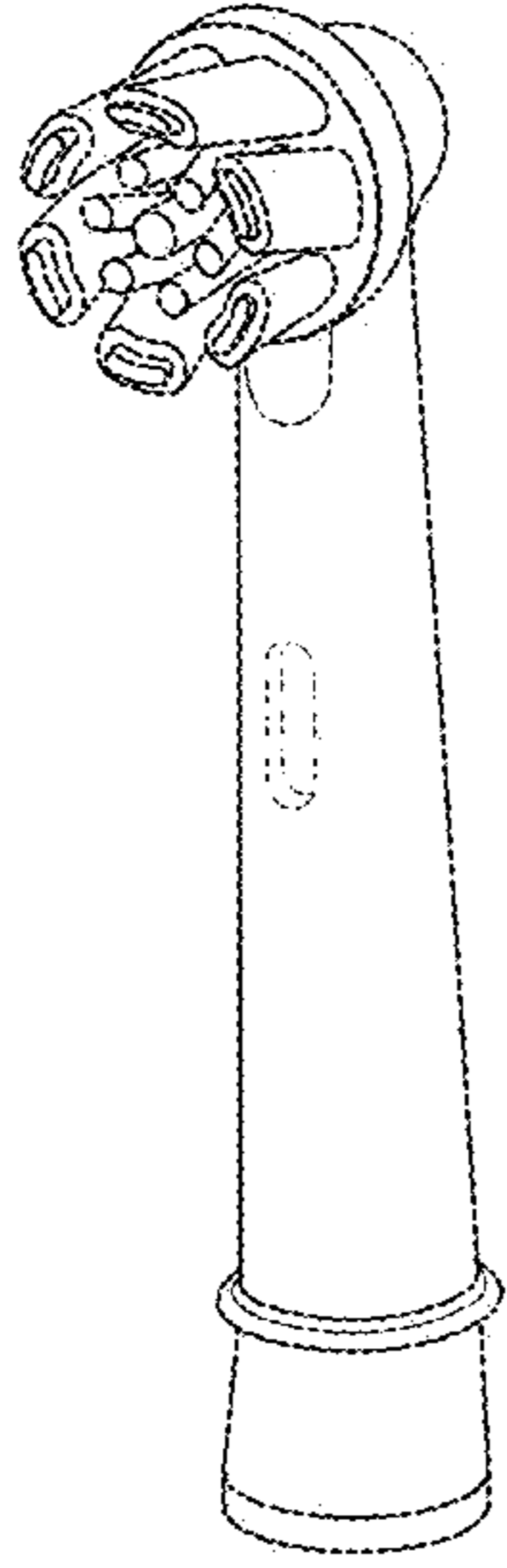


FIG. 1

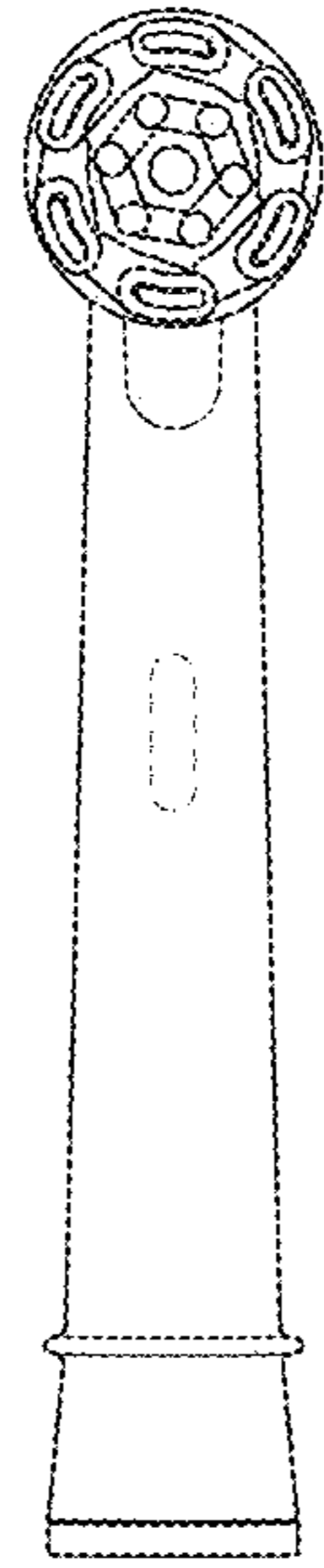


FIG. 2

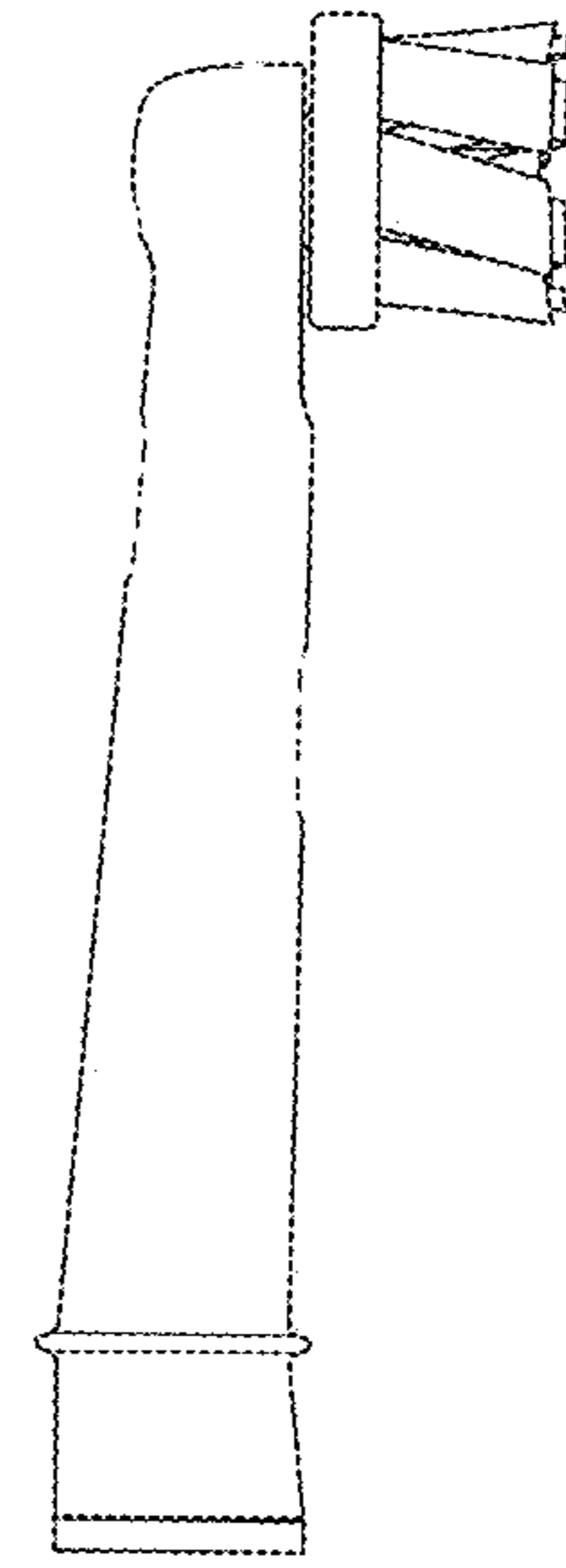


FIG. 3

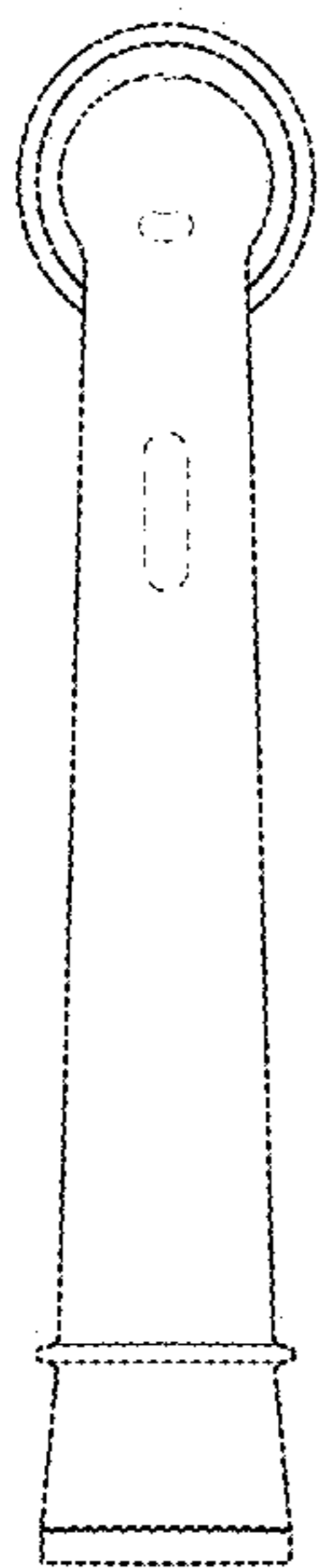


FIG. 4

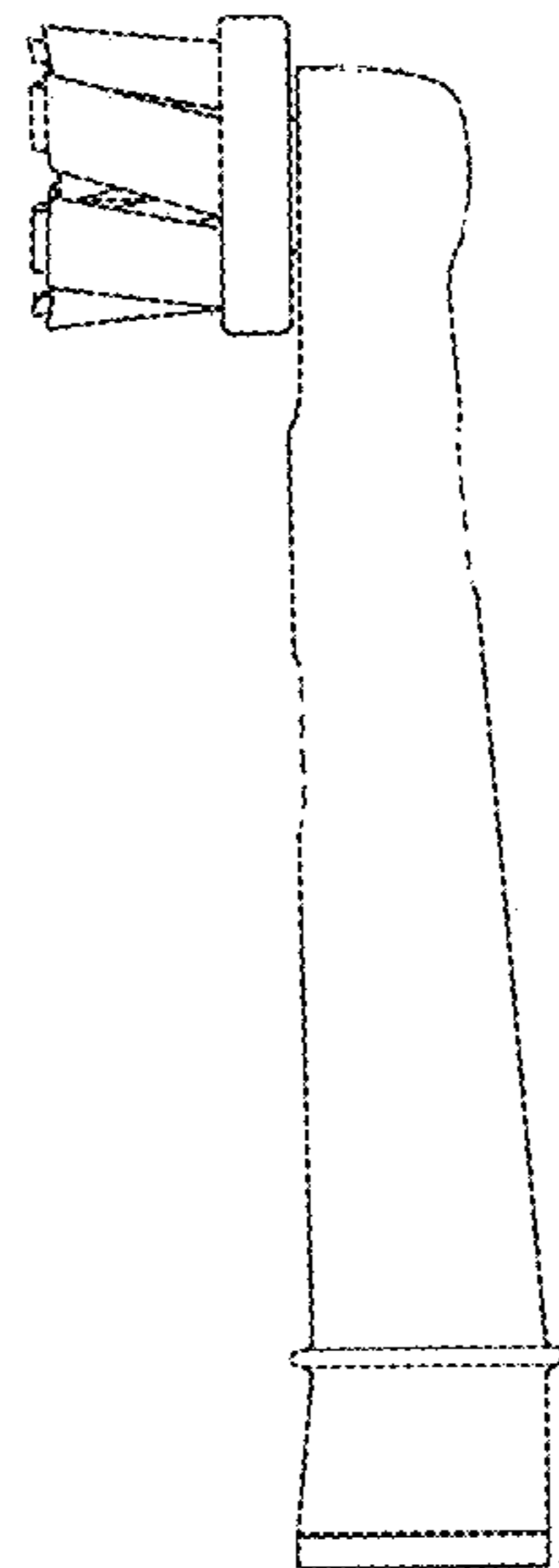


FIG. 5



FIG. 6

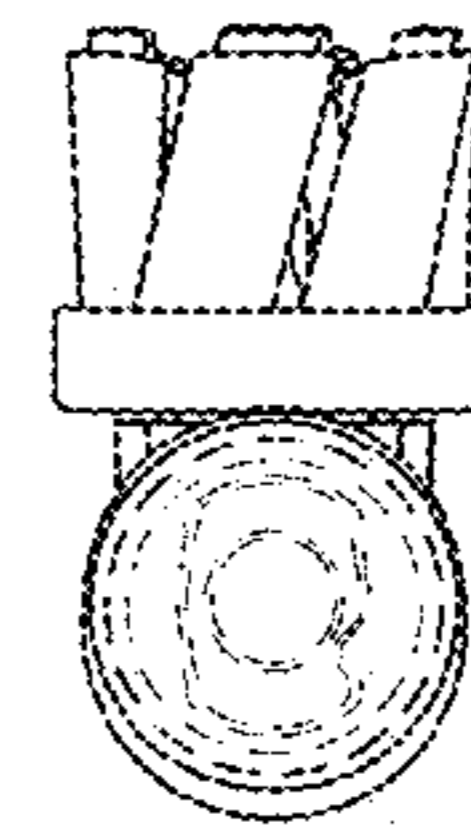


FIG. 7

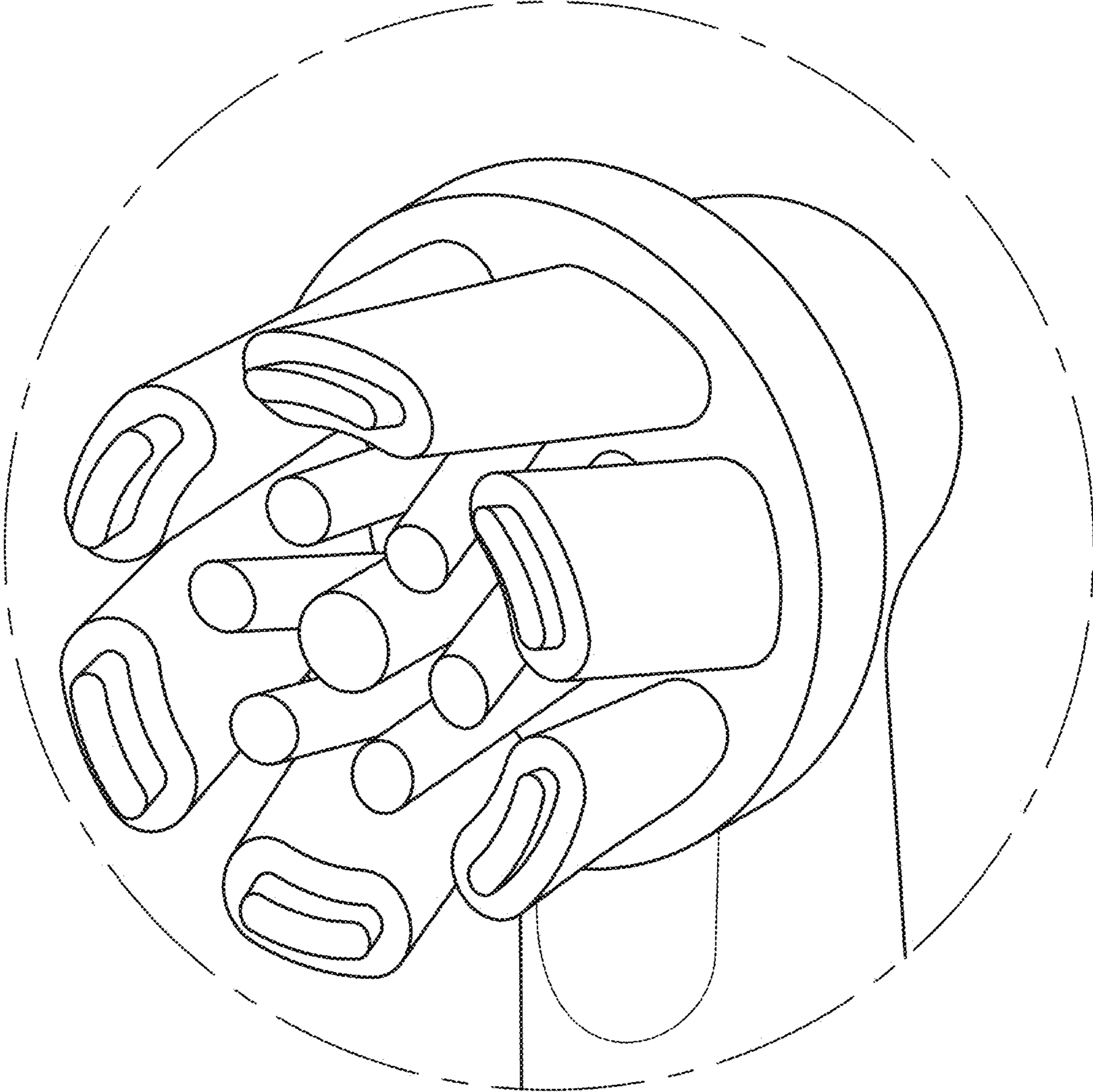


FIG. 8

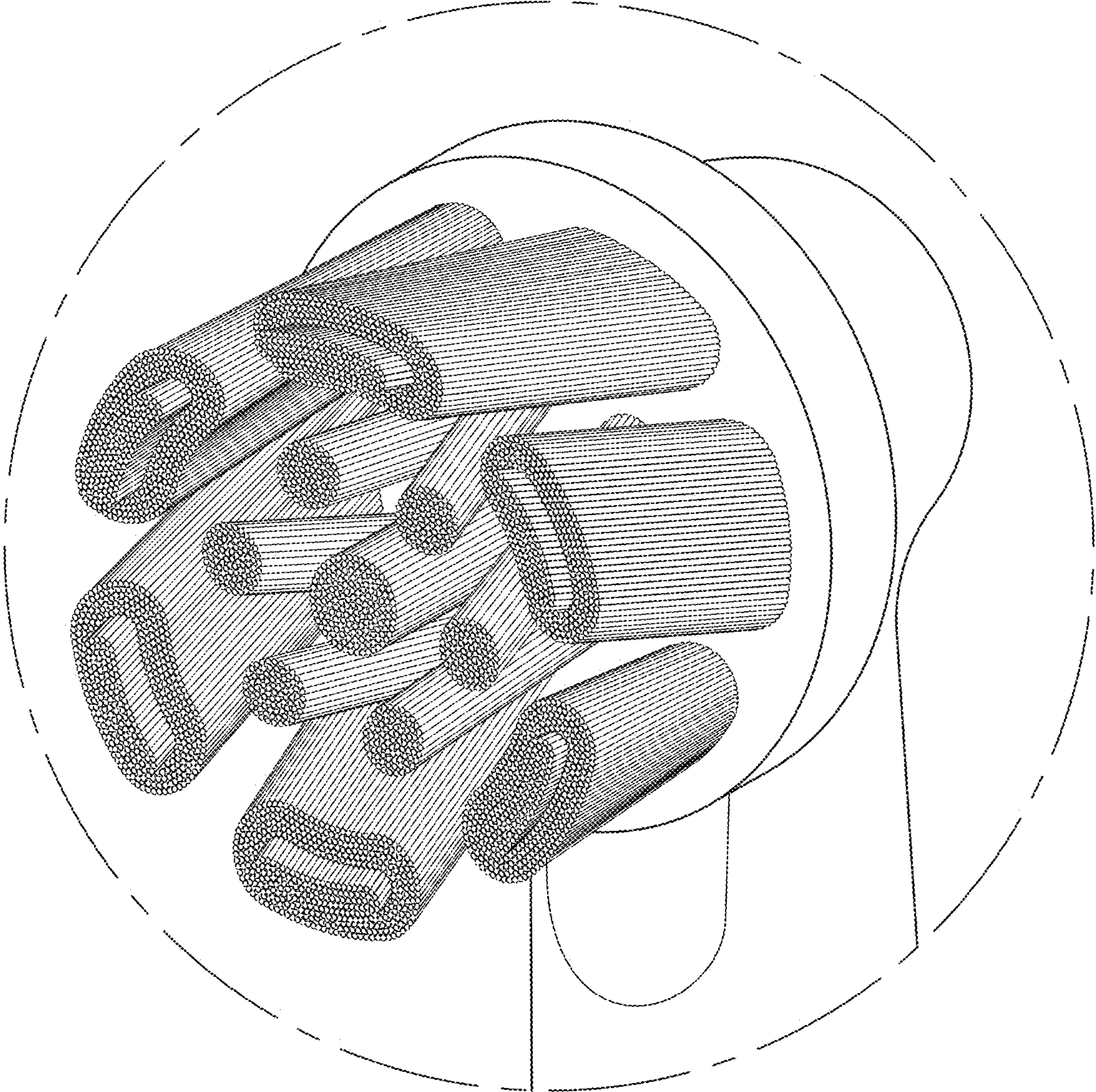


FIG. 9

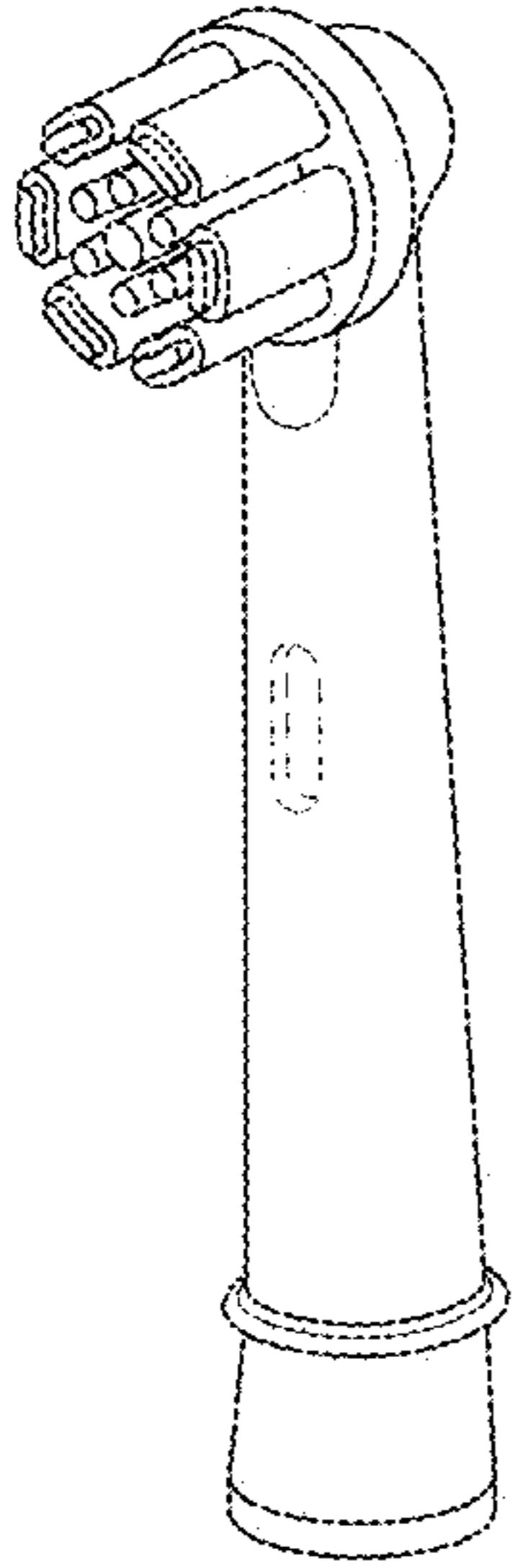


FIG. 10

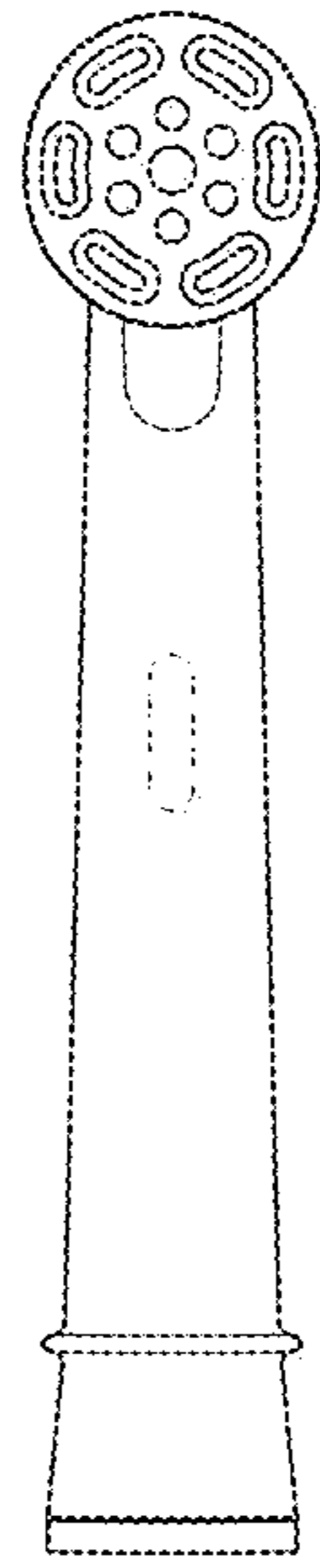


FIG. 11

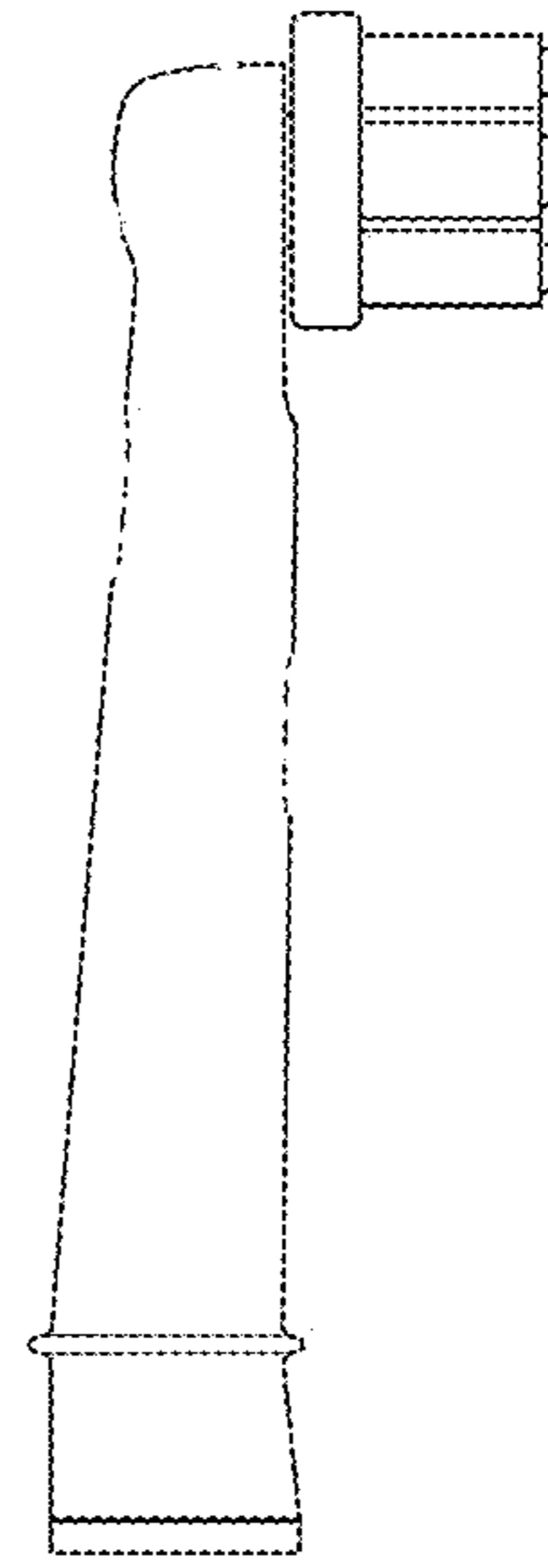


FIG. 12

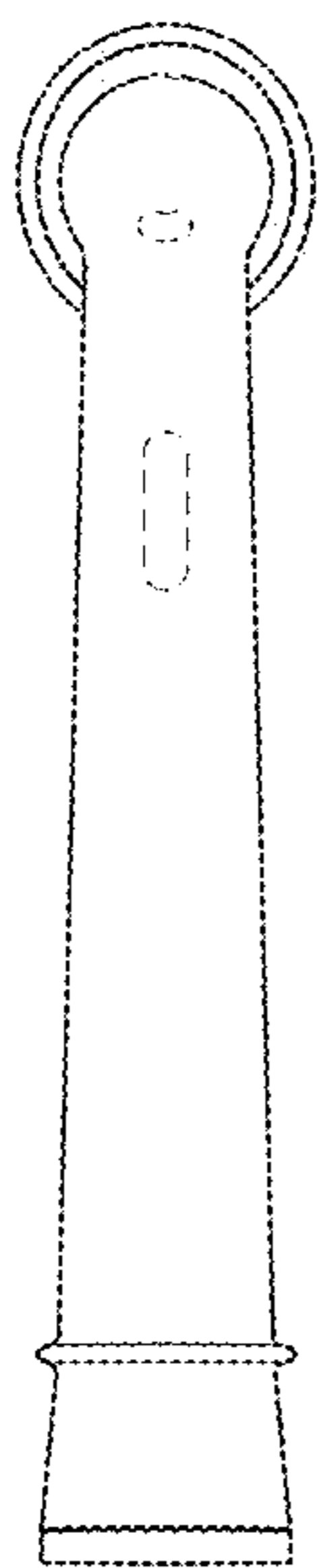


FIG. 13

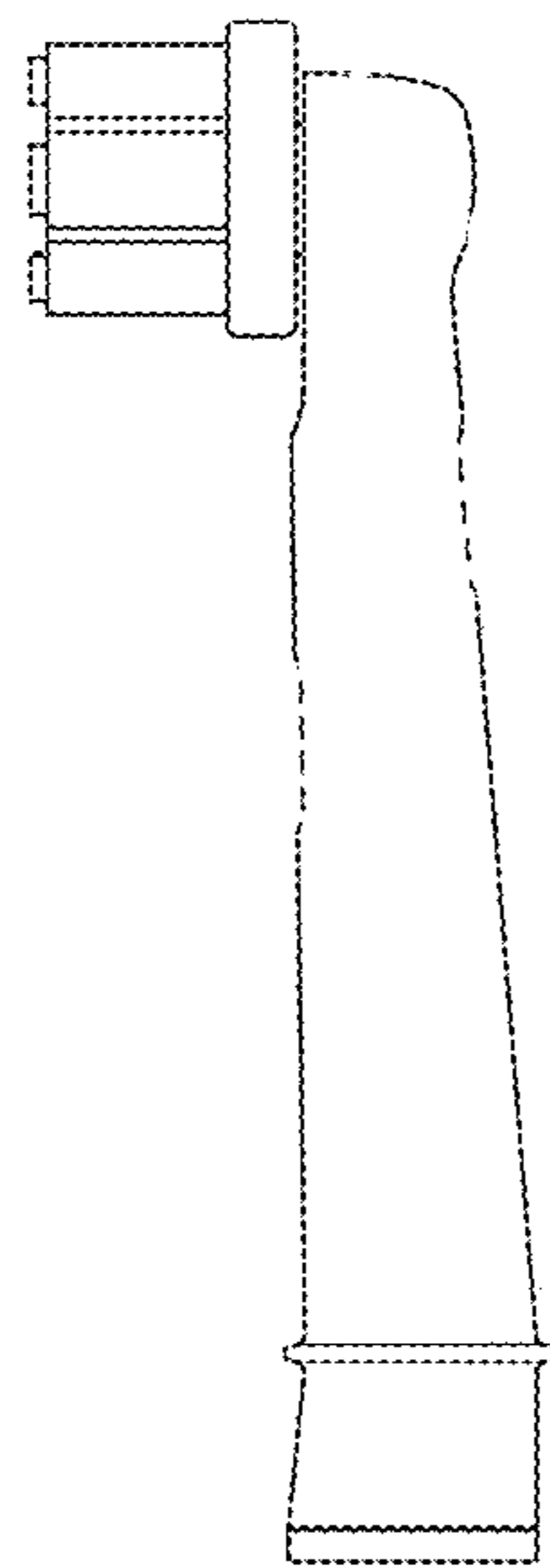


FIG. 14

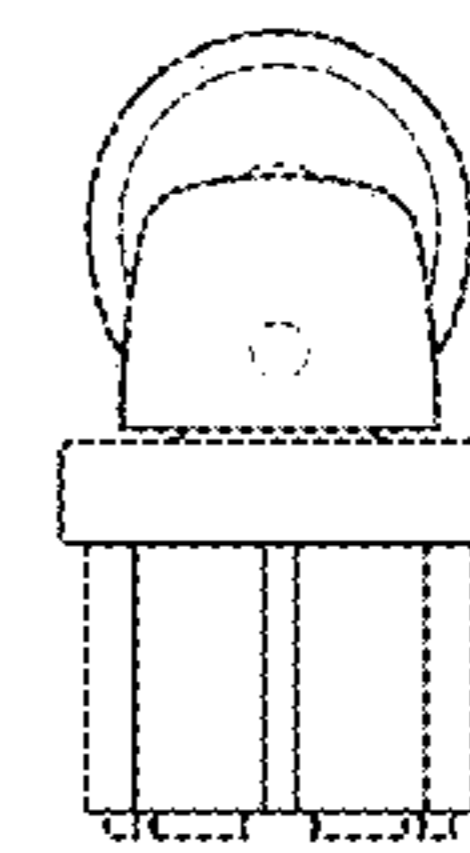


FIG. 15

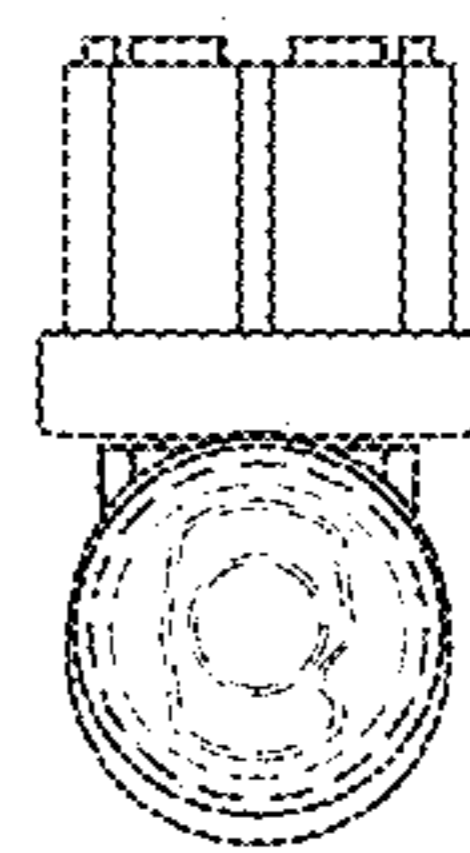


FIG. 16

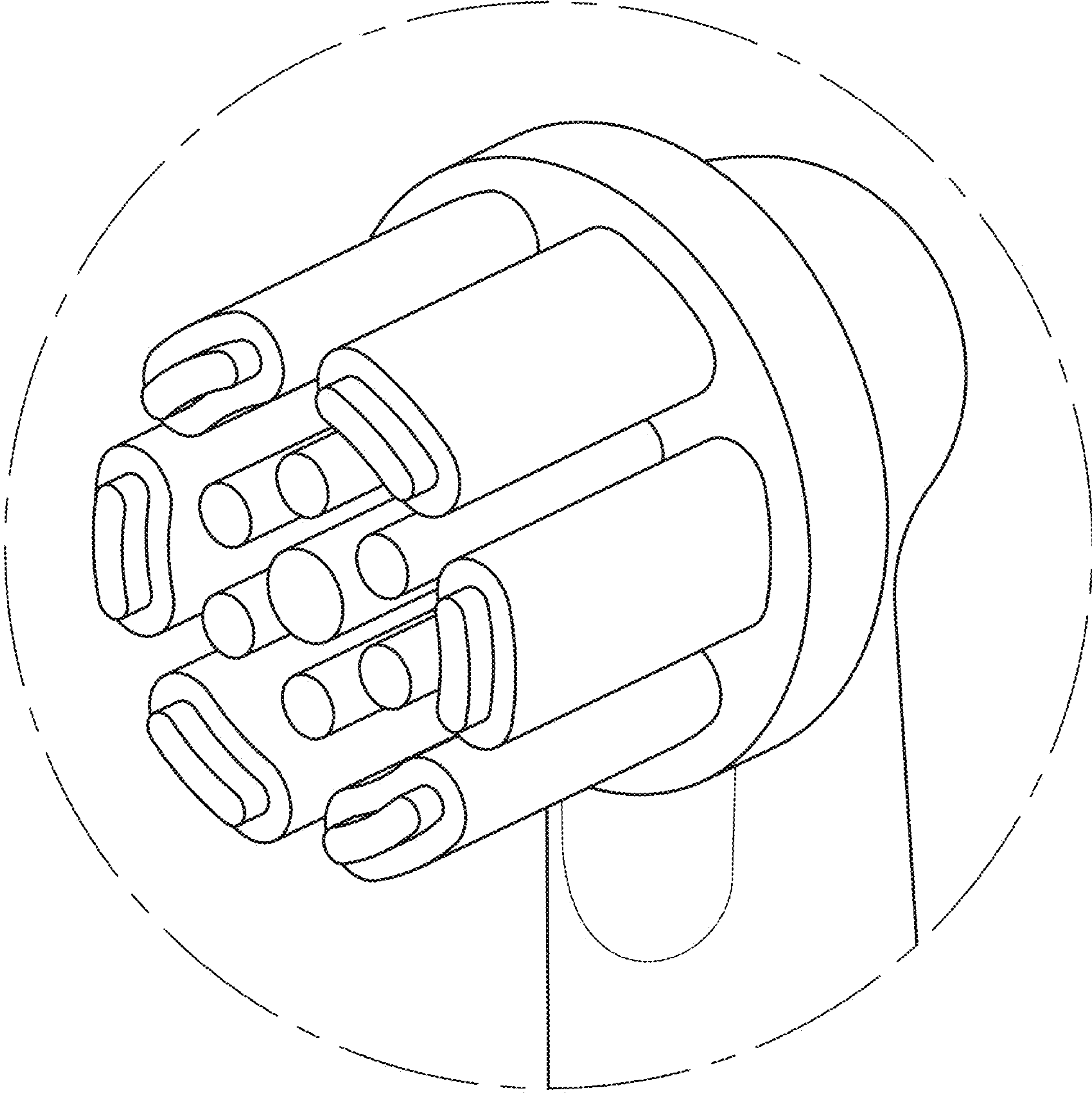


FIG. 17

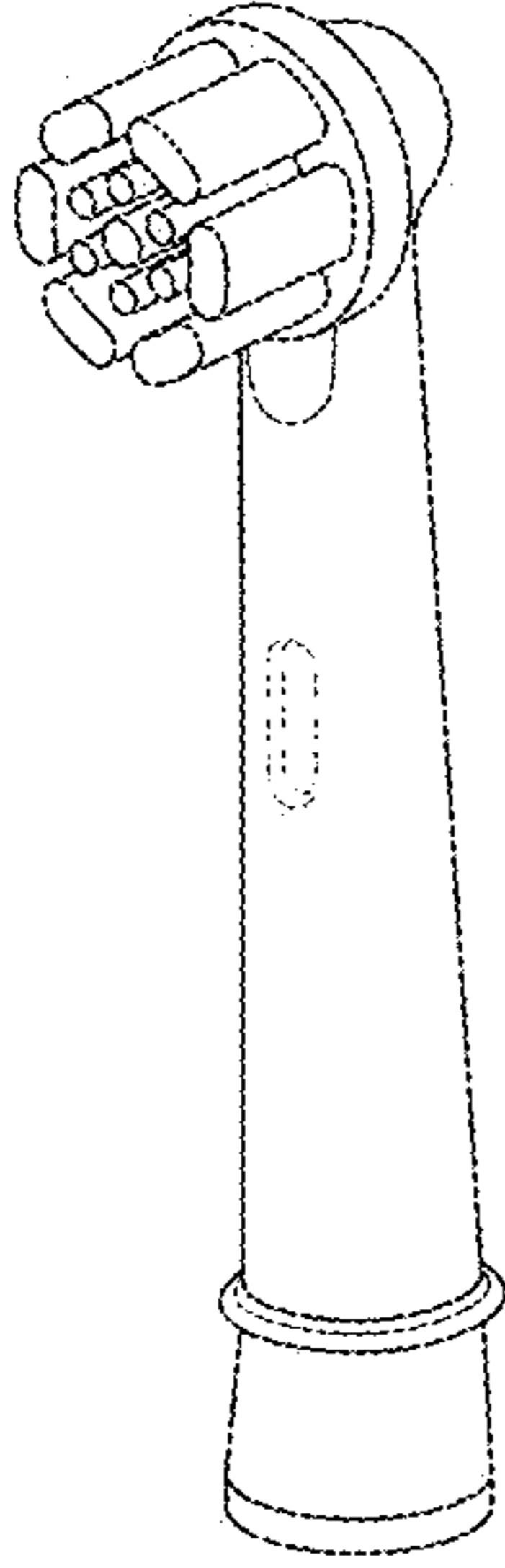


FIG. 18

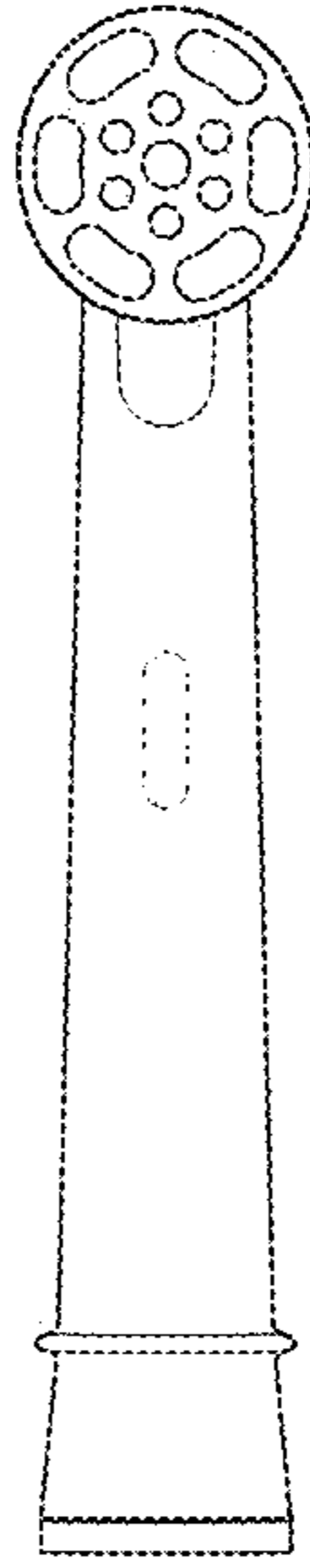


FIG. 19

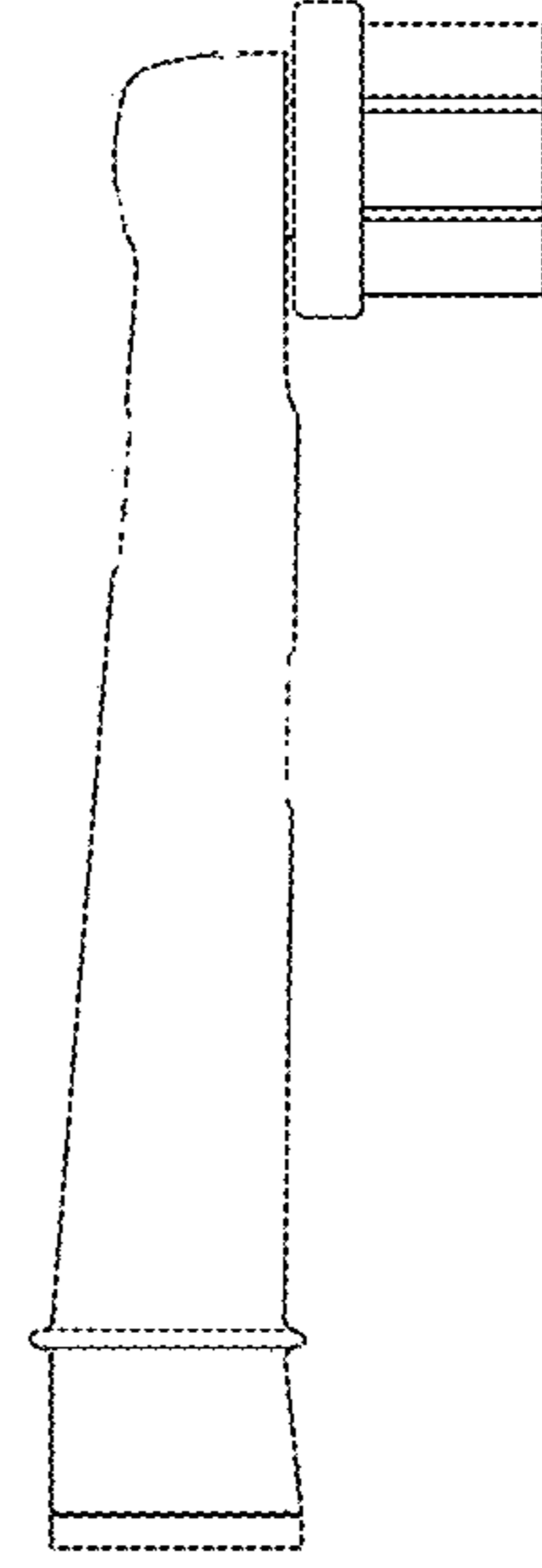


FIG. 20

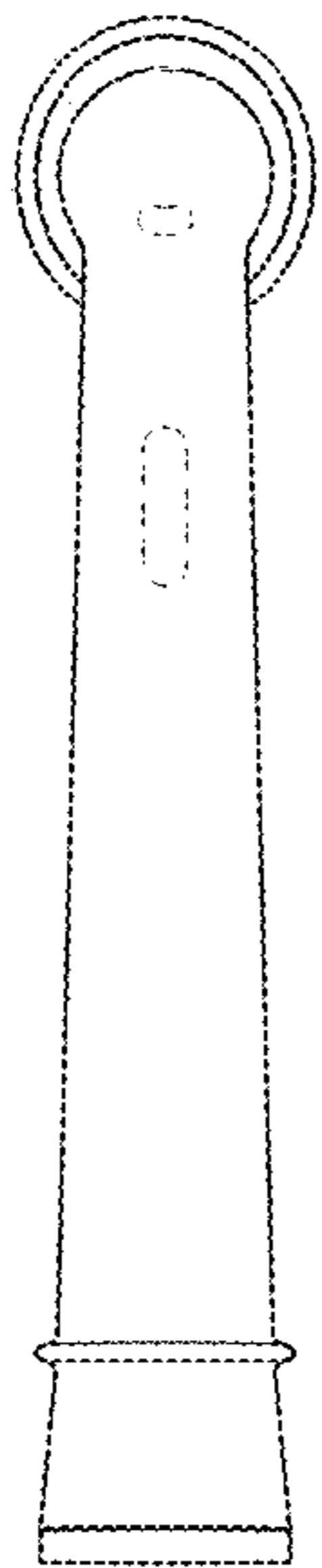


FIG. 21

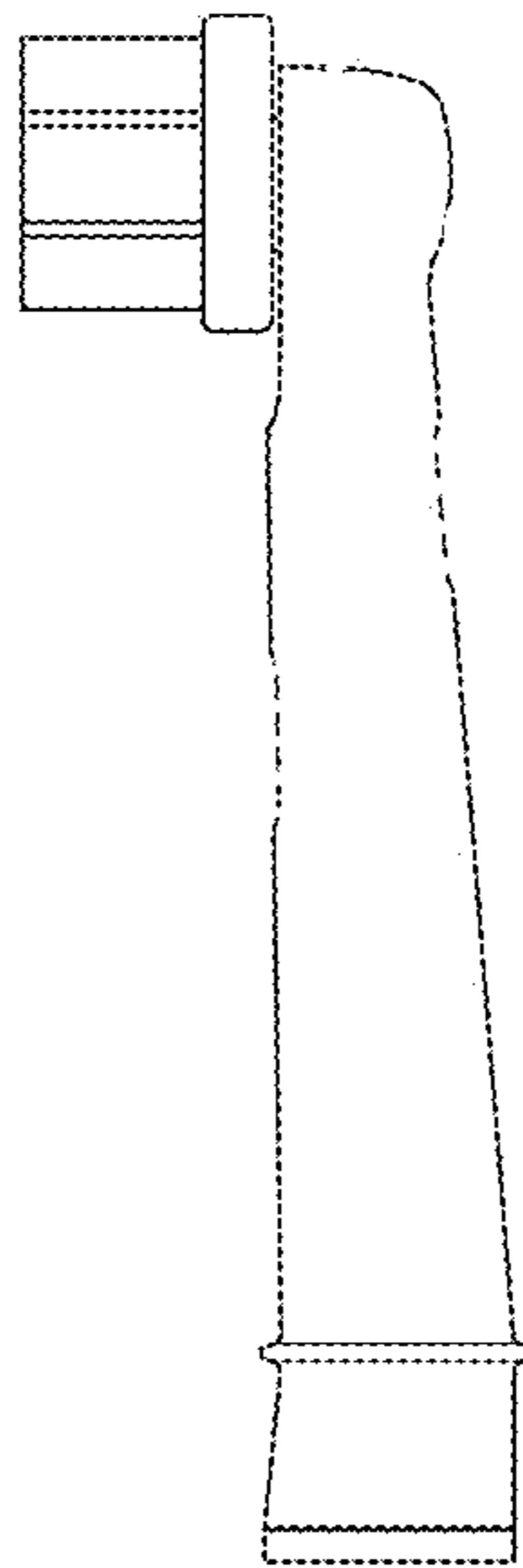


FIG. 22

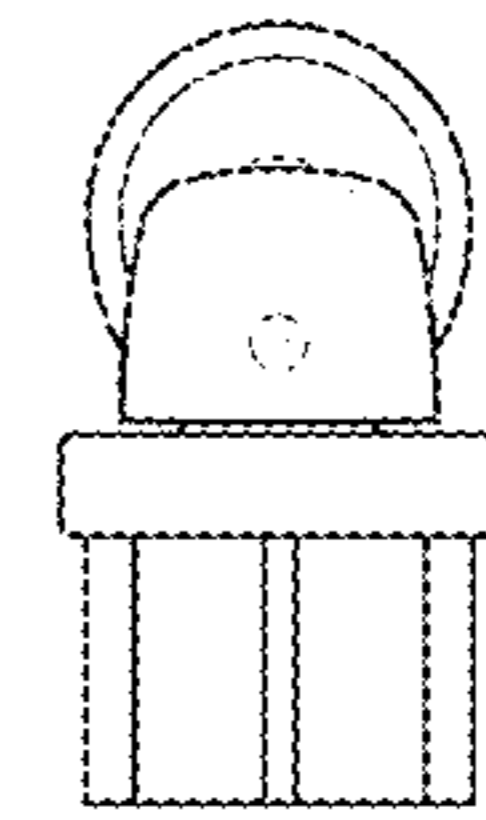


FIG. 23

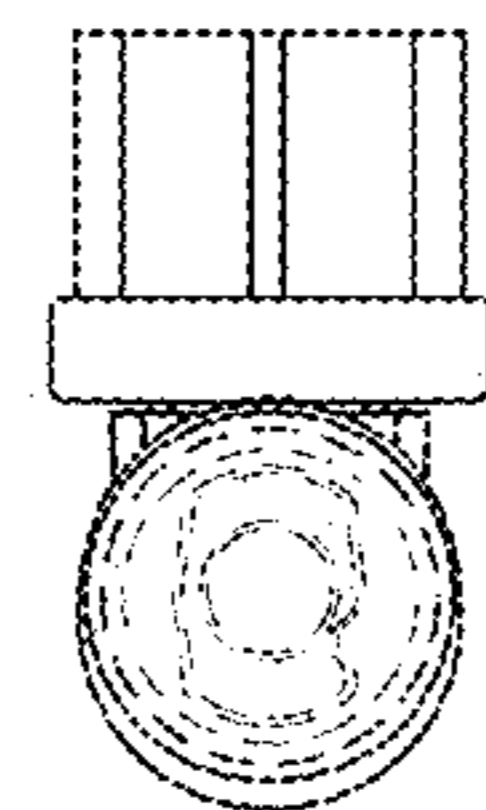


FIG. 24

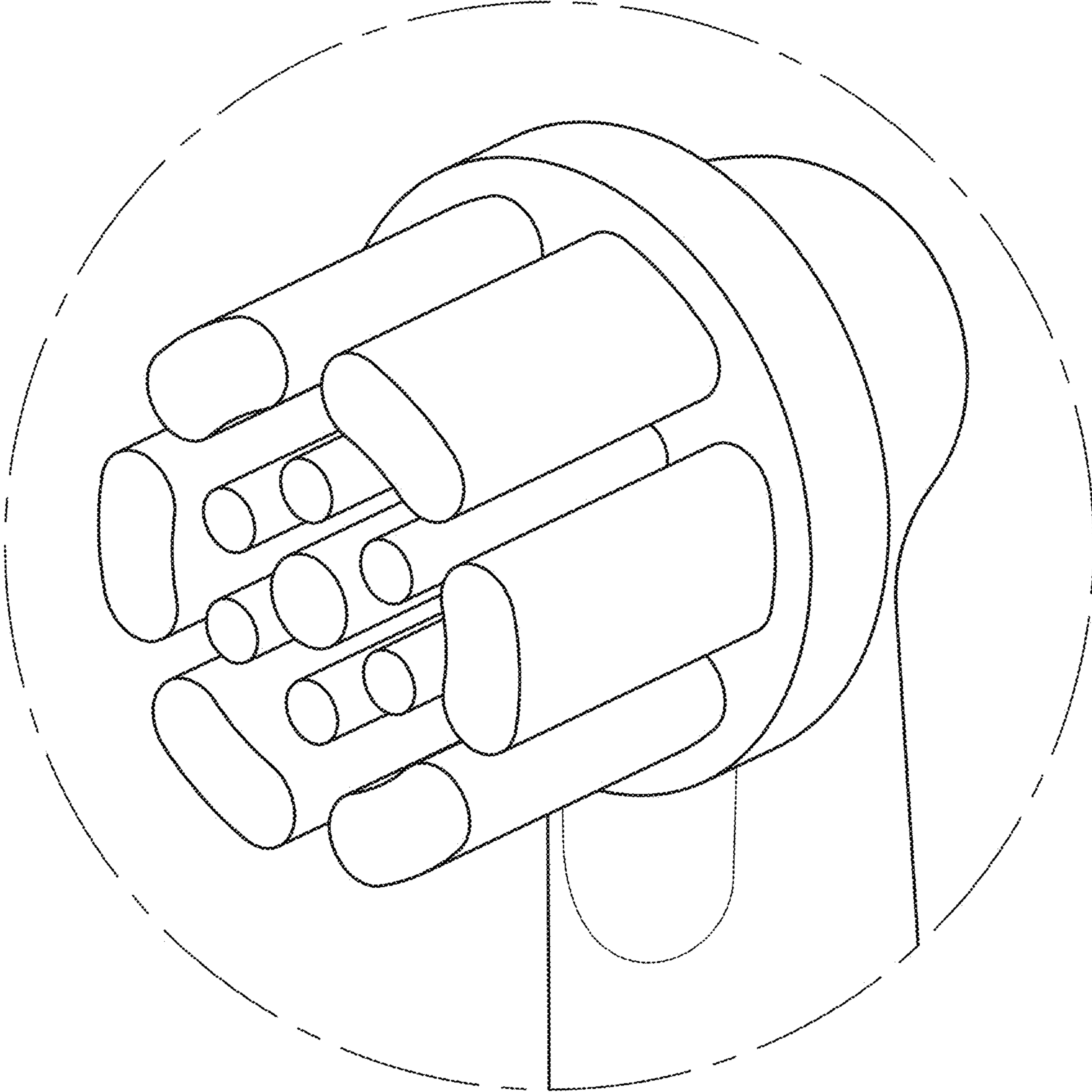


FIG. 25

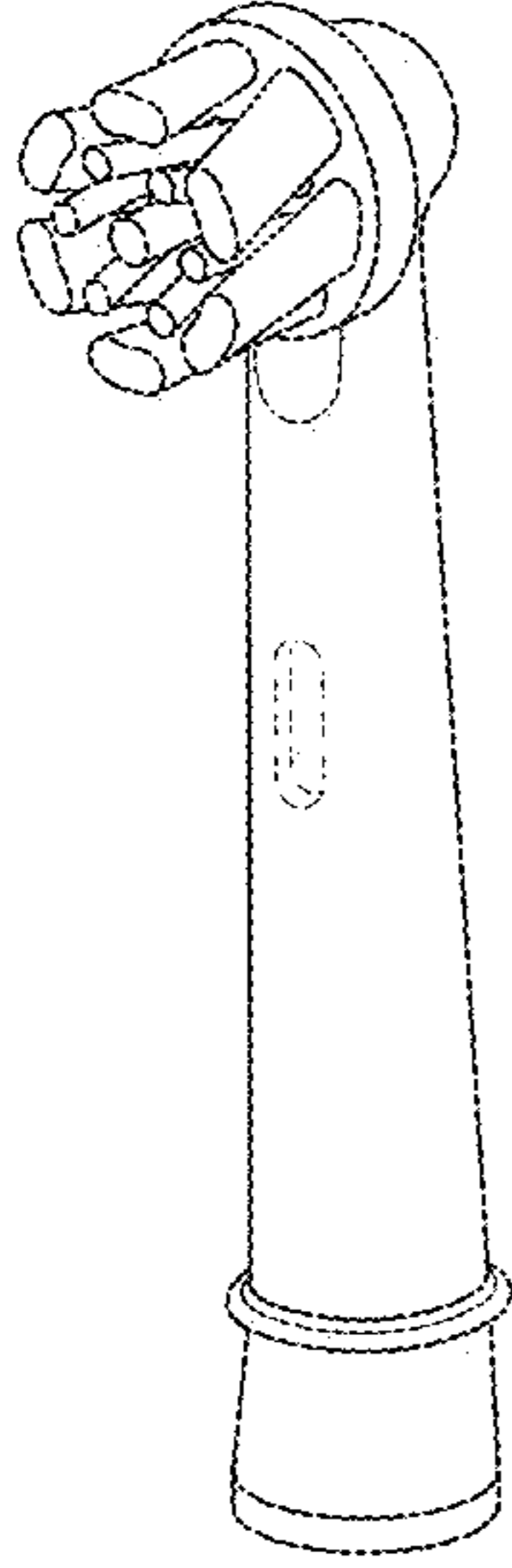


FIG. 26

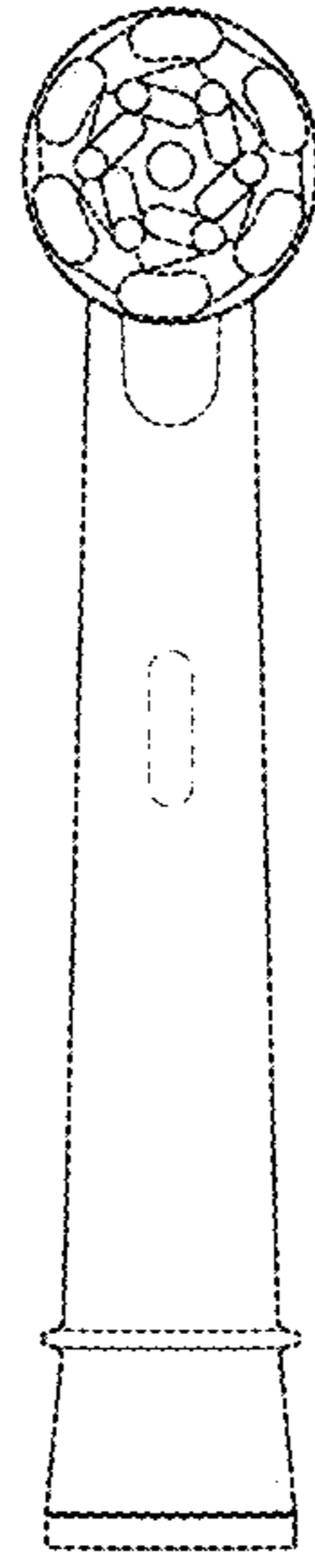


FIG. 27

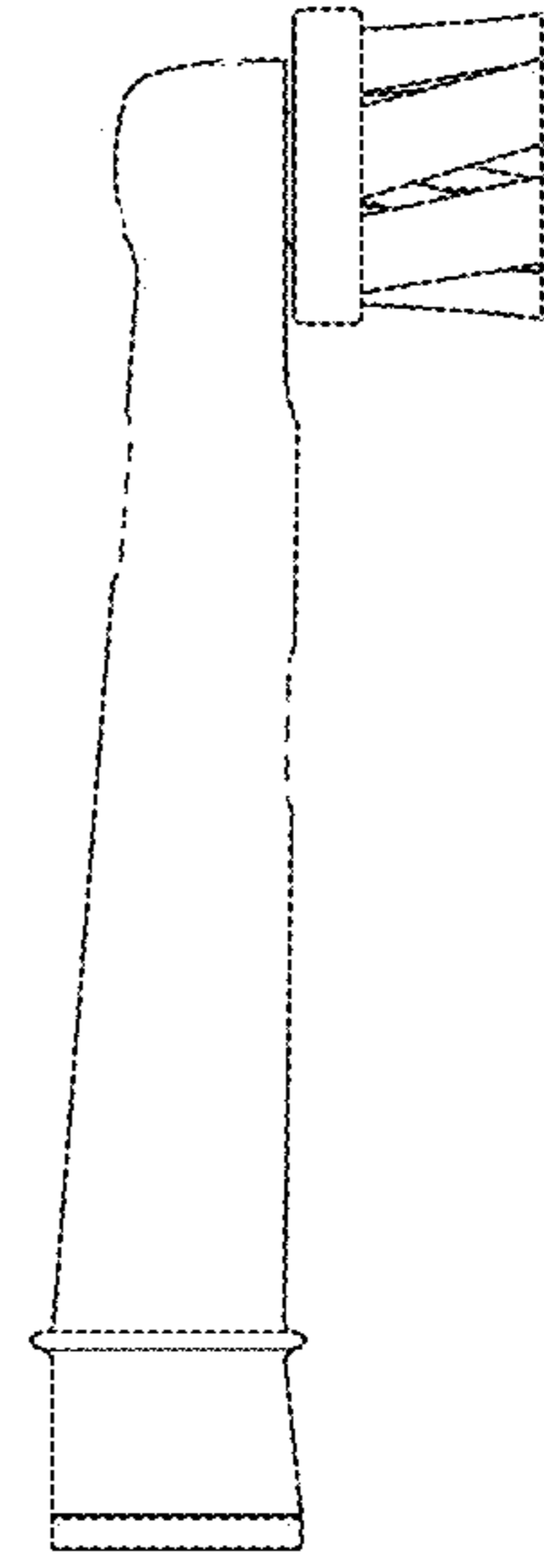


FIG. 28

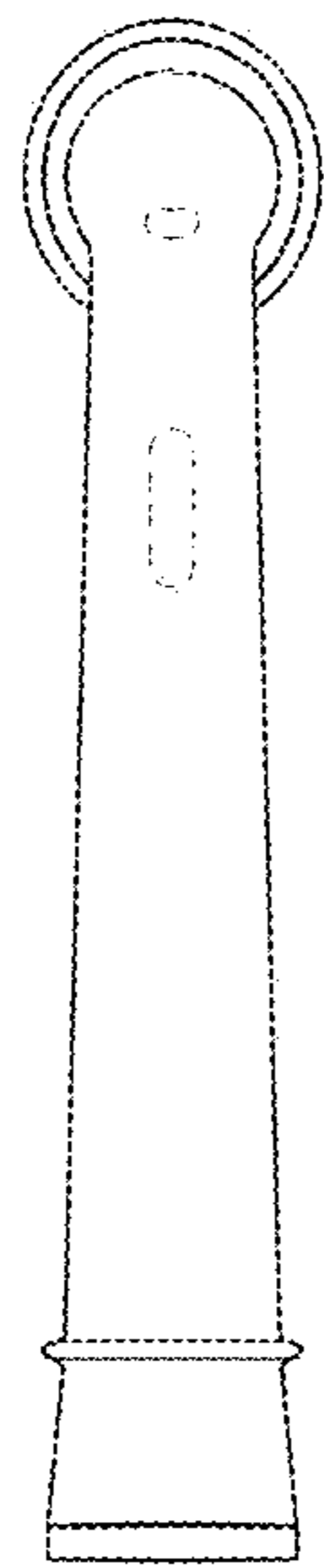


FIG. 29

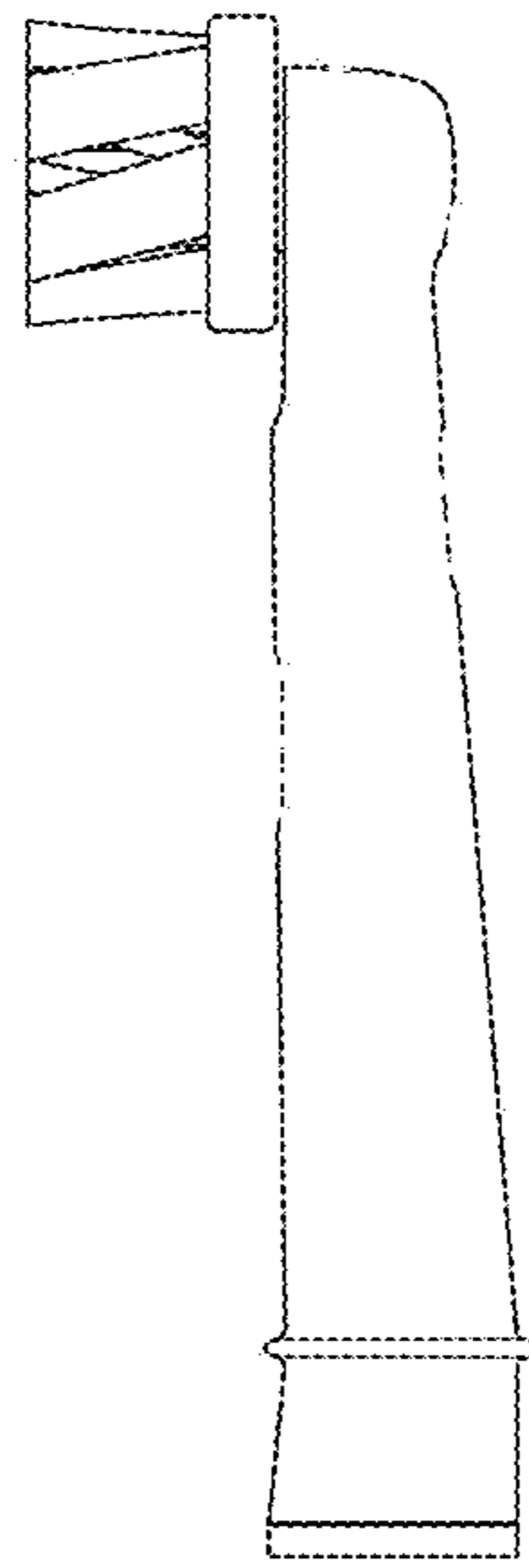


FIG. 30

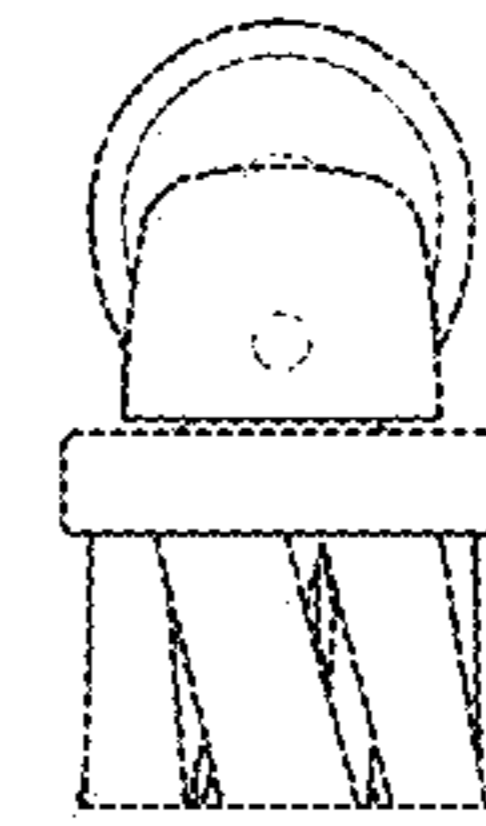


FIG. 31

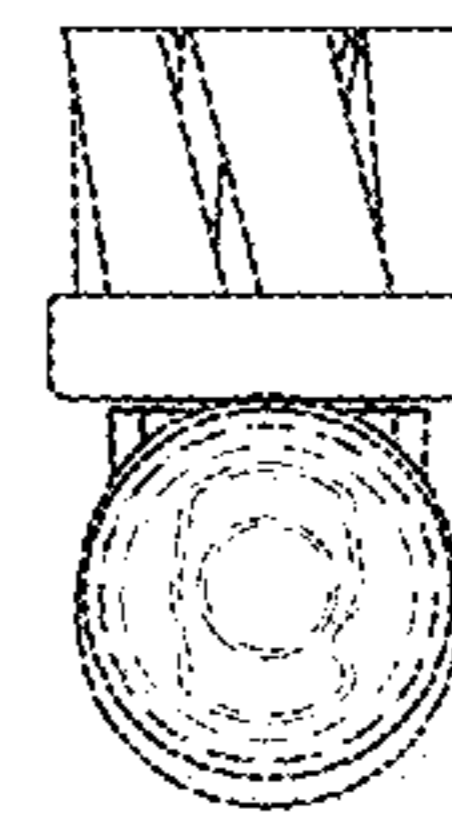


FIG. 32

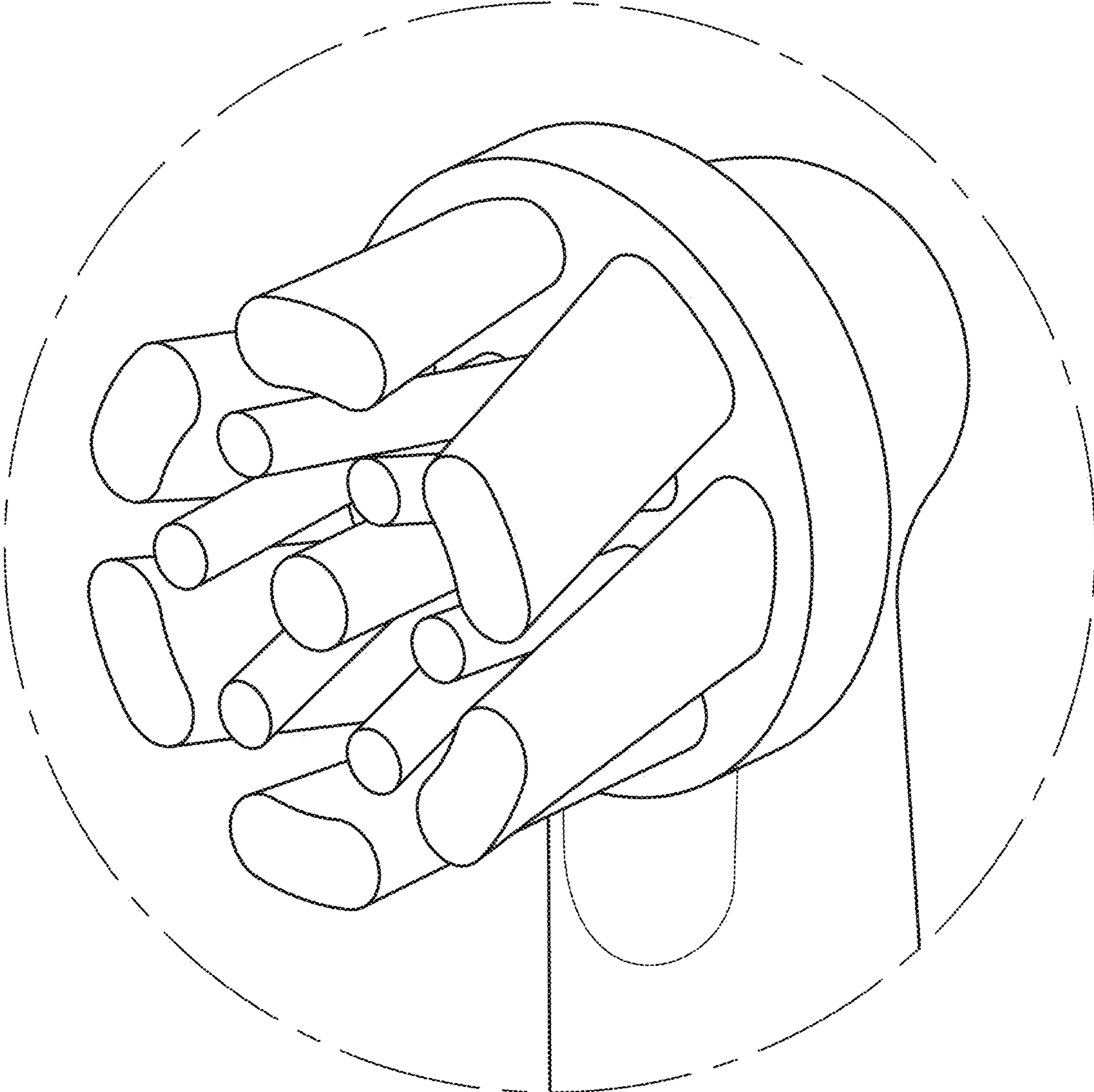


FIG. 33

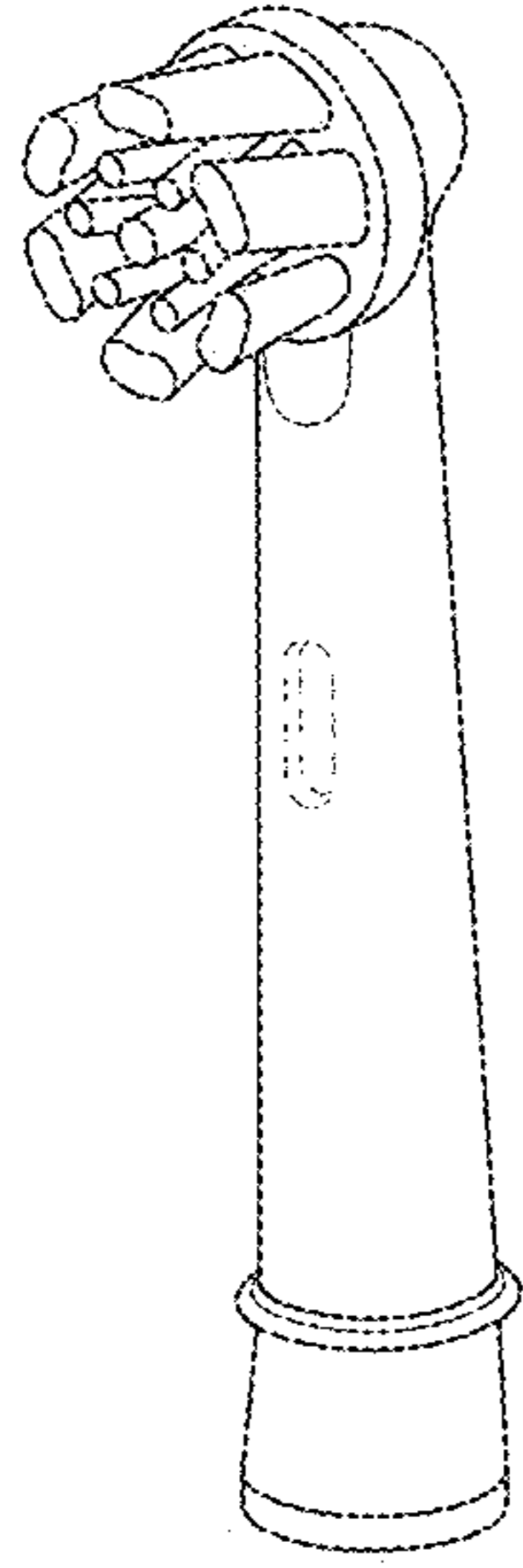


FIG. 34

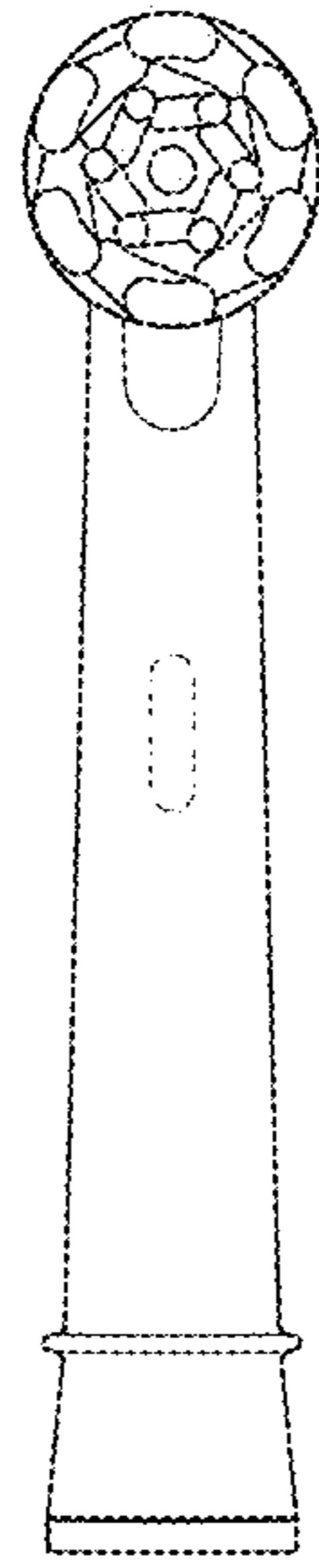


FIG. 35

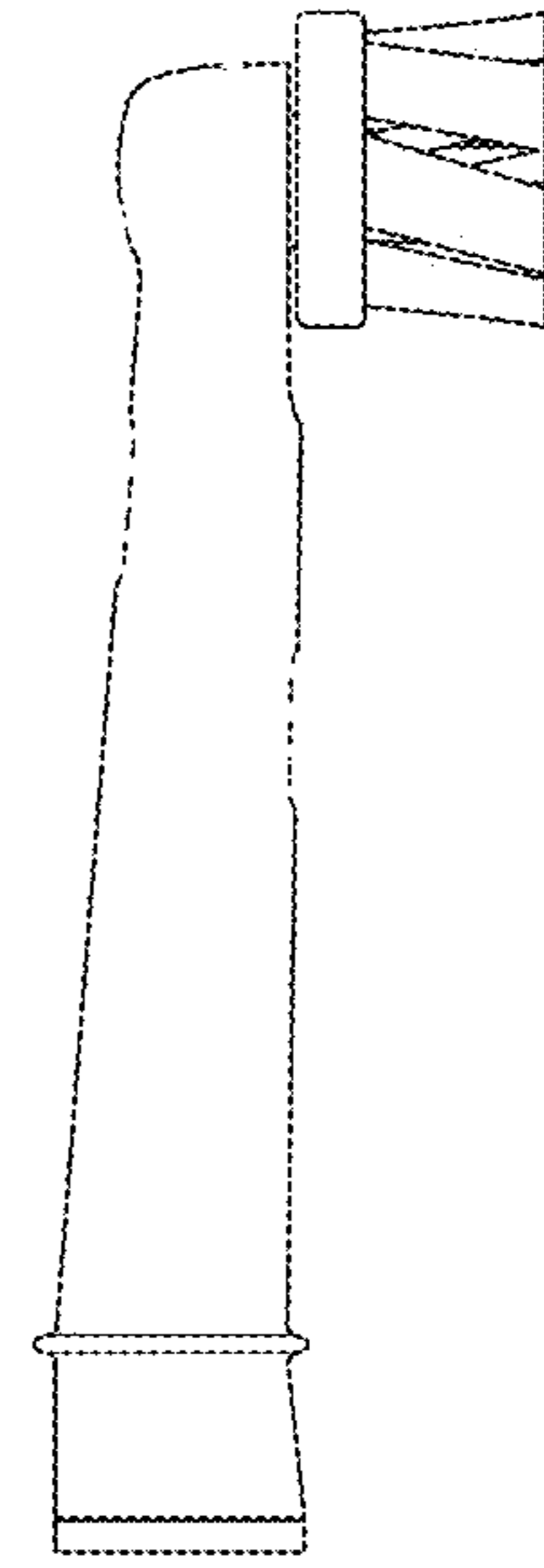


FIG. 36

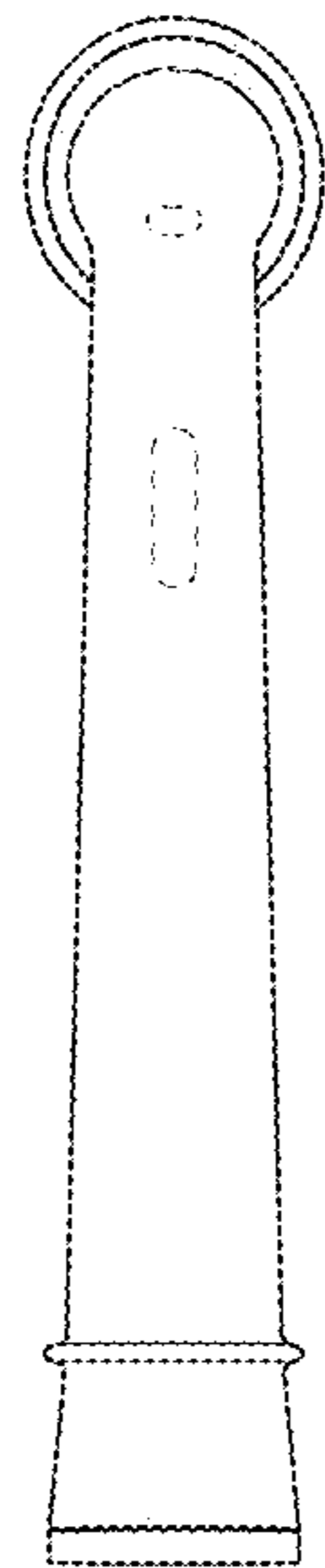


FIG. 37

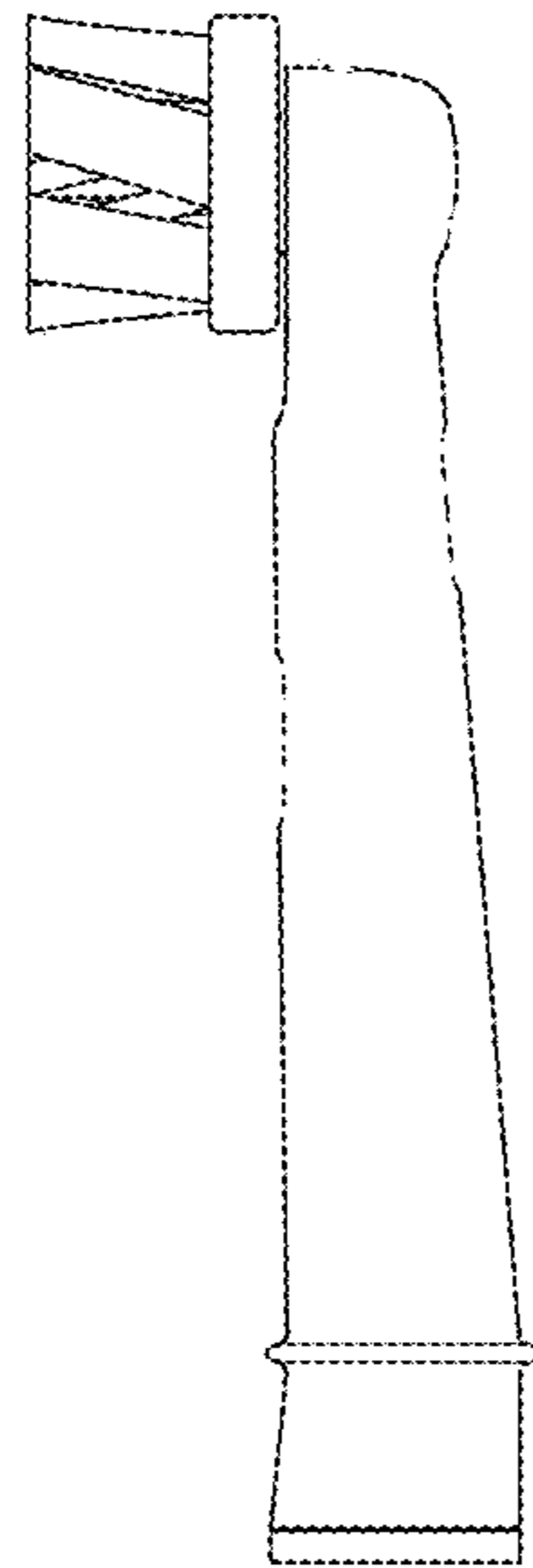


FIG. 38

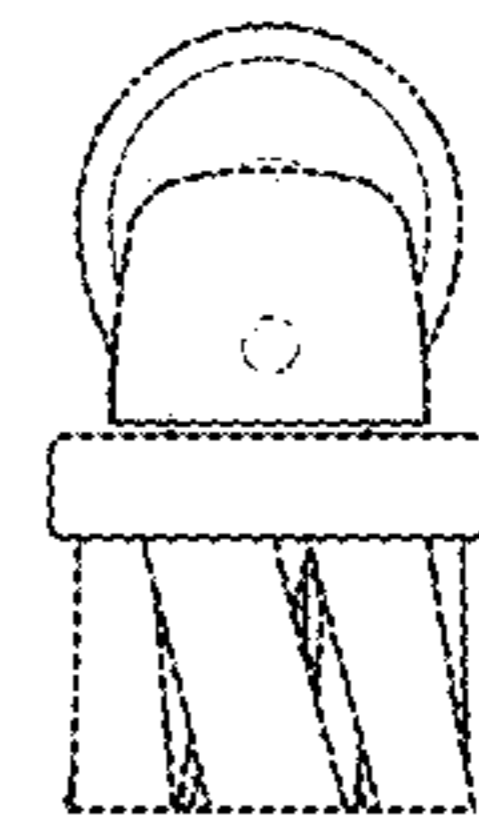


FIG. 39

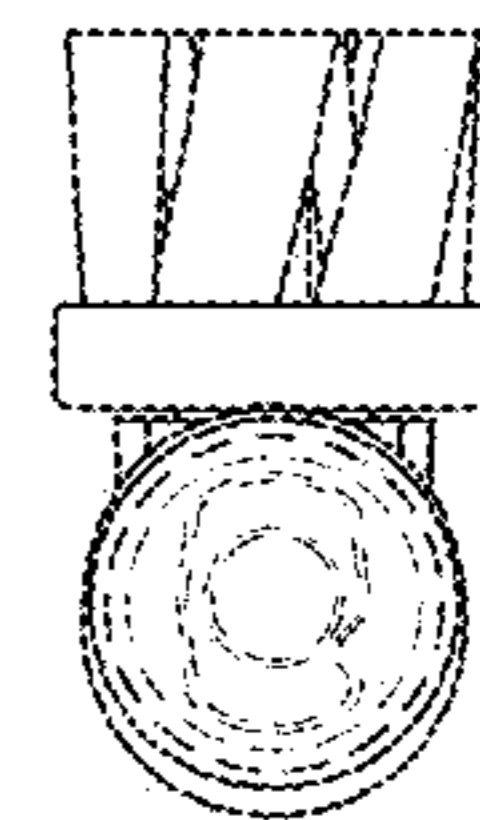


FIG. 40

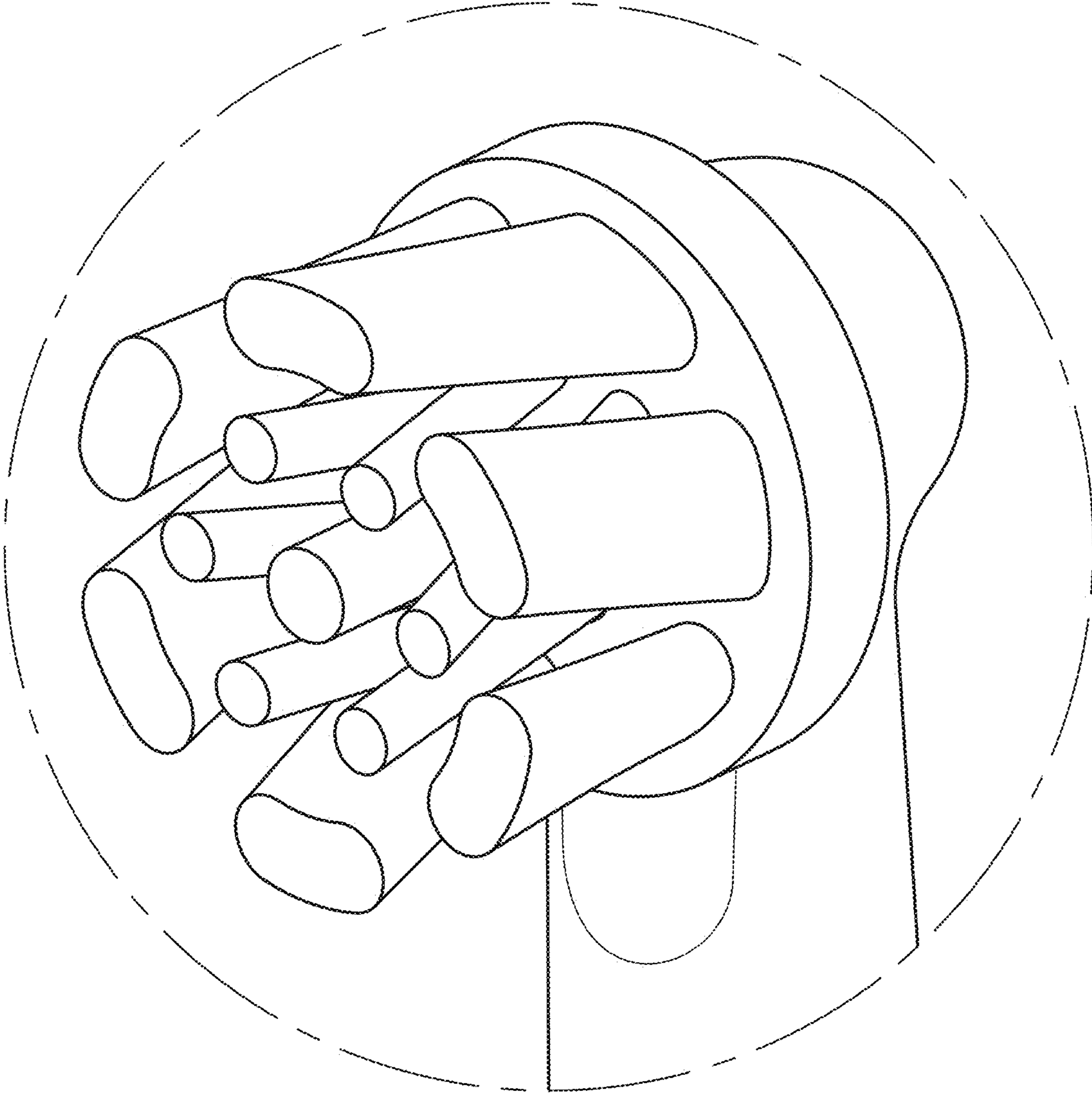


FIG. 41