



US00D984135S

(12) **United States Design Patent** (10) **Patent No.:** **US D984,135 S**
Moilanen (45) **Date of Patent:** **** Apr. 25, 2023**

(54) **GROW BAG**
(71) Applicant: **Steve Moilanen**, Cocoa, FL (US)
(72) Inventor: **Steve Moilanen**, Cocoa, FL (US)
(**) Term: **15 Years**

D816,338 S * 5/2018 Stowe D3/307
D894,604 S * 9/2020 Wang D3/307
D943,455 S * 2/2022 Wolff D11/152
2006/0005466 A1 * 1/2006 Atchley A01G 9/024
47/39

(21) Appl. No.: **29/772,008**
(22) Filed: **Feb. 26, 2021**

FOREIGN PATENT DOCUMENTS

CN 3448964 * 5/2005
CN 300835509 * 10/2008
HK 0603096-0001 * 3/2007

(51) **LOC (14) Cl.** **09-04**
(52) **U.S. Cl.**
USPC **D3/307**; D11/152
(58) **Field of Classification Search**
USPC D3/304-314; D6/566, 556, 558;
D7/601, 667, 704; D11/143, 152, 153,
D11/164
CPC B65D 7/20; B65D 25/32; B21F 27/128;
B62B 3/14
See application file for complete search history.

OTHER PUBLICATIONS

“TYHOOK Fabric Grow Bags”, [Posted Online on tyhookfabricgrowbags.com], [Posting Date Not Available], [Retrieved Online on Jul. 15, 2022], <https://tyhookfabricgrowbags.com> (Year: NA).*

(Continued)

Primary Examiner — Mary Shannon Malley
Assistant Examiner — Christopher John Suarez La Rosa
(74) *Attorney, Agent, or Firm* — Cramer Patent & Design, PLLC; Aaron R. Cramer

(56) **References Cited**

U.S. PATENT DOCUMENTS

2,761,480 A * 9/1956 Tames D06F 95/004
383/6
2,859,557 A * 11/1958 Lattuca A01G 9/021
47/65.5
3,709,263 A 1/1973 Jackson et al.
4,403,447 A * 9/1983 Braun A01G 23/04
47/76
5,025,590 A * 6/1991 Smith A01G 23/04
47/76
5,937,577 A 8/1999 Butler et al.
6,637,155 B1 10/2003 Butler et al.
7,752,805 B2 * 7/2010 Lilborn A01G 13/0237
47/32.7
D698,617 S * 2/2014 Evans D11/152
8,656,640 B2 * 2/2014 Bitel A01G 23/04
47/76
D761,509 S * 7/2016 Cohen D32/37
D765,977 S * 9/2016 Adkinson D3/307

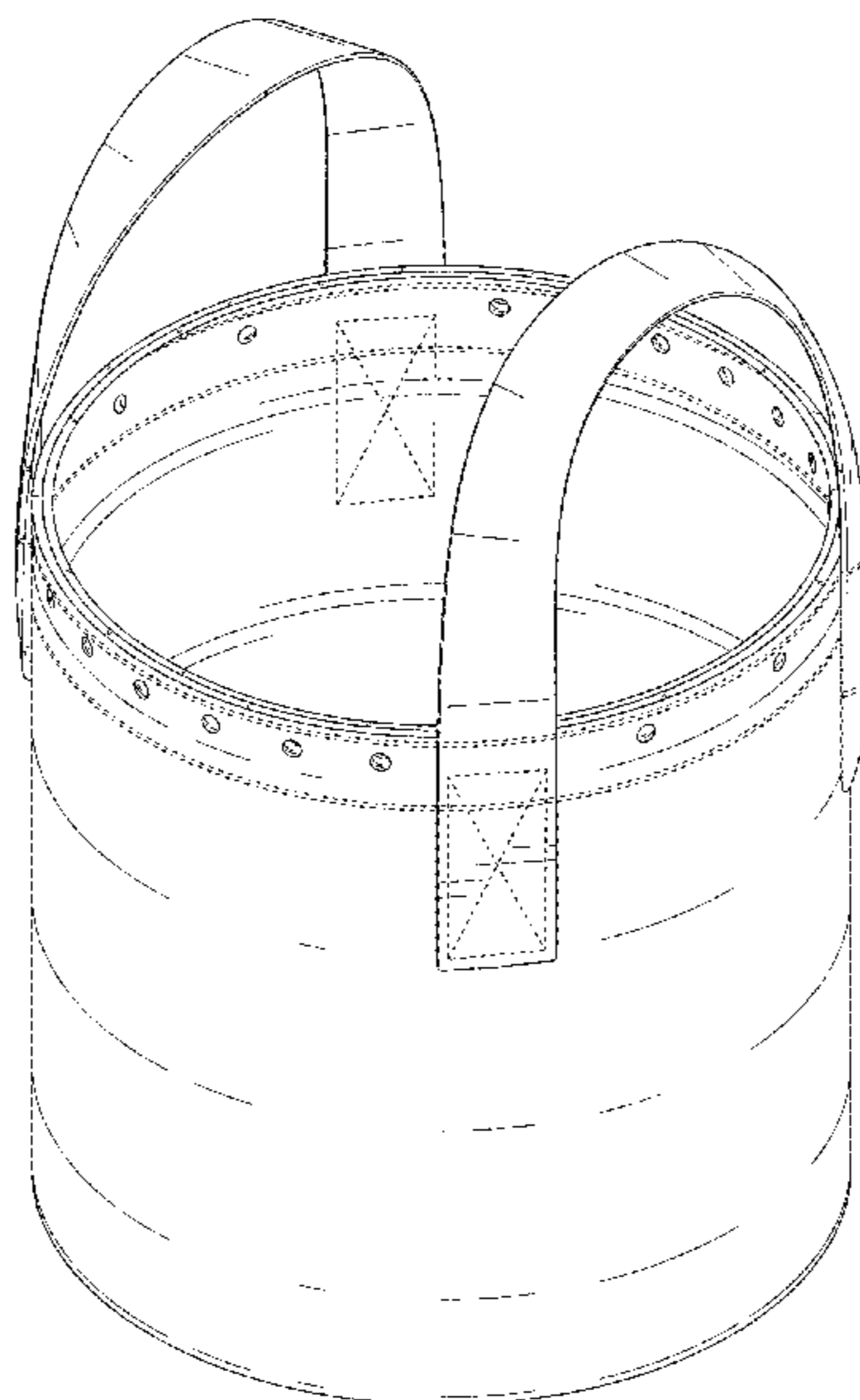
(57) **CLAIM**

The ornamental design for a grow bag, as shown and described.

DESCRIPTION

FIG. 1 is a perspective top front view of a grow bag, showing my new design;
FIG. 2 is a top plan view thereof;
FIG. 3 is a bottom plan view thereof;
FIG. 4 is a front elevation view thereof;
FIG. 5 is a right elevation view thereof;
FIG. 6 is a rear elevation view thereof; and,
FIG. 7 is a left elevation view thereof.
The dashed lines illustrated herein represent stitching patterns and are intended to form no part of the claimed invention.

1 Claim, 4 Drawing Sheets



(56)

References Cited

OTHER PUBLICATIONS

“Wayback Machine URL reverse search for NPL U citation”, [Posted Online on tyhookfabricgrowbags.com], [Posting Date Dec. 24, 2021], [Retrieved Online on Jul. 15, 2022], <https://web.archive.org/web/20220128150926/https://tyhookfabricgrowbags.com/> (Year: 2021).*

“Amazon.com—GoodKarma Products Super Roots 5 Gallon Grow Bag”, [Posted Online on amazon.com], [Posting Date Not Available], [Retrieved Online on Jul. 15, 2022], <https://www.amazon.com/GoodKarma-Products-gardening-growing-breathability/dp/B09HKY98C2> (Year: NA).*

Wofu Non-woven Fabric Pot Plants Pouch Root Container Grow Planter Bag Bio-Degradable Transplant Bag Garden Kit Fabric Grow Pot. Product Listing [online]. © 2010-2020 AliExpress.com [retrieved on Nov. 25, 2020]. Retrieved from the Internet: <URL: <https://www.aliexpress.com/item/32826262371.html>>.

Vivosun 5-pack 30 Gallons Heavy Duty Thickened Nonwoven Fabric Pots Grow Bags Wi. Product Listing [online]. Copyright © 1995-2021 eBay Inc. [retrieved on Nov. 25, 2020]. Retrieved from the Internet: <URL: <https://www.ebay.com/p/1344461555?iid=171889125296>>.

Eco Organics 420 Grow Bags for Marijuana 7 Gallon (3 Pack). Black Soft Fabric Grow Pots for Cannabis . . . Product Listing [online]. © 1996-2021, Amazon.com, Inc. [retrieved on Nov. 25, 2020]. Retrieved from the Internet: <URL: <https://www.amazon.com/Marijuana-Gallon-Black-Fabric-Cannabis/dp/B01MYHEQLW>>.

* cited by examiner

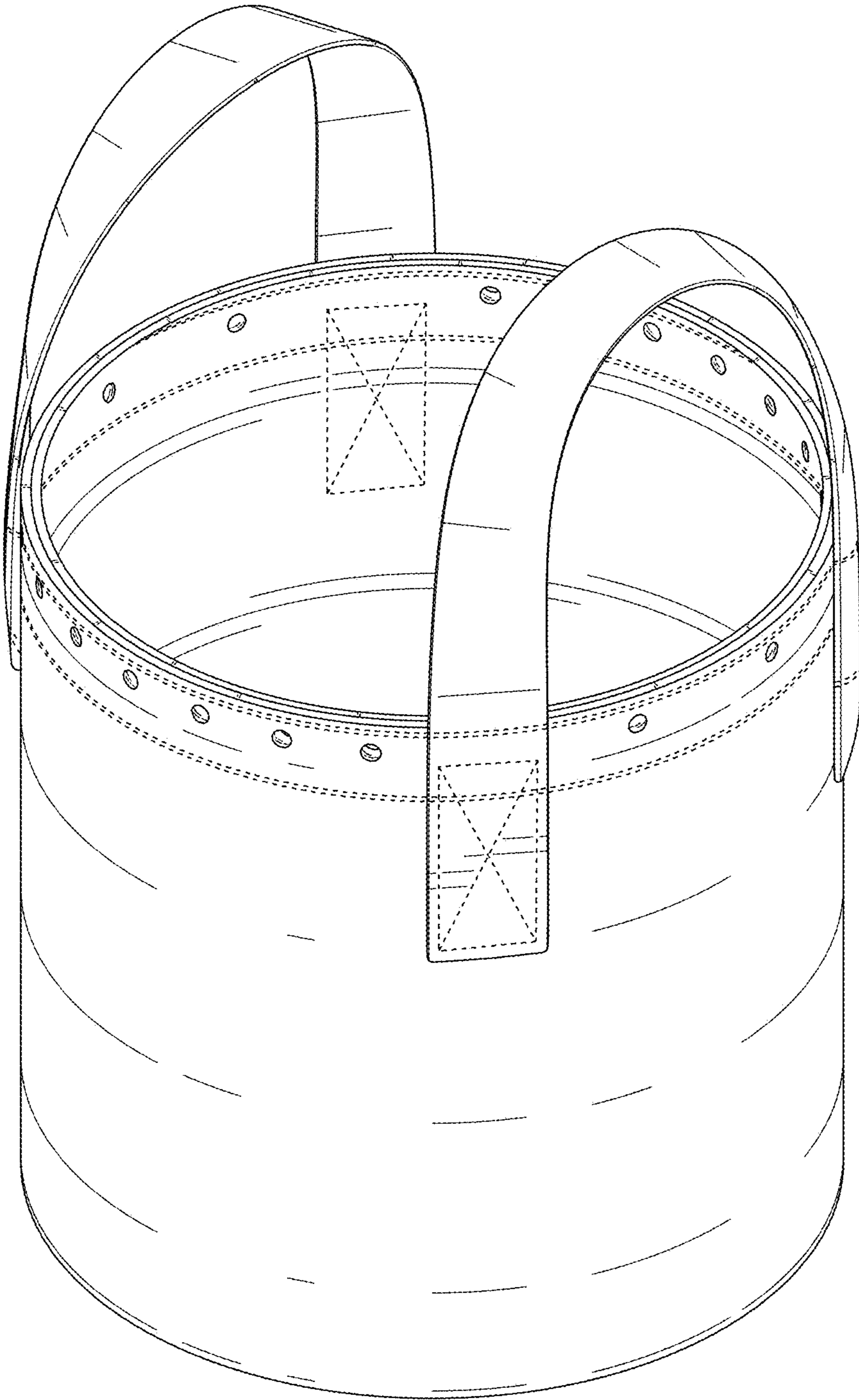


FIG. 1

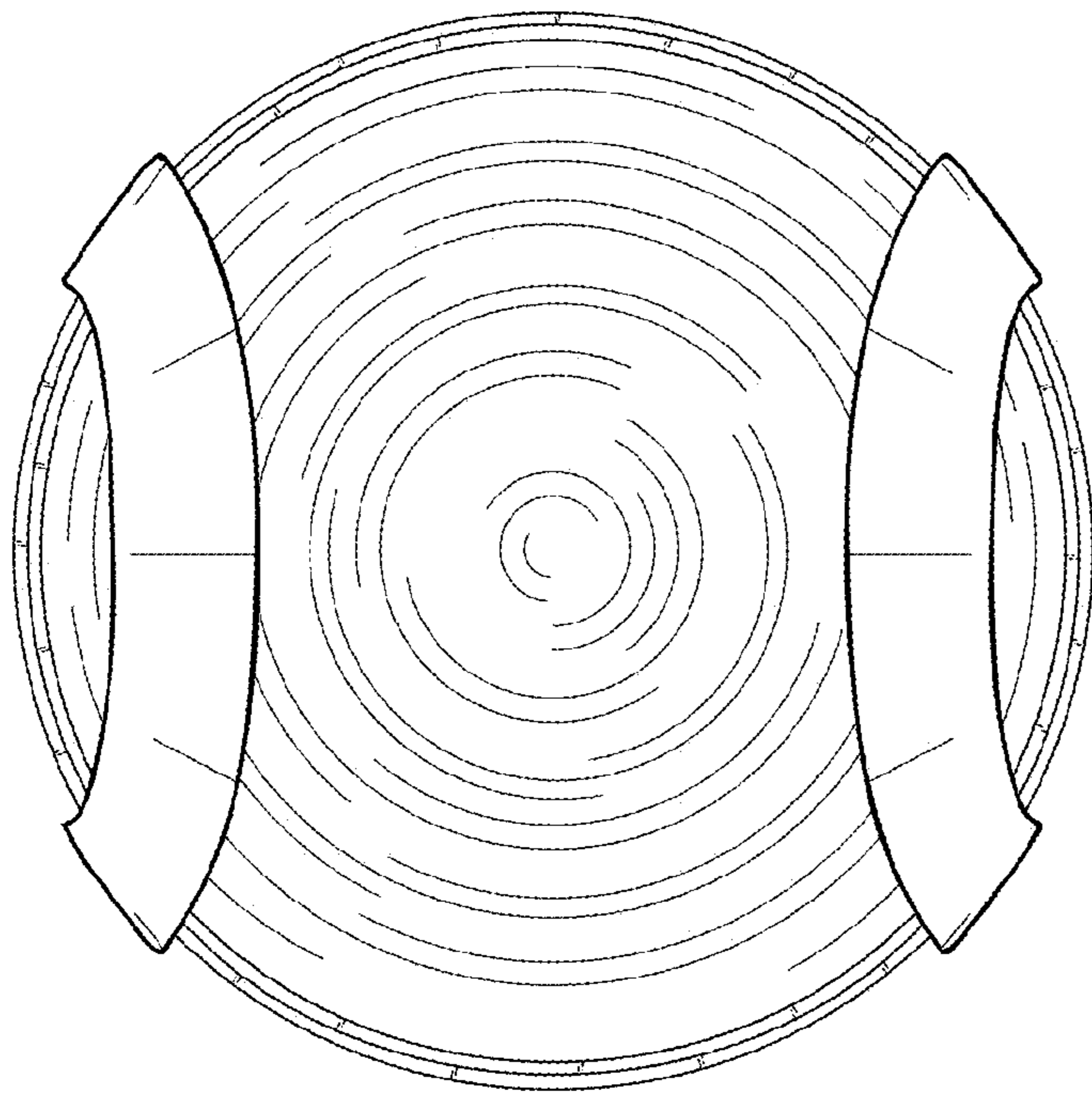


FIG. 2

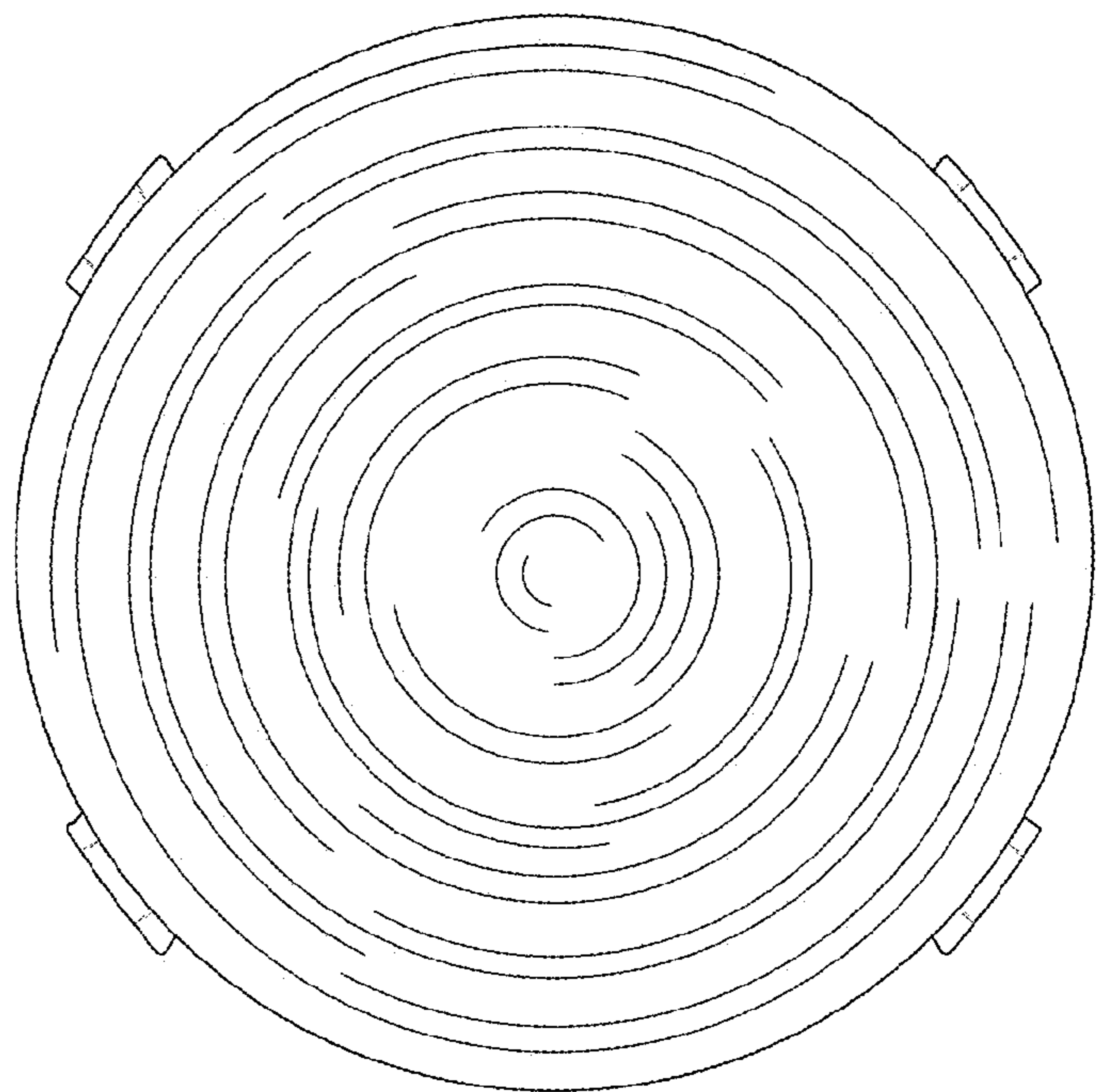


FIG. 3

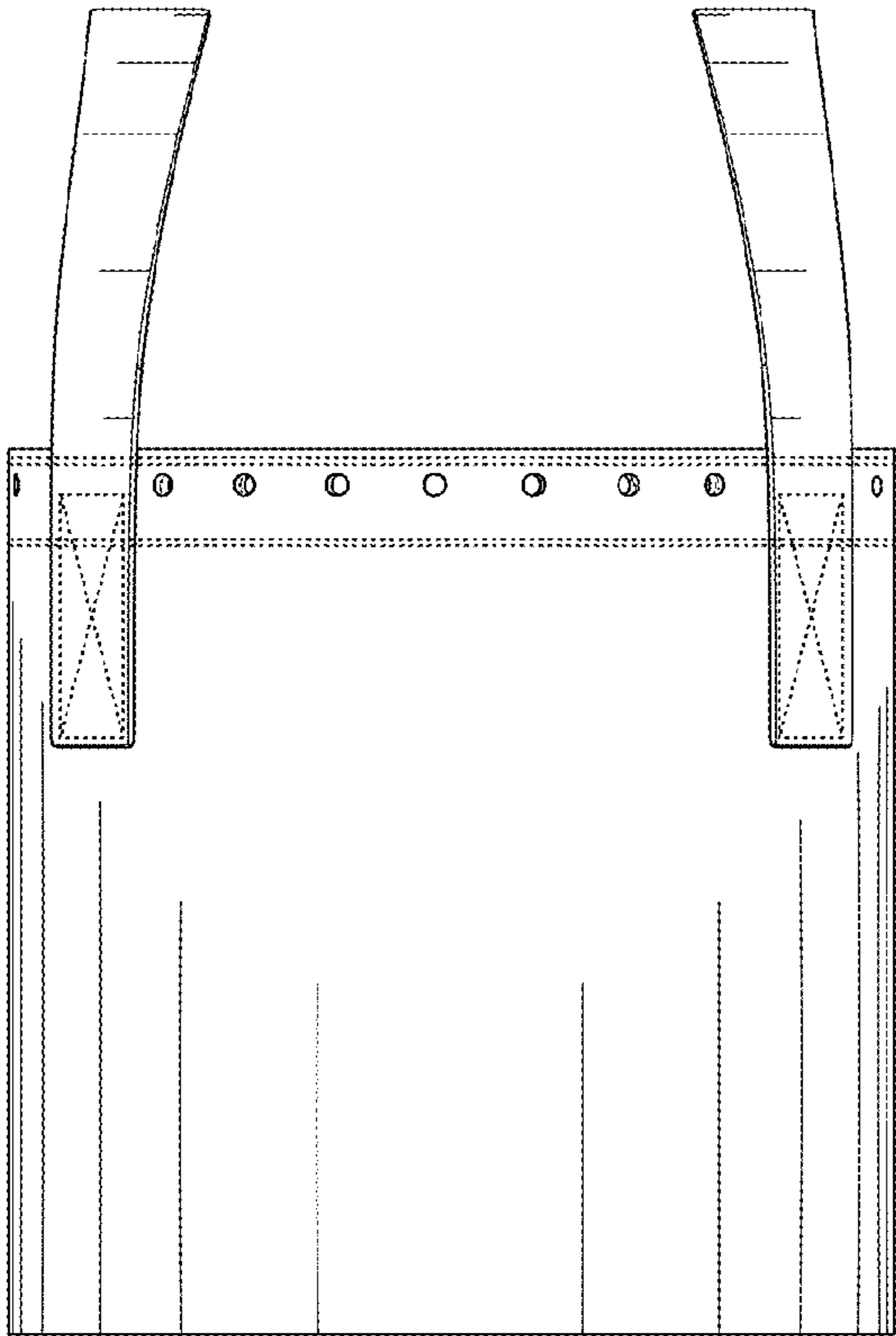


FIG. 4

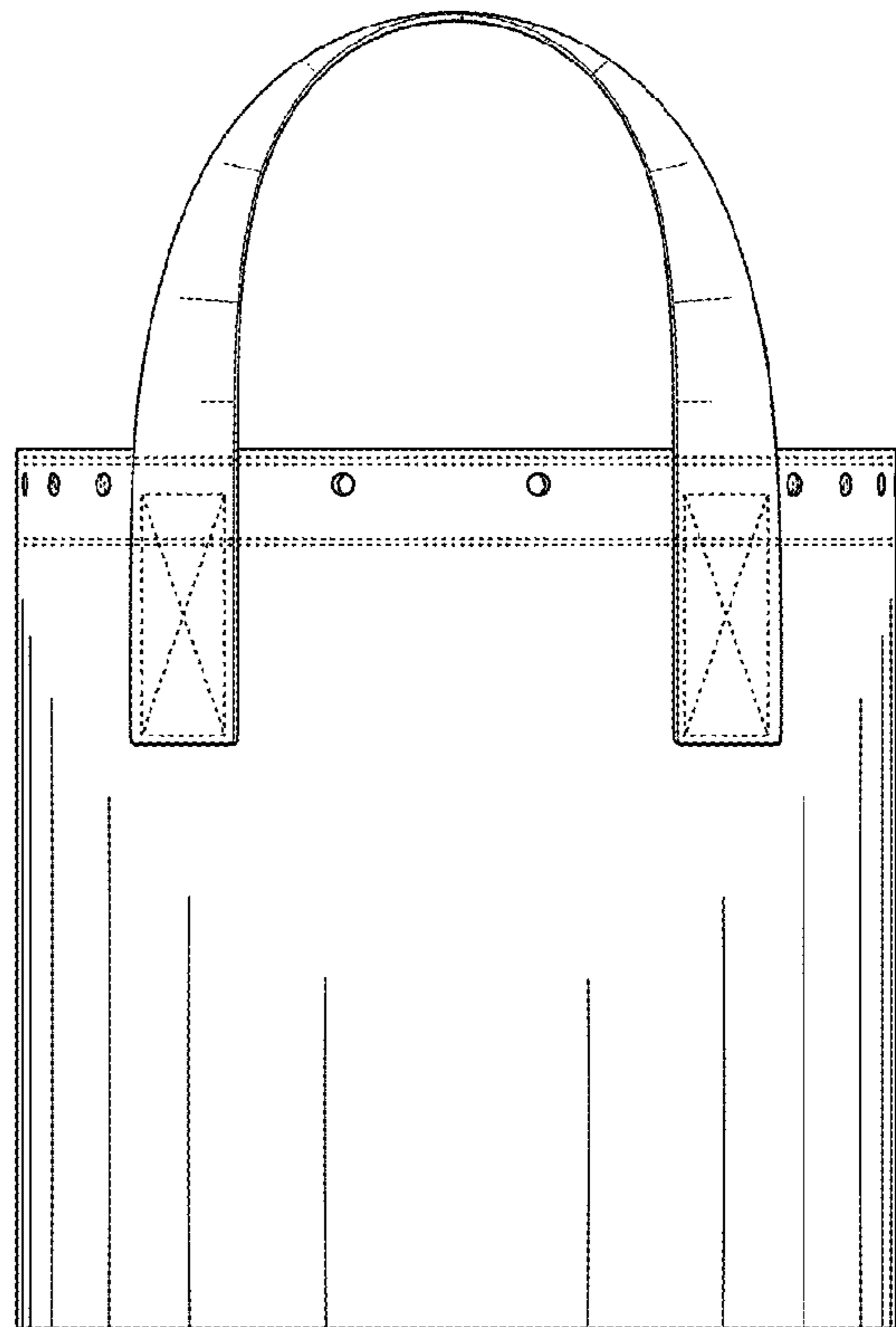


FIG. 5

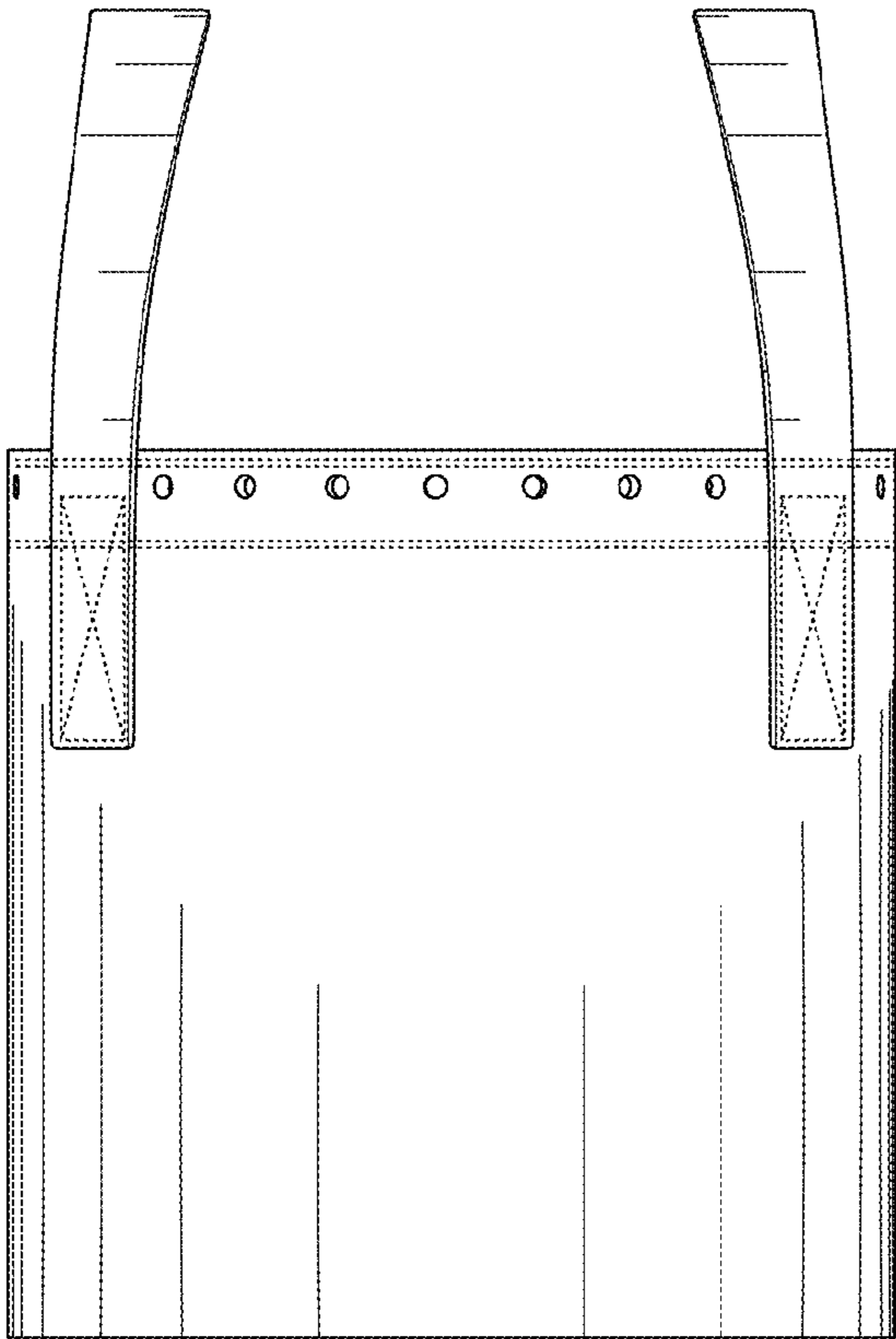


FIG. 6

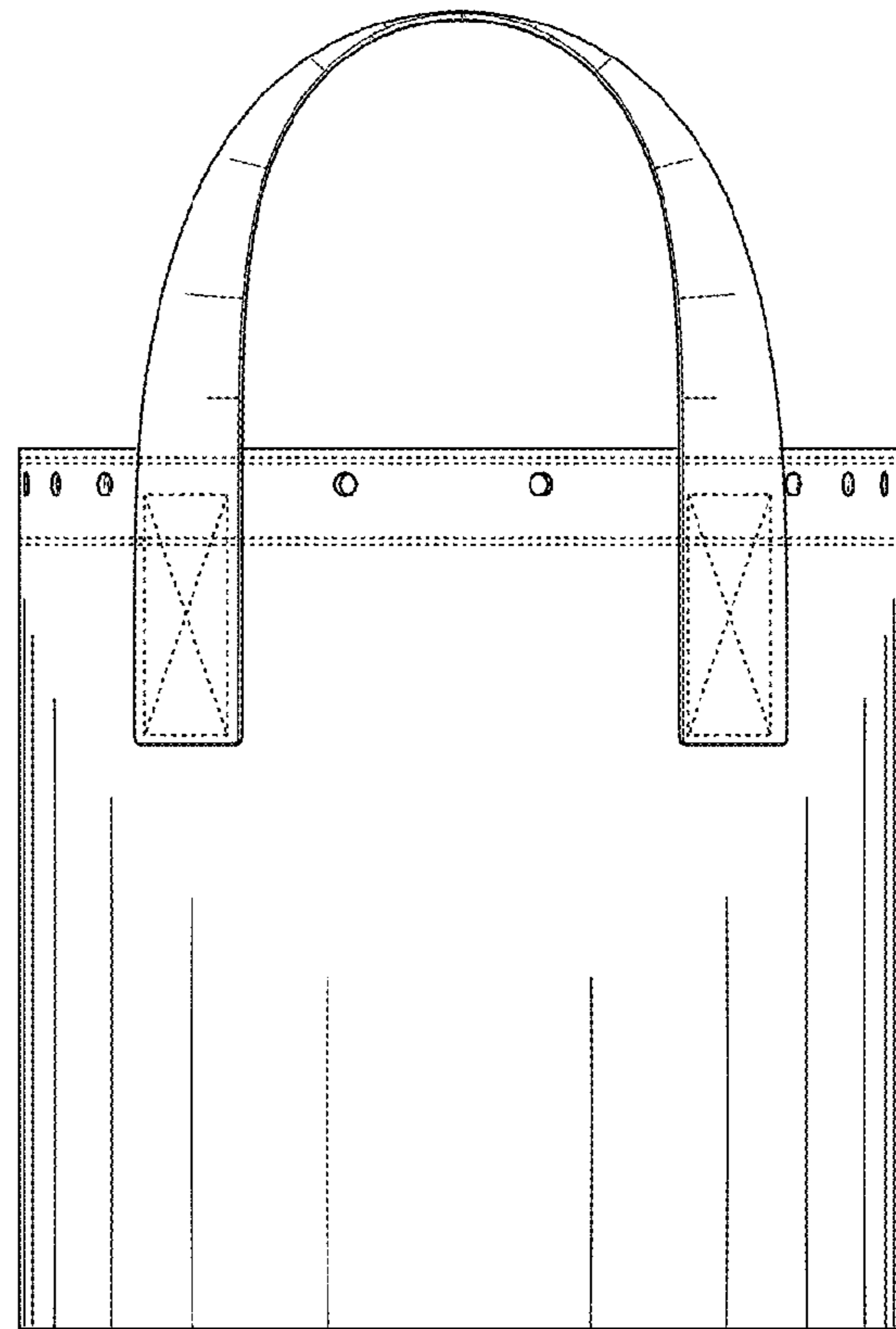


FIG. 7