



US00D984134S

(12) **United States Design Patent** (10) **Patent No.:** **US D984,134 S**  
**Cambon et al.** (45) **Date of Patent:** **\*\* Apr. 25, 2023**

(54) **OYSTER CASE**

(56) **References Cited**

(71) Applicant: **CAMBON & FILS**, Loupian (FR)

U.S. PATENT DOCUMENTS

(72) Inventors: **Philippe Cambon**, Meze (FR);  
**Christophe Cambon**, Loupian (FR)

D393,775 S *	4/1998	Otero .....	D7/553.6
D420,852 S *	2/2000	Demers .....	D7/553.6
D747,914 S *	1/2016	Schuler .....	D7/354
D804,325 S *	12/2017	Thompson .....	D9/758
D901,231 S *	11/2020	Waller, Jr. ....	D7/354
D934,630 S *	11/2021	Bacharach .....	D7/366
D935,274 S *	11/2021	Bacharach .....	D7/366

(\*\*) Term: **15 Years**

\* cited by examiner

(21) Appl. No.: **35/513,970**

(22) Filed: **Mar. 17, 2022**

*Primary Examiner* — Kelley A Donnelly

(80) **Hague Agreement Data**

Int. Filing Date: **Mar. 17, 2022**

Int. Reg. No.: **DM/219787**

Int. Reg. Date: **Mar. 17, 2022**

Int. Reg. Pub. Date: **Apr. 8, 2022**

(57) **CLAIM**

The ornamental design for an oyster case, as shown and described.

(51) **LOC (14) Cl.** ..... **03-01**

**DESCRIPTION**

(52) **U.S. Cl.**

USPC ..... **D3/304; D7/566**

(58) **Field of Classification Search**

USPC ..... **D3/304-305, 306-309, 328; D7/566,**  
**D7/601-602, 396.1, 412**

CPC ..... **A47J 27/00; A47J 27/04; A47J 27/043;**  
**A47J 36/16; A47J 37/00; A47J 37/01;**  
**A47J 37/047; A47G 2019/005; A47G**  
**19/02; A47G 21/00; A47G 21/067; A47G**  
**21/068**

- 1. Oyster case
- 1.1 : Top
- 1.2 : Perspective
- 1.3 : Perspective
- 1.4 : Front & rear view
- 1.5 : Bottom
- 1.6 : Perspective
- 1.7 : Perspective

Reusable and recyclable case used for oyster farming.

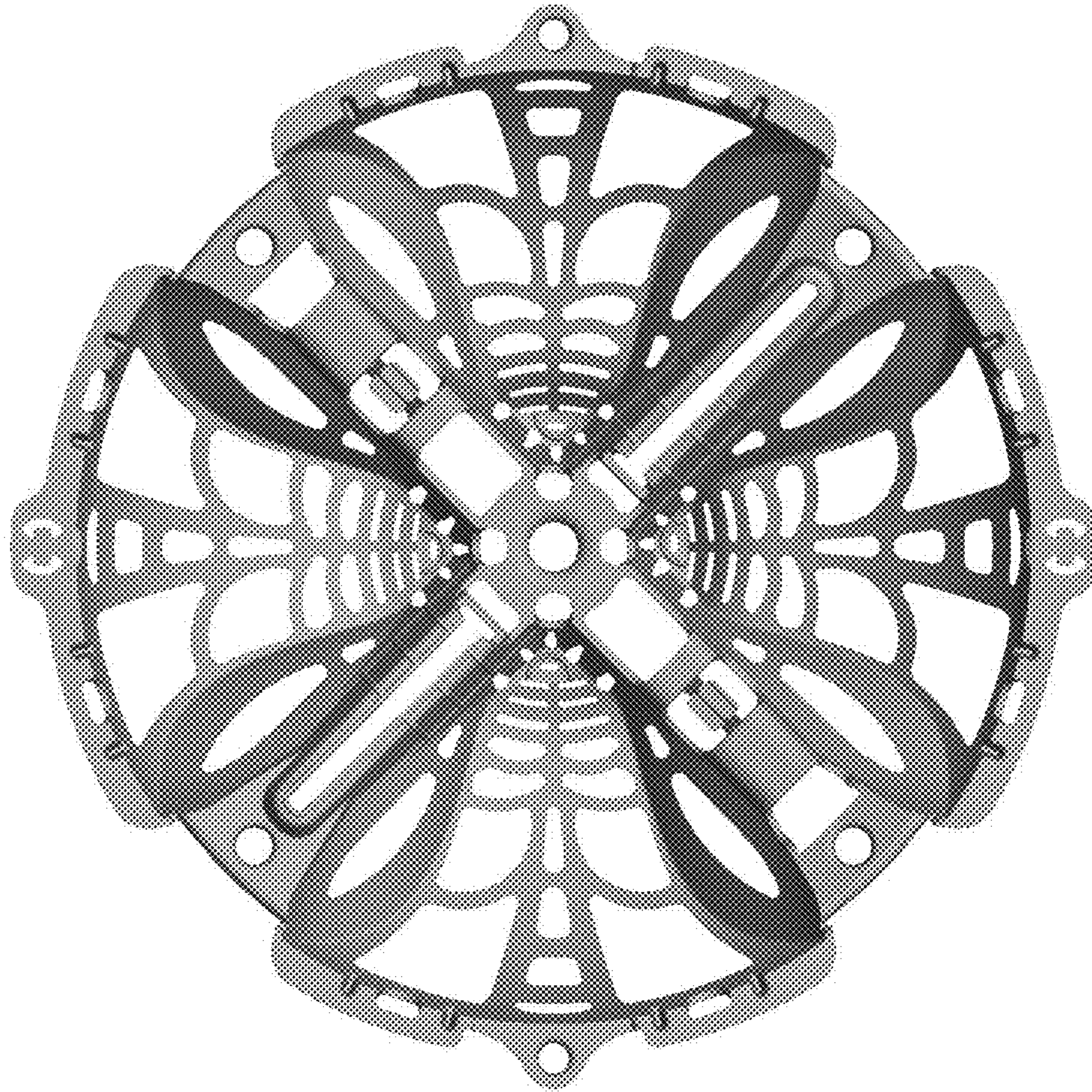
See application file for complete search history.

**1 Claim, 7 Drawing Sheets**



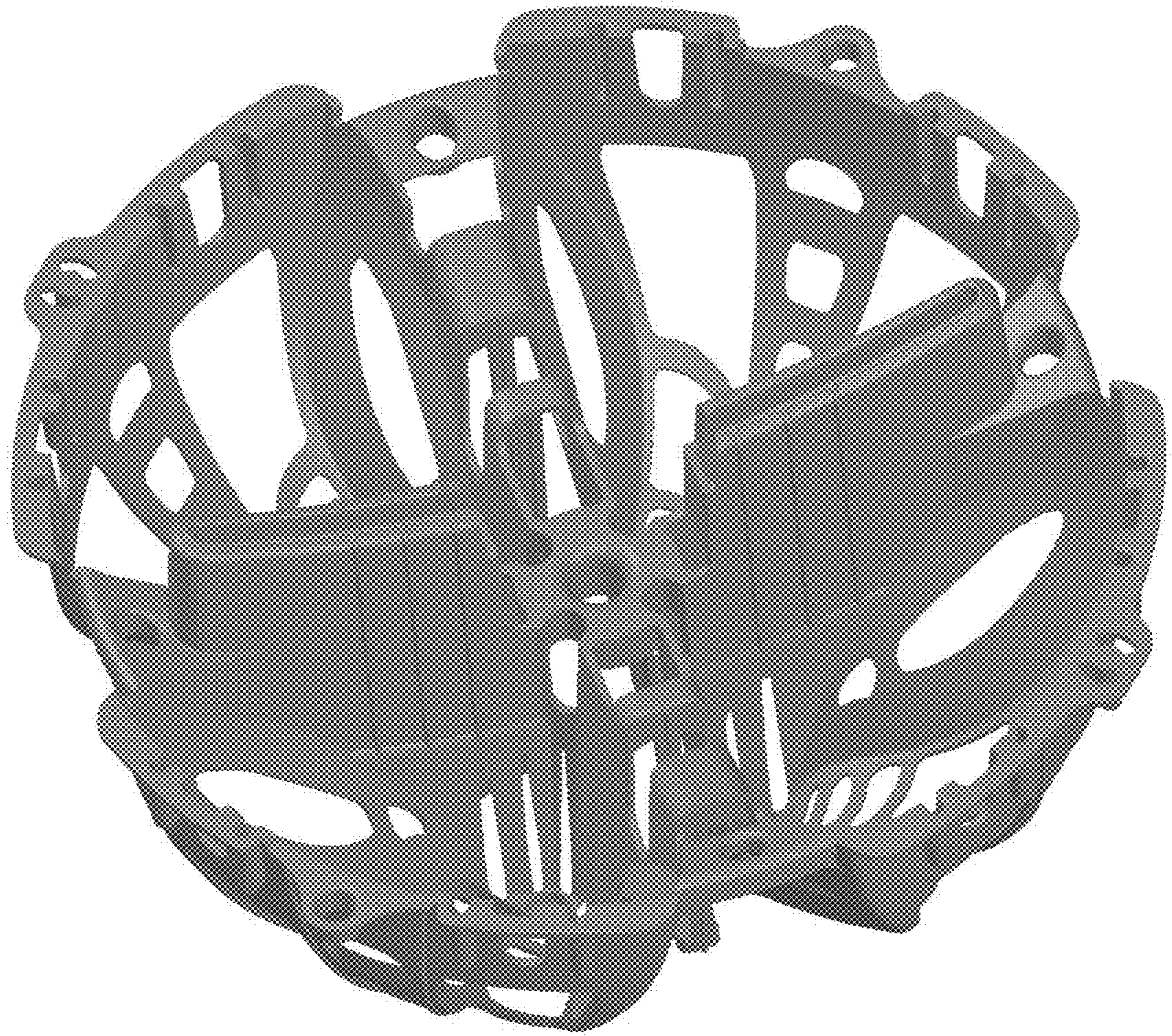


1.1



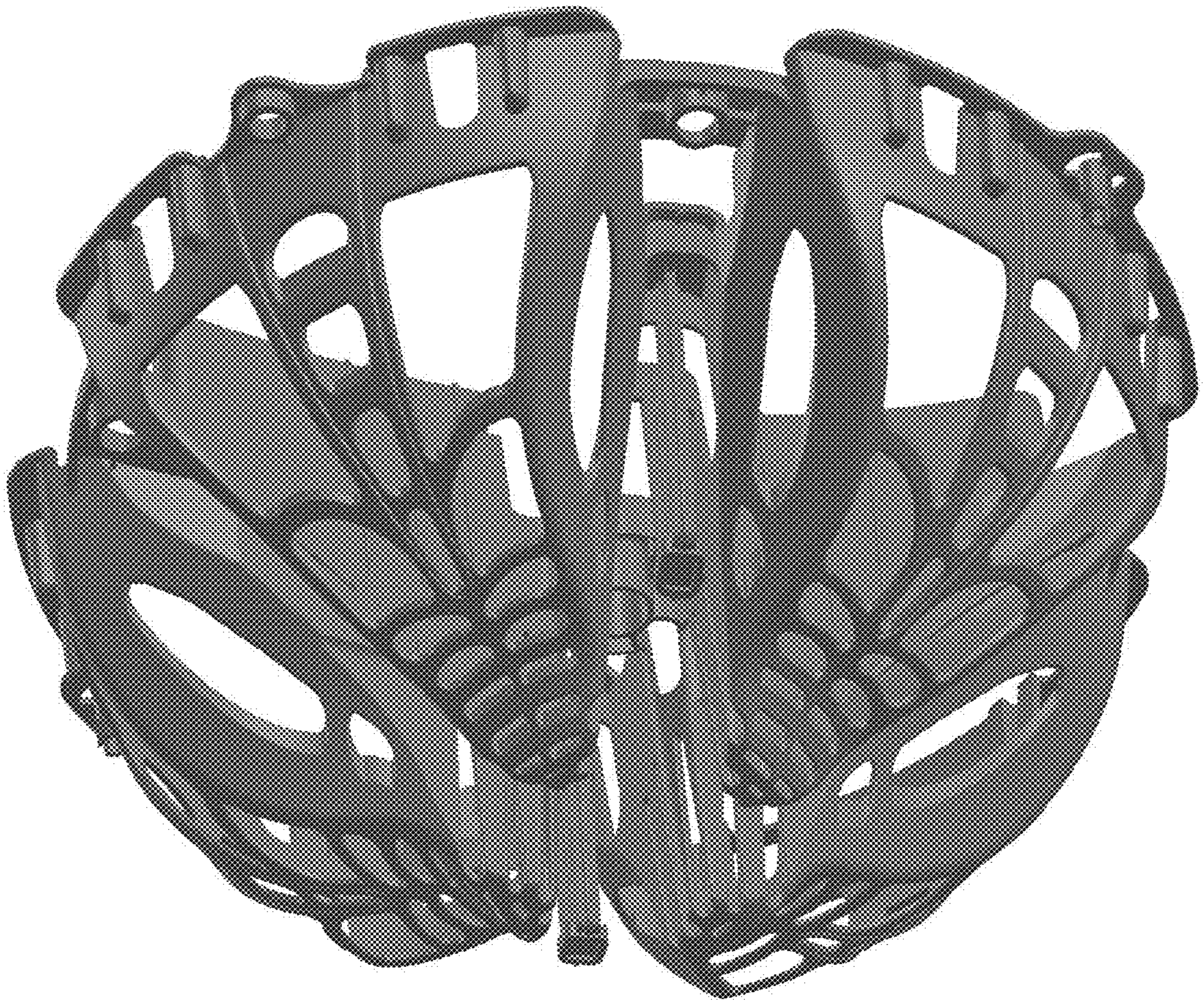


1.2



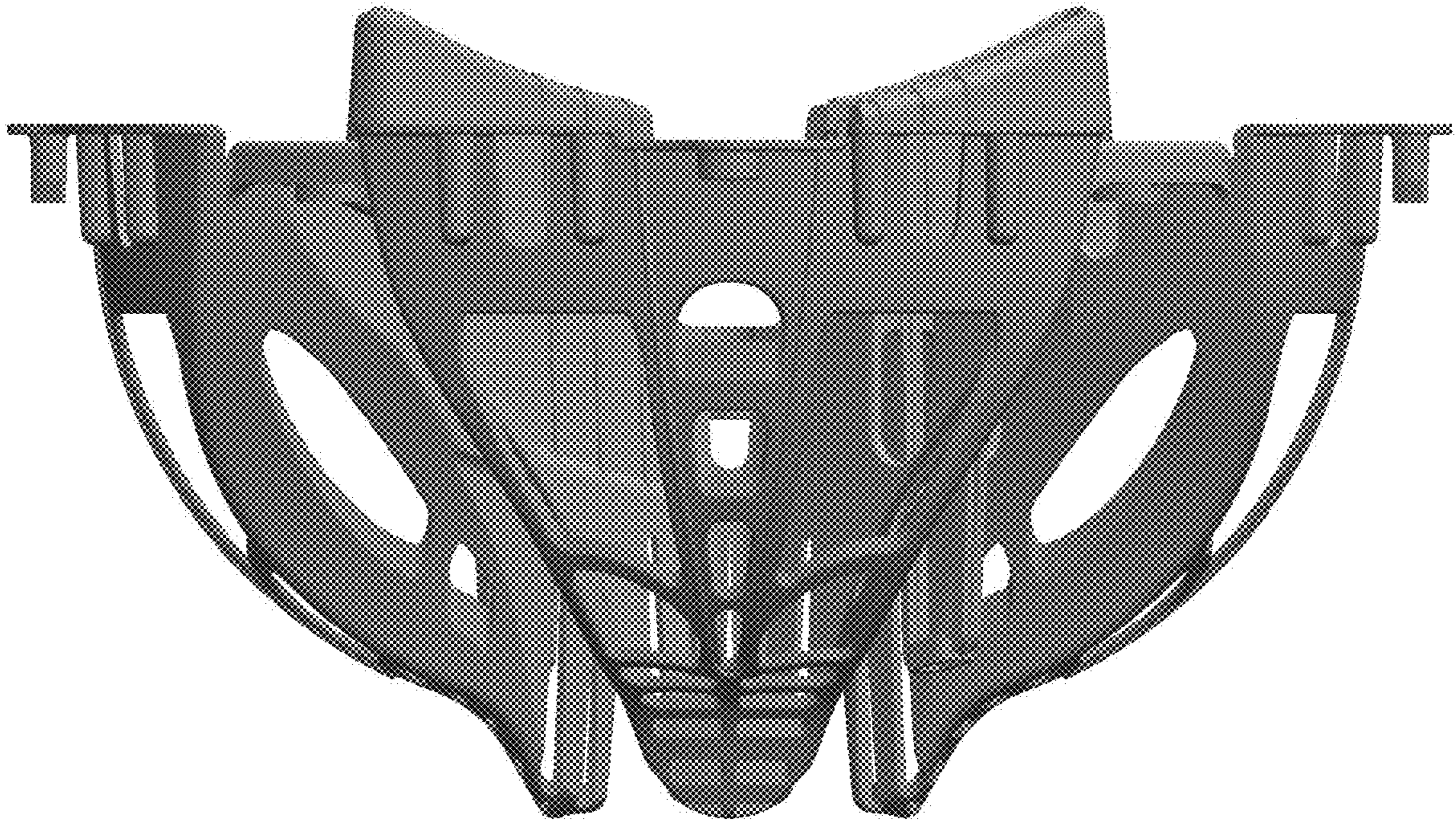


1.3



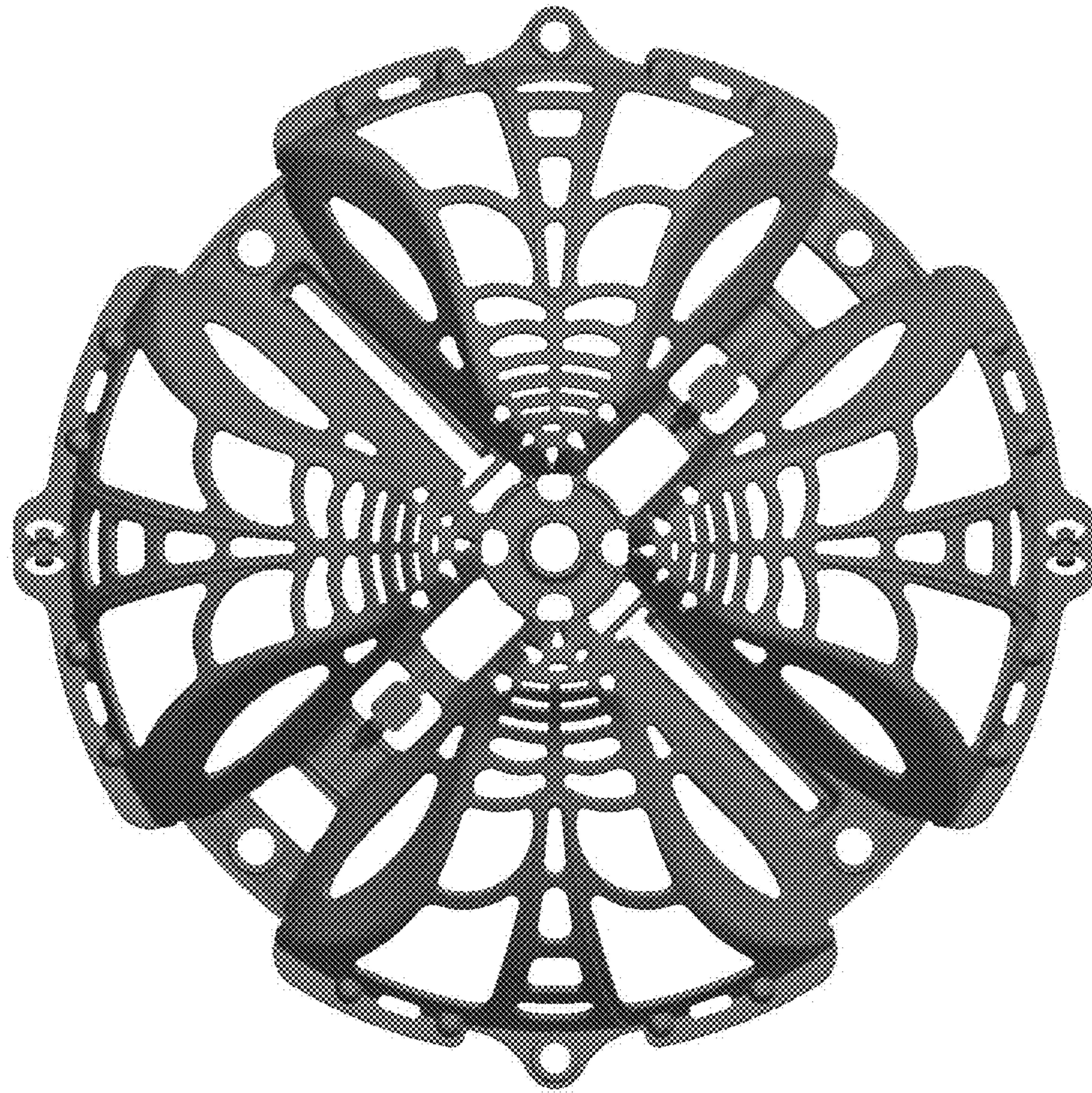


1.4



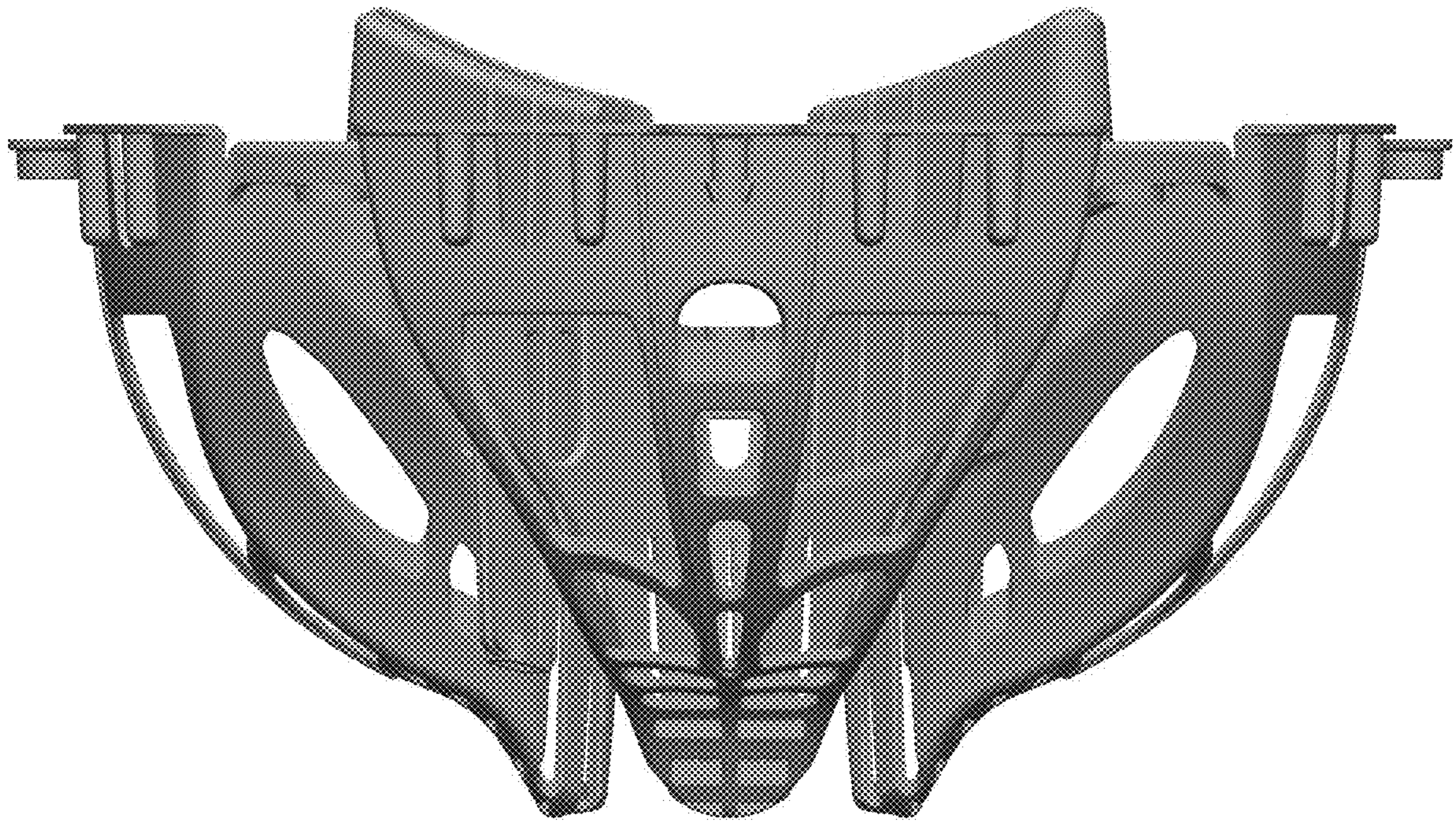


1.5





1.6





1.7

