



US00D984133S

(12) **United States Design Patent** (10) **Patent No.:** **US D984,133 S**
Deng (45) **Date of Patent:** **** Apr. 25, 2023**

- (54) **DECORATIVE BOX**
- (71) Applicant: **Qiuying Deng**, Nanchang (CN)
- (72) Inventor: **Qiuying Deng**, Nanchang (CN)
- (73) Assignee: **Qiuying Deng**, Nanchang (CN)
- (**) Term: **15 Years**

- (21) Appl. No.: **29/870,524**
- (22) Filed: **Jan. 29, 2023**
- (51) **LOC (14) Cl.** **08-08**
- (52) **U.S. Cl.**
USPC **D3/304**
- (58) **Field of Classification Search**
USPC D6/300, 310, 314, 405, 556-558;
D3/304, 315; D11/144, 155; D12/425
CPC A47G 7/02; A01G 31/06; A01G 9/029;
A01G 9/027; A01G 9/022; A01G 9/021;
A01G 9/00; A01G 9/02
See application file for complete search history.

(56) **References Cited**

U.S. PATENT DOCUMENTS

- 1,116,227 A * 11/1914 Bolger A01G 9/02
47/68
- 2,782,562 A * 2/1957 Watkins A01G 9/02
47/79
- 4,048,754 A * 9/1977 Laux A47H 27/00
217/65
- D274,967 S * 8/1984 Taylor D3/304
- D358,125 S * 5/1995 Jackson D12/414.1
- D366,450 S * 1/1996 Rabito A01G 9/02
D11/155
- D395,756 S * 7/1998 Tanji D3/307
- D530,919 S * 10/2006 Snell D3/304
- D530,921 S * 10/2006 Snell D3/304
- D569,304 S * 5/2008 Kurtz D6/405
- D591,510 S * 5/2009 Auer D3/304
- D593,767 S * 6/2009 Kurtz D6/405
- D600,916 S * 9/2009 Schäfer D3/304

- D612,608 S * 3/2010 Snell D3/304
 - D630,123 S * 1/2011 Ott D11/155
 - D648,652 S * 11/2011 Hawkins D11/155
 - D743,171 S * 11/2015 Reinhart D3/304
- (Continued)

FOREIGN PATENT DOCUMENTS

- NZ 423991 * 1/2018

OTHER PUBLICATIONS

Amazon.com, Poly-Pro Plastic Flower Box Planter Black, published Jul. 11, 2016, [retrieved Feb. 14, 2023]. Retrieved from the internet <<https://www.amazon.com/Novelty-Poly-Pro-Plastic-Planter-18-Inch/dp/B002HJ9RYC>> (Year: 2016).*

(Continued)

Primary Examiner — Joseph Kukella
Assistant Examiner — Lavon M. Amerson
(74) *Attorney, Agent, or Firm* — Nitin Kaushik

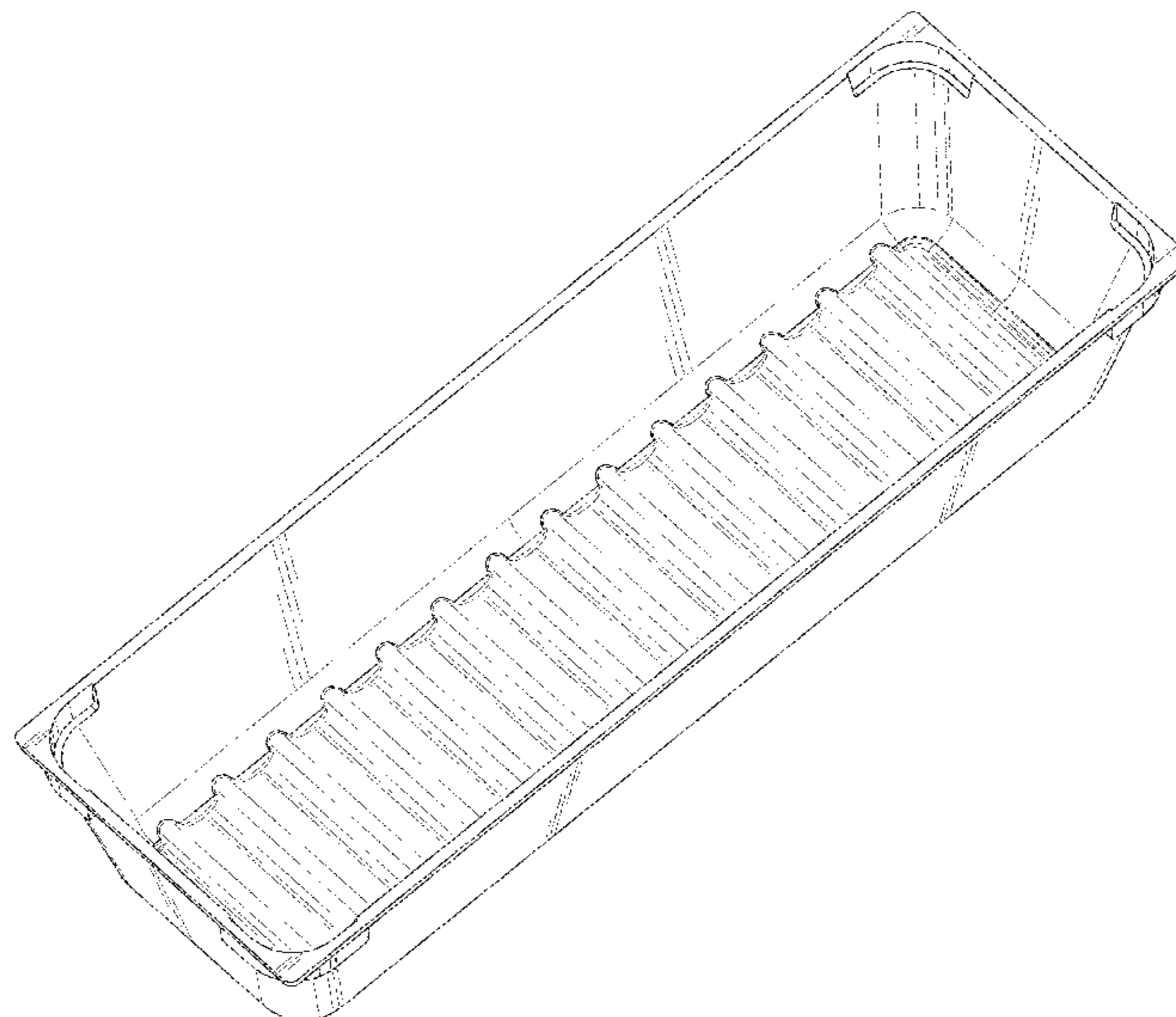
(57) **CLAIM**

The ornamental design for a decorative box, as shown and described.

DESCRIPTION

FIG. 1 is a top perspective view of a decorative box, showing my new design;
FIG. 2 is a bottom perspective view thereof;
FIG. 3 is a front view thereof;
FIG. 4 is a rear view thereof;
FIG. 5 is a left side view thereof;
FIG. 6 is a right side view thereof;
FIG. 7 is a top view thereof;
FIG. 8 is a bottom view thereof; and,
FIG. 9 is a usage state view thereof.
The broken lines in the drawings illustrate the portions of the decorative box, which form no part of the claimed design.

1 Claim, 9 Drawing Sheets



(56)

References Cited

U.S. PATENT DOCUMENTS

D904,030 S * 12/2020 Piccininni D3/304
D914,539 S * 3/2021 Joyce D11/155
D938,726 S * 12/2021 Stelmarski D3/304
D942,889 S * 2/2022 Montagano A01G 7/045
D11/155
D963,550 S 9/2022 Pan
2002/0088631 A1* 7/2002 Shimizu H02G 3/30
174/50
2005/0204621 A1* 9/2005 Garrison A01G 9/02
47/66.1
2011/0247267 A1* 10/2011 Lutzke A01G 9/02
47/65.7
2013/0108855 A1* 5/2013 Marchelli A01G 9/022
428/221
2019/0380288 A1* 12/2019 Gehin A01G 7/045

OTHER PUBLICATIONS

Amazon.com, Skelang 12 inch plastic Rectangular Plant Pot, published Jan. 10, 2020,[retrieved Feb. 14, 2023]. Retrieved from the internet<<https://www.amazon.com/Skelang-Rectangular-Watering-Container-Succulent/dp/B083Q6MKXX>> (Year: 2020).*

* cited by examiner

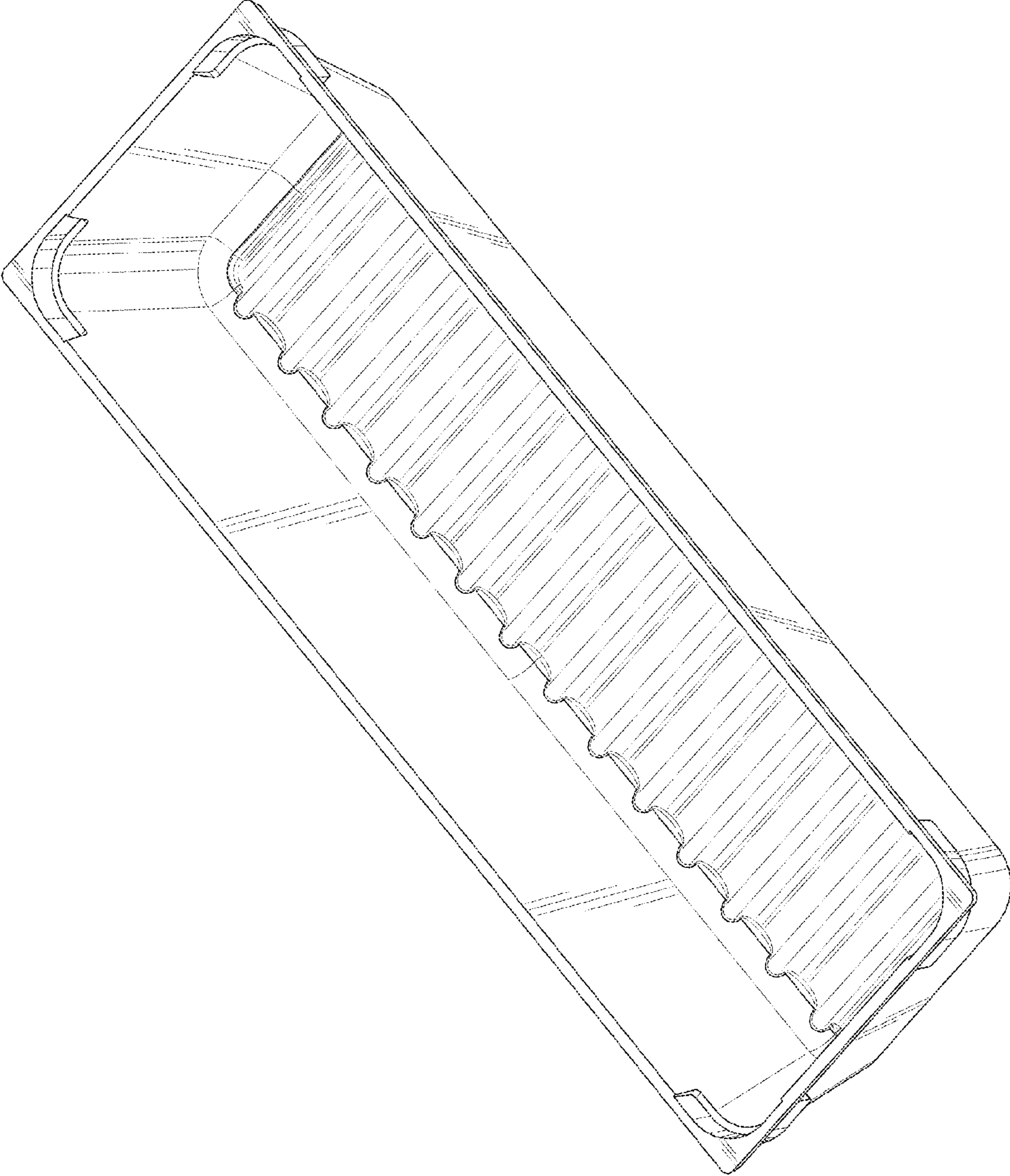


FIG.1

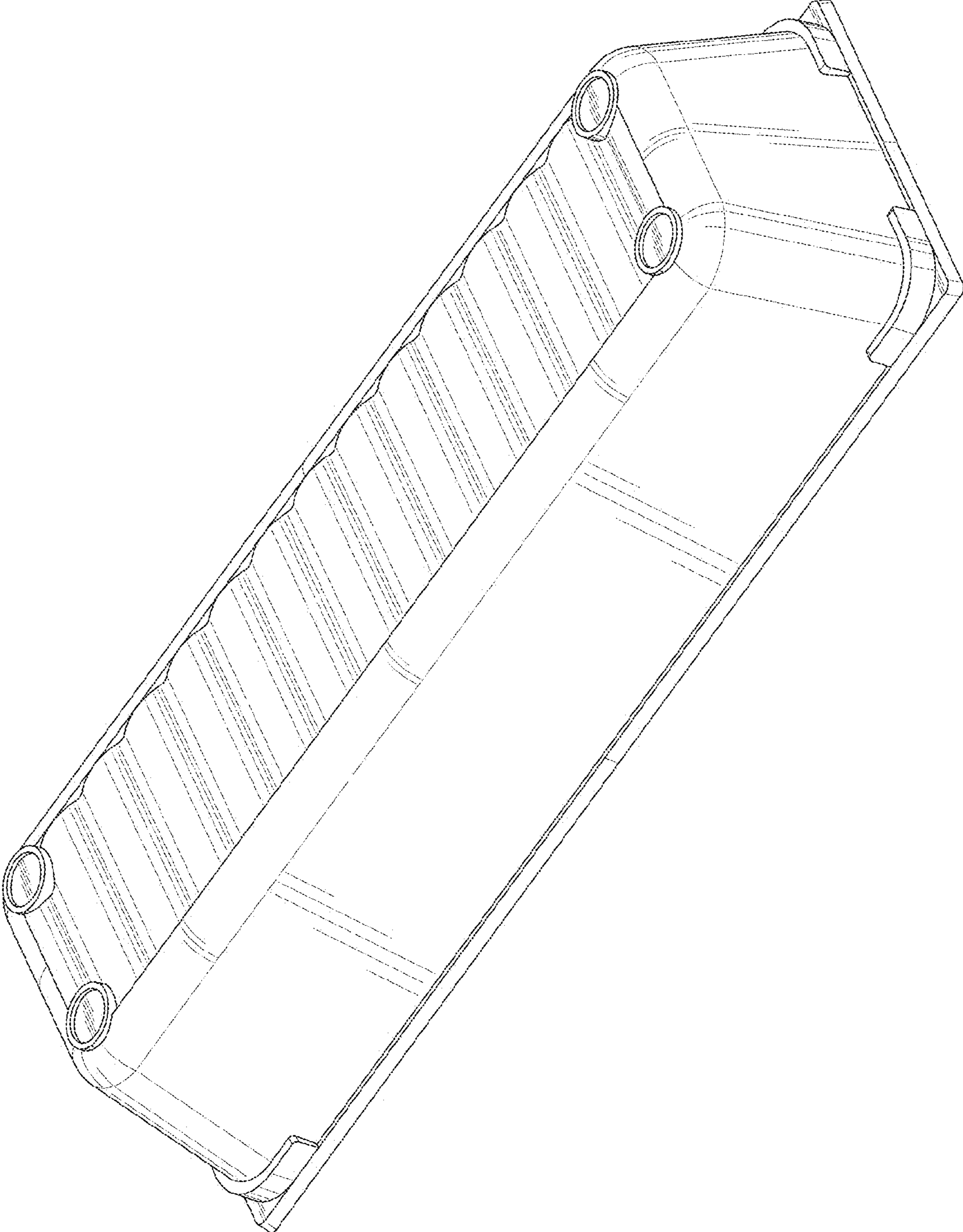


FIG.2

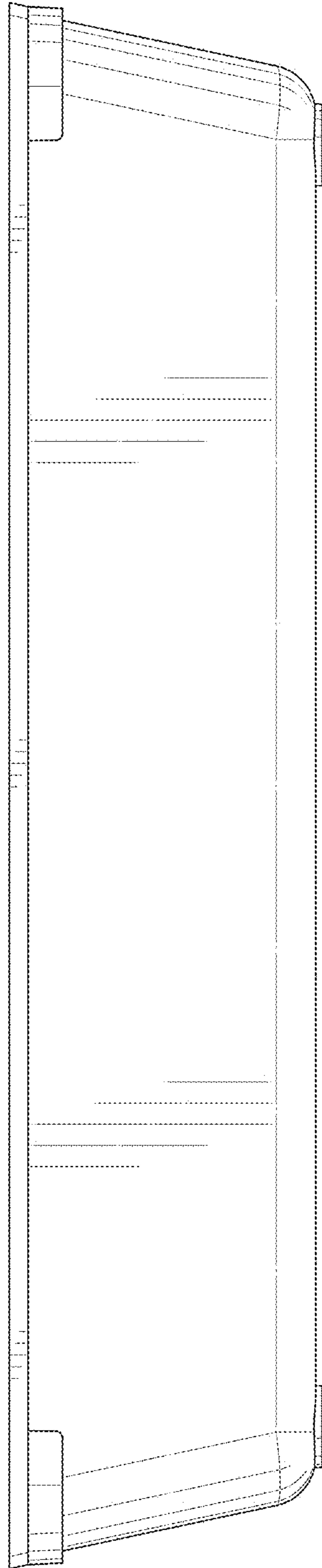


FIG.3

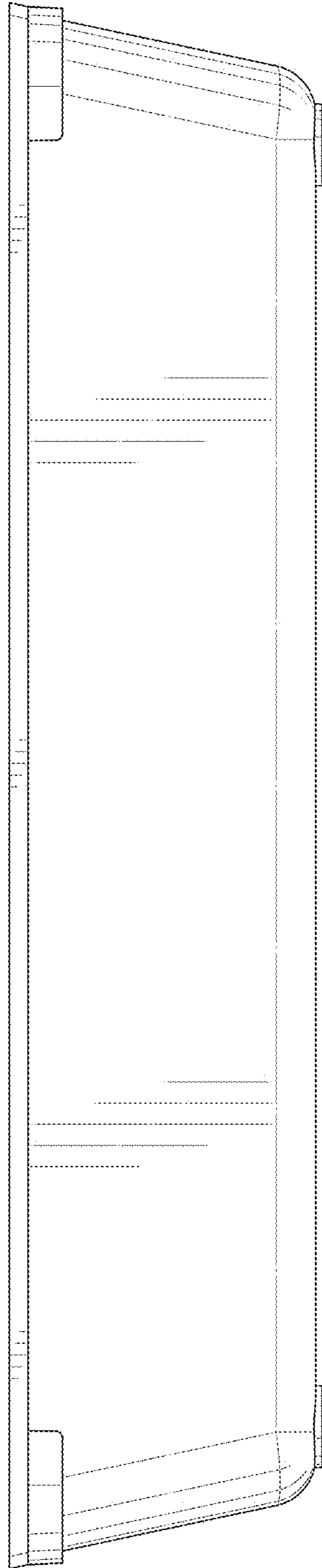


FIG.4

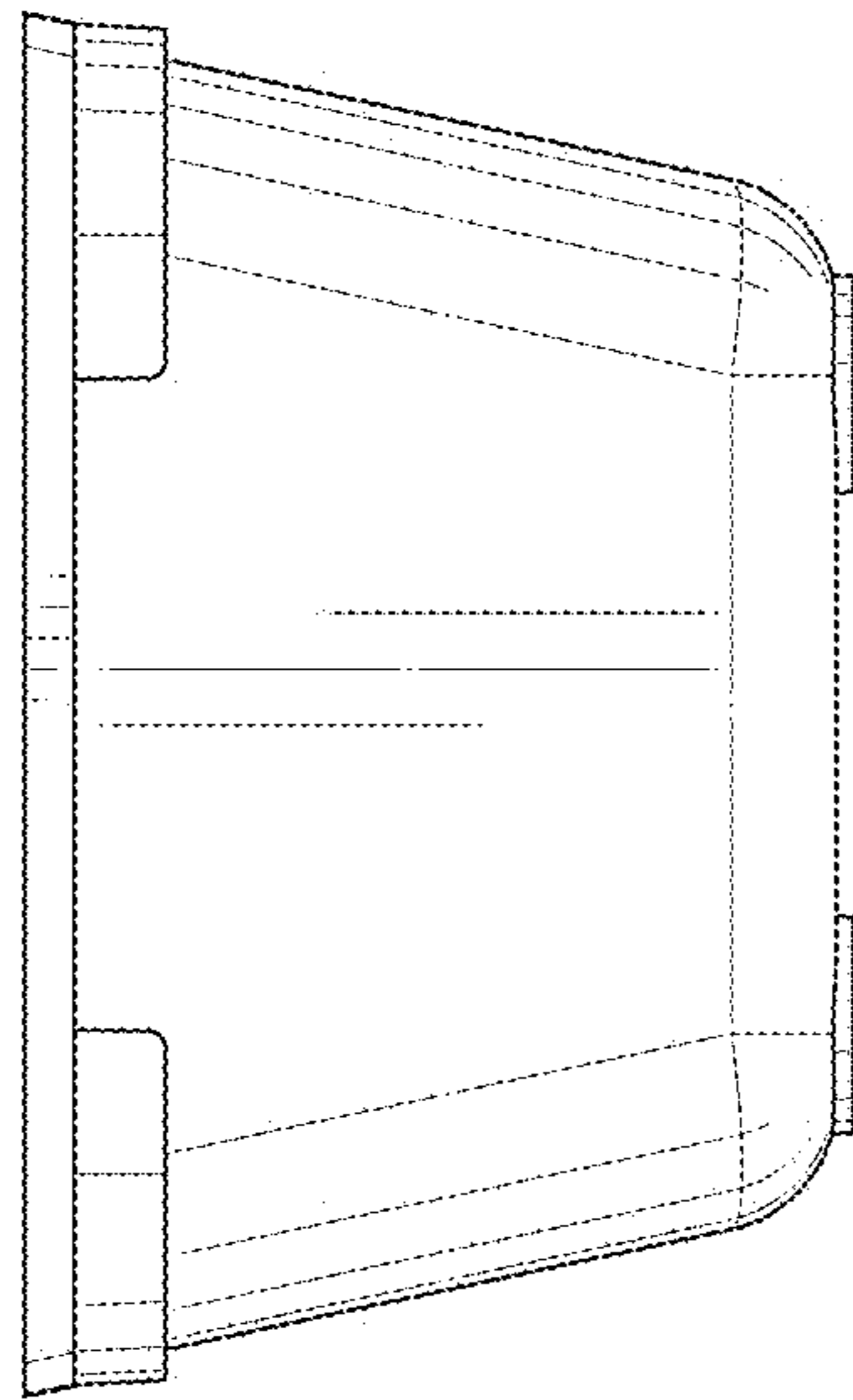


FIG. 5

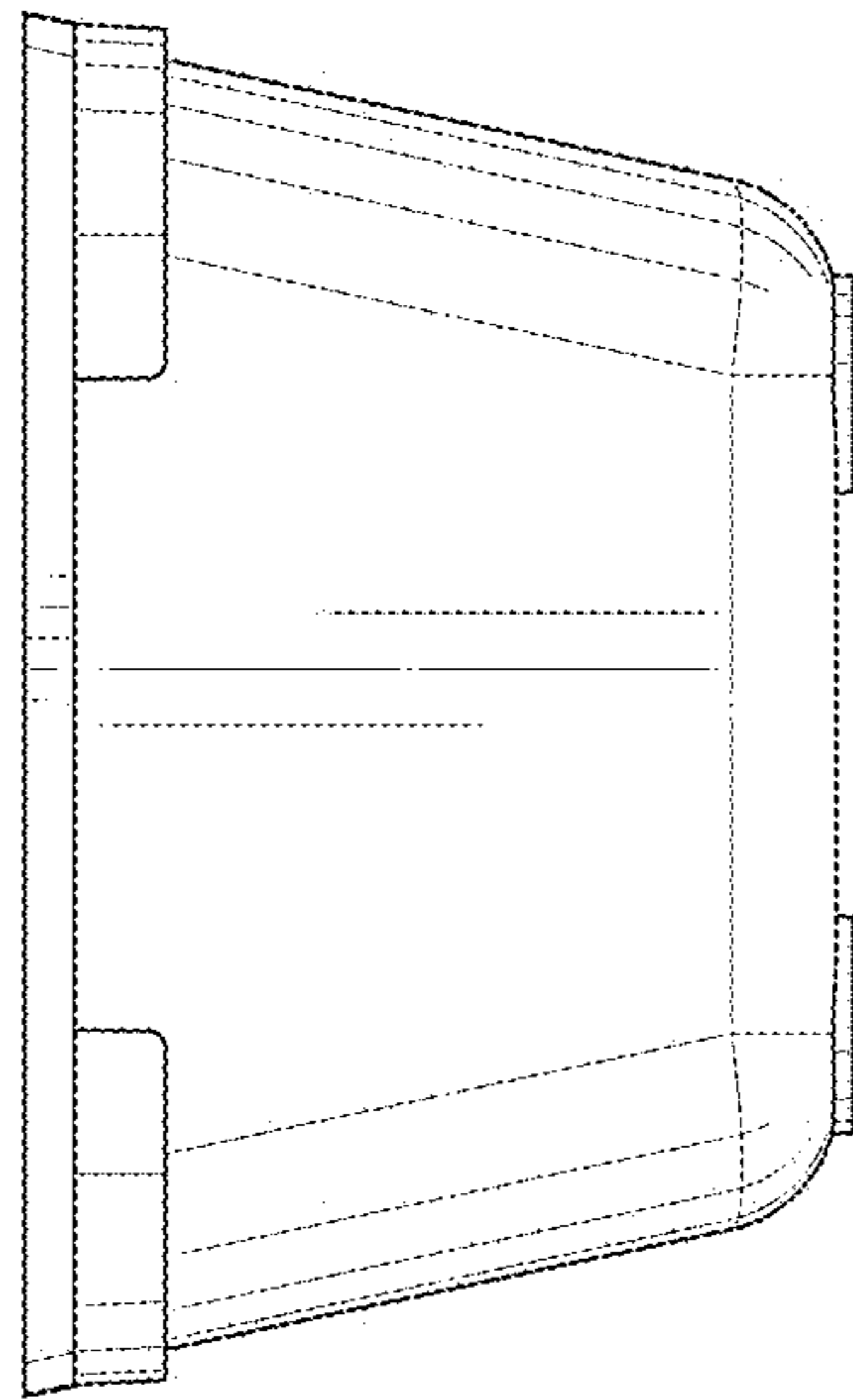


FIG.6

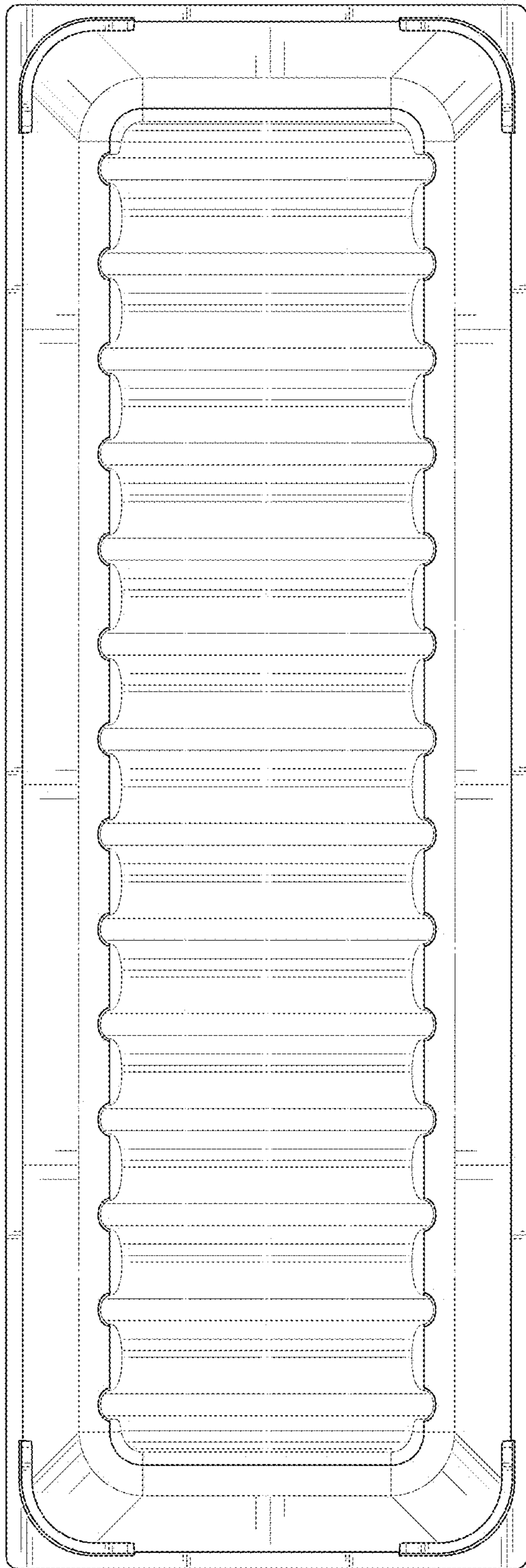


FIG. 7

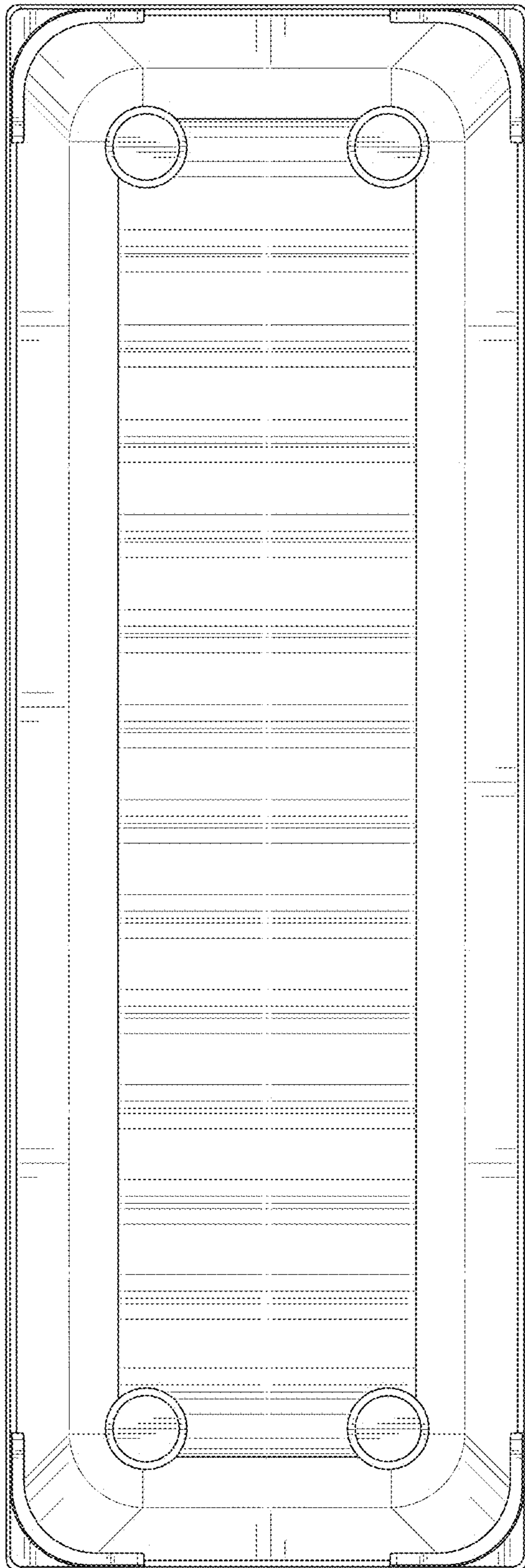


FIG. 8

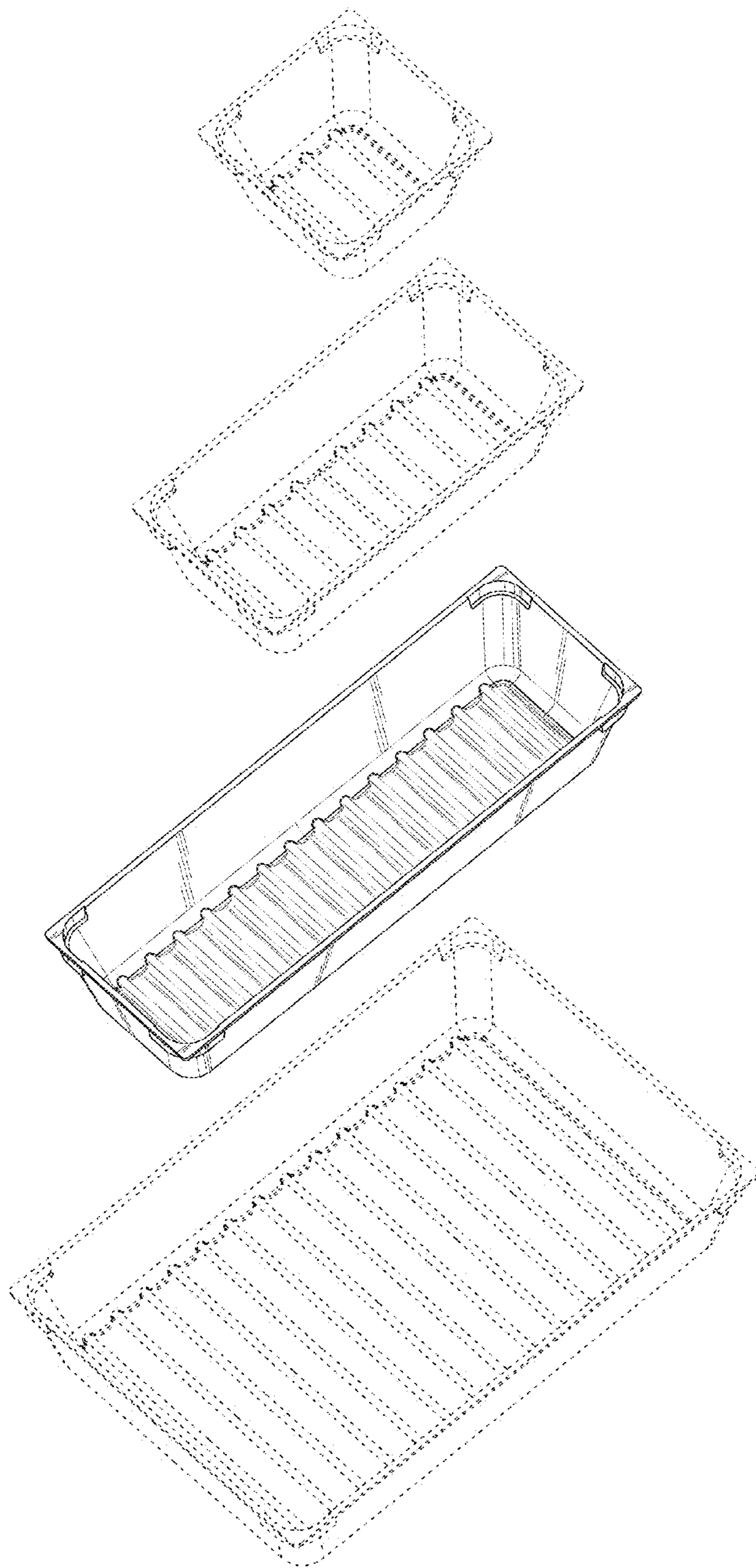


FIG. 9