



US00D984132S

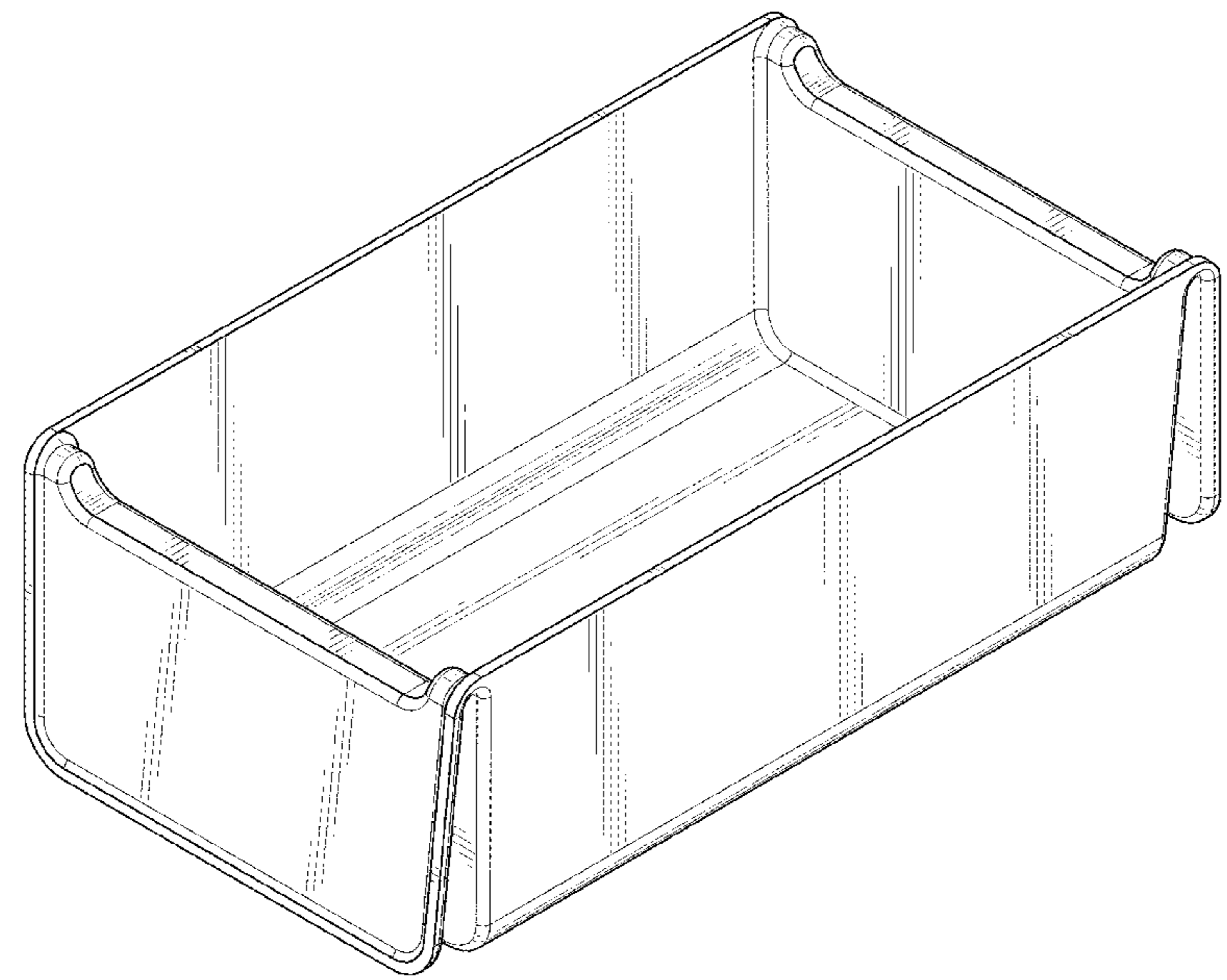
(12) **United States Design Patent** (10) **Patent No.:** **US D984,132 S**
Stachler et al. (45) **Date of Patent:** **** *Apr. 25, 2023**

(54) **BIN**
(71) Applicant: **Midmark Corporation**, Versailles, OH (US)
(72) Inventors: **Brian L. Stachler**, New Bremen, OH (US); **Rainer B. Teufel**, Worthington, OH (US); **Jeffrey T. DeBord**, Worthington, OH (US)
(73) Assignee: **Midmark Corporation**, Versailles, OH (US)
(*) Notice: This patent is subject to a terminal disclaimer.
(**) Term: **15 Years**
(21) Appl. No.: **29/772,339**
(22) Filed: **Mar. 1, 2021**
(51) **LOC (14) Cl.** **09-03**
(52) **U.S. Cl.**
USPC **D3/304**
(58) **Field of Classification Search**
USPC D3/302, 304, 305, 307, 309-314, 318, D3/319, 323; D7/560-562, 602, 605; D9/702-714, 719, 738-740, 517-518, D9/522, 416, 425, 435, 444, 460, 455, D9/414, 499, 431-432; D24/100-234
CPC A45C 7/0077; A45C 3/04; A45C 3/10; B65D 43/0218; B65D 33/02; B65D 33/00; B65D 33/06; B65D 33/065; B65D 33/14; B65D 33/1683; B65D 33/12; B65D 33/24; B65D 31/00; B65D 31/04; B65D 31/10; B65D 21/222; B65D 21/233; B65D 21/62; B65D 21/223; B65D 25/2841; B65D 25/25; B65D 81/3813; B65D 81/3823; D06F 95/002
See application file for complete search history.

(56) **References Cited**
U.S. PATENT DOCUMENTS
D235,054 S * 5/1975 Herman D3/304
D376,693 S * 12/1996 Wolff D3/323
D436,729 S * 1/2001 Aiken D3/304
D596,857 S * 7/2009 Ahlgrim D3/307
D753,918 S * 4/2016 Lindsay D19/86
D758,730 S * 6/2016 Berger D3/304
D836,339 S * 12/2018 Winn B65D 5/6697
D901,293 S * 11/2020 Plattner D3/294
D903,317 S * 12/2020 Kyte D9/425
D914,368 S * 3/2021 Gruenbeck D3/272
D938,894 S * 12/2021 Guo D12/423
D949,566 S * 4/2022 Ritzberger D3/272
2022/0089324 A1 * 3/2022 Whitta D9/425
B65D 1/22
* cited by examiner
Primary Examiner — Mary Shannon Malley
Assistant Examiner — Christopher John Suarez La Rosa
(74) *Attorney, Agent, or Firm* — Frost Brown Todd LLP

(57) **CLAIM**
The ornamental design for a bin, as shown and described.

DESCRIPTION
FIG. 1 is a top front perspective view of a bin showing our new design;
FIG. 2 is a front elevational view thereof, the rear elevational view being identical;
FIG. 3 is a right side elevational view thereof, the left side elevational view being identical;
FIG. 4 is a top plan view thereof; and,
FIG. 5 is a bottom plan view thereof.
1 Claim, 5 Drawing Sheets



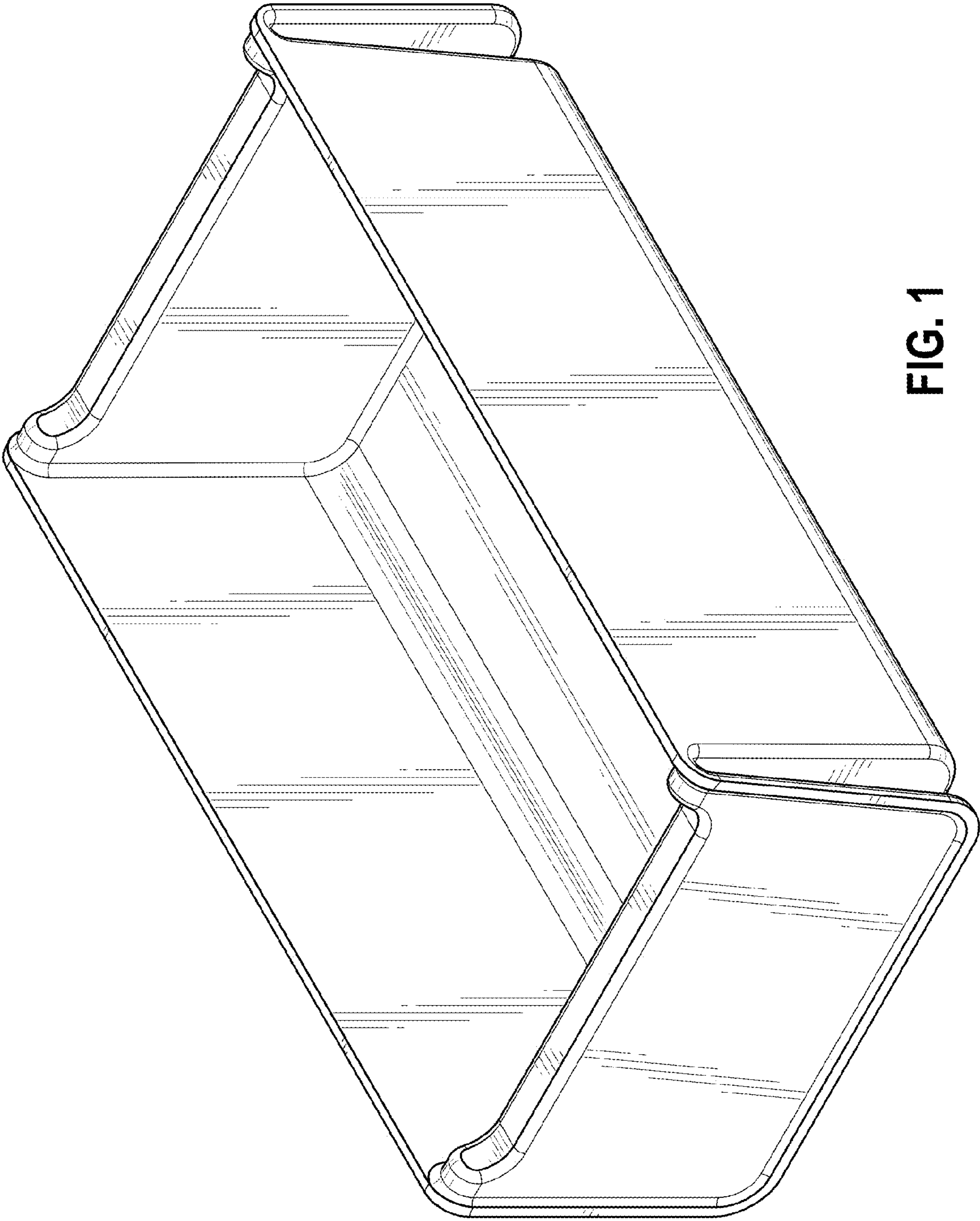


FIG. 1

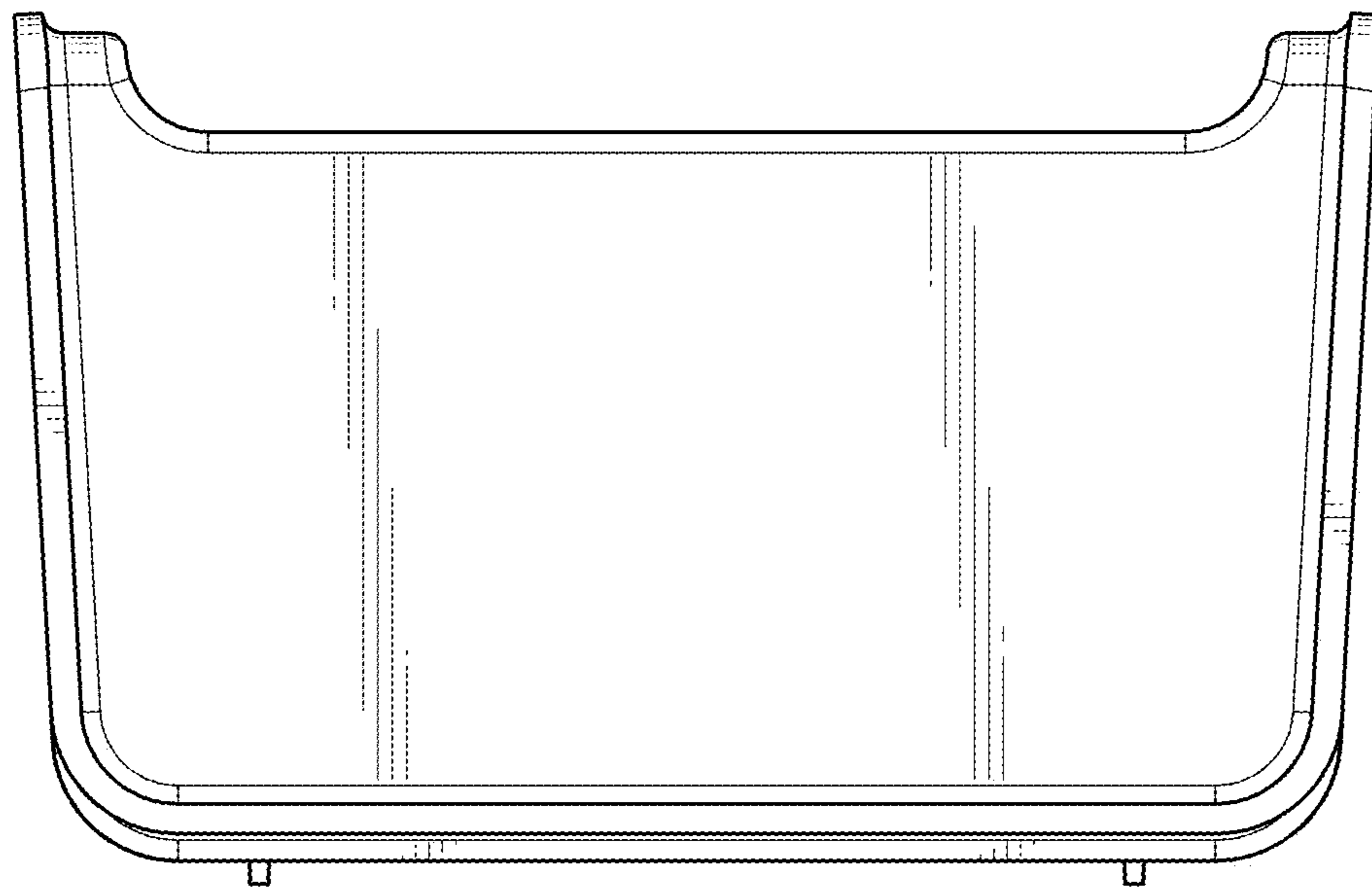


FIG. 2

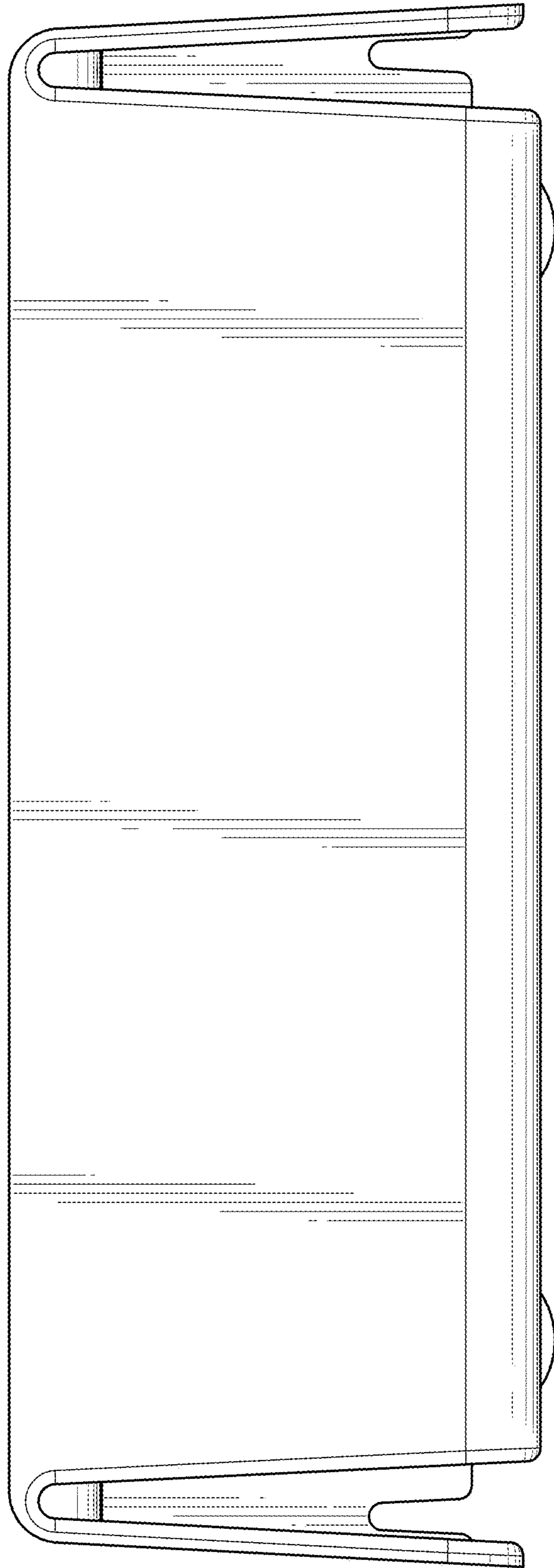


FIG. 3

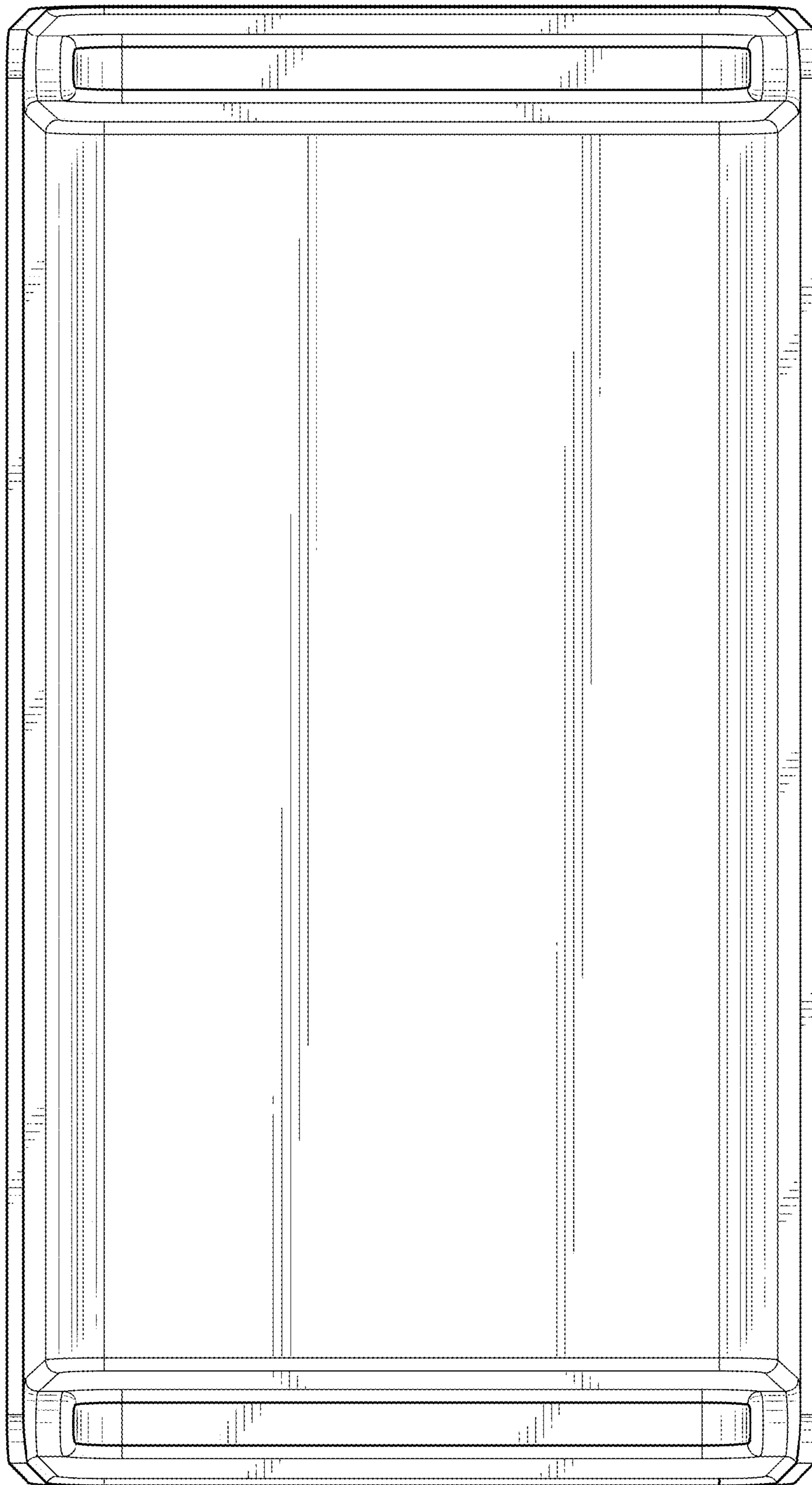


FIG. 4

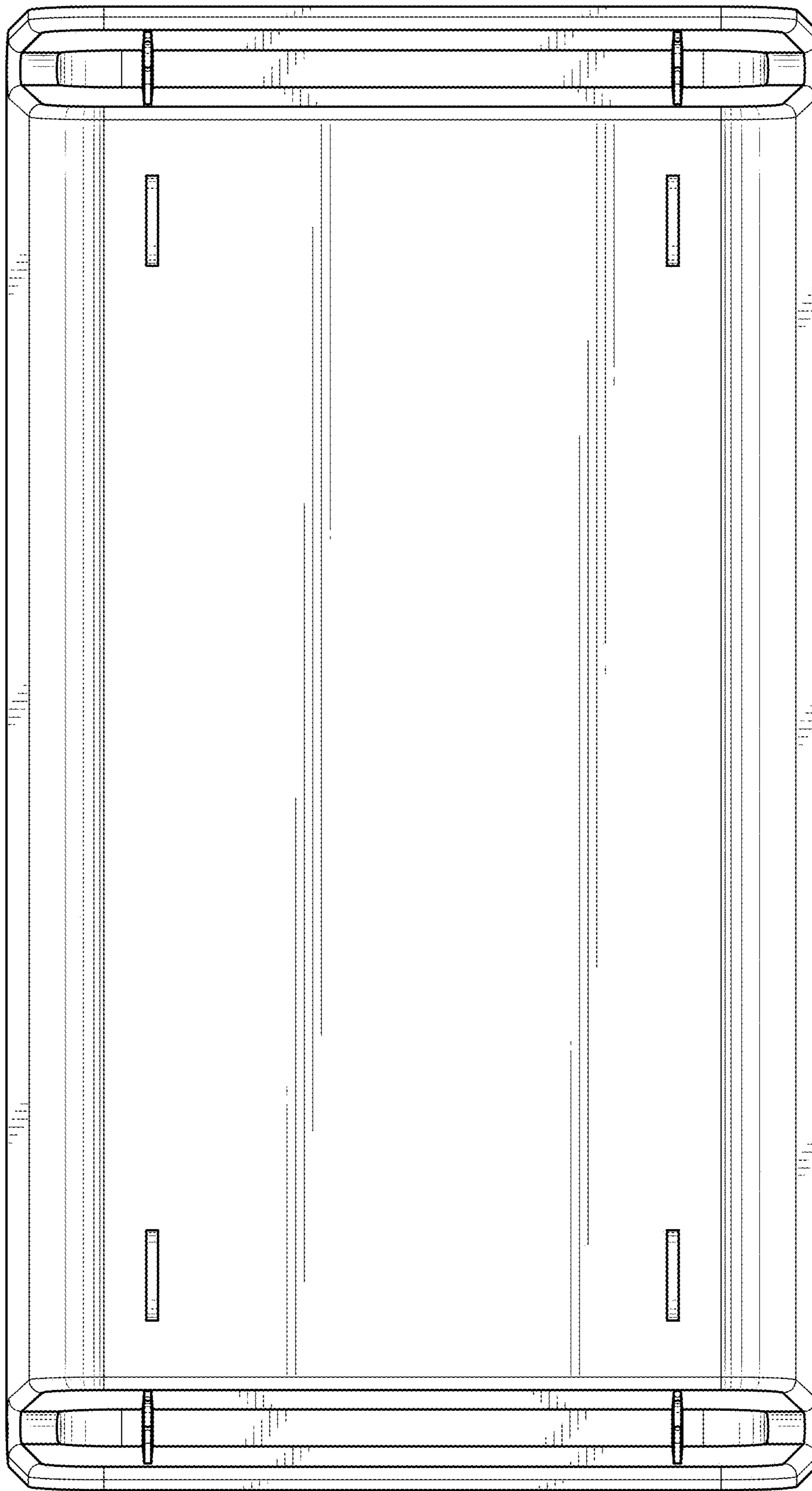


FIG. 5