



US00D984128S

(12) **United States Design Patent**  
**Resnick**

(10) **Patent No.:** **US D984,128 S**  
(45) **Date of Patent:** **\*\* Apr. 25, 2023**

(54) **WHEELED GOLF BAG**

(57) **CLAIM**

(71) Applicant: **Grant Resnick**, Upper Saddle River,  
NJ (US)

The ornamental design for a wheeled golf bag, as shown and described.

(72) Inventor: **Grant Resnick**, Upper Saddle River,  
NJ (US)

(\*\*) Term: **15 Years**

(21) Appl. No.: **29/806,164**

(22) Filed: **Sep. 1, 2021**

(51) **LOC (14) Cl.** ..... **03-01**

(52) **U.S. Cl.**  
USPC ..... **D3/255**

(58) **Field of Classification Search**  
USPC ..... D3/201, 221, 254, 255, 328, 328.1, 320;  
D34/15  
CPC ... A63B 55/00-40; A63B 55/53; A63B 55/57;  
A63B 55/60  
See application file for complete search history.

(56) **References Cited**

**U.S. PATENT DOCUMENTS**

- 2,800,953 A \* 7/1957 Goehler ..... B62B 5/085  
297/129
  - D273,905 S \* 5/1984 Rosen ..... D34/15
  - 5,215,194 A \* 6/1993 Blanford ..... A63B 55/60  
280/DIG. 6
  - D396,919 S \* 8/1998 Henderson ..... D34/15
- (Continued)

**FOREIGN PATENT DOCUMENTS**

GB 2354174 A \* 3/2001 ..... A63B 55/60

**OTHER PUBLICATIONS**

Wheeled golf bag google search; google.com; Feb. 22, 2023.\*

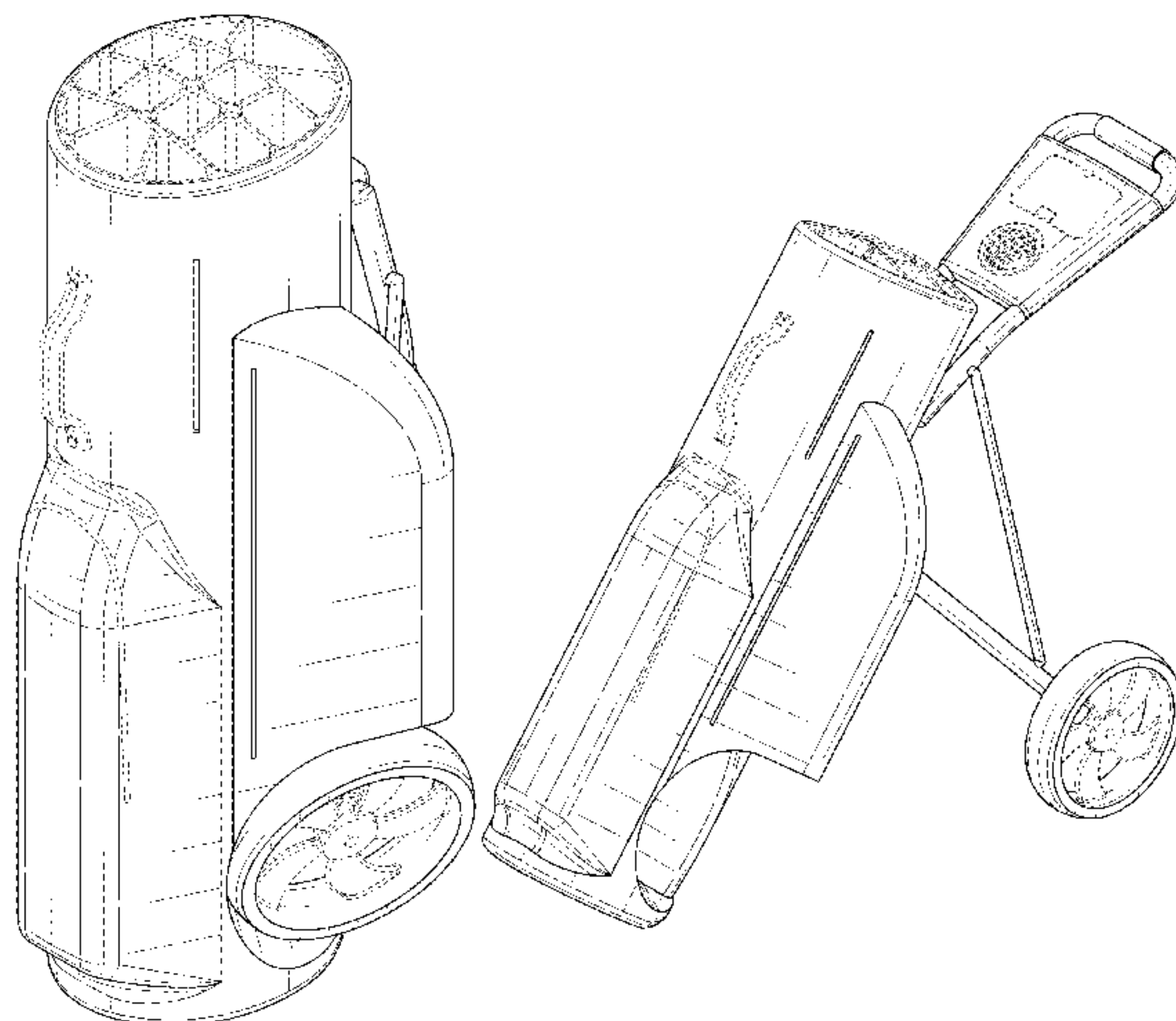
*Primary Examiner* — Mitchell I. Siegel

(74) *Attorney, Agent, or Firm* — Lawrence B. Goodwin;  
Mandelbaum Barrett PC

**DESCRIPTION**

FIG. 1 is a top, right, front perspective view showing the wheeled golf bag in a wheel-retracted configuration; FIG. 2 is a front view showing the wheeled golf bag in a wheel-retracted configuration; FIG. 3 is a rear view showing the wheeled golf bag in a wheel-retracted configuration; FIG. 4 is a left side view showing the wheeled golf bag in a wheel-retracted configuration; FIG. 5 is a right side view showing the wheeled golf bag in a wheel-retracted configuration; FIG. 6 is a top view showing the wheeled golf bag in a wheel-retracted configuration; FIG. 7 is a bottom view showing the wheeled golf bag in a wheel-retracted configuration; FIG. 8 is a bottom, left, rear view showing the wheeled golf bag in a wheel-retracted configuration; FIG. 9 is a top, right, front perspective view showing the wheeled golf bag in a wheel-extended configuration; FIG. 10 is a front view showing the wheeled golf bag in a wheel-extended configuration; FIG. 11 is a rear view showing the wheeled golf bag in a wheel-extended configuration; FIG. 12 is a left side view showing the wheeled golf bag in a wheel-extended configuration; FIG. 13 is a right side view showing the wheeled golf bag in a wheel-extended configuration; FIG. 14 is a top view showing the wheeled golf bag in a wheel-extended configuration; FIG. 15 is a bottom view showing the wheeled golf bag in a wheel-extended configuration; and, FIG. 16 is a bottom, left, rear view showing the wheeled golf bag in a wheel-extended configuration. The broken lines shown on the drawings form no part of the claimed design.

**1 Claim, 15 Drawing Sheets**



(56)

**References Cited**

U.S. PATENT DOCUMENTS

5,967,543 A \* 10/1999 Taylor ..... B62B 1/045  
280/DIG. 6  
6,007,031 A \* 12/1999 Tang ..... A63B 55/60  
280/646  
6,068,270 A \* 5/2000 Kim ..... A63B 55/57  
280/DIG. 6  
D468,098 S \* 1/2003 Lu ..... D3/255  
D488,606 S \* 4/2004 Scholz ..... D34/15  
7,347,443 B2 \* 3/2008 Barton ..... A63B 55/50  
280/DIG. 6  
D593,322 S \* 6/2009 Blyth ..... D3/255  
7,926,835 B2 \* 4/2011 Barton ..... A63B 55/50  
280/DIG. 6  
10,532,259 B2 \* 1/2020 Logan ..... A63B 55/30  
2006/0232031 A1 \* 10/2006 Sweeney ..... B62B 1/045  
280/47.18  
2021/0322840 A1 \* 10/2021 Chorne ..... A63B 55/57

\* cited by examiner

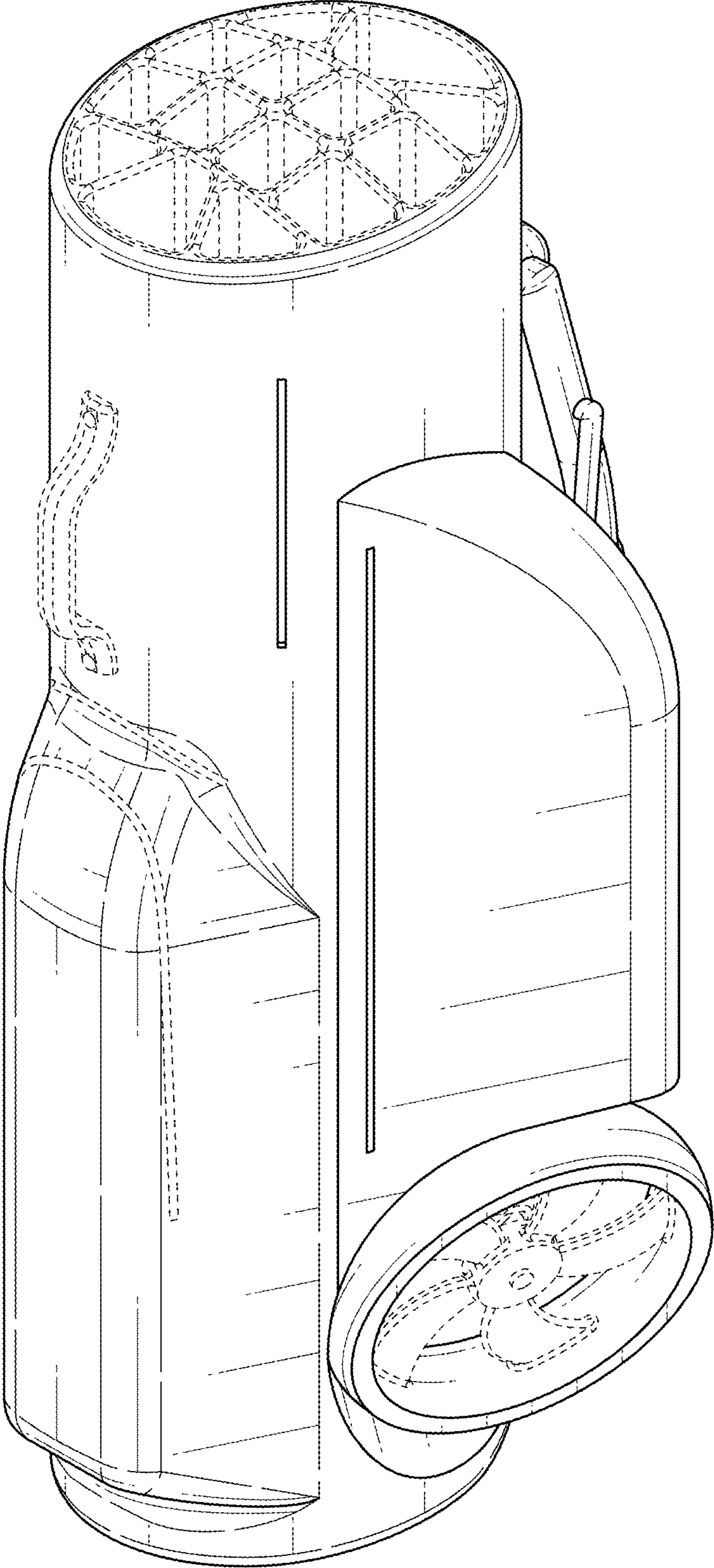


FIG. 1

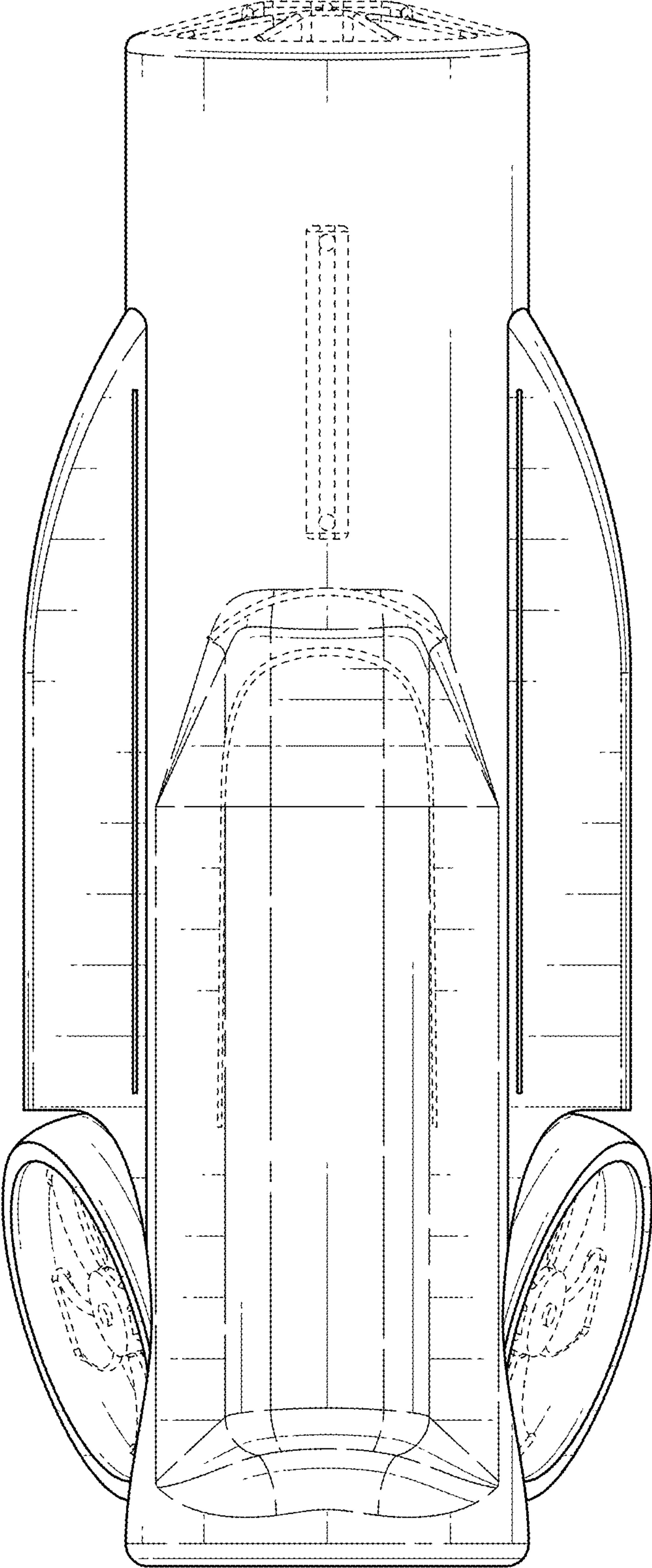


FIG. 2



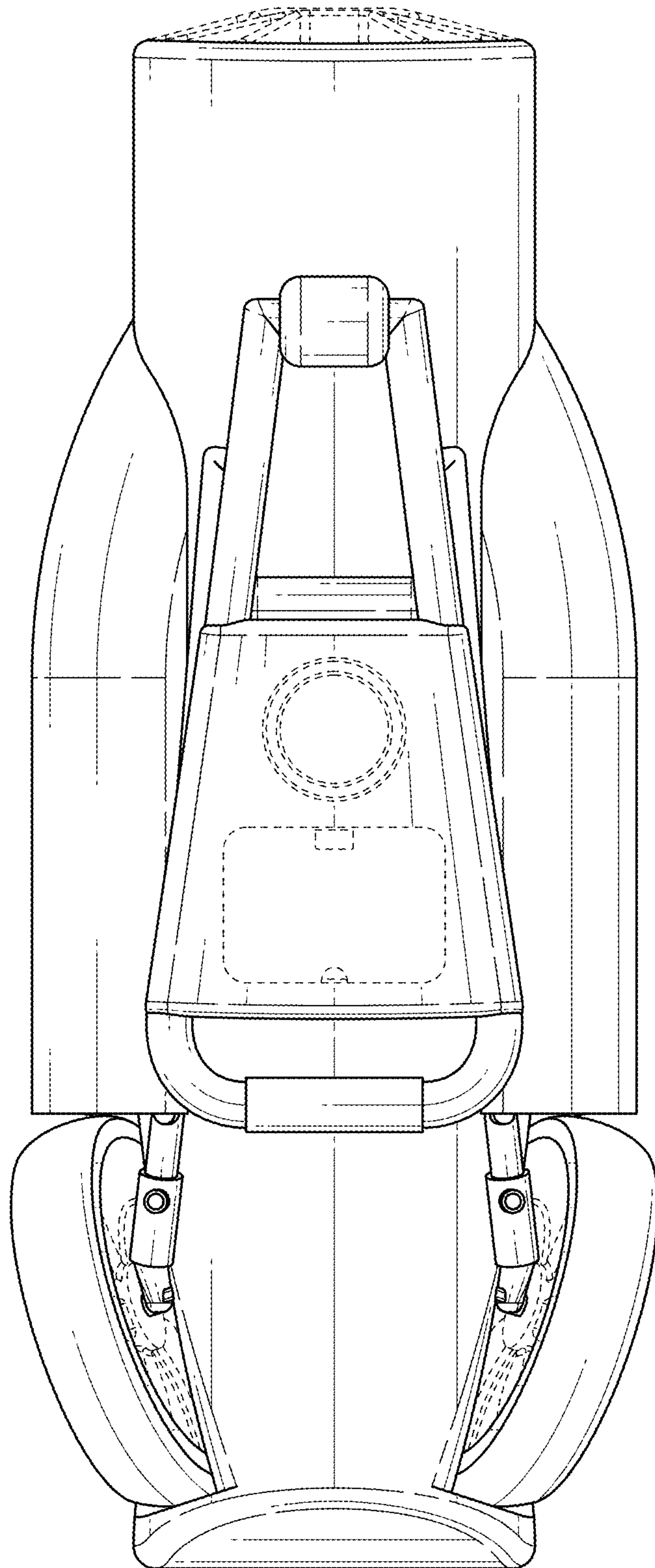


FIG. 3

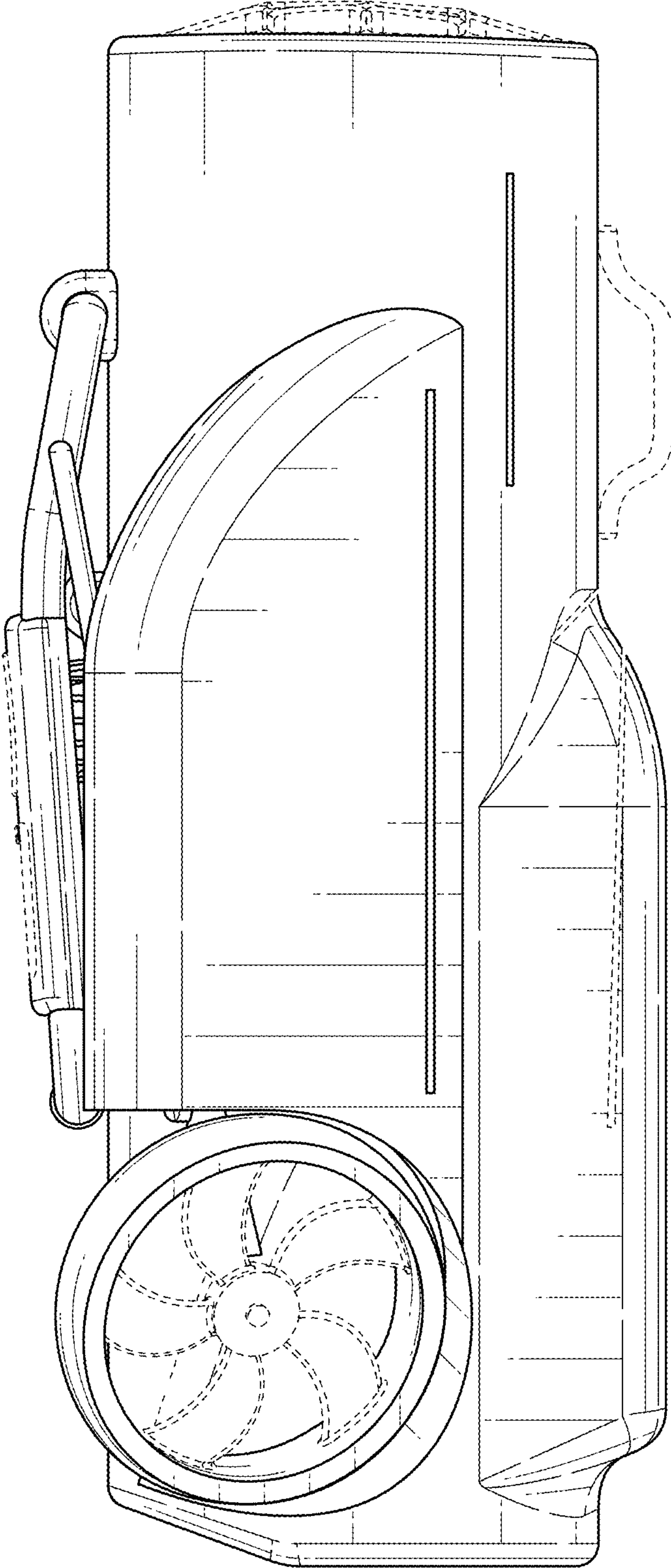


FIG. 4

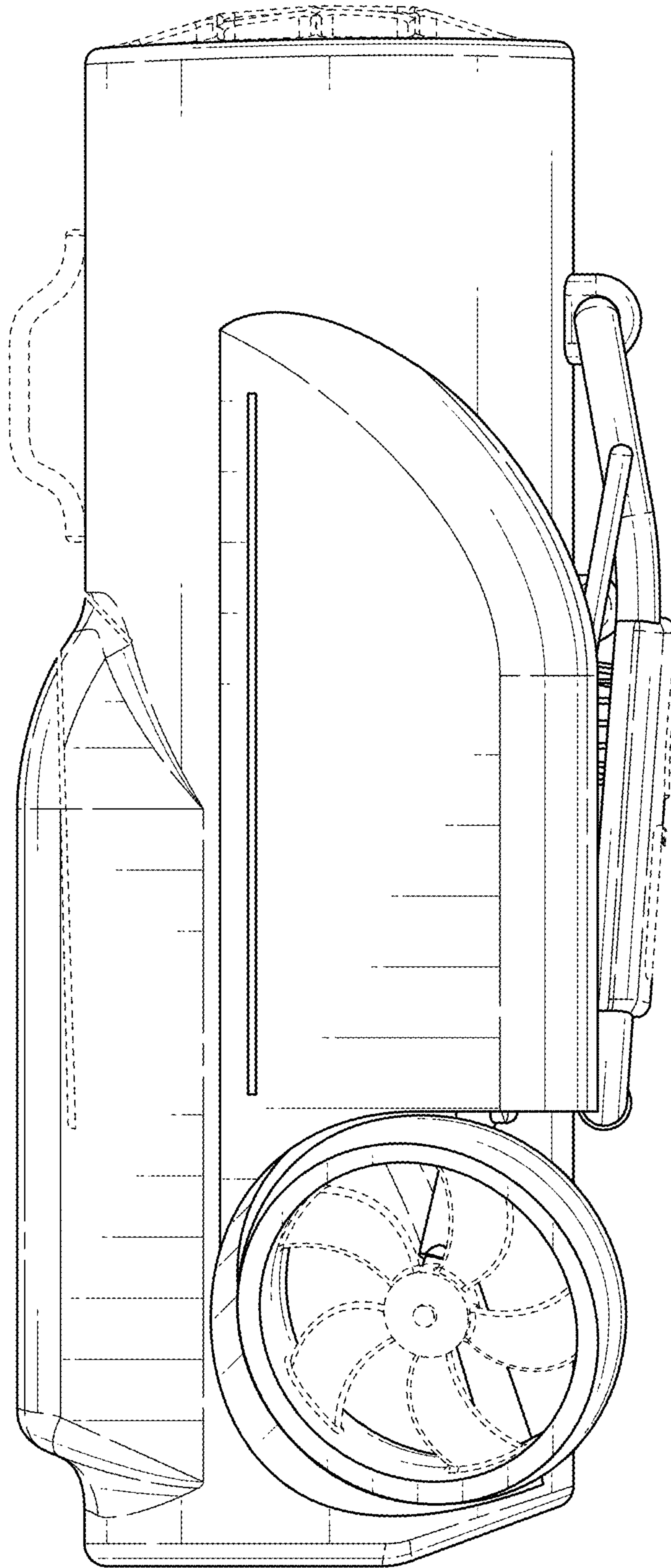


FIG. 5

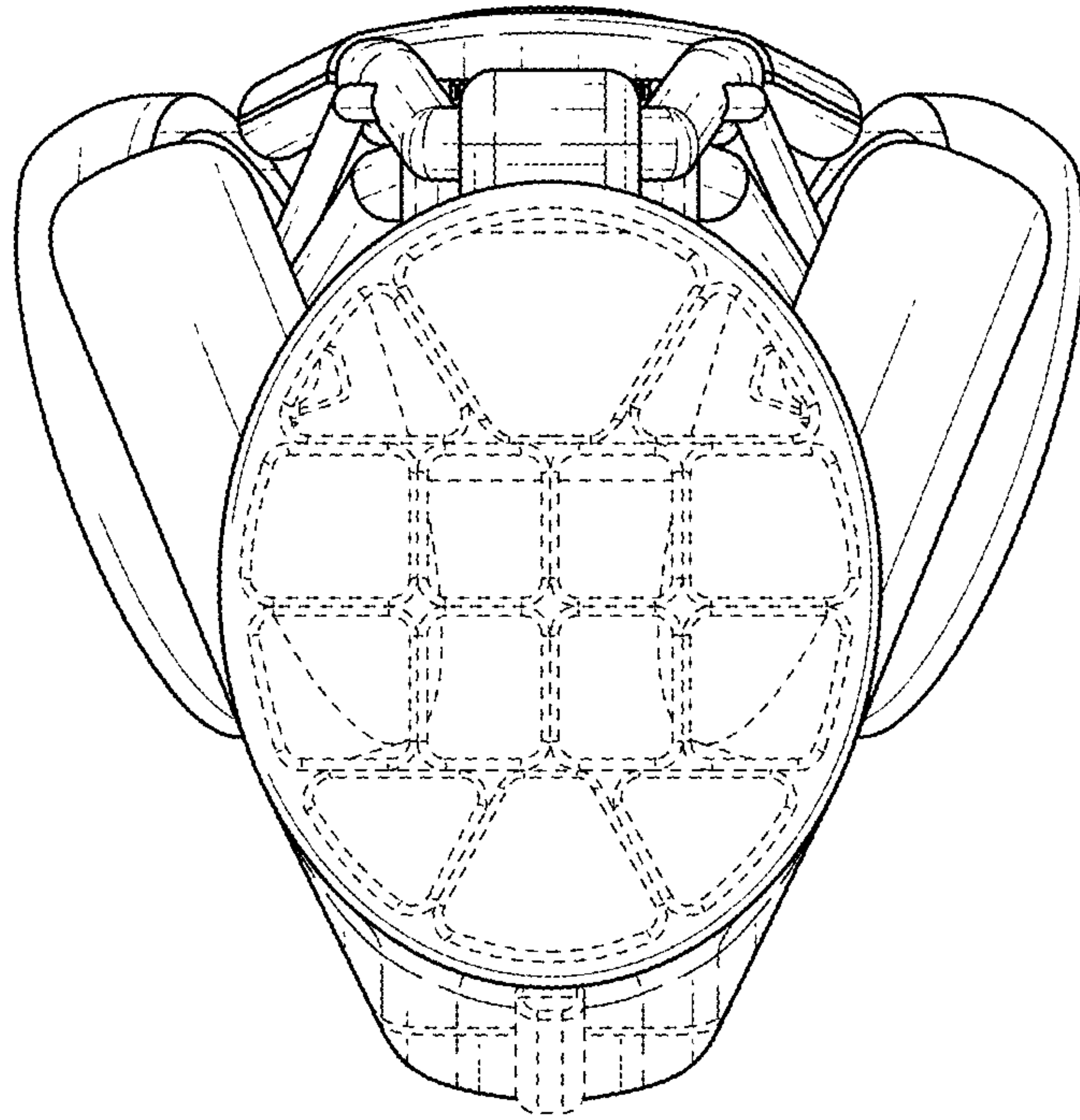


FIG. 6

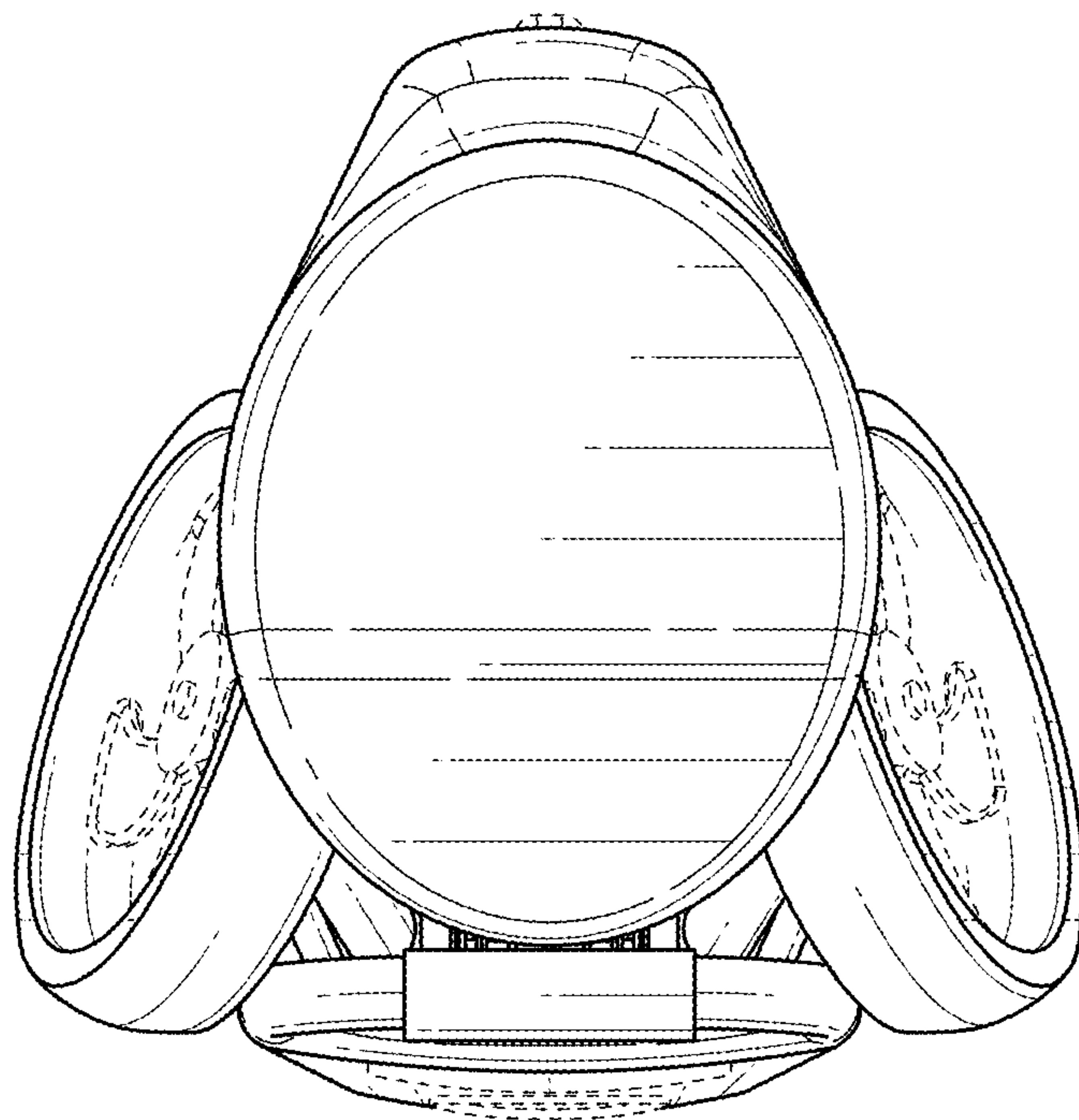


FIG. 7



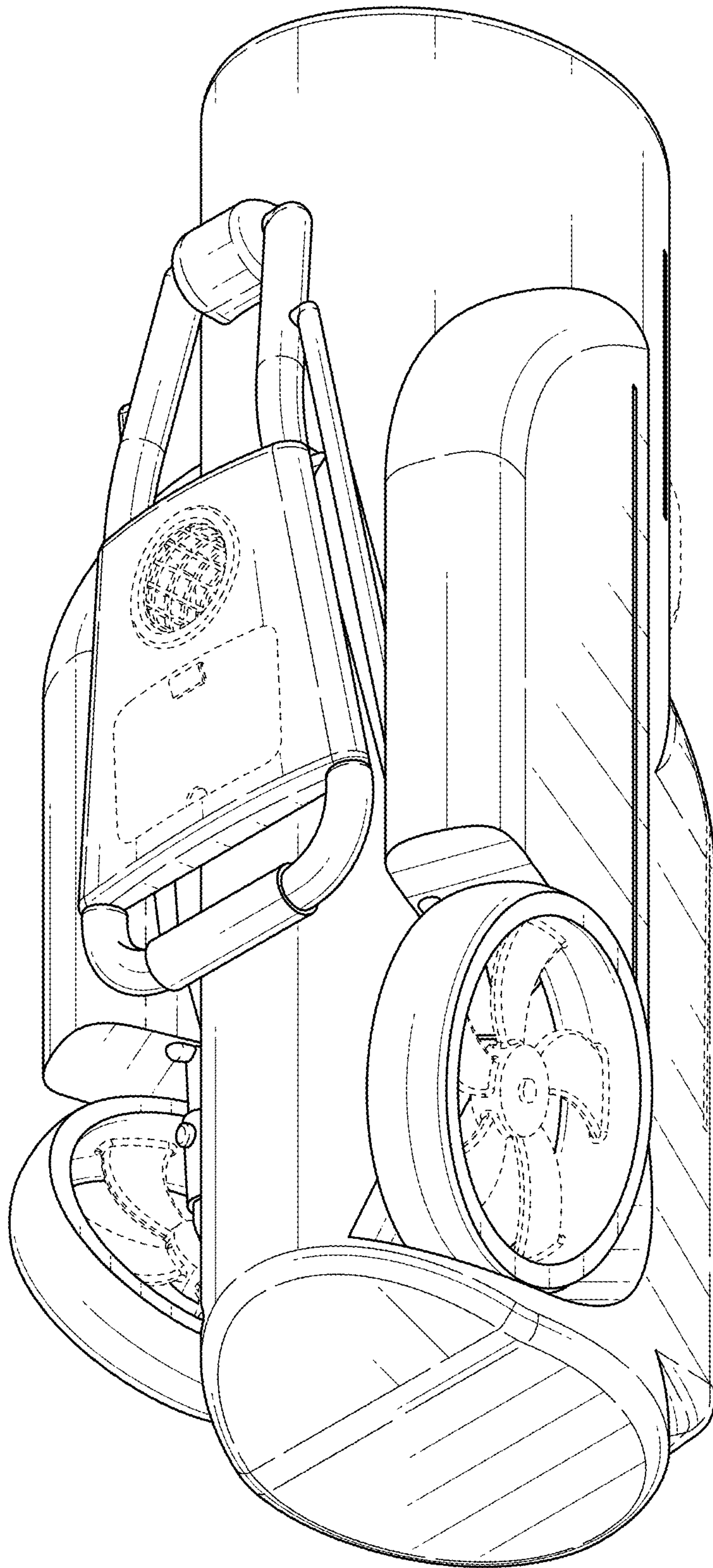


FIG. 8

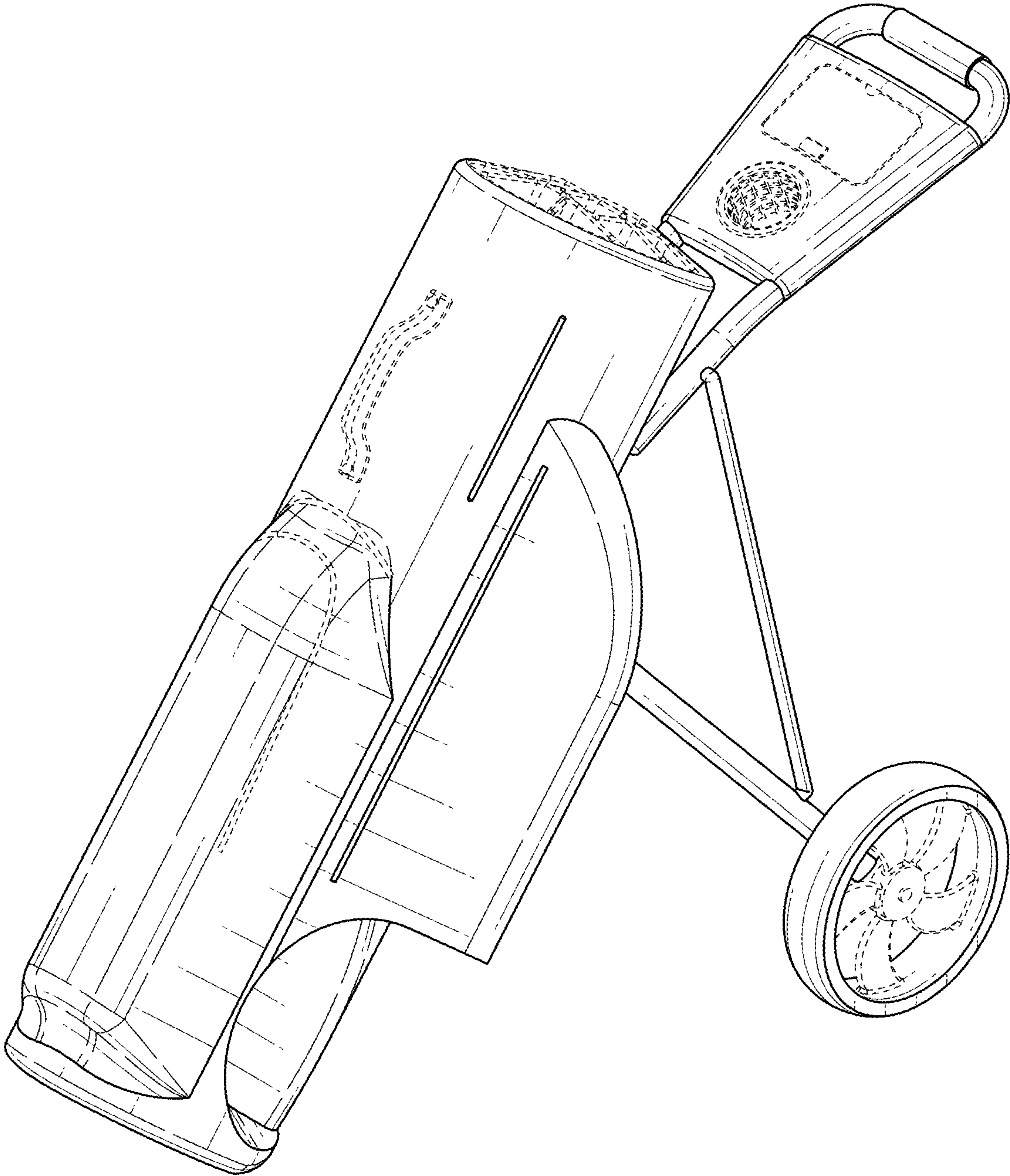


FIG. 9

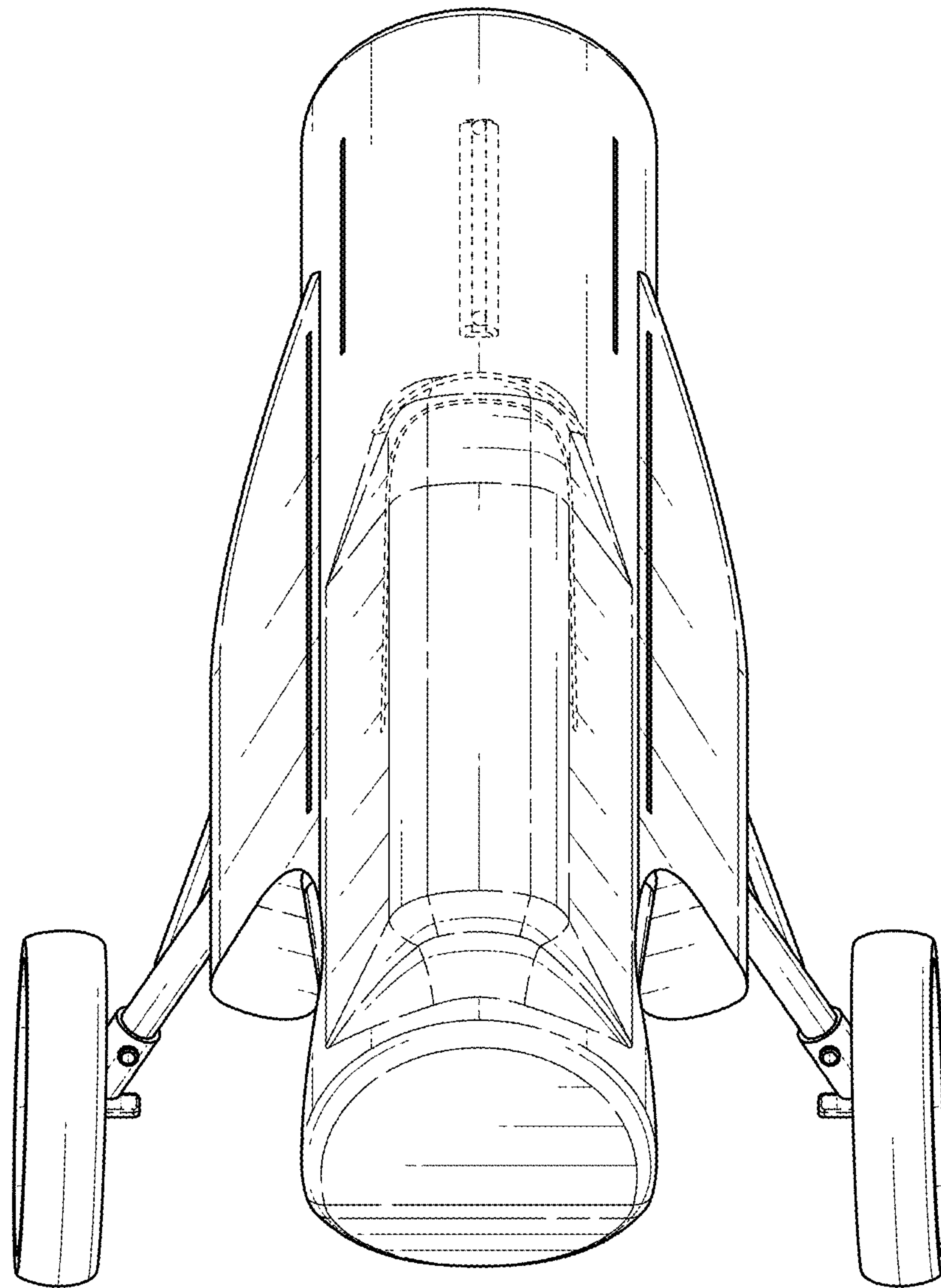


FIG. 10

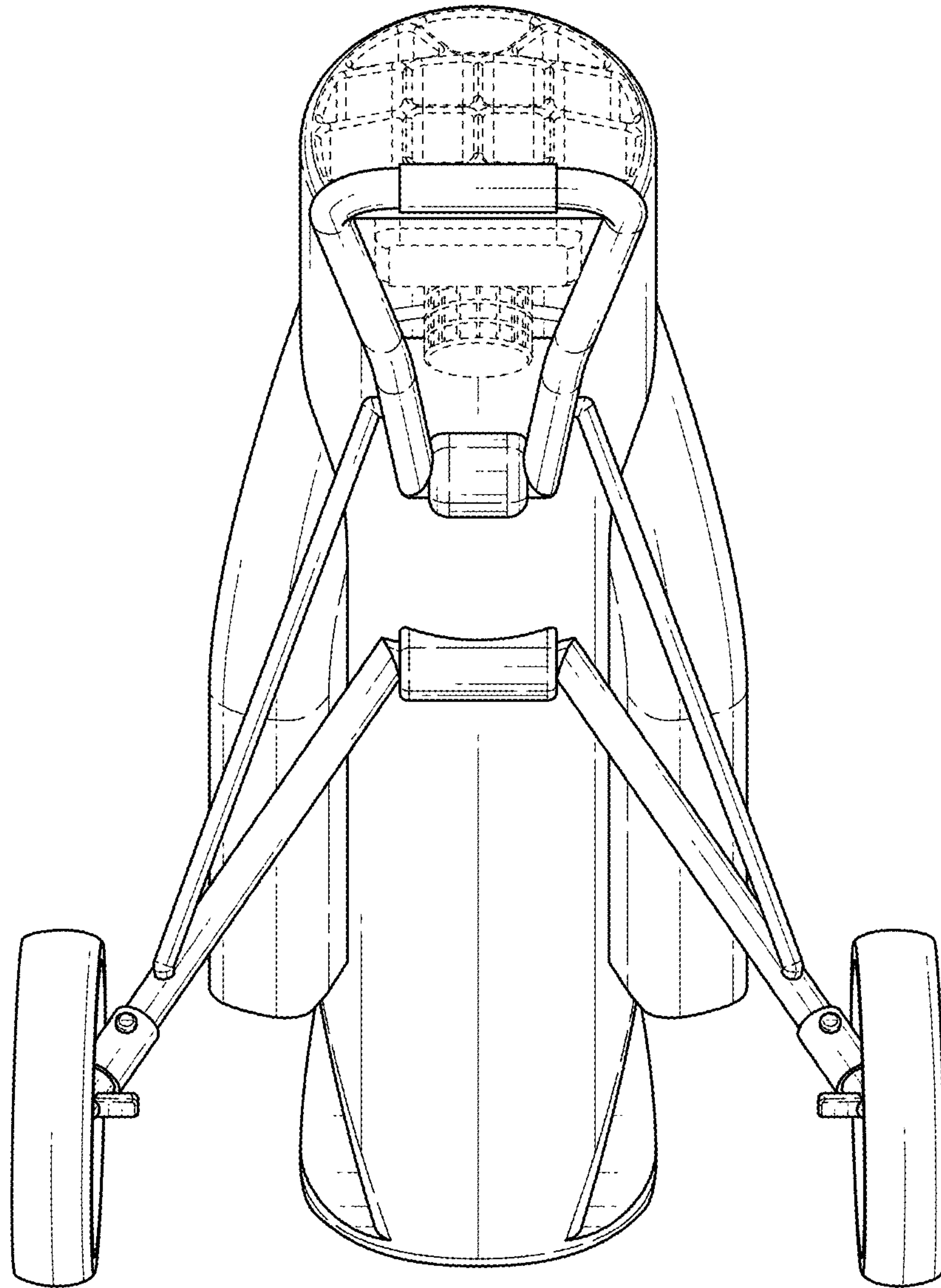


FIG. 11



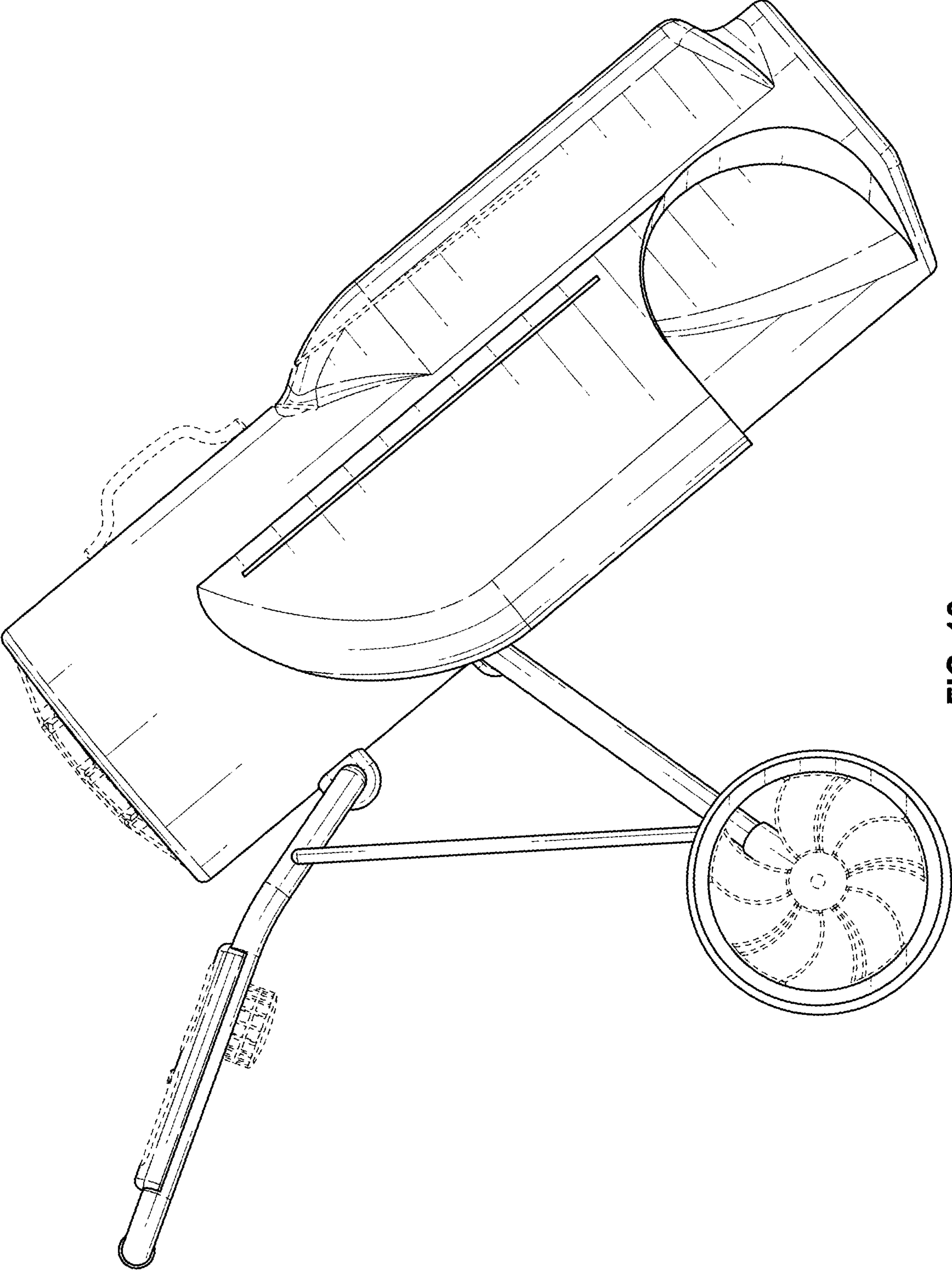


FIG. 12

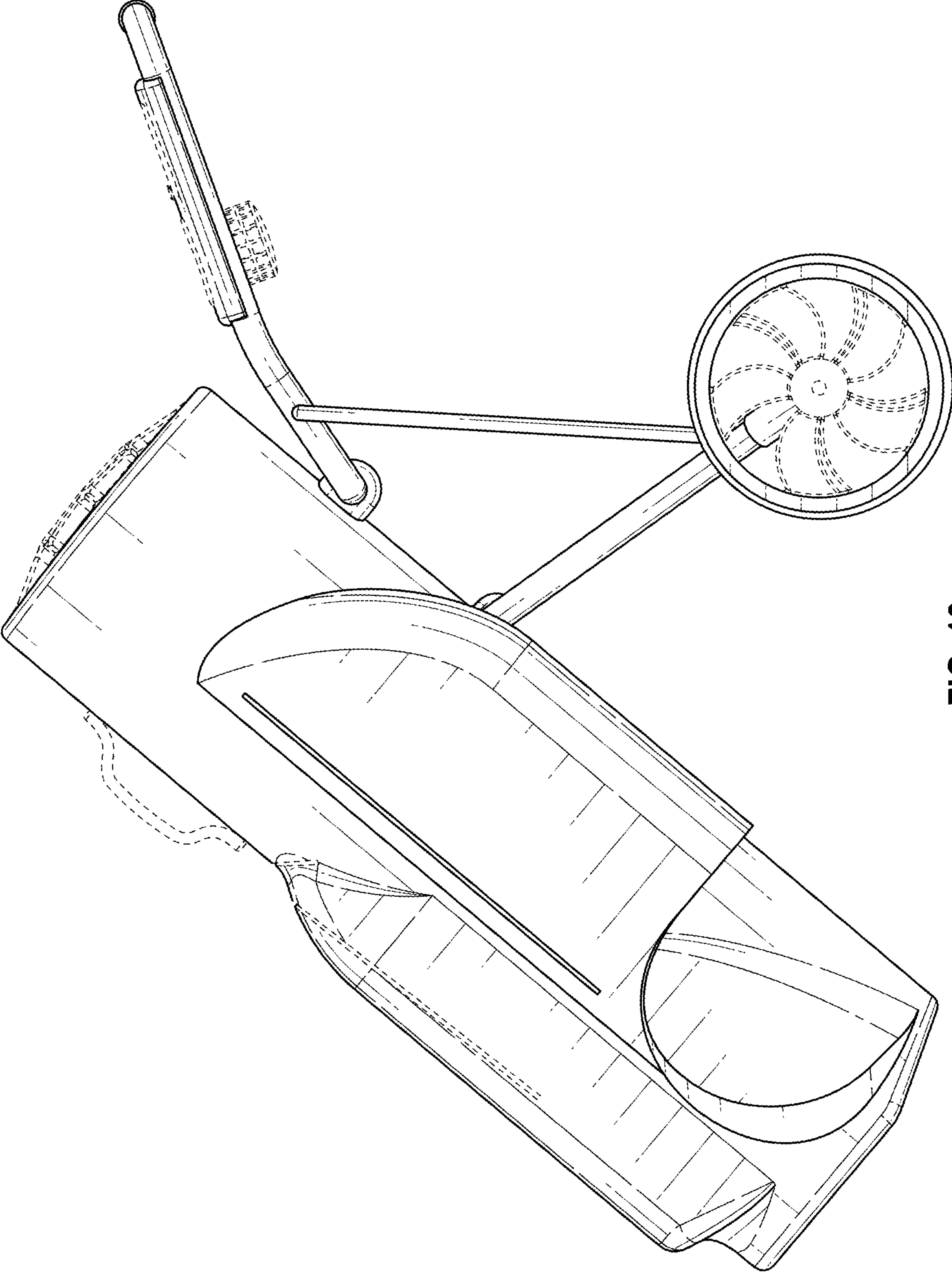


FIG. 13

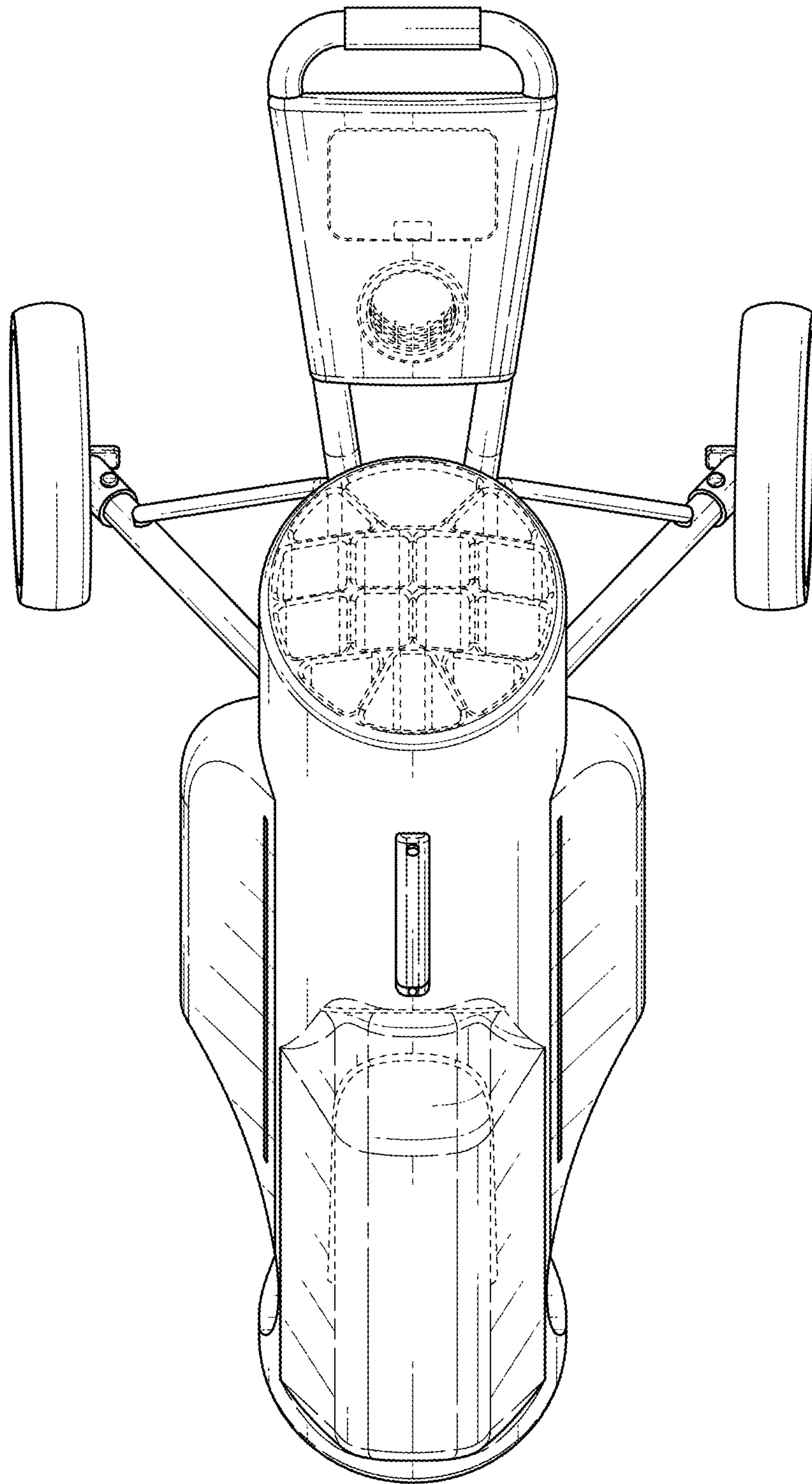


FIG. 14

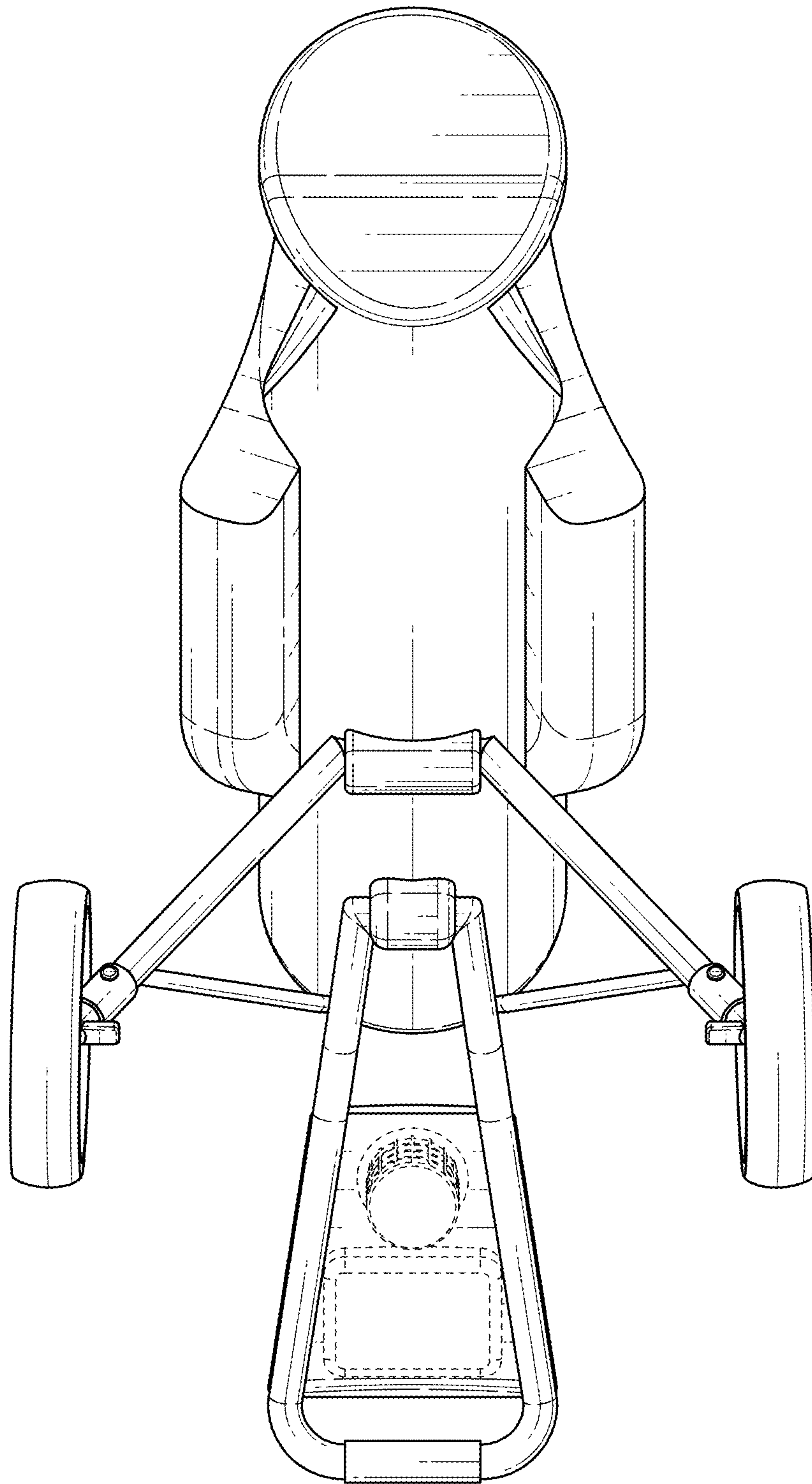


FIG. 15



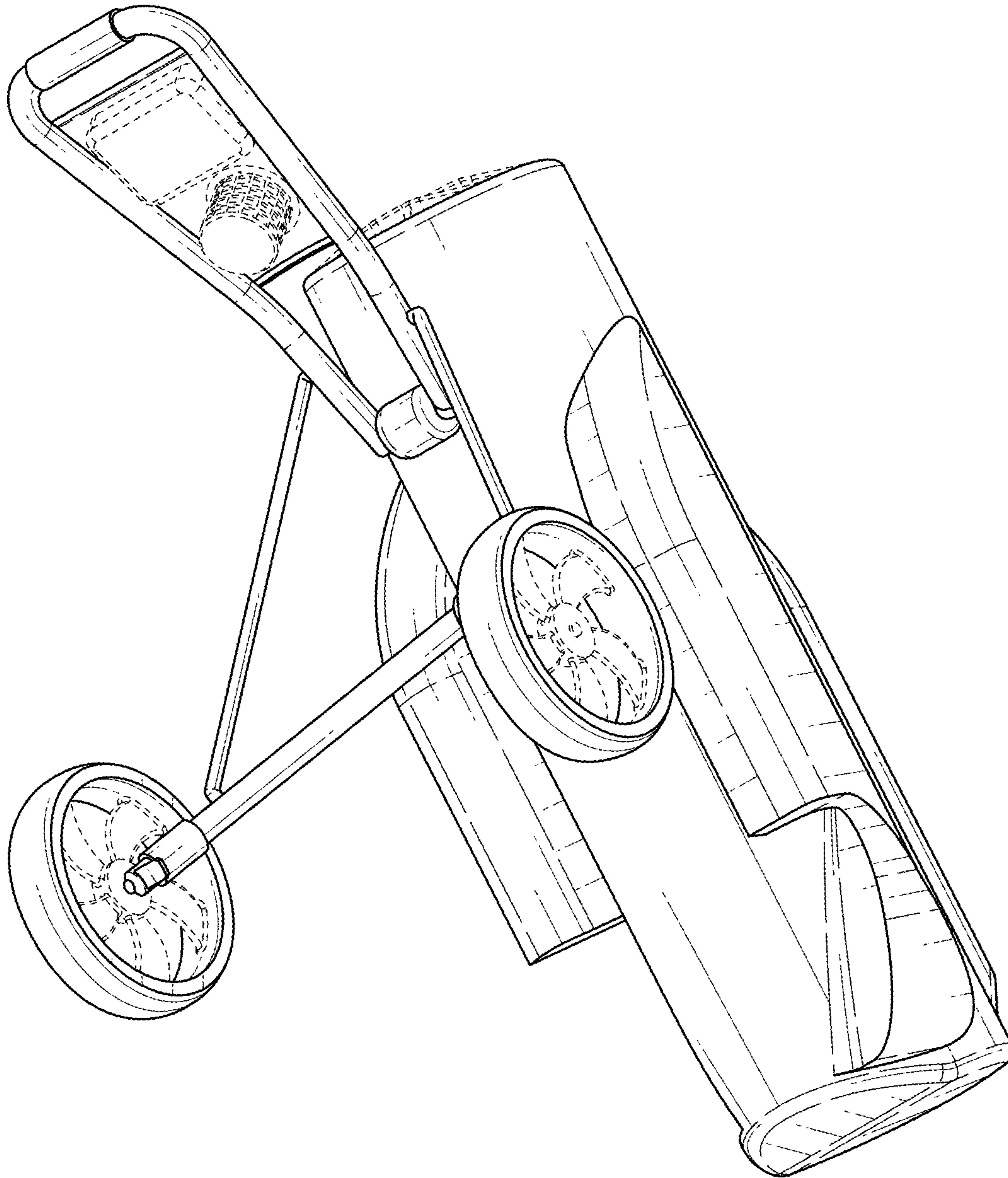


FIG. 16