



US00D984127S

(12) **United States Design Patent**
Yee

(10) **Patent No.:** **US D984,127 S**
(45) **Date of Patent:** **** *Apr. 25, 2023**

(54) **PERSONAL YOGA EQUIPMENT STORAGE SYSTEM**

(71) Applicant: **TRUCORE DISTRIBUTORS, INC.**,
Kings Park, NY (US)

(72) Inventor: **Evan Yee**, Kings Park, NY (US)

(*) Notice: This patent is subject to a terminal disclaimer.

(**) Term: **15 Years**

(21) Appl. No.: **29/719,194**

(22) Filed: **Jan. 1, 2020**

(51) **LOC (14) Cl.** **03-01**

(52) **U.S. Cl.**
USPC **D3/254; D3/233**

(58) **Field of Classification Search**
USPC D3/232–233, 245–246, 254, 259, 904;
D21/686

See application file for complete search history.

(56) **References Cited**

U.S. PATENT DOCUMENTS

2,432,001	A *	12/1947	Fisler	A45C 3/00
					150/108
2,505,208	A *	4/1950	Ruml, Jr.	A45C 3/00
					206/541
D158,897	S *	6/1950	Ruml	206/545
3,023,941	A *	3/1962	Foley	A45F 5/12
					224/604
D235,691	S *	7/1975	Barad	150/108
D418,679	S *	1/2000	Chiapperini, Jr.	D3/246
6,206,567	B1 *	3/2001	Cyr	A45F 3/02
					383/29
D530,512	S *	10/2006	Palaszek	D3/904
7,806,309	B2 *	10/2010	Korchmar	A45F 3/14
					224/183
D660,068	S *	5/2012	Wang	D6/582

D721,483	S *	1/2015	Baram	D3/233
D843,717	S *	3/2019	Morelli	D3/232
D887,505	S *	6/2020	Tumpson	D21/686
10,688,371	B1 *	6/2020	Searcy	A63B 71/0036

(Continued)

OTHER PUBLICATIONS

“Poise is comfortable yoga mat with wooden carrier and detachable strap” article by Monika Thakur, posted Jun. 2, 2014, homecrux.com [online], [site visited Oct. 27, 2022], Available at URL: <https://www.homecrux.com/poise-is-comfortable-yoga-mat-with-wooden-carrier-and-detachable-strap/15187/> (Year: 2014).*

(Continued)

Primary Examiner — Michelle E. Wilson

Assistant Examiner — Caitlin A Laverty

(57) **CLAIM**

The ornamental design for a personal yoga equipment storage system, as shown.

DESCRIPTION

FIG. 1 is a top front perspective view illustrating a personal yoga equipment storage system.

FIG. 2 is a bottom rear perspective view illustrating a personal yoga equipment storage system.

FIG. 3 is a left side view illustrating a personal yoga equipment storage system.

FIG. 4 is a front view illustrating a personal yoga equipment storage system.

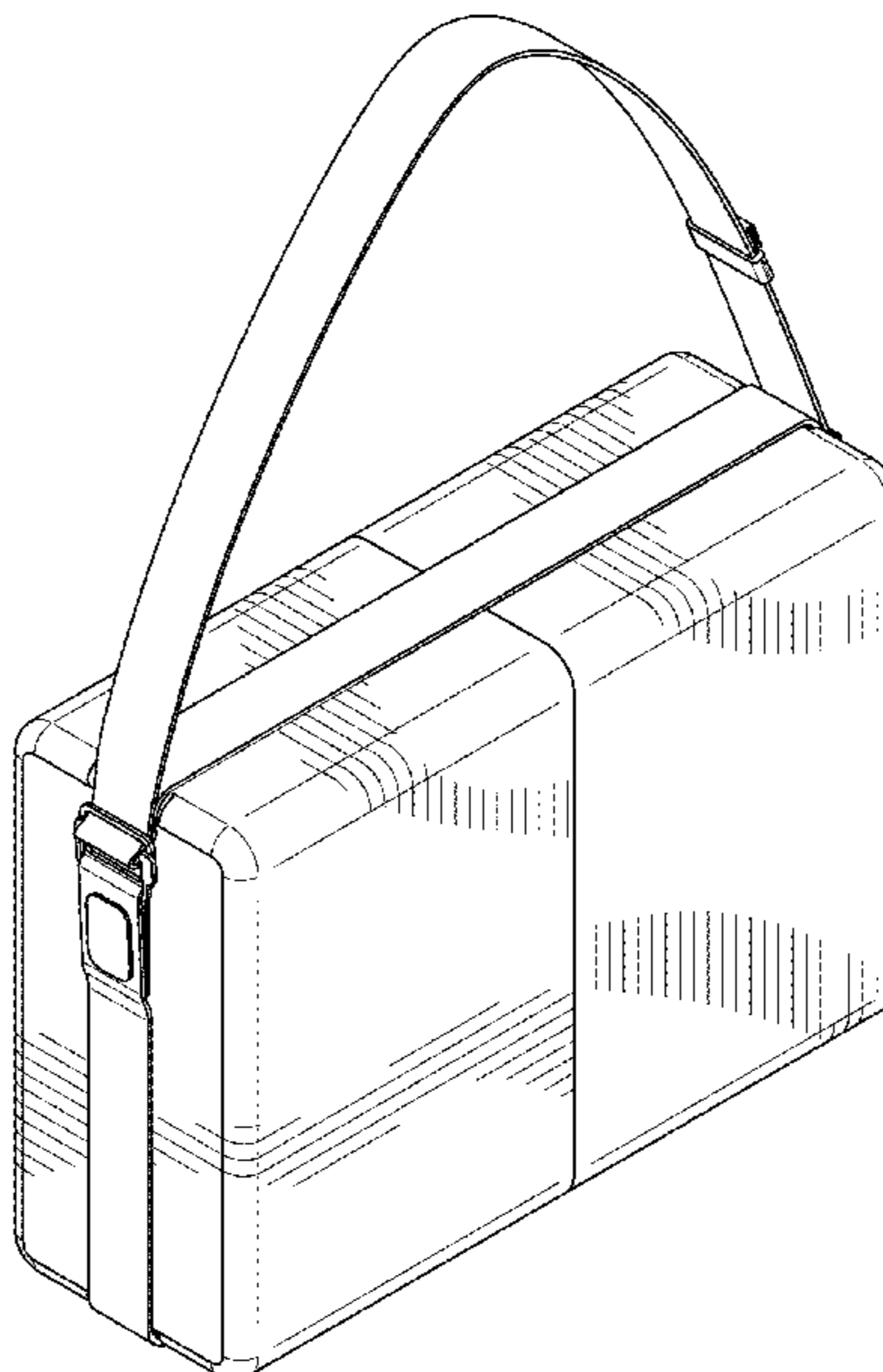
FIG. 5 is a right side view illustrating a personal yoga equipment storage system.

FIG. 6 is a back view illustrating a personal yoga equipment storage system.

FIG. 7 is a top view illustrating a personal yoga equipment storage system; and,

FIG. 8 is a bottom view illustrating a personal yoga equipment storage system.

1 Claim, 5 Drawing Sheets



(56)

References Cited

U.S. PATENT DOCUMENTS

2008/0277434 A1* 11/2008 Sacks A45C 13/30
224/579
2012/0233772 A1* 9/2012 Wang A63B 21/4037
5/417
2014/0175140 A1* 6/2014 Folise A45F 3/02
224/583
2015/0041271 A1* 2/2015 Reese A45C 7/0045
190/103
2018/0110310 A1* 4/2018 Chang A45C 13/185
2020/0179746 A1* 6/2020 Ruse A63B 21/4037
2020/0282284 A1* 9/2020 Searcy A45B 27/00
2021/0086021 A1* 3/2021 Constantz A63B 21/4037
2022/0001231 A1* 1/2022 Fiducia A63B 21/4037
2022/0212084 A1* 7/2022 Yee A63B 21/4037

OTHER PUBLICATIONS

6' Carry Strap with Handle, first available Feb. 3, 2016, amazon.com
[online], [site visited Oct. 27, 2022], Available at URL: <https://www.amazon.com/Strap-Handle-Standard-Handle-4STR33300/dp/B00MWQ16OE> (Year: 2016).*

* cited by examiner

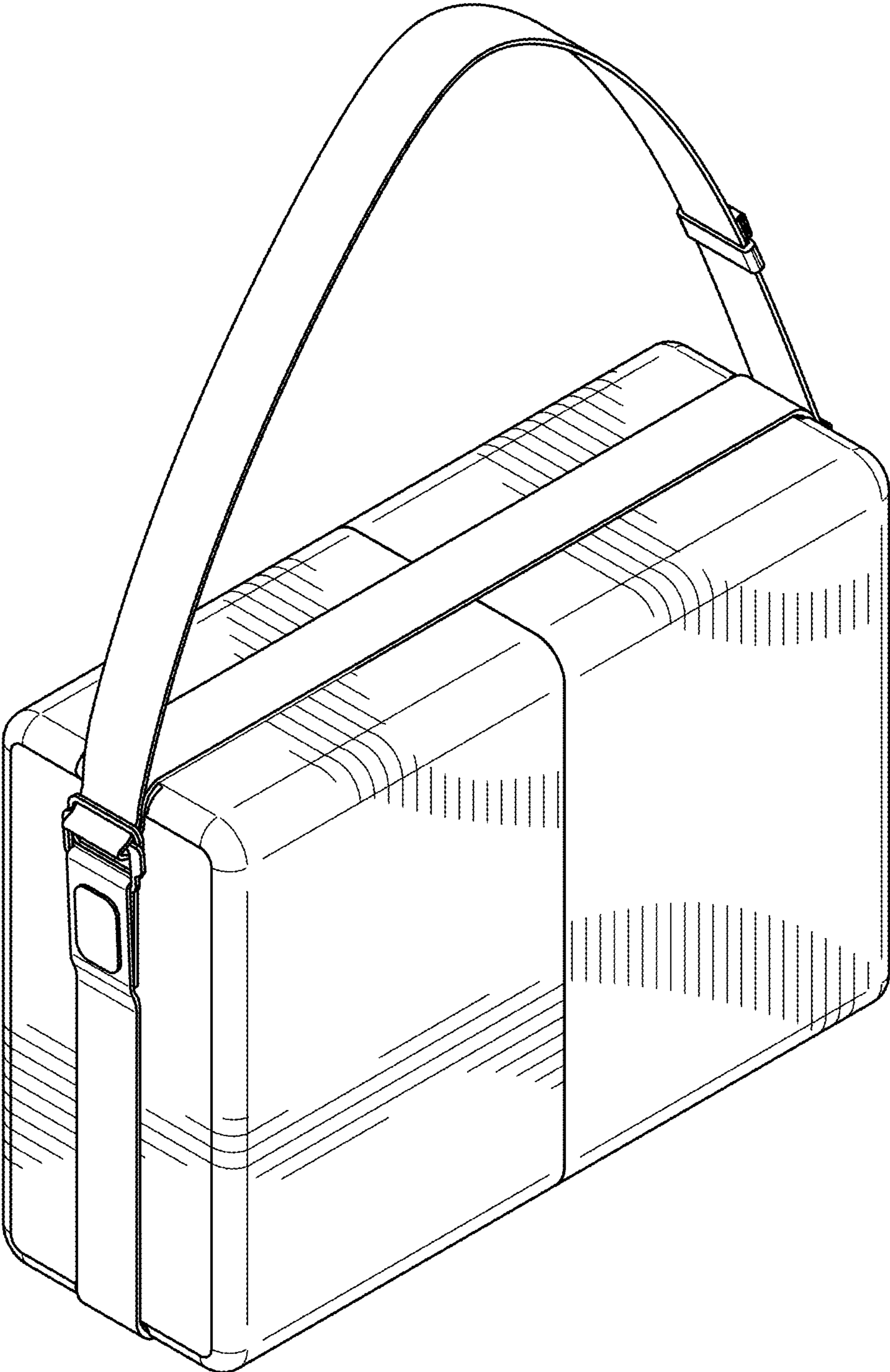


FIG. 1

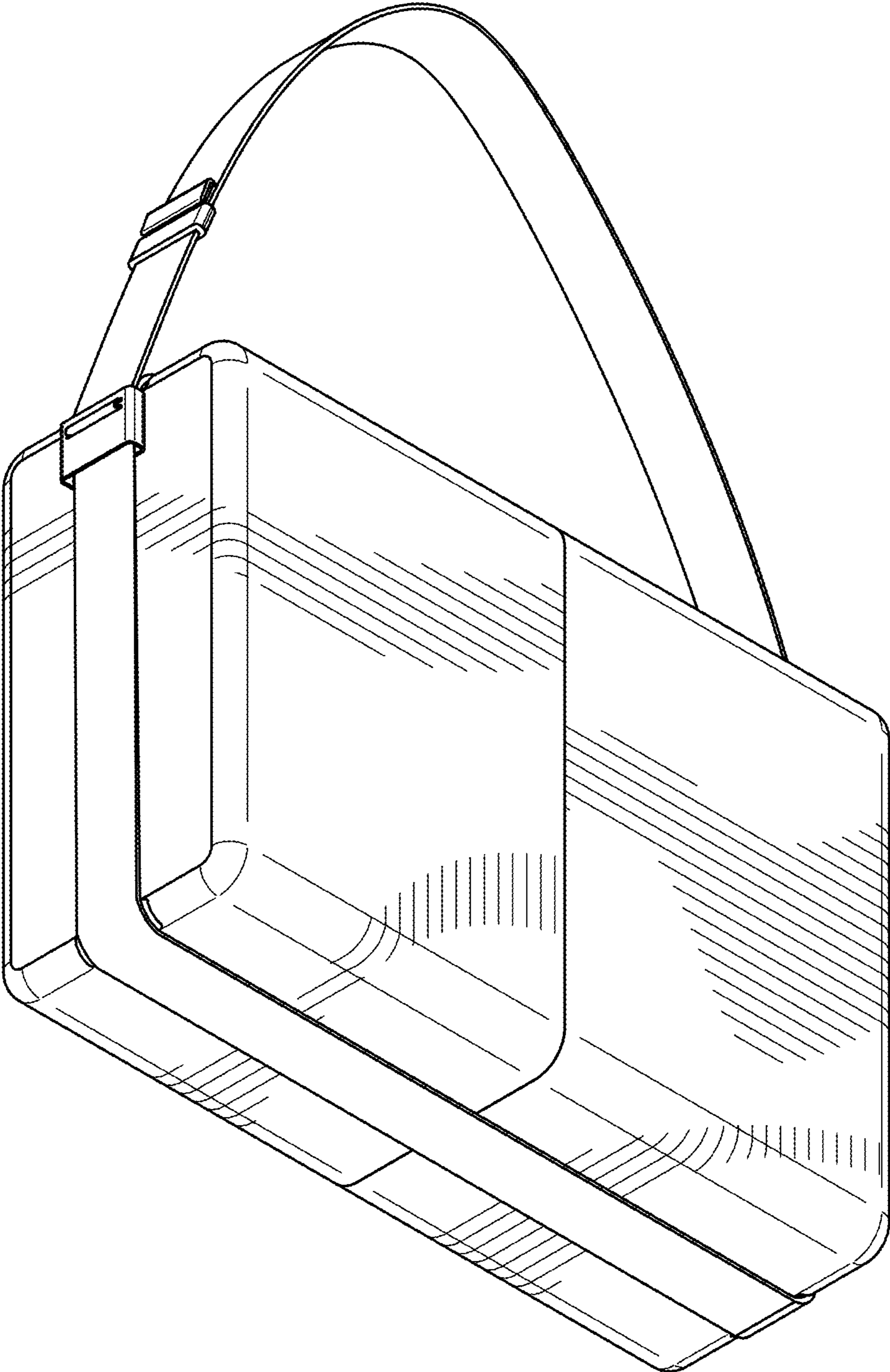


FIG. 2

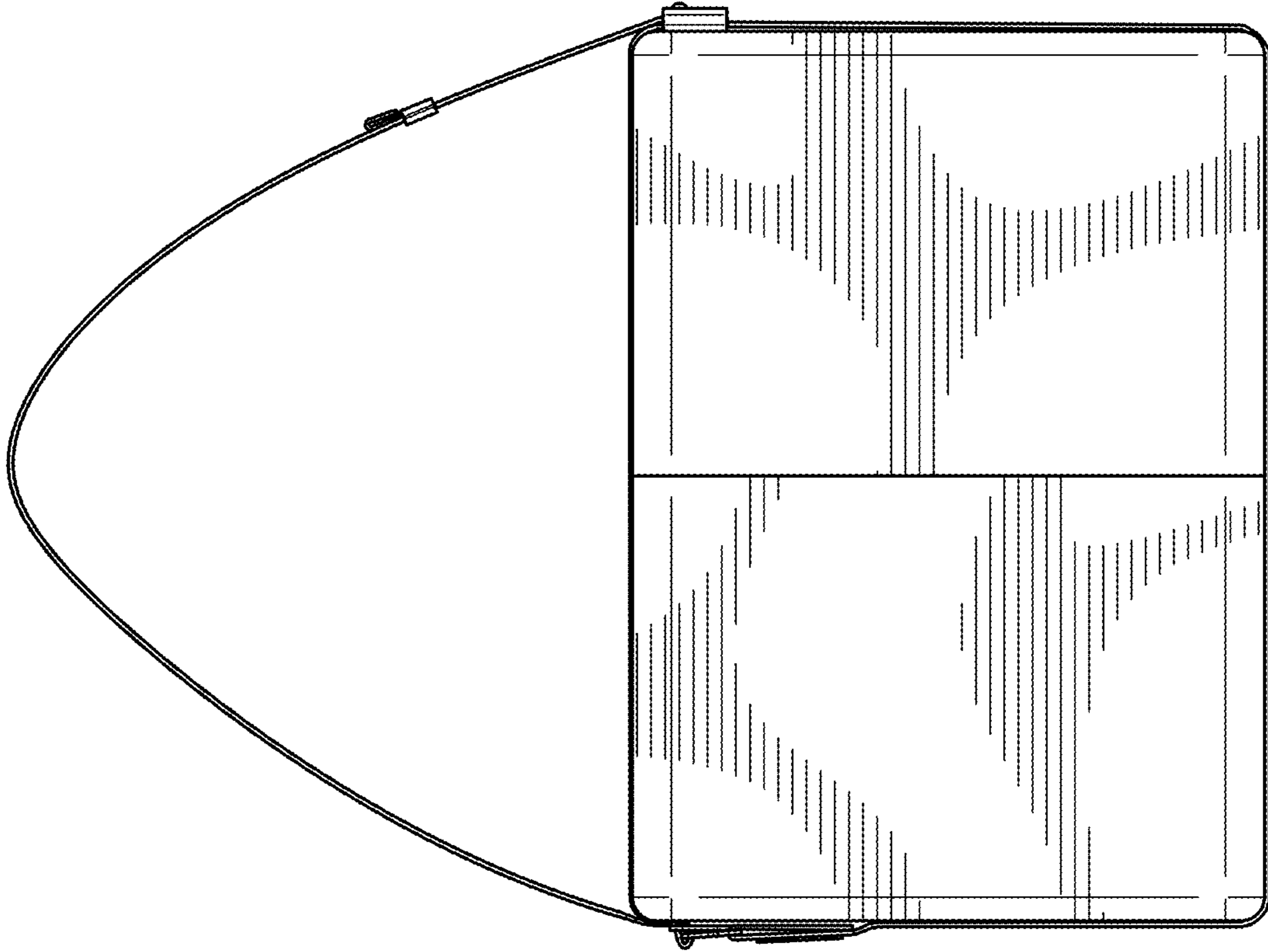


FIG. 4

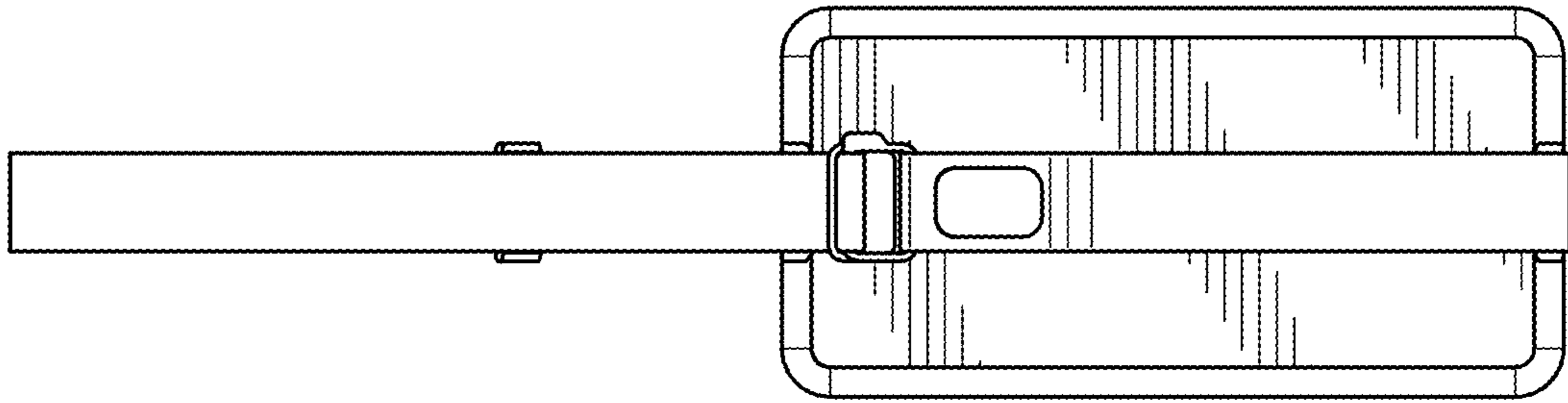


FIG. 3

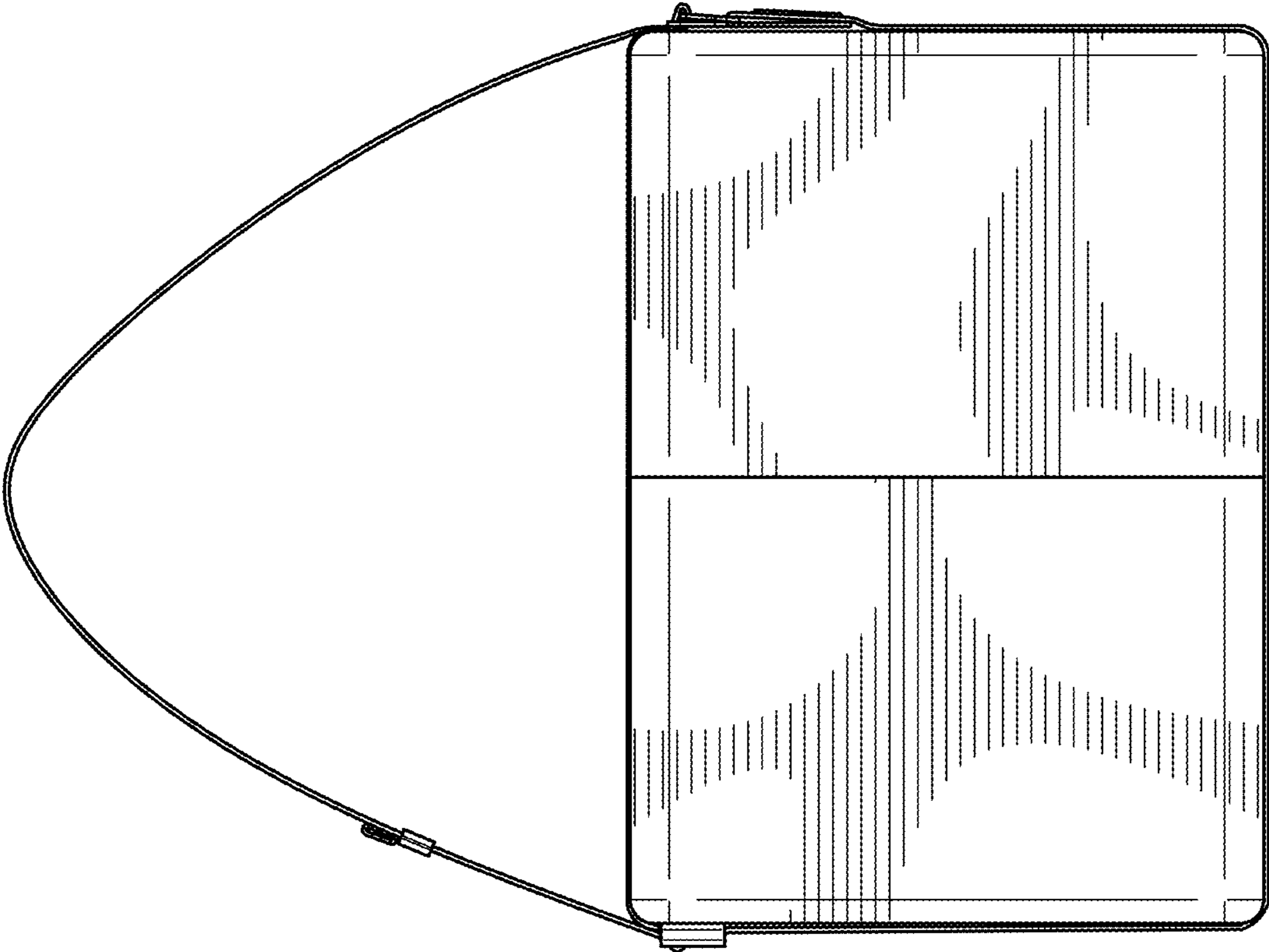


FIG. 6

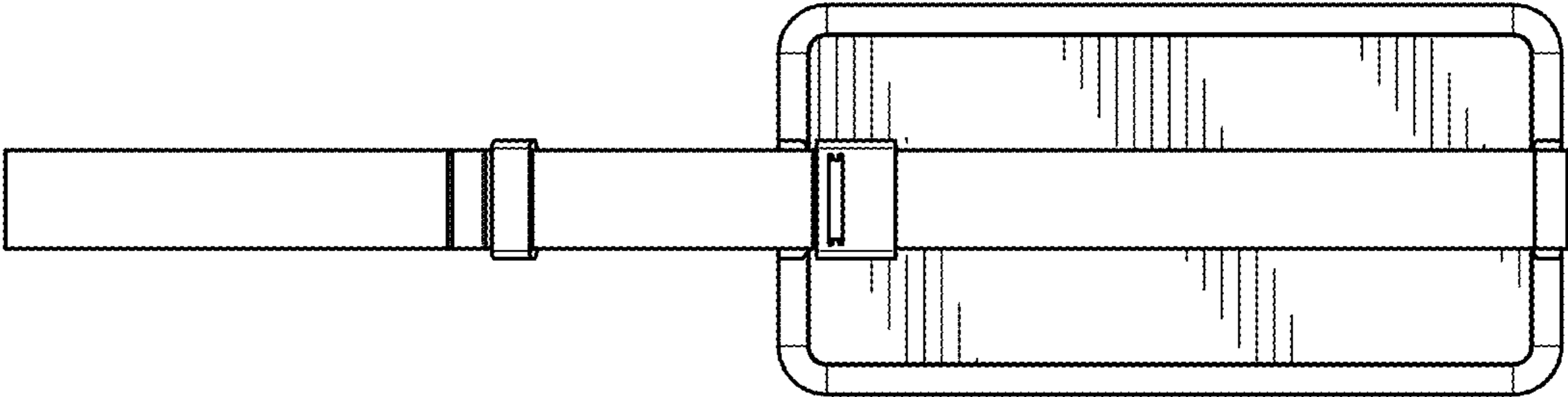


FIG. 5

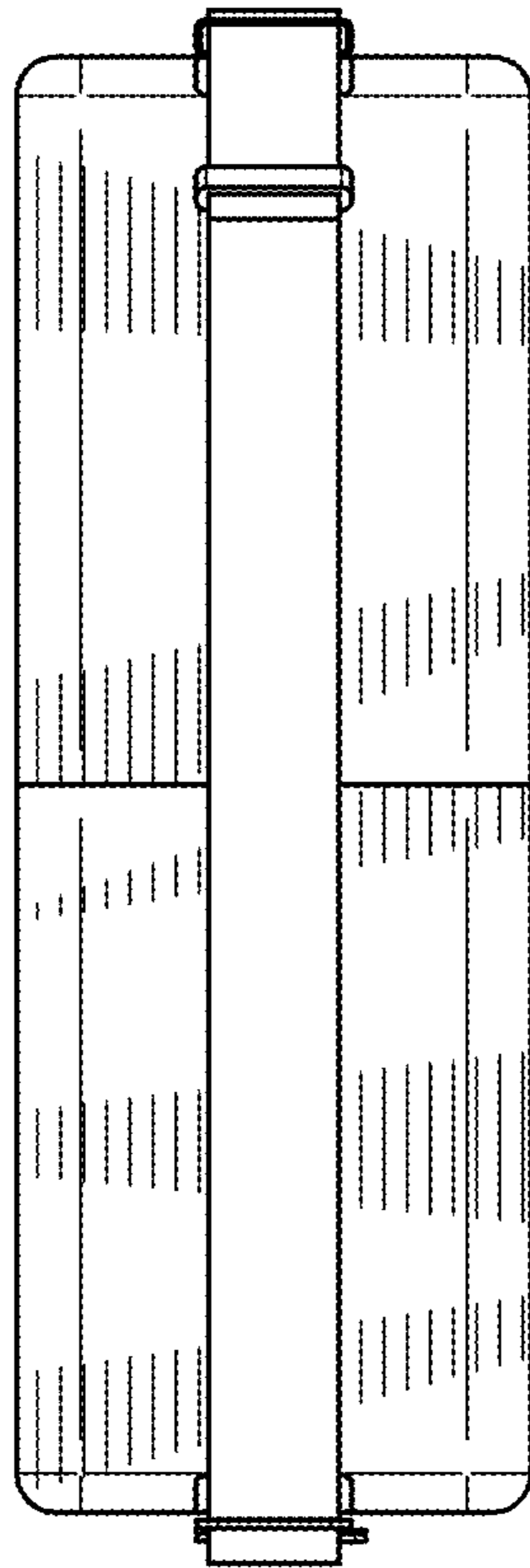


FIG. 7

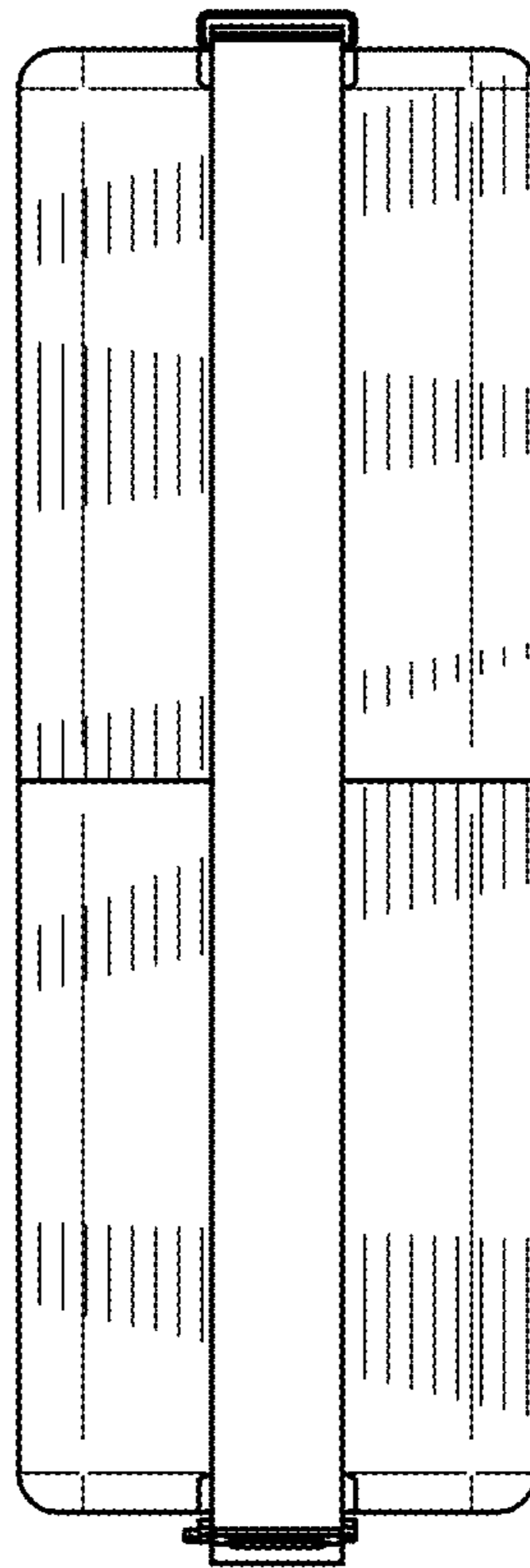


FIG. 8