



US00D984123S

(12) **United States Design Patent**  
**Shapiro**

(10) **Patent No.:** **US D984,123 S**

(45) **Date of Patent:** **\*\* Apr. 25, 2023**

(54) **DIAPER BAG**

(71) Applicant: **KIBOU LLC**, Bedford, NY (US)

(72) Inventor: **Nell Shapiro**, Bedford, NY (US)

(73) Assignee: **KIBOU LLC**, Bedford, NY (US)

(\*\*) Term: **15 Years**

(21) Appl. No.: **29/750,007**

(22) Filed: **Sep. 10, 2020**

(51) **LOC (14) Cl.** ..... **03-01**

(52) **U.S. Cl.**  
USPC ..... **D3/226**

(58) **Field of Classification Search**  
USPC ..... D3/215, 226–233, 243, 247, 249, 273,  
D3/276, 289–290, 293, 299, 301, 303,  
D3/902  
CPC . A45C 1/04; A45C 13/021; A45F 3/00; A45F  
3/005; A45F 3/14; A45F 5/00; A45F  
5/02; A45F 5/021; A45F 4/02; A61F  
5/028  
See application file for complete search history.

(56) **References Cited**

**U.S. PATENT DOCUMENTS**

D347,940 S \* 6/1994 Linscott ..... D3/226  
D371,905 S \* 7/1996 Kopel ..... D3/226  
D374,983 S \* 10/1996 Brucki ..... D3/226  
(Continued)

**OTHER PUBLICATIONS**

Kibou—The Deliberately Minimal Diaper Bag, kickstarter project launch Sep. 16, 2019, kickstarter.com [online], [site visited Jun. 13, 2021], Available at URL: <https://www.kickstarter.com/projects/kibou/kibou> (Year: 2019).\*

(Continued)

*Primary Examiner* — Michelle E. Wilson

*Assistant Examiner* — Caitlin A Lavery

(74) *Attorney, Agent, or Firm* — Hunton Andrews Kurth LLP

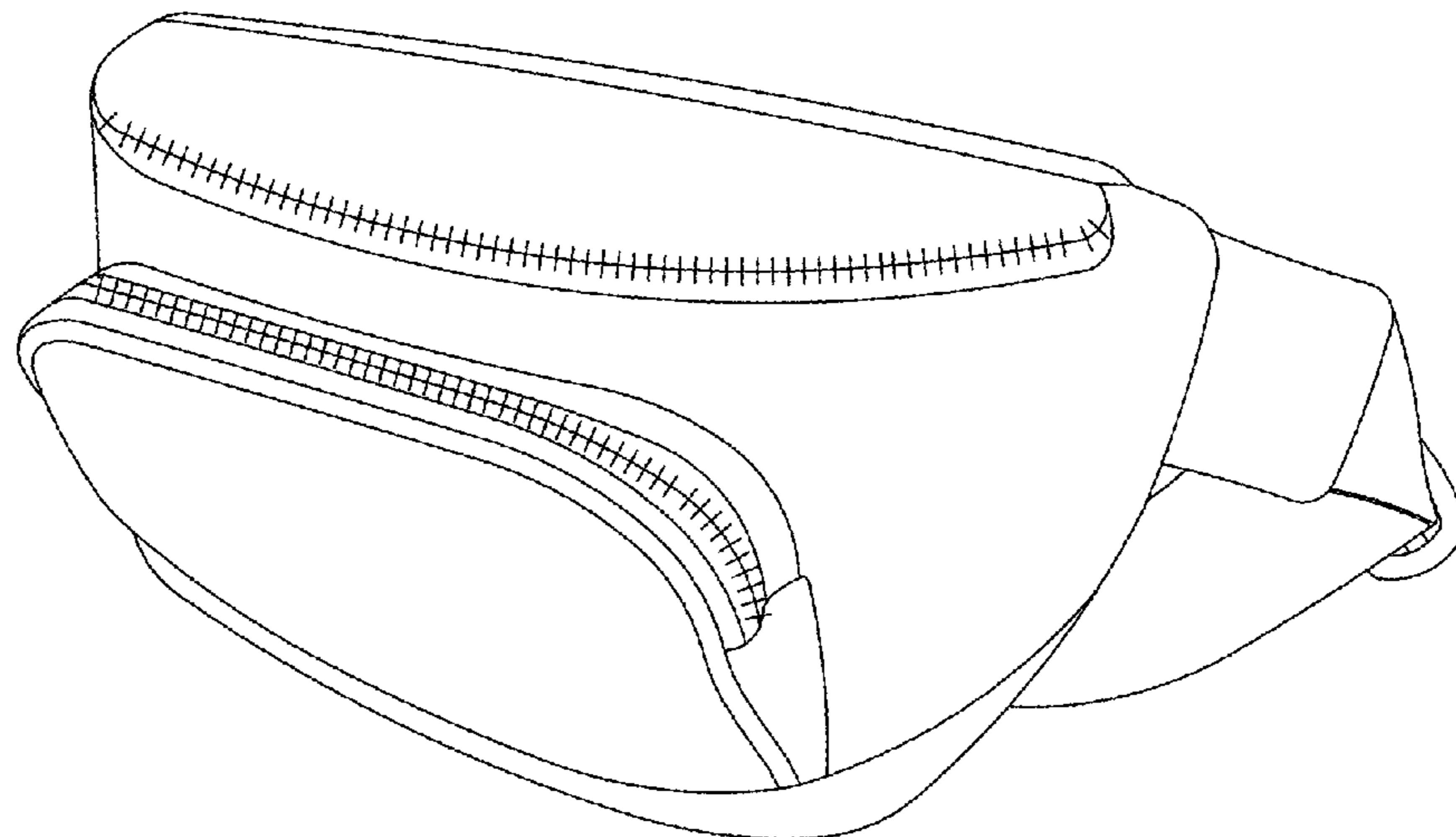
(57) **CLAIM**

The ornamental design for a diaper bag, as shown and described.

**DESCRIPTION**

FIG. 1 is a perspective view of a diaper bag with the front compartment and front top compartment closed;  
FIG. 2 is another perspective view thereof;  
FIG. 3 is another perspective view thereof with the front top compartment open;  
FIG. 4 is another perspective view thereof;  
FIG. 5 is a back elevation view thereof with the rear top compartment and rear compartment closed;  
FIG. 6 is another back elevation view thereof with the strap unbuckled;  
FIG. 7 is another back elevation view thereof with the rear compartment open;  
FIG. 8 is another back elevation view thereof with the pad partially detached;  
FIG. 9 is another back elevation view thereof with the pad partially unfolded;  
FIG. 10 is another back elevation view thereof with the pad further unfolded;  
FIG. 11 is a front elevation view thereof with the strap buckled;  
FIG. 12 is a side elevation view thereof;  
FIG. 13 is another side elevation view thereof;  
FIG. 14 is a top elevation view thereof with the front compartment, front top compartment, rear compartment and rear top compartment closed;  
FIG. 15 is a bottom elevation view thereof;  
FIG. 16 is another front elevation view thereof with the front compartment open; and,  
FIG. 17 is another back elevation view thereof with the rear compartment open and the pad completely detached and removed.

**1 Claim, 17 Drawing Sheets**



(56)

**References Cited**

U.S. PATENT DOCUMENTS

D388,954 S *	1/1998	Nakayama .....	D3/213
D408,628 S *	4/1999	Fusco .....	D3/226
D411,038 S *	6/1999	Fair .....	D3/226
D411,659 S *	6/1999	Karton .....	D3/226
D419,291 S *	1/2000	Pugh .....	D3/226
D458,021 S *	6/2002	Willows .....	D3/226
D787,177 S *	5/2017	O'Connor .....	D3/226
D793,720 S *	8/2017	Tien .....	D3/226
D872,460 S *	1/2020	Arikawa .....	D3/226
D928,506 S *	8/2021	Sandoval .....	D3/226
D968,079 S *	11/2022	Li .....	D3/226
D975,437 S *	1/2023	Liu .....	D3/226

OTHER PUBLICATIONS

Suessie Fanny Pack Diaper Bag, available no later than Apr. 26, 2021 based on customer photo reviews, amazon.com [online], [site visited Jun. 13, 2022], Available at URL: <https://www.amazon.com/Suessie-Fanny-Pack-Diaper-Bag/dp/B08QYKNTQ2?th=1> (Year: 2021).\*

“Carry your kid’s diapers, but make it fashion with this fanny pack”, article by Elizabeth Segran for Fast Company, posted Feb. 15, 2019, fastcompany.com [online], [site visited Jun. 13, 2022], Available at URL: <https://www.fastcompany.com/90308199/carry-your-kids-diapers-but-make-it-fashion-with-this-fanny-pack> (Year: 2019).\*

\* cited by examiner

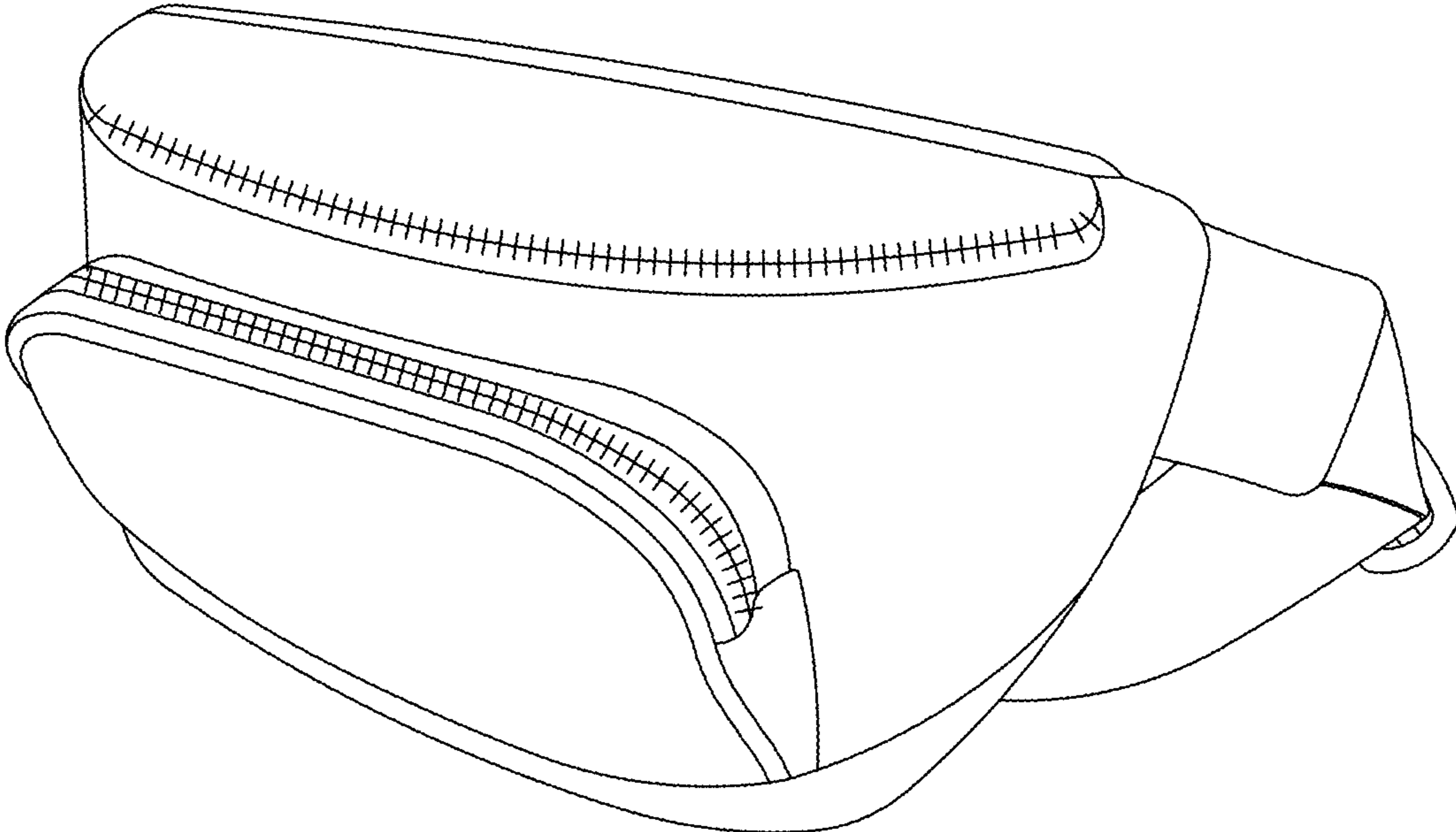


FIG. 1

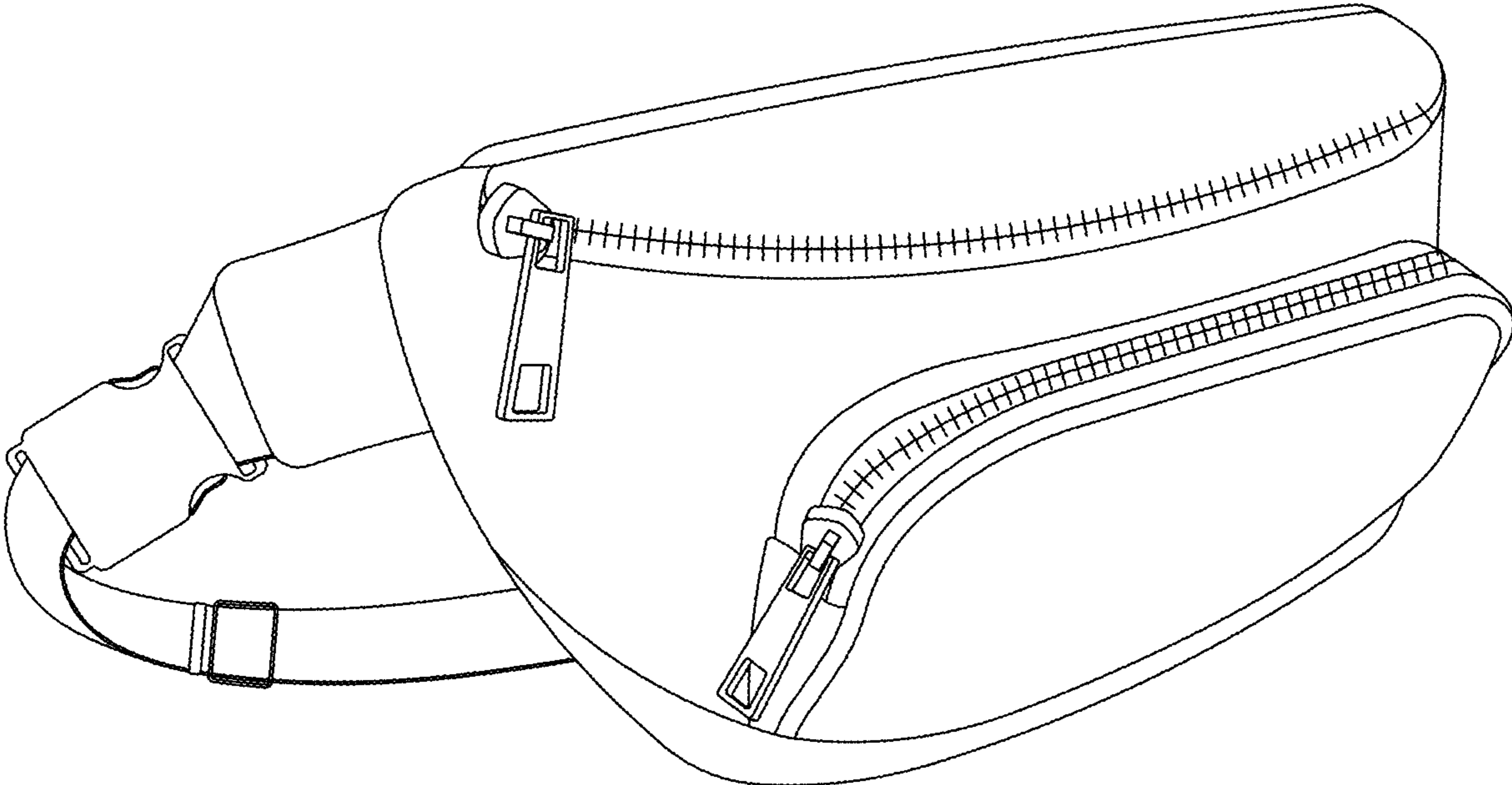


FIG. 2

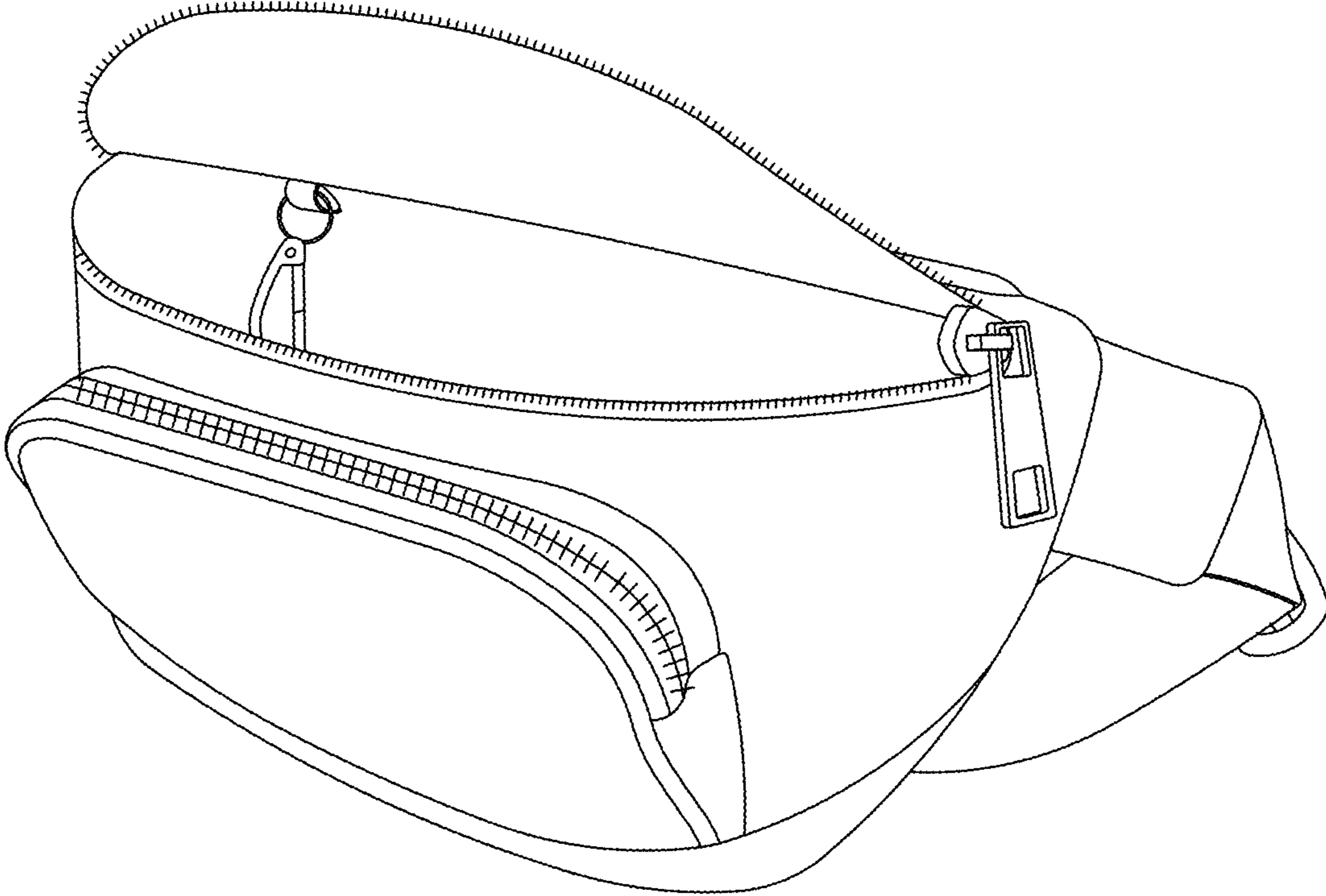


FIG. 3

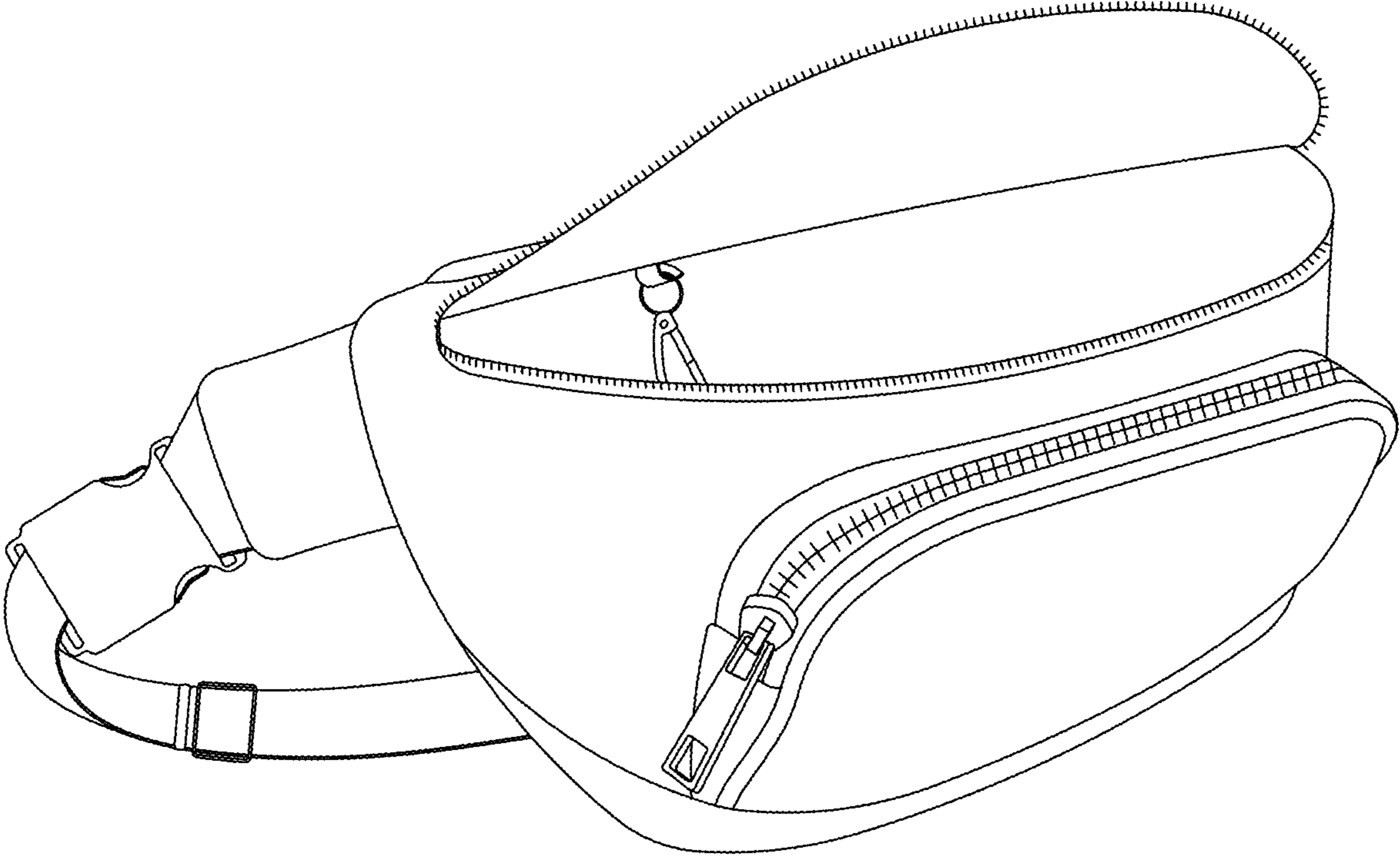


FIG. 4

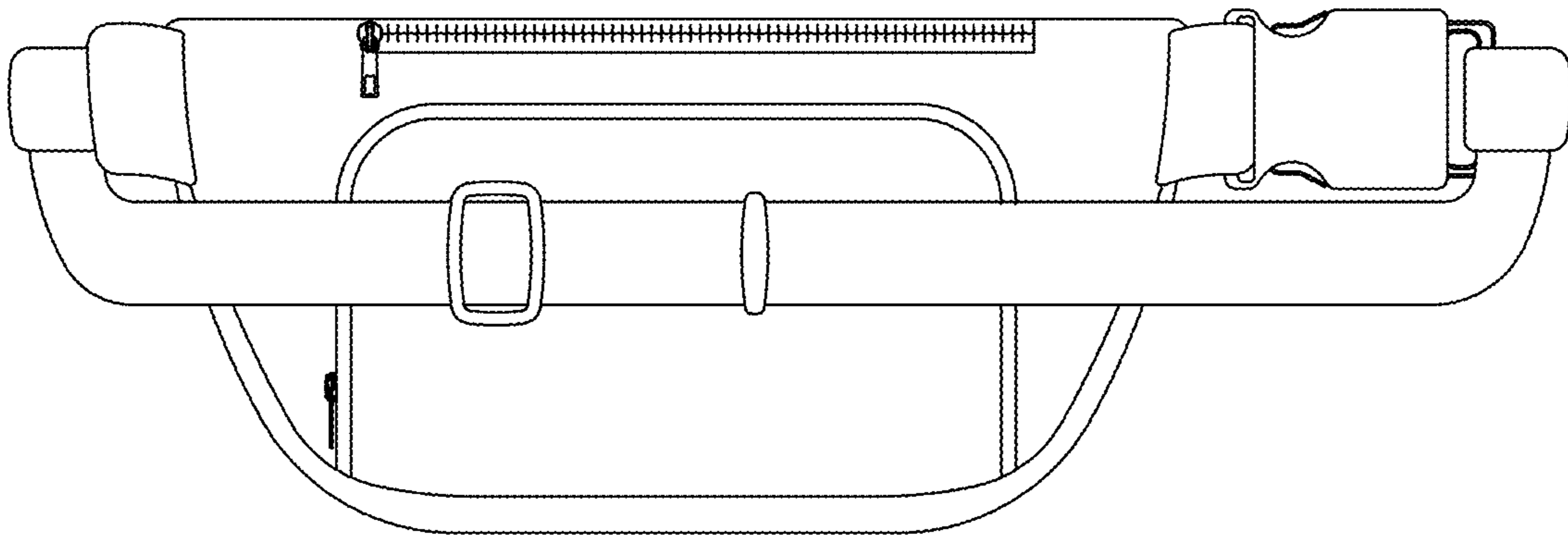


FIG. 5

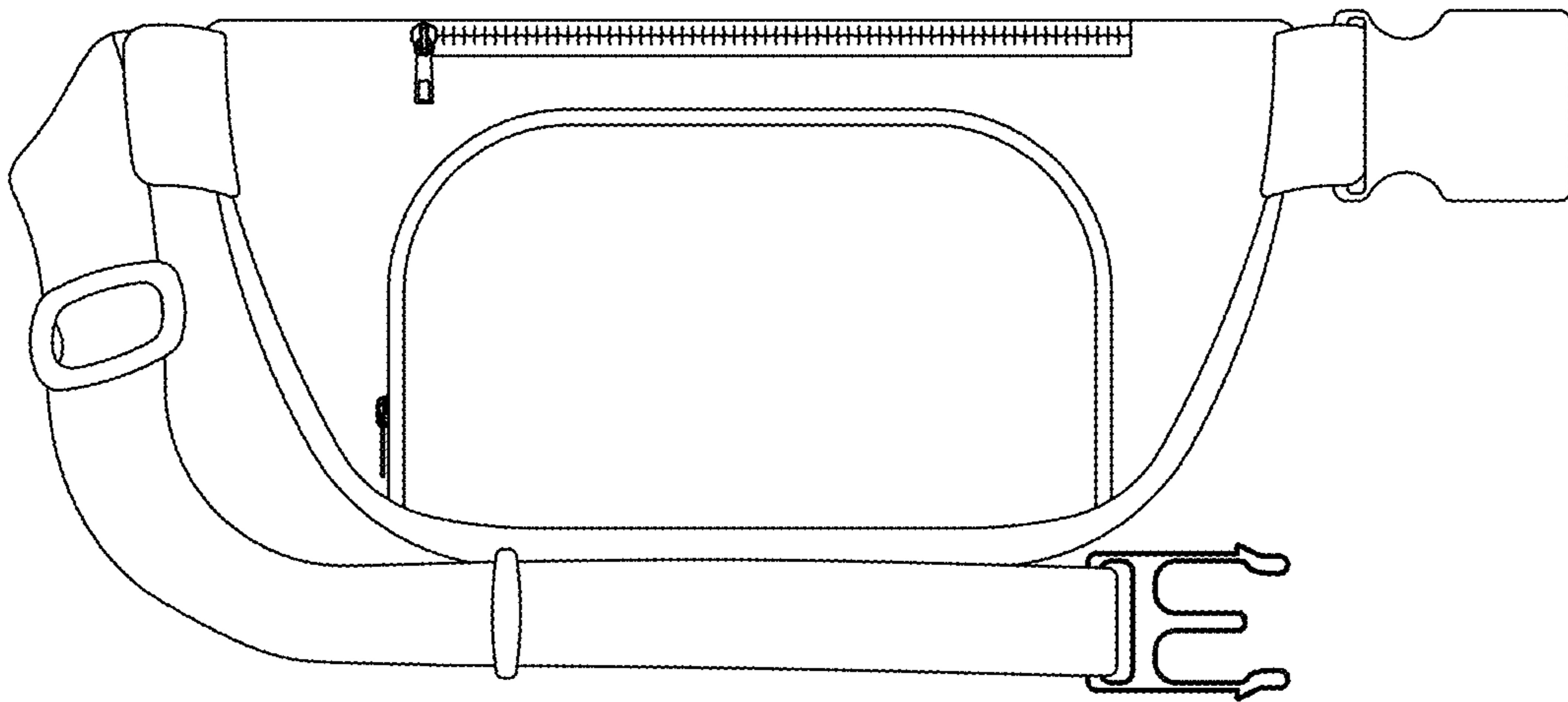


FIG. 6



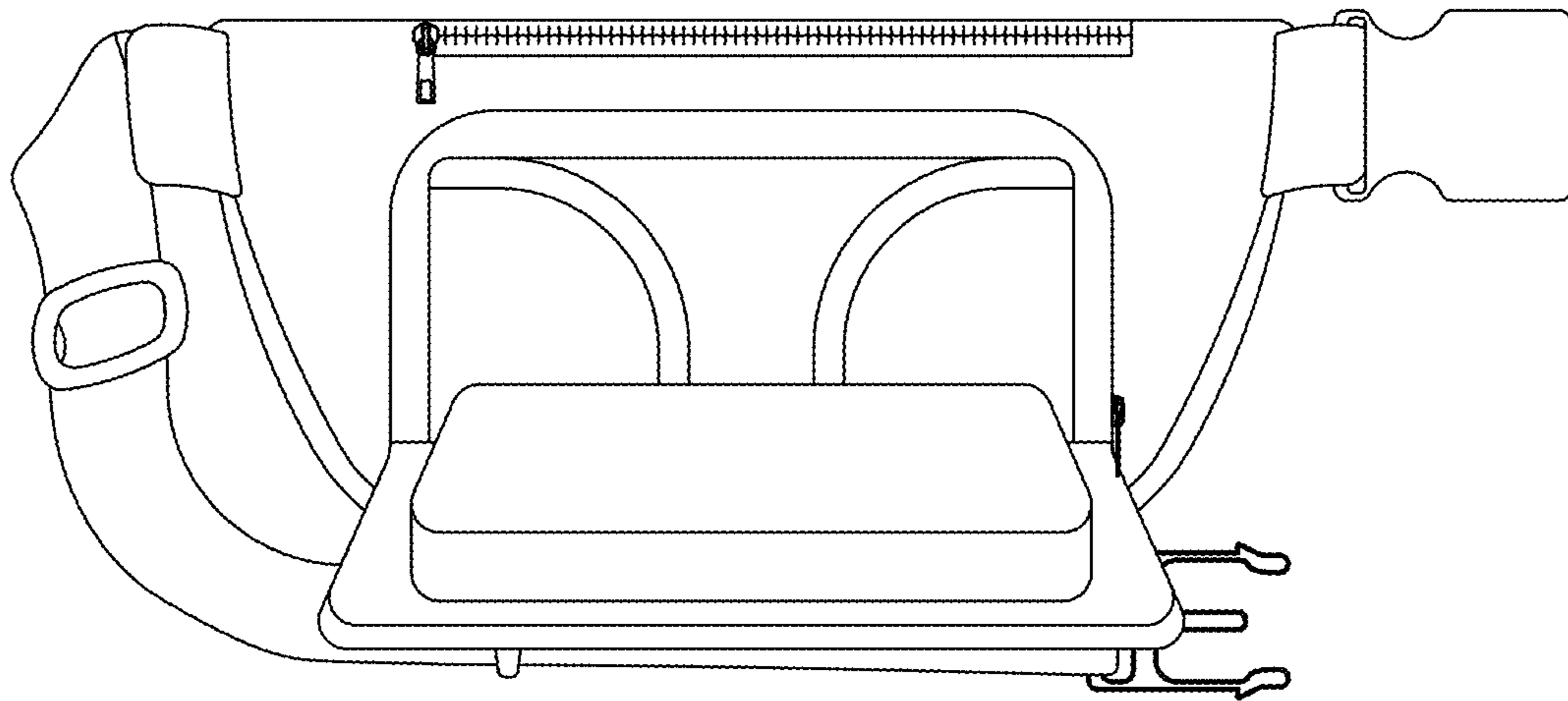


FIG. 7

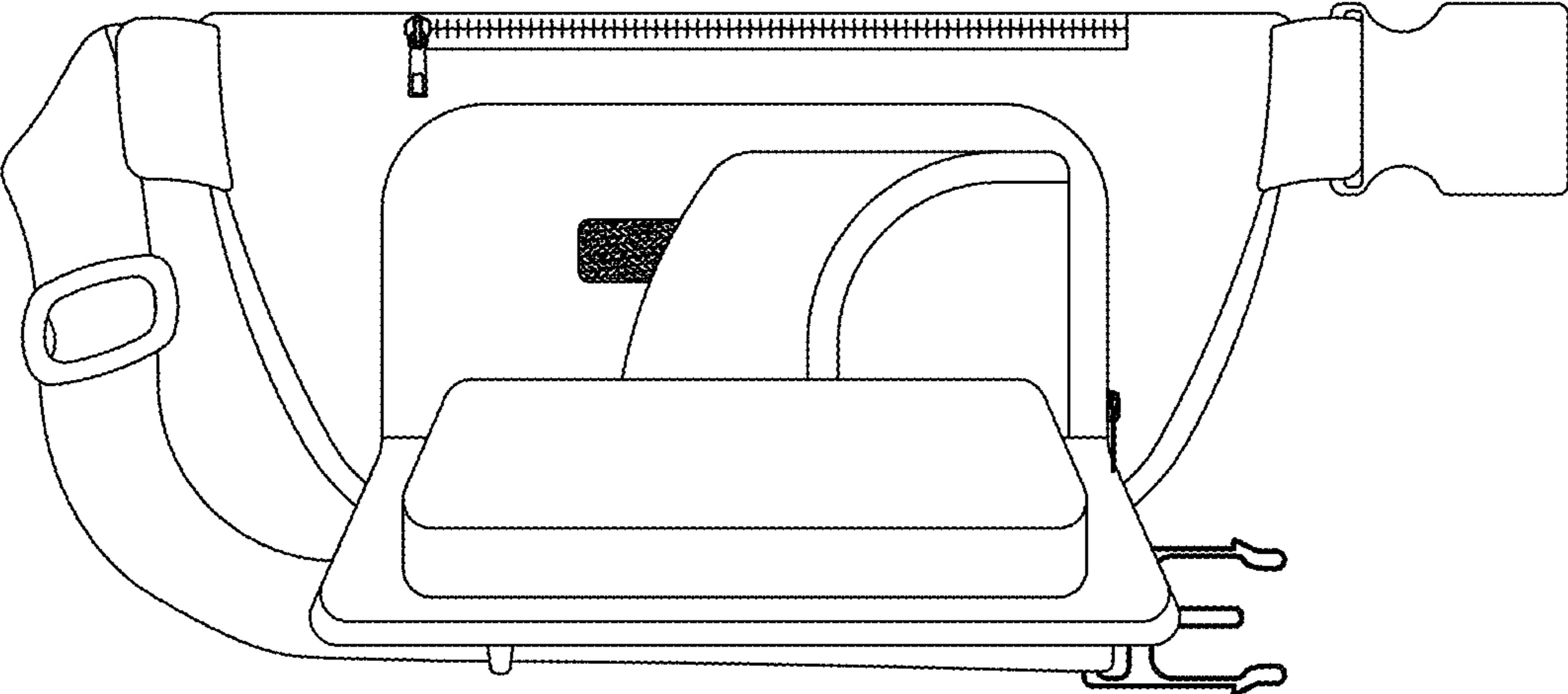


FIG. 8

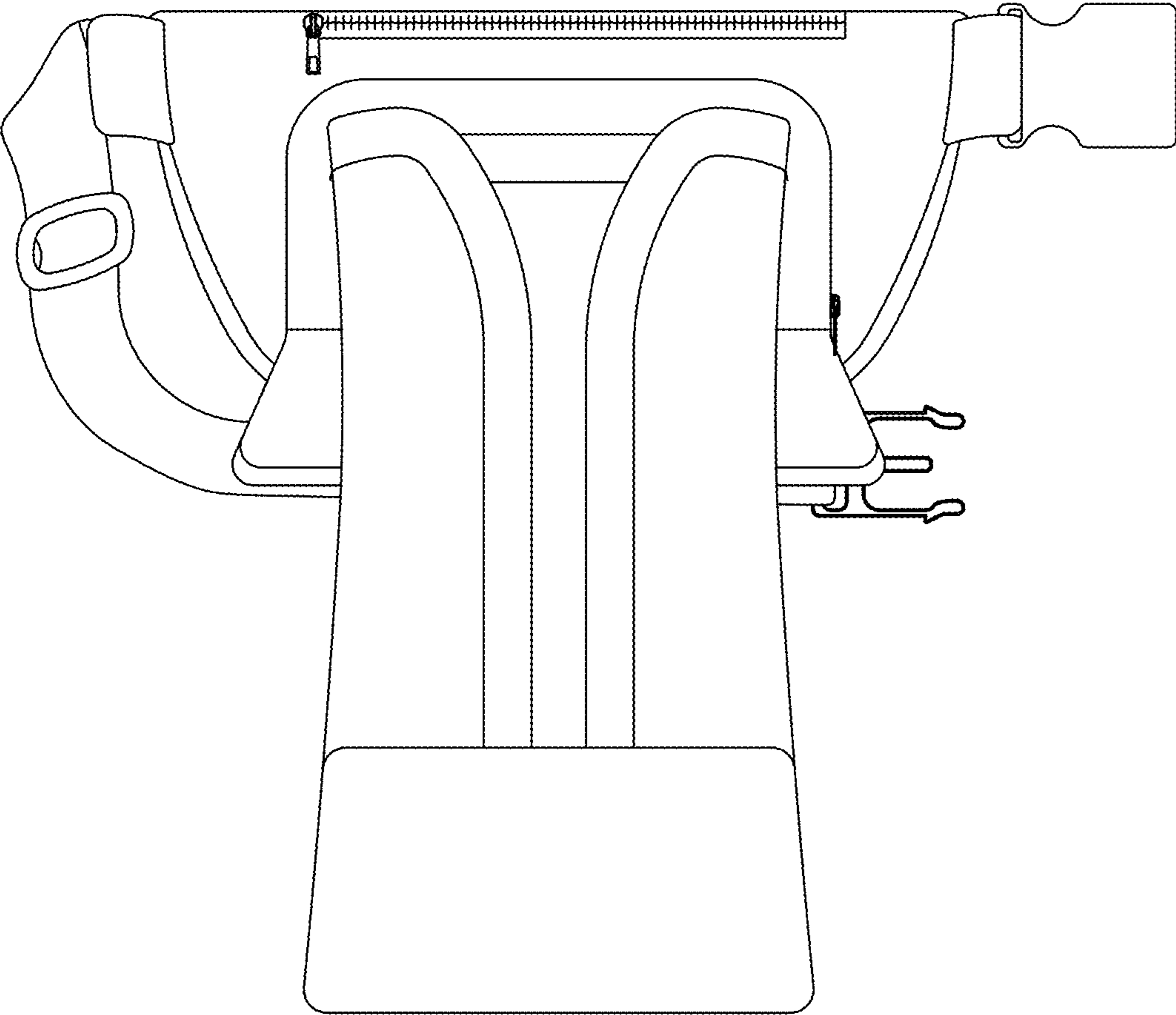


FIG. 9

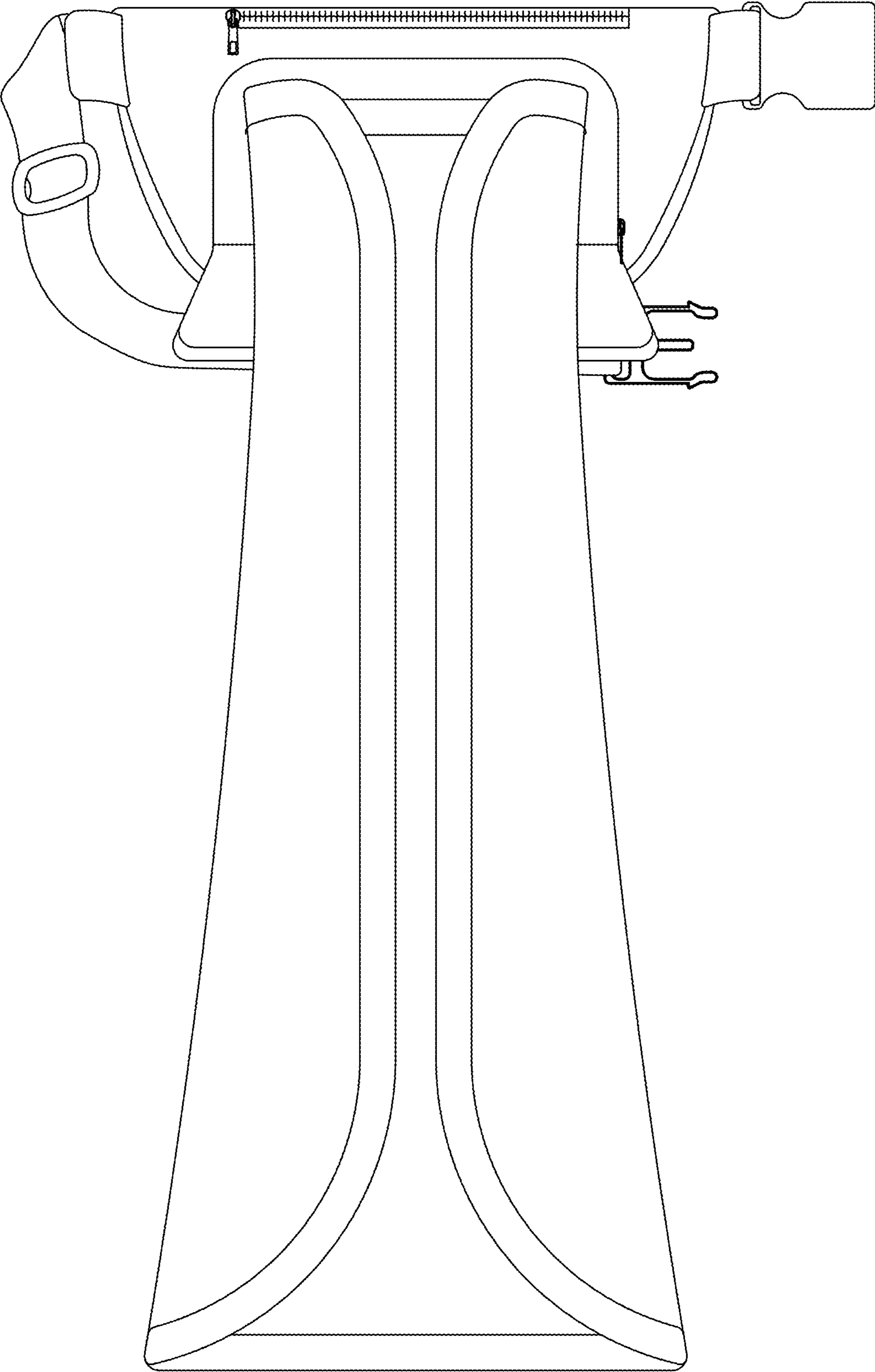


FIG. 10

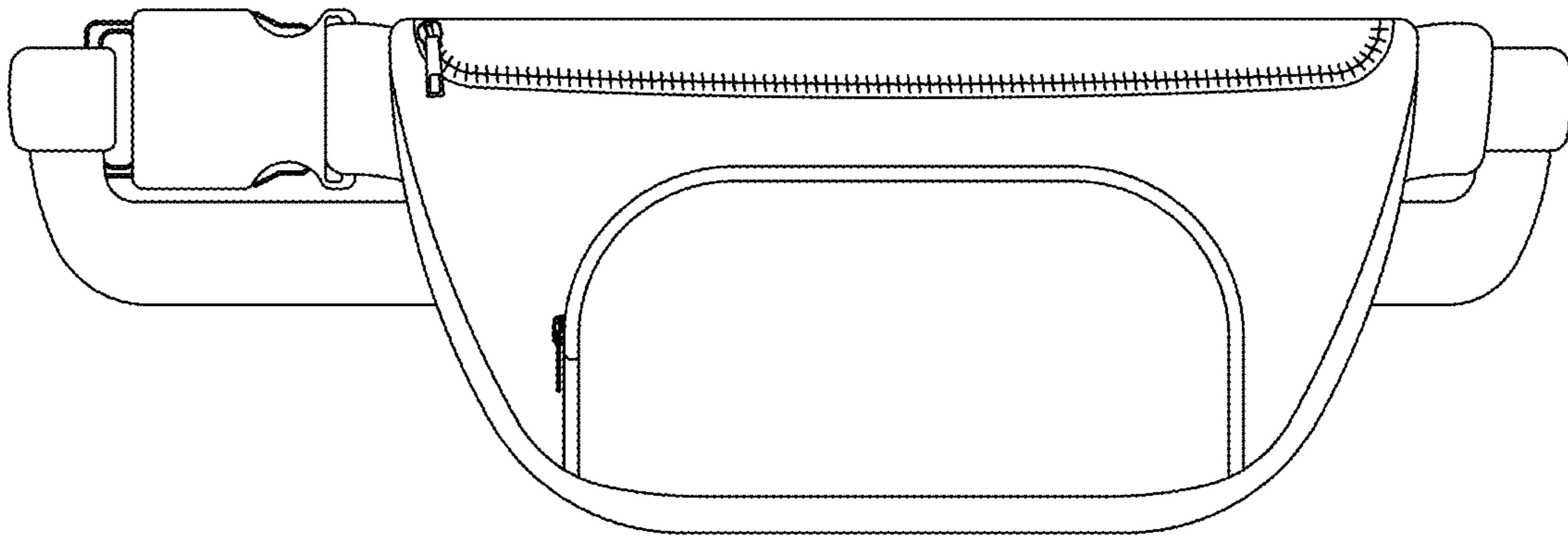


FIG. 11

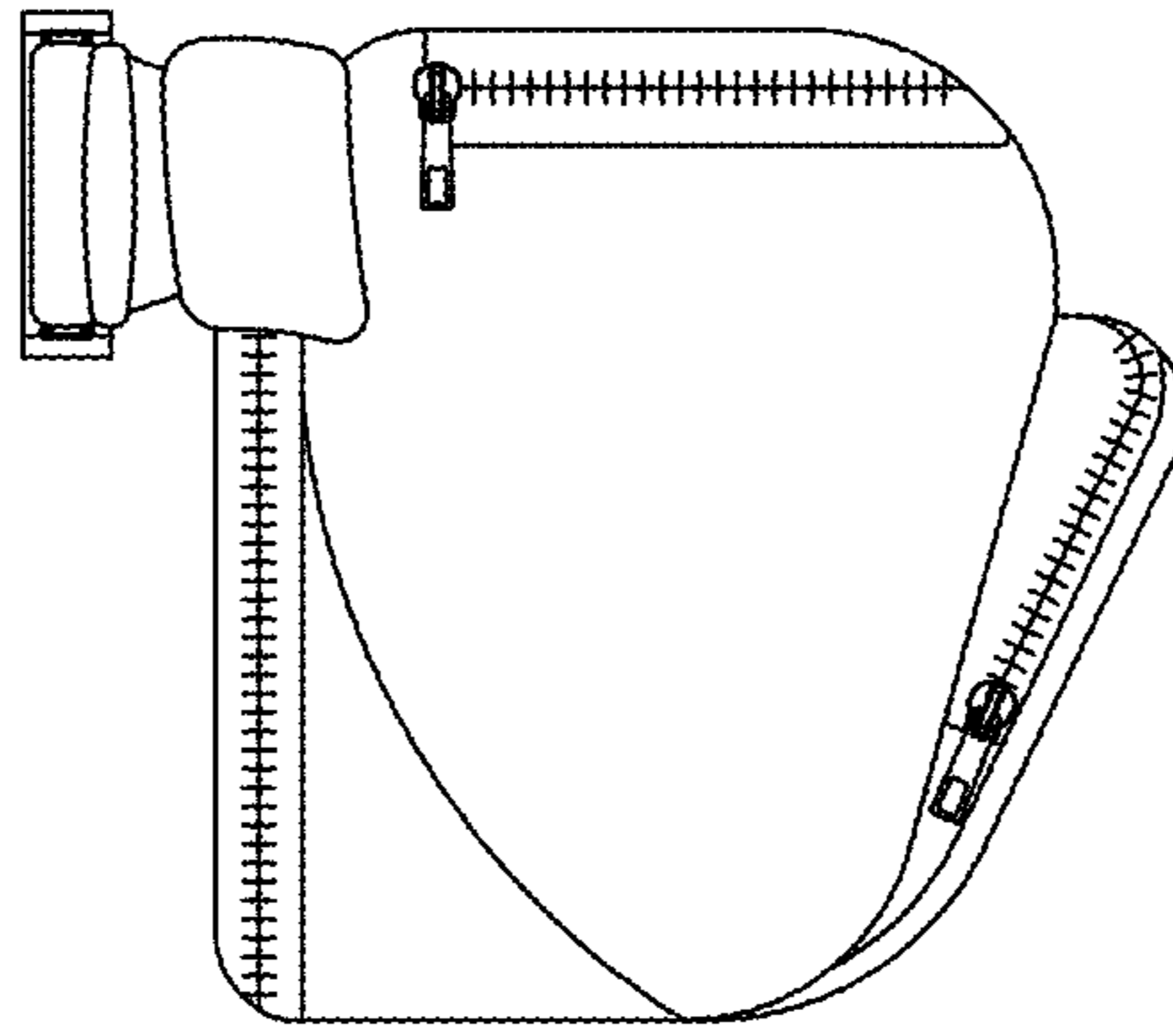


FIG. 12

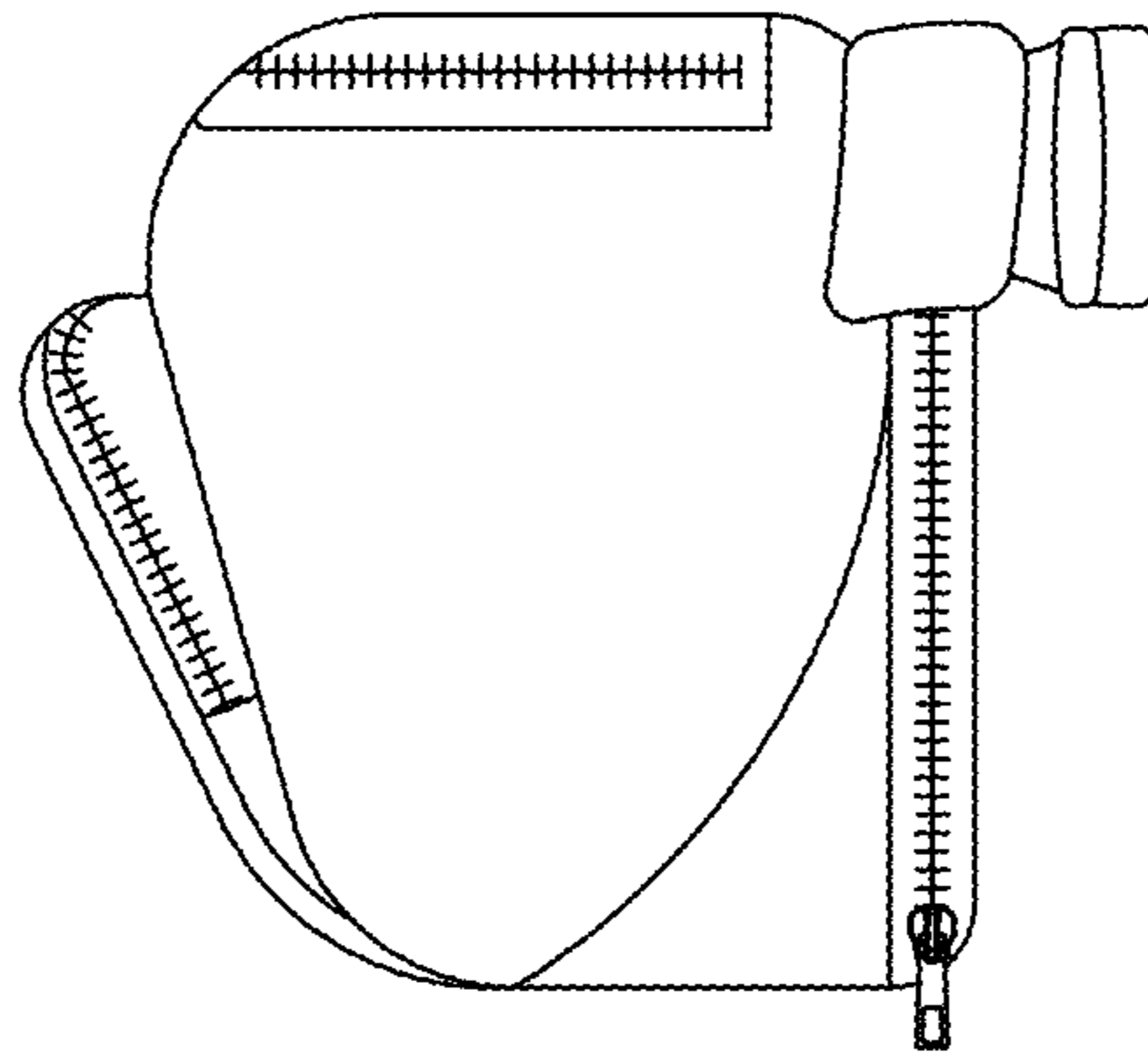


FIG. 13

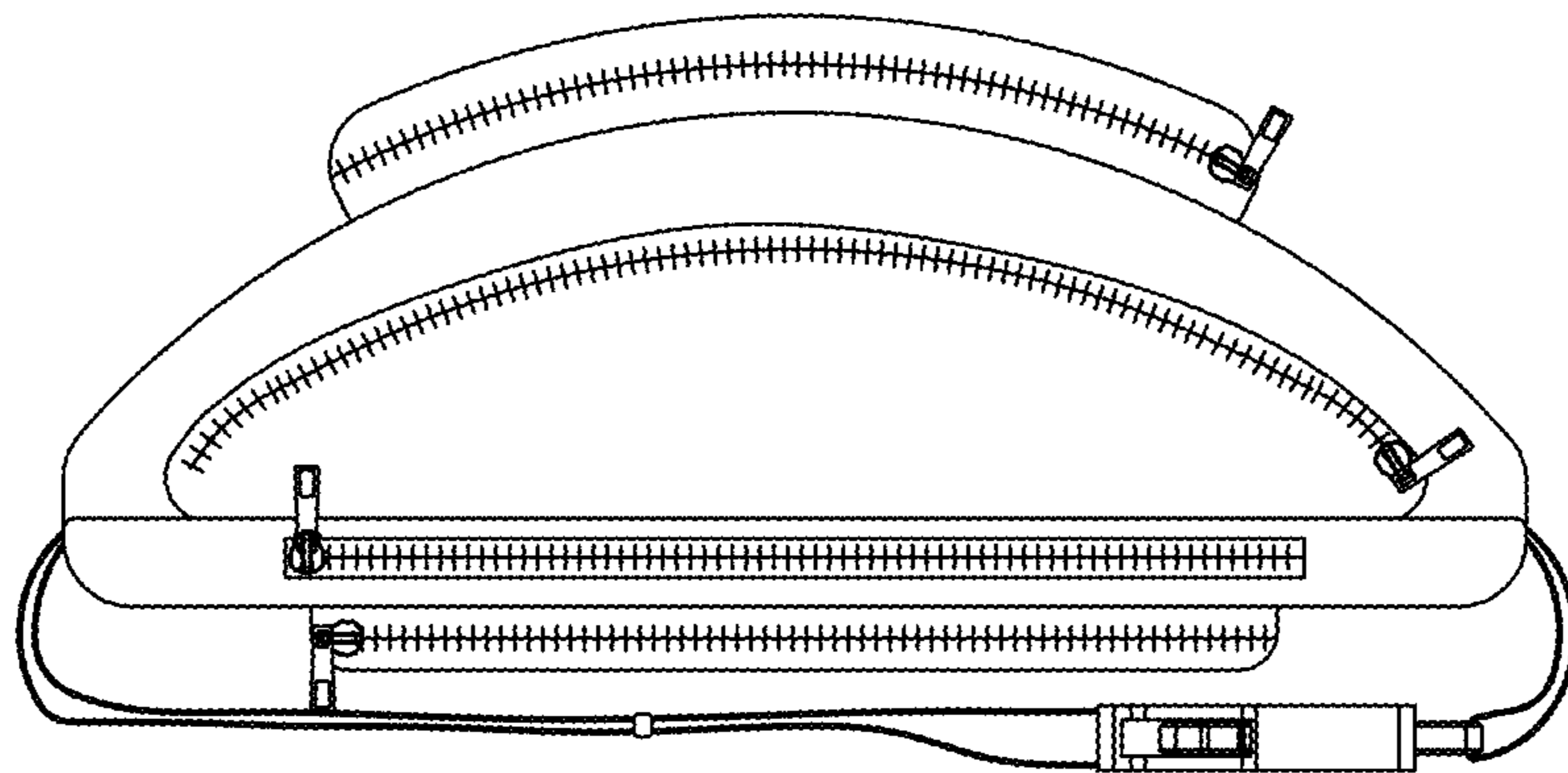


FIG. 14



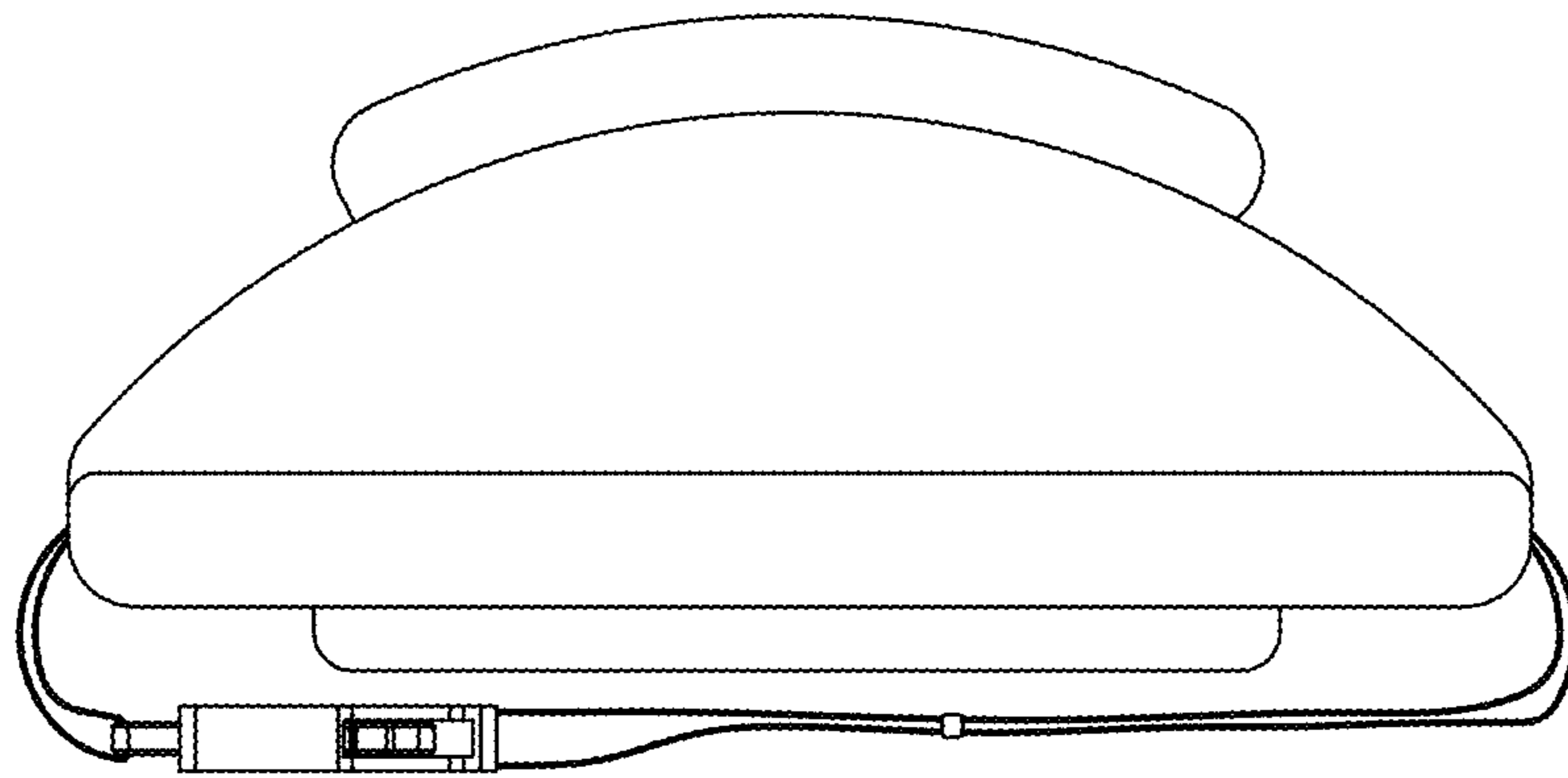


FIG. 15

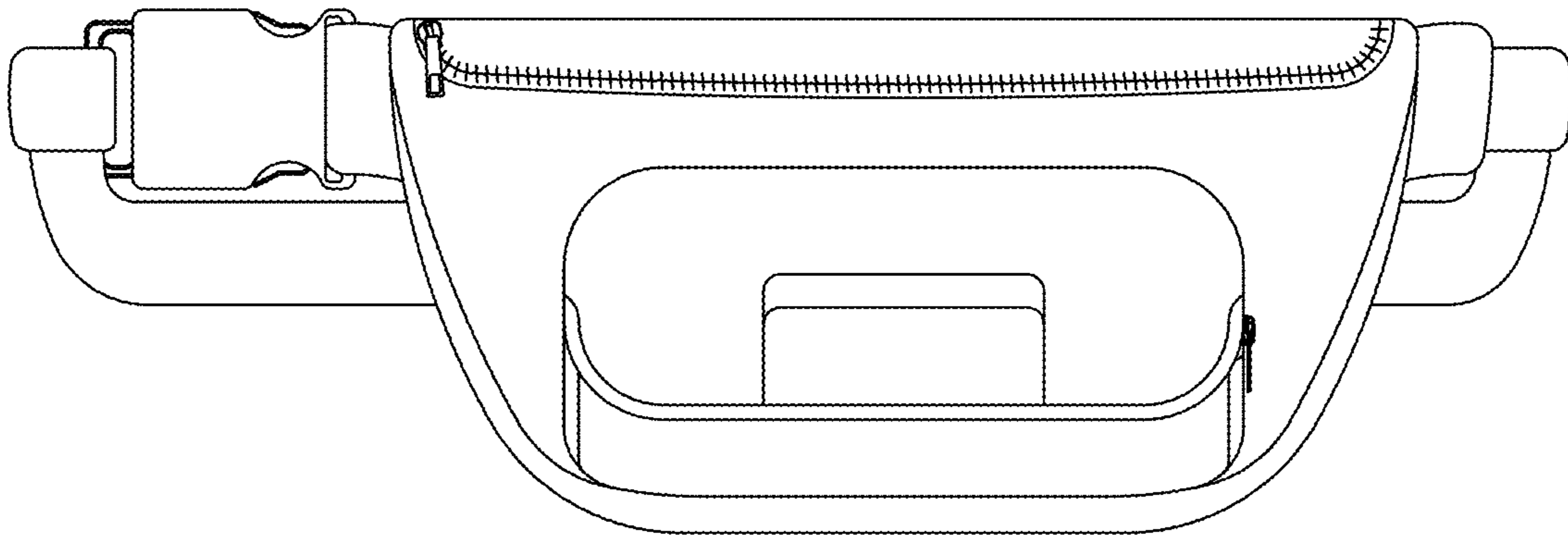


FIG. 16

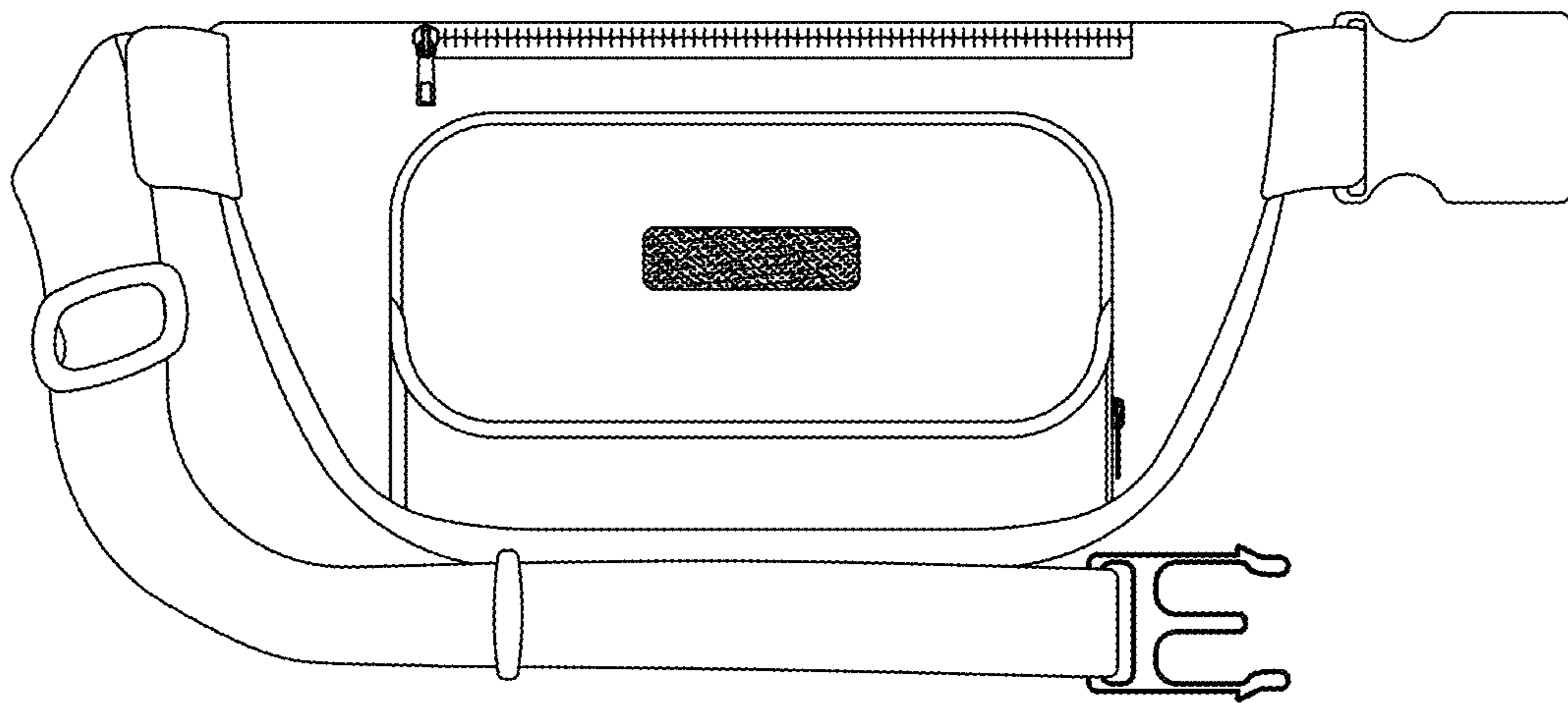


FIG. 17