



US00D984121S

(12) **United States Design Patent**  
**Goldstein**

(10) **Patent No.:** **US D984,121 S**

(45) **Date of Patent:** **\*\* Apr. 25, 2023**

(54) **CLIP HOLDER FOR A POCKET KNIFE**

D789,681 S \* 6/2017 Grisamore ..... D3/215  
D891,897 S \* 8/2020 Hogarth ..... D8/100  
11,141,870 B1 \* 10/2021 Goldstein ..... B26B 1/10  
D939,312 S \* 12/2021 Stiles, Jr. .... D8/99

(71) Applicant: **Avraham Goldstein**, Flushing, NY  
(US)

(72) Inventor: **Avraham Goldstein**, Flushing, NY  
(US)

(\*\*) Term: **15 Years**

(21) Appl. No.: **29/758,584**

(22) Filed: **Nov. 17, 2020**

(51) **LOC (14) Cl.** ..... **03-01**

(52) **U.S. Cl.**  
USPC ..... **D3/220; D3/208**

(58) **Field of Classification Search**  
USPC ..... D3/215, 226, 303, 315, 228, 206, 220,  
D3/208, 210, 212; D19/102, 115, 192  
CPC ..... A45F 5/02; A45F 5/00; A45F 5/021  
See application file for complete search history.

(56) **References Cited**

**U.S. PATENT DOCUMENTS**

D297,771 S \* 9/1988 Thomas ..... D3/226  
5,495,673 A \* 3/1996 Gardiner ..... B26B 11/00  
30/296.1  
D410,189 S \* 5/1999 Wehrs ..... D8/99  
6,000,103 A \* 12/1999 Paice ..... A45F 5/02  
24/3.12  
6,273,582 B1 \* 8/2001 Taggart ..... B26B 11/008  
362/253  
D651,974 S \* 1/2012 Benedetti ..... D13/137.2  
D748,906 S \* 2/2016 King ..... D3/206

**OTHER PUBLICATIONS**

Clip & Carry SwissLinQ Keychain Case, first available Dec. 28, 2020, amazon.com [online], [site visited Mar. 3, 2023], Available at URL: <https://www.amazon.com/Clip-Carry-SwissLinQ-Victorinox-Conveniently/dp/B08RF3FQDF?th=1> (Year: 2020).\*

\* cited by examiner

*Primary Examiner* — Andrew Kerr  
*Assistant Examiner* — Caitlin A Laverty

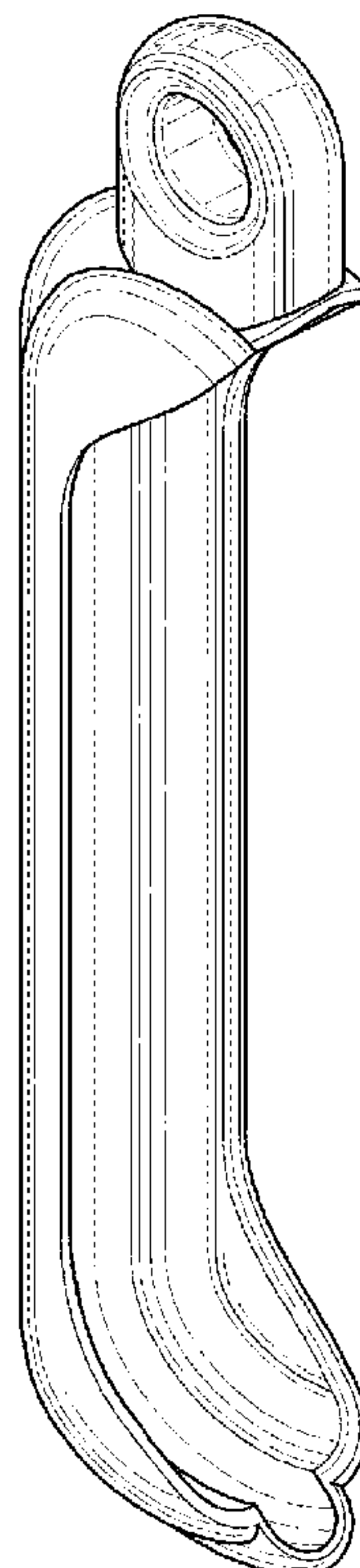
(57) **CLAIM**

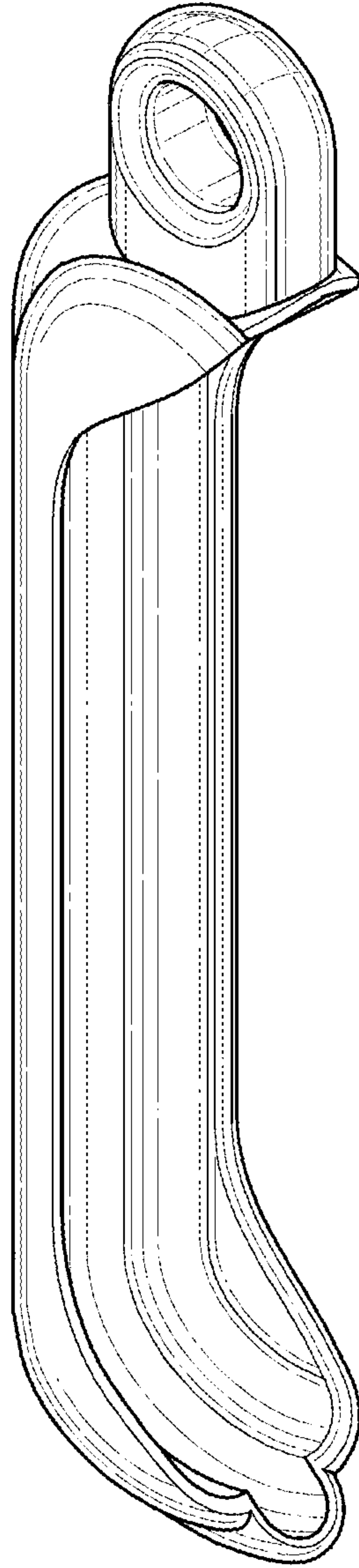
I claim the ornamental design for a clip holder for a pocket knife, as shown and described.

**DESCRIPTION**

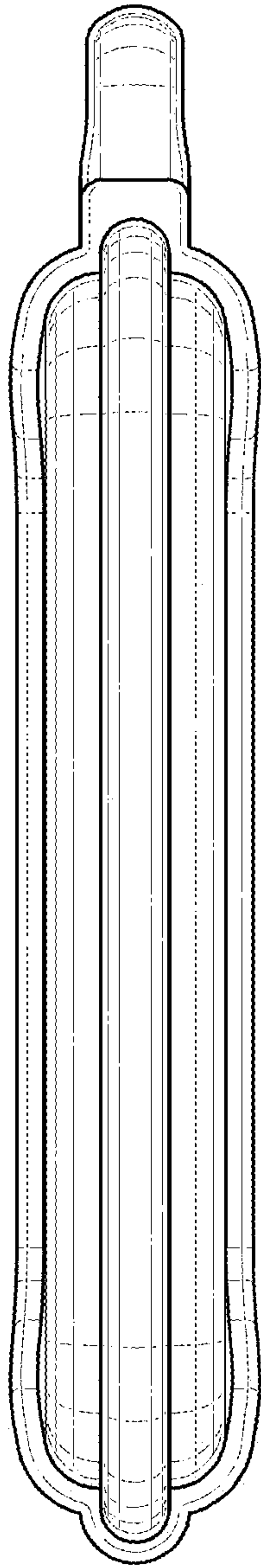
FIG. 1 is an elevated perspective view of the clip holder for a pocket knife of my claimed design;  
FIG. 2 is a front view of the clip holder of FIG. 1;  
FIG. 3 is a back view of the clip holder of FIG. 1;  
FIG. 4 is a left side view of the clip holder of FIG. 1;  
FIG. 5 is a right side view of the clip holder of FIG. 1;  
FIG. 6 is a top view of the clip holder of FIG. 1;  
FIG. 7 is a bottom view of the clip holder of FIG. 1; and,  
FIG. 8 is another elevated perspective view of the clip holder of FIG. 1, showing a pocket knife within the clip holder. The broken lines in FIG. 8 showing a pocket knife illustrate environmental structures and form no part of the claimed design.

**1 Claim, 5 Drawing Sheets**

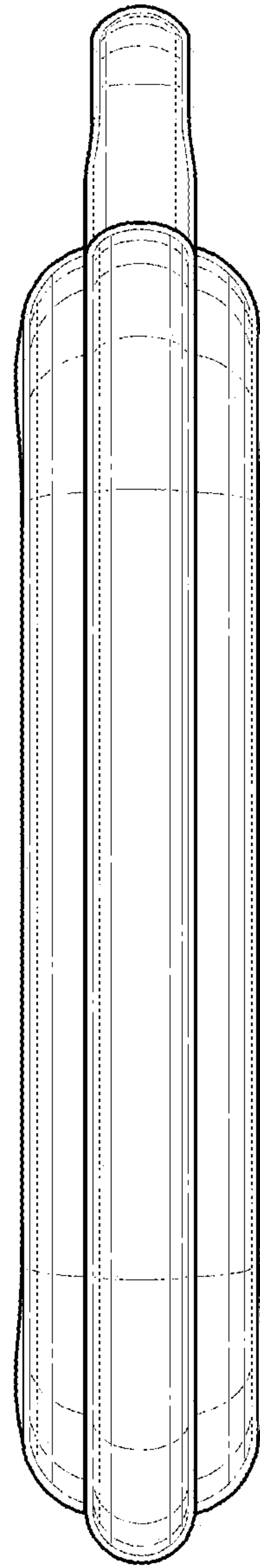




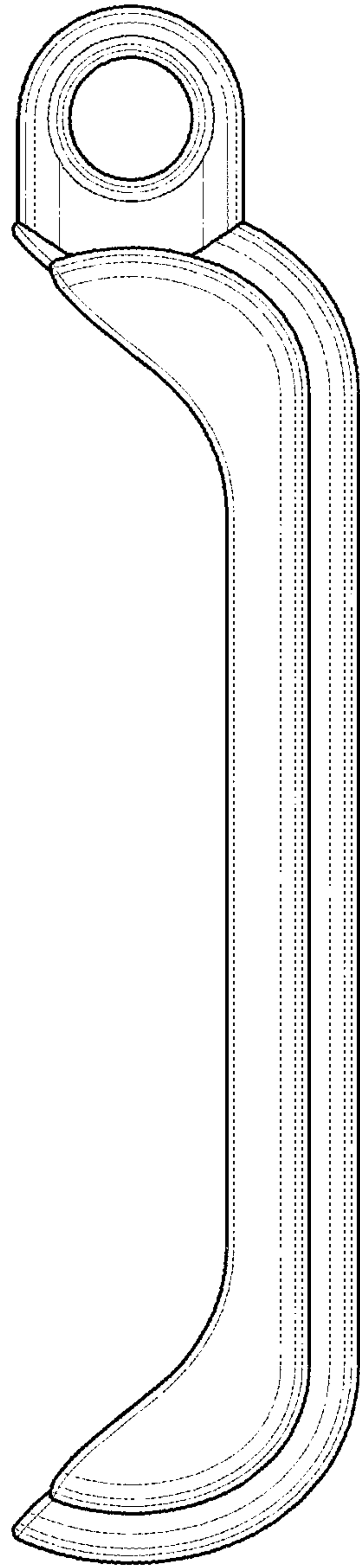
**FIG. 1**



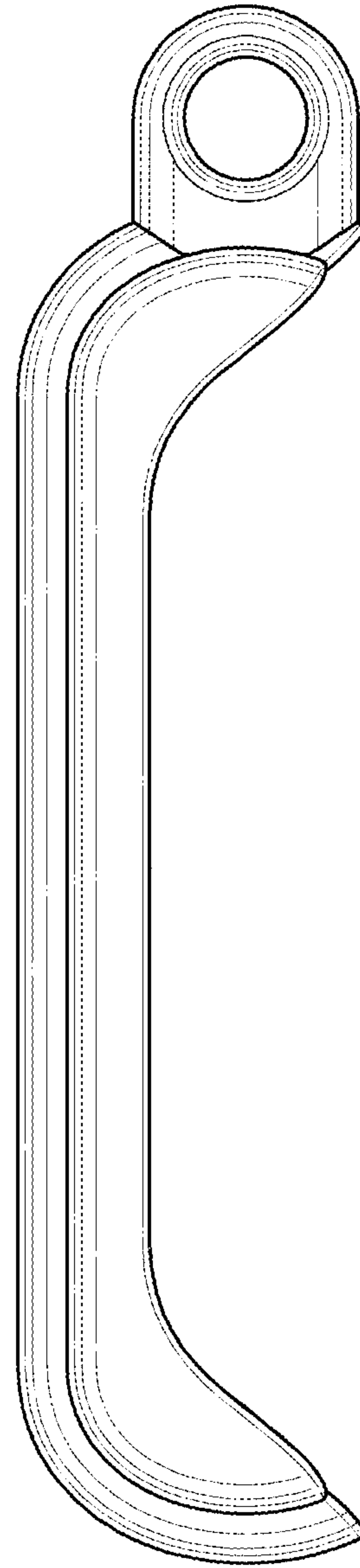
**FIG. 2**



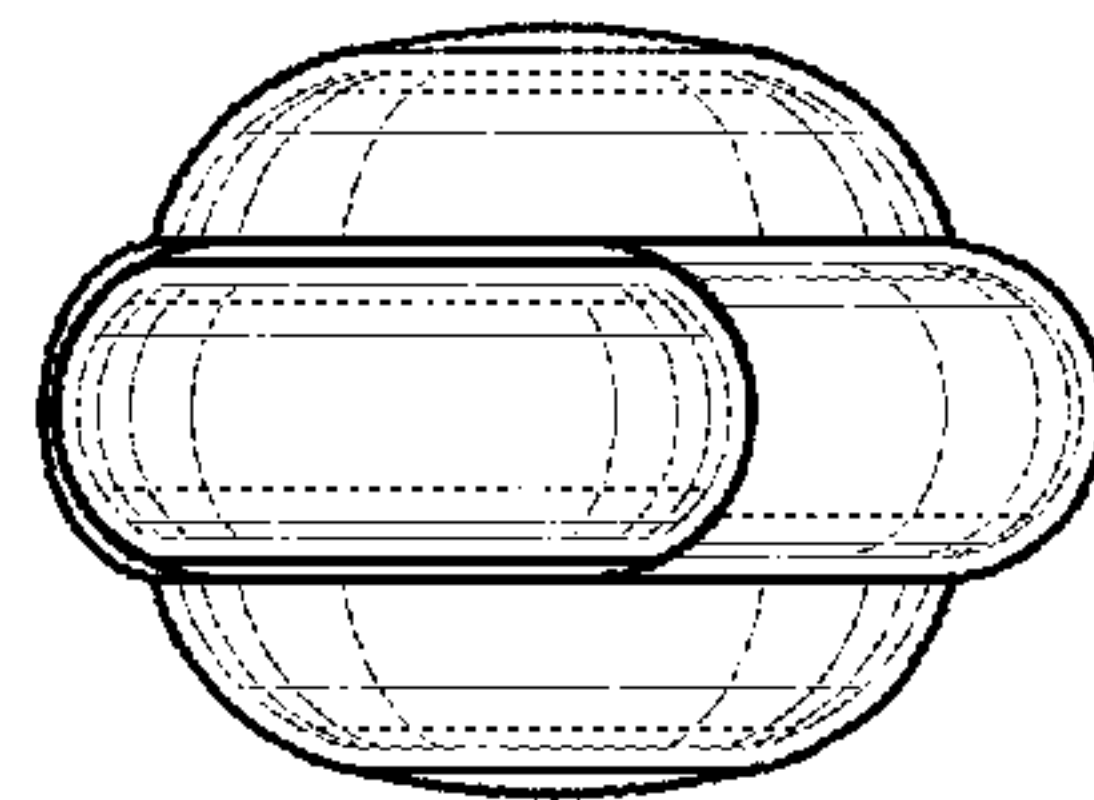
**FIG. 3**



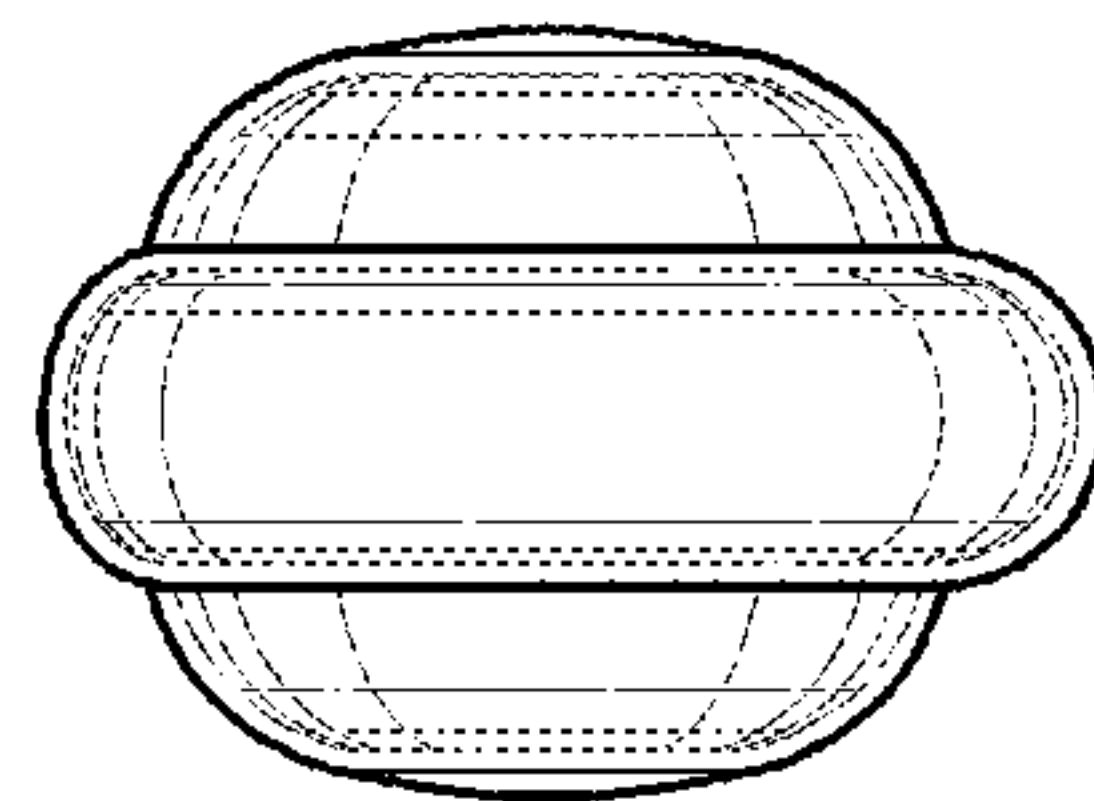
**FIG. 4**



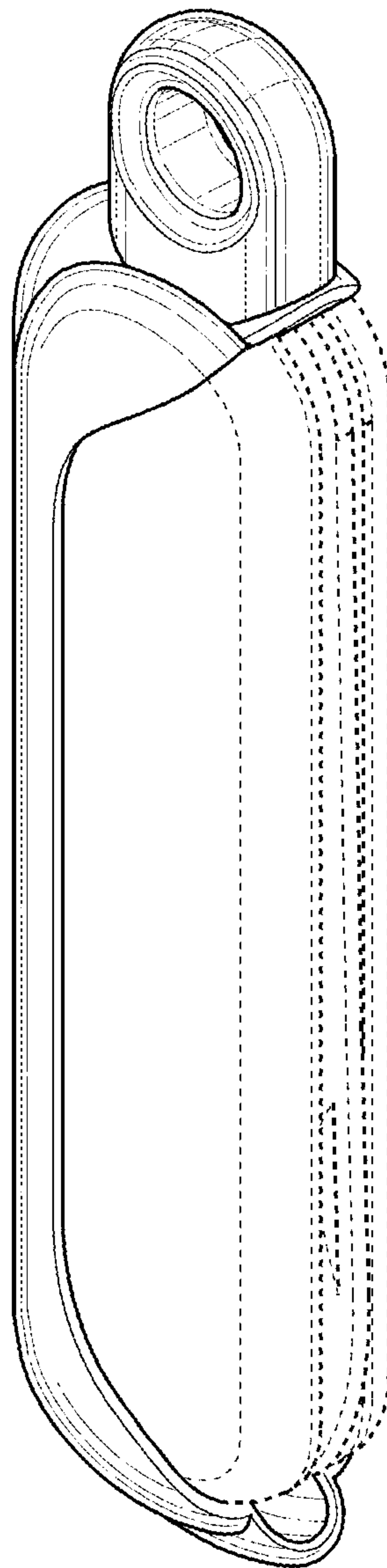
**FIG. 5**



**FIG. 6**



**FIG. 7**



**FIG. 8**