



US00D984120S

(12) **United States Design Patent** (10) **Patent No.:** **US D984,120 S**
Li (45) **Date of Patent:** **** Apr. 25, 2023**

(54) **BOOK BAG**
(71) Applicant: **Shaochong Li**, Foshan (CN)
(72) Inventor: **Shaochong Li**, Foshan (CN)
(**) Term: **15 Years**
(21) Appl. No.: **29/861,078**
(22) Filed: **Nov. 25, 2022**
(51) **LOC (14) Cl.** **03-01**
(52) **U.S. Cl.**
USPC **D3/217**
(58) **Field of Classification Search**
USPC D3/201, 203.1, 203.2, 203.3, 203.6,
D3/203.7, 203.8, 207-211, 215-218,
D3/224-228, 230-233, 242-251, 273,
D3/274, 288-290, 310-315, 318-323
CPC A45F 5/02; A45F 3/02; A45F 3/04; A45F
3/042; A45F 3/047; A45F 3/08; A45F
3/10; A45F 3/01; A45C 13/24; A45C
13/126; A45C 13/185; A45C 13/149;
A45C 13/18
See application file for complete search history.

D944,515 S * 3/2022 Ji D3/217
D956,411 S * 7/2022 Jin D3/217
D957,117 S * 7/2022 Wilcox D3/217
D960,560 S * 8/2022 Lin D3/217
D970,210 S * 11/2022 Bin D3/217
2008/0116026 A1 * 5/2008 Bass A45C 7/0086
190/1
2008/0245829 A1 * 10/2008 Hansen A45C 7/0054
224/153

OTHER PUBLICATIONS

“Lenovo Legion 17”, [Posted on amazon.com], [First Available on Aug. 2, 2019], [Retrieved on Mar. 2, 2023], <https://www.amazon.com/Lenovo-Double-Layered-Protection-Dedicated-GX40V10007/dp/B07VVRZ7ZB/> (Year: 2019).*

* cited by examiner

Primary Examiner — Eric L Goodman
Assistant Examiner — Christopher John Suarez La Rosa
(74) *Attorney, Agent, or Firm* — Jeenam Park

(57) **CLAIM**

The ornamental design for a book bag, as shown and described.

(56) **References Cited**

U.S. PATENT DOCUMENTS

4,940,173 A * 7/1990 Jacober A45C 11/20
224/583
5,411,192 A * 5/1995 Xiao A45F 4/02
224/560
D552,350 S 10/2007 Bosley
D646,054 S 10/2011 Littleton
D661,085 S * 6/2012 Custer D3/217
D699,943 S * 2/2014 Mather D3/217
D702,434 S * 4/2014 Chalk A45F 3/04
D3/217
D893,168 S * 8/2020 Smith D3/217

DESCRIPTION

FIG. 1 is a front, right and top perspective view of a book bag, showing my new design;
FIG. 2 is a rear, right and top perspective view thereof;
FIG. 3 is a front view thereof;
FIG. 4 is a rear view thereof;
FIG. 5 is a left side view thereof;
FIG. 6 is a right side view thereof;
FIG. 7 is a bottom plan view thereof; and,
FIG. 8 is a top plan view thereof.

1 Claim, 8 Drawing Sheets

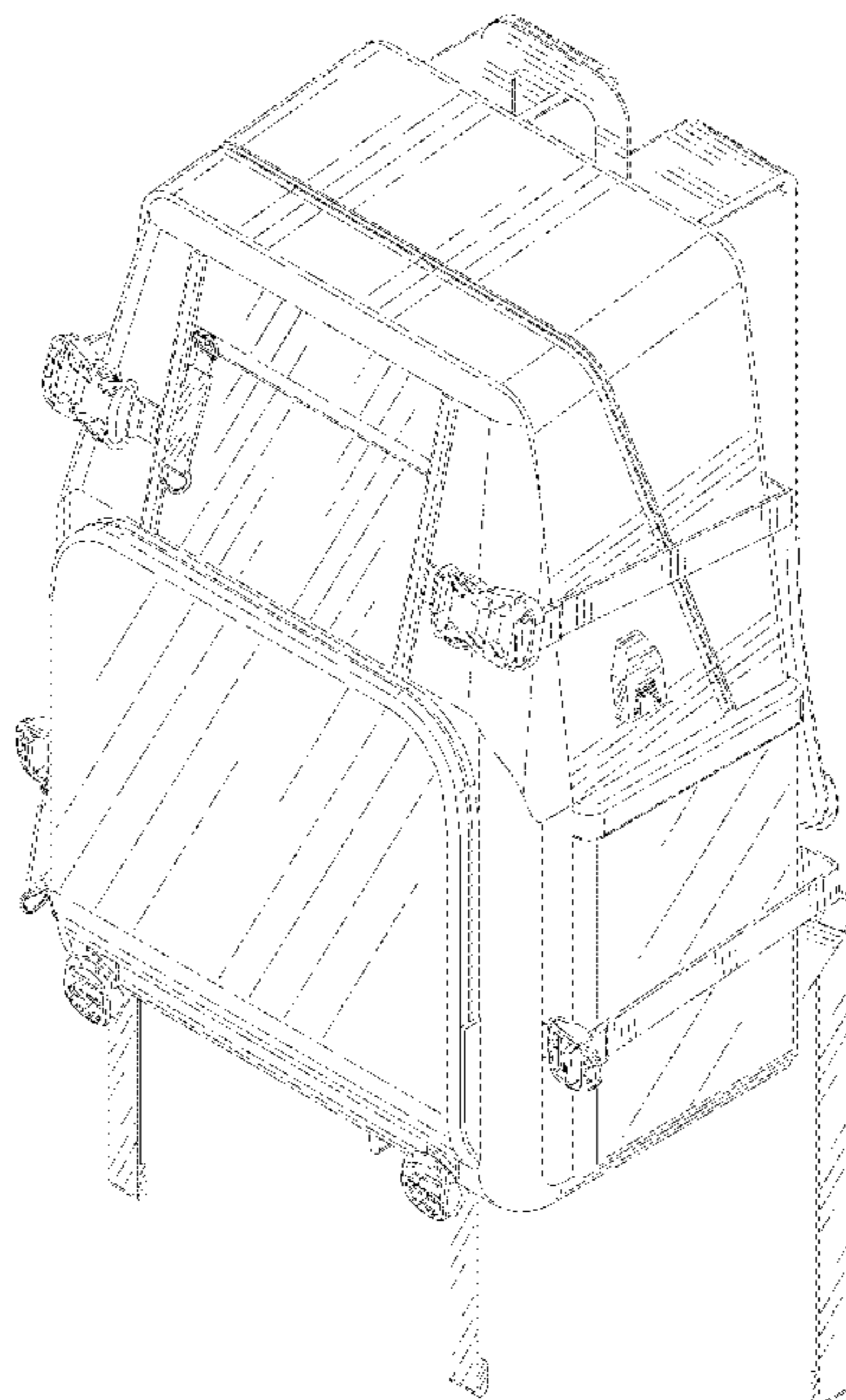




FIG. 1

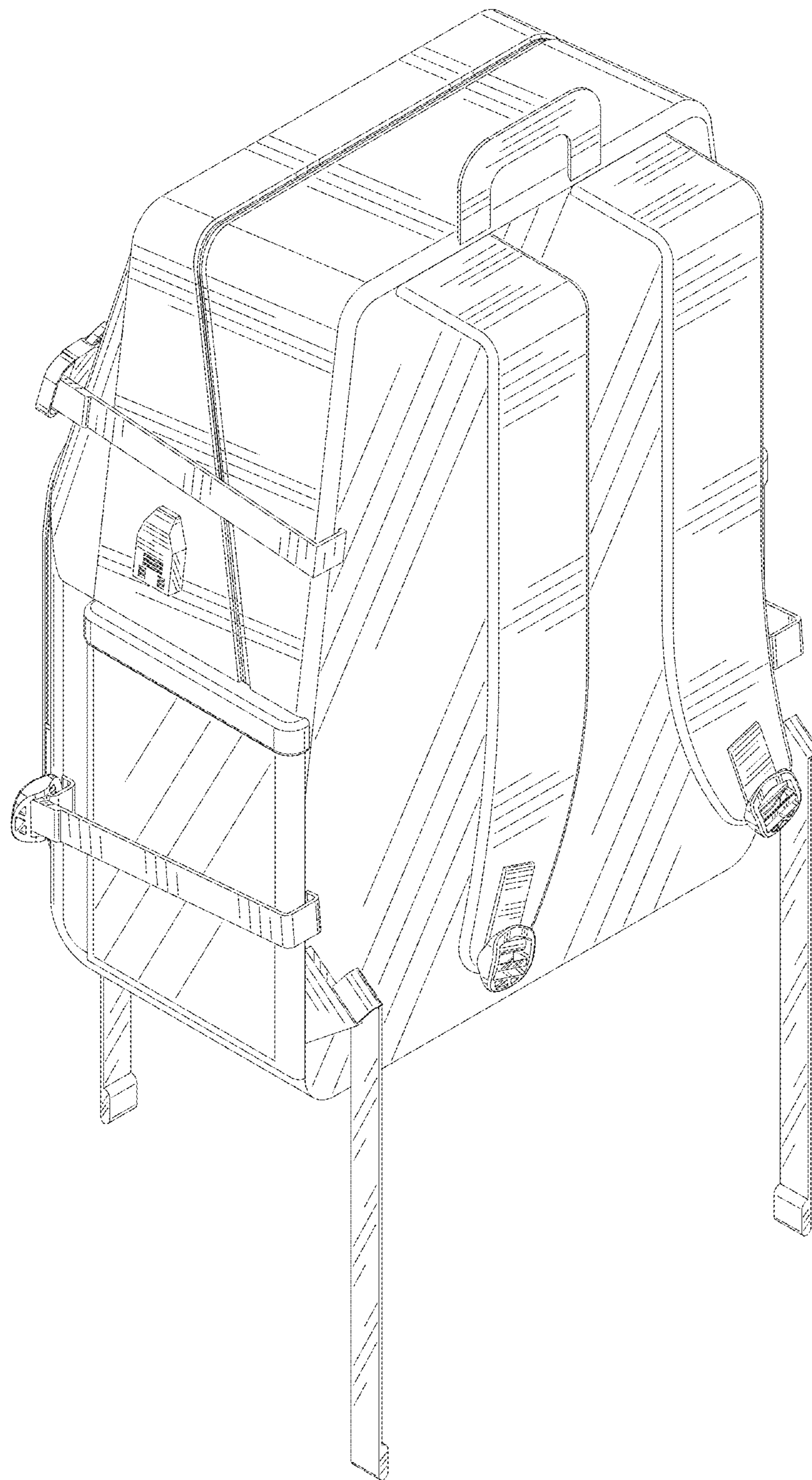


FIG. 2

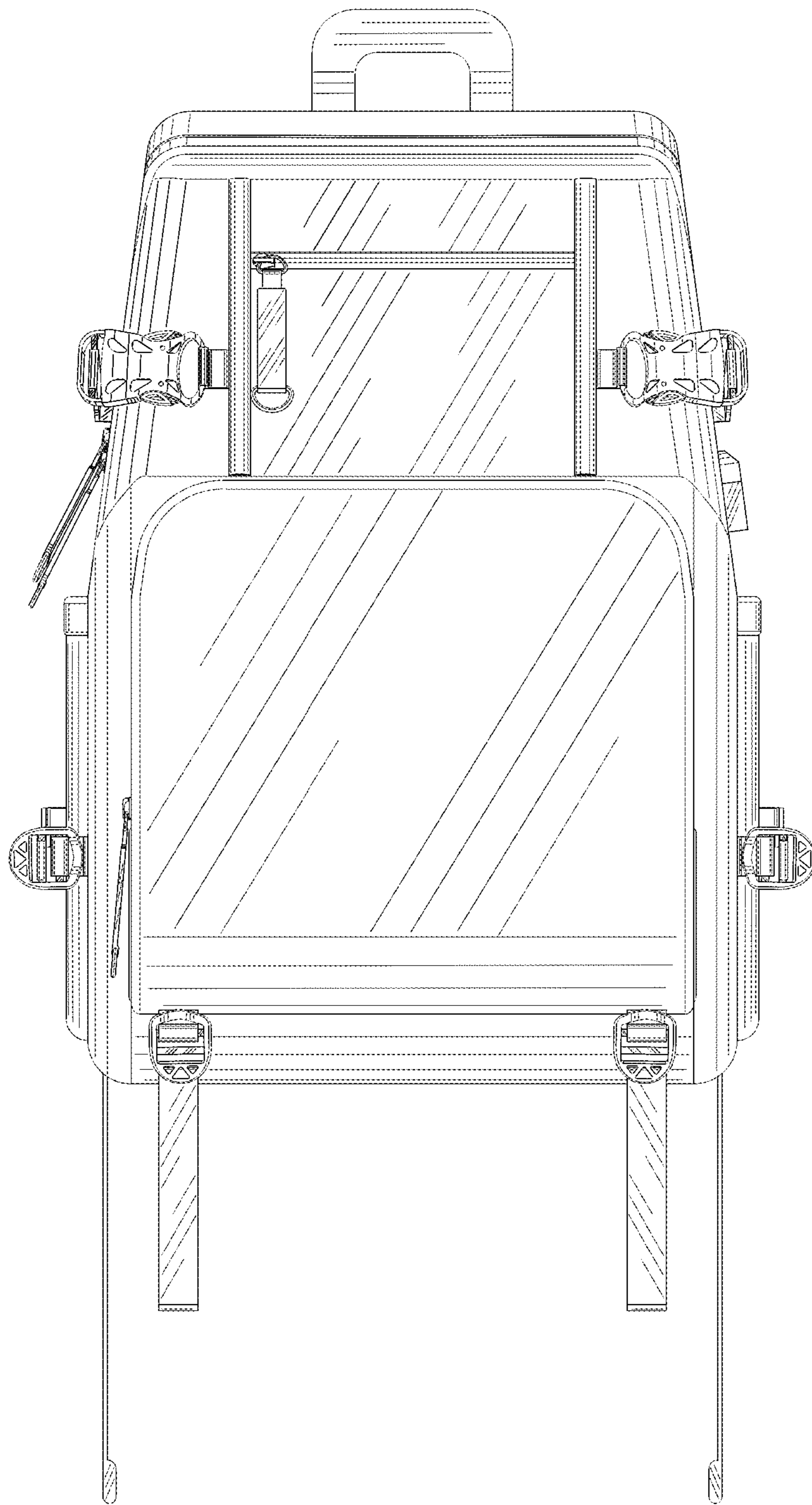


FIG. 3

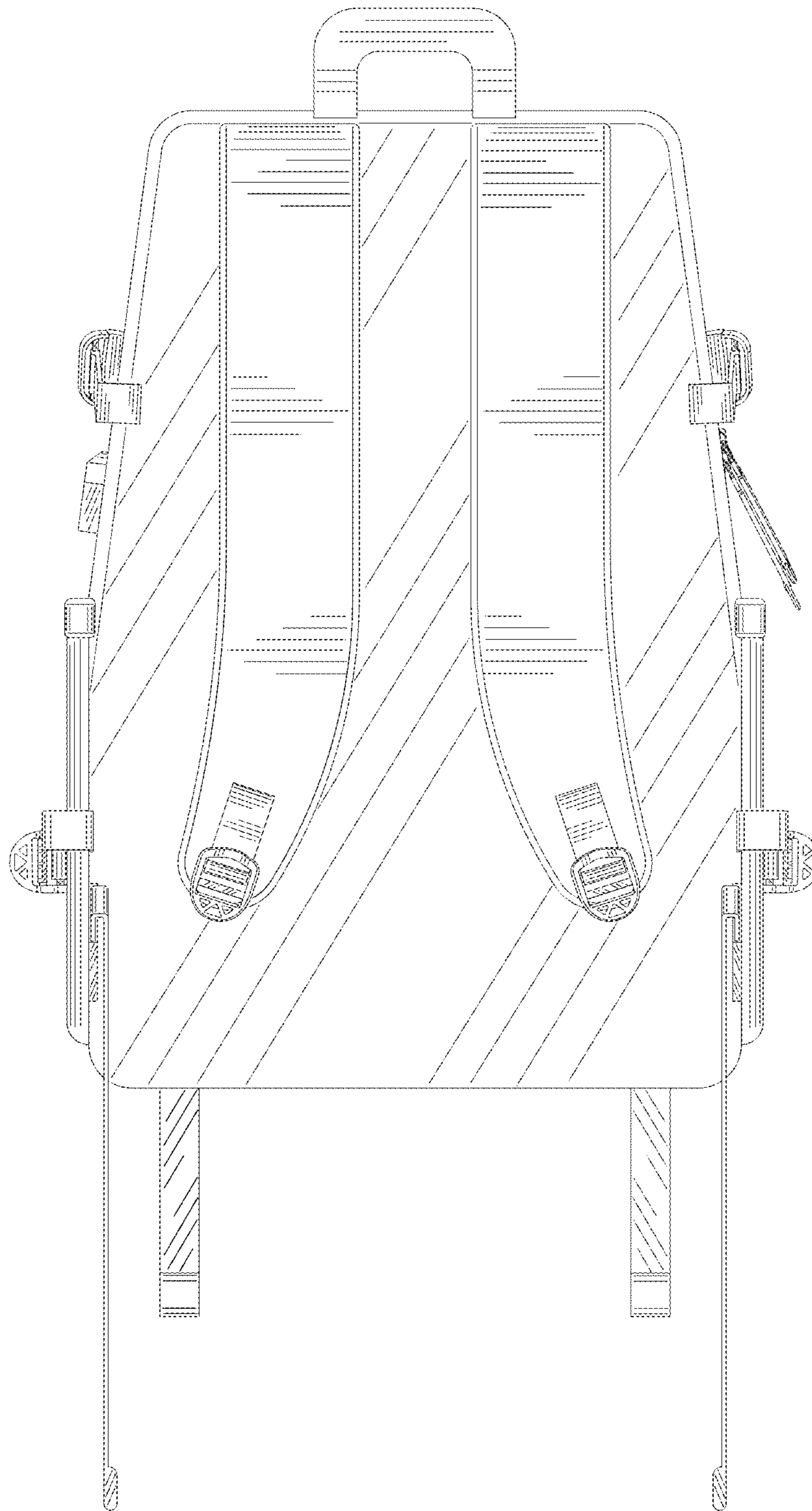


FIG. 4

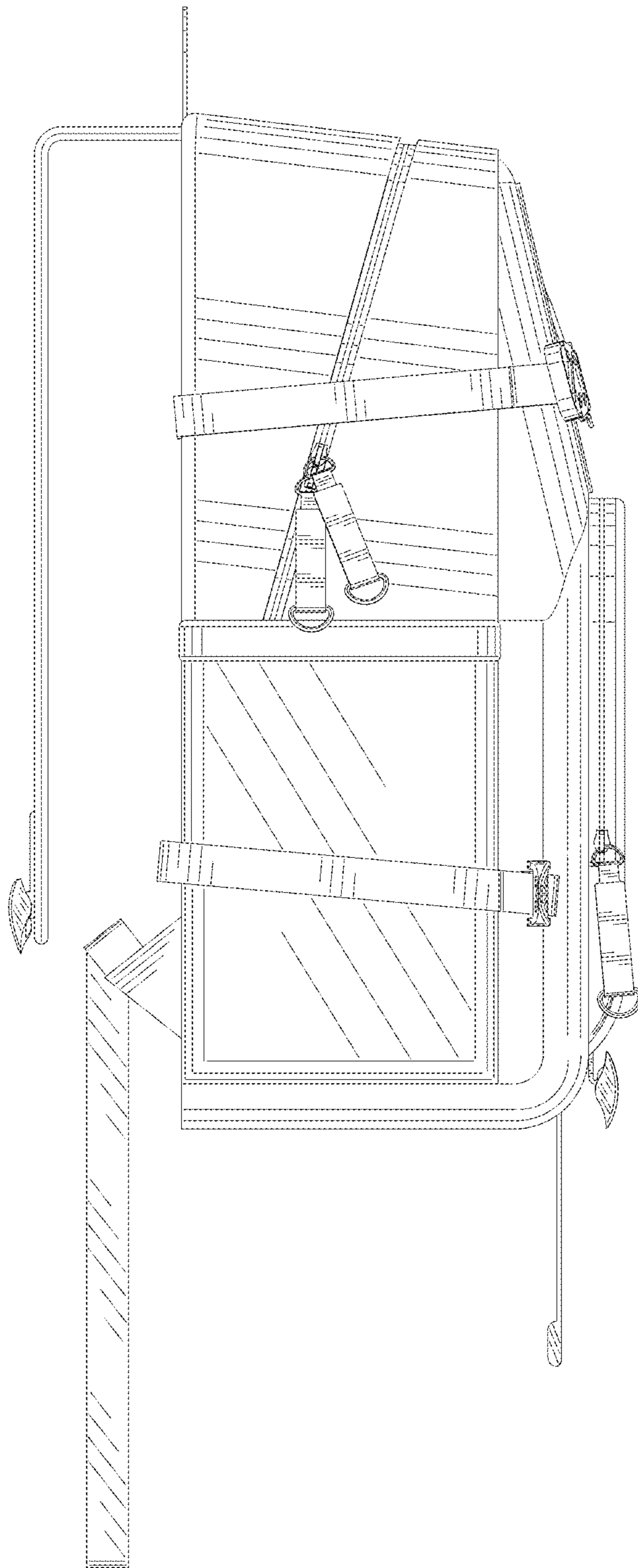


FIG. 5

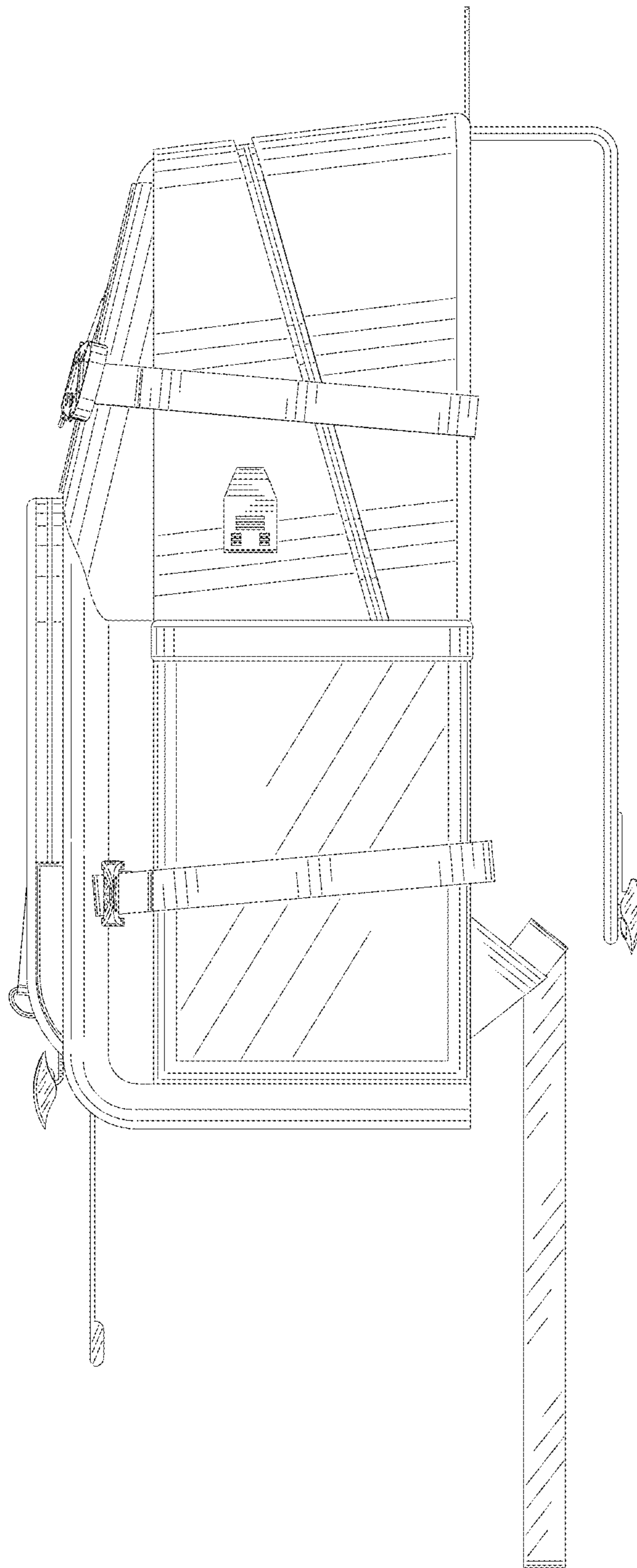


FIG. 6

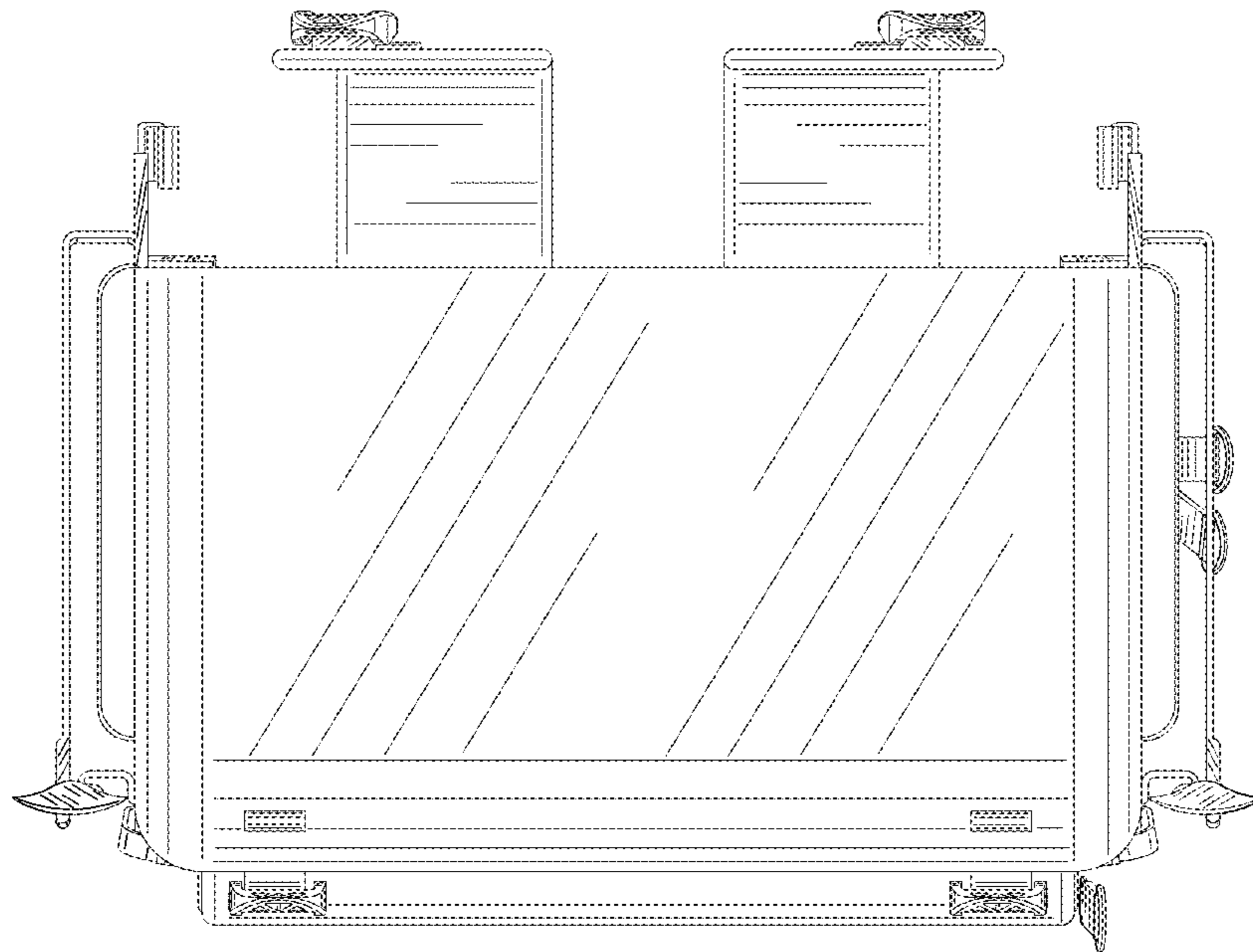


FIG. 7

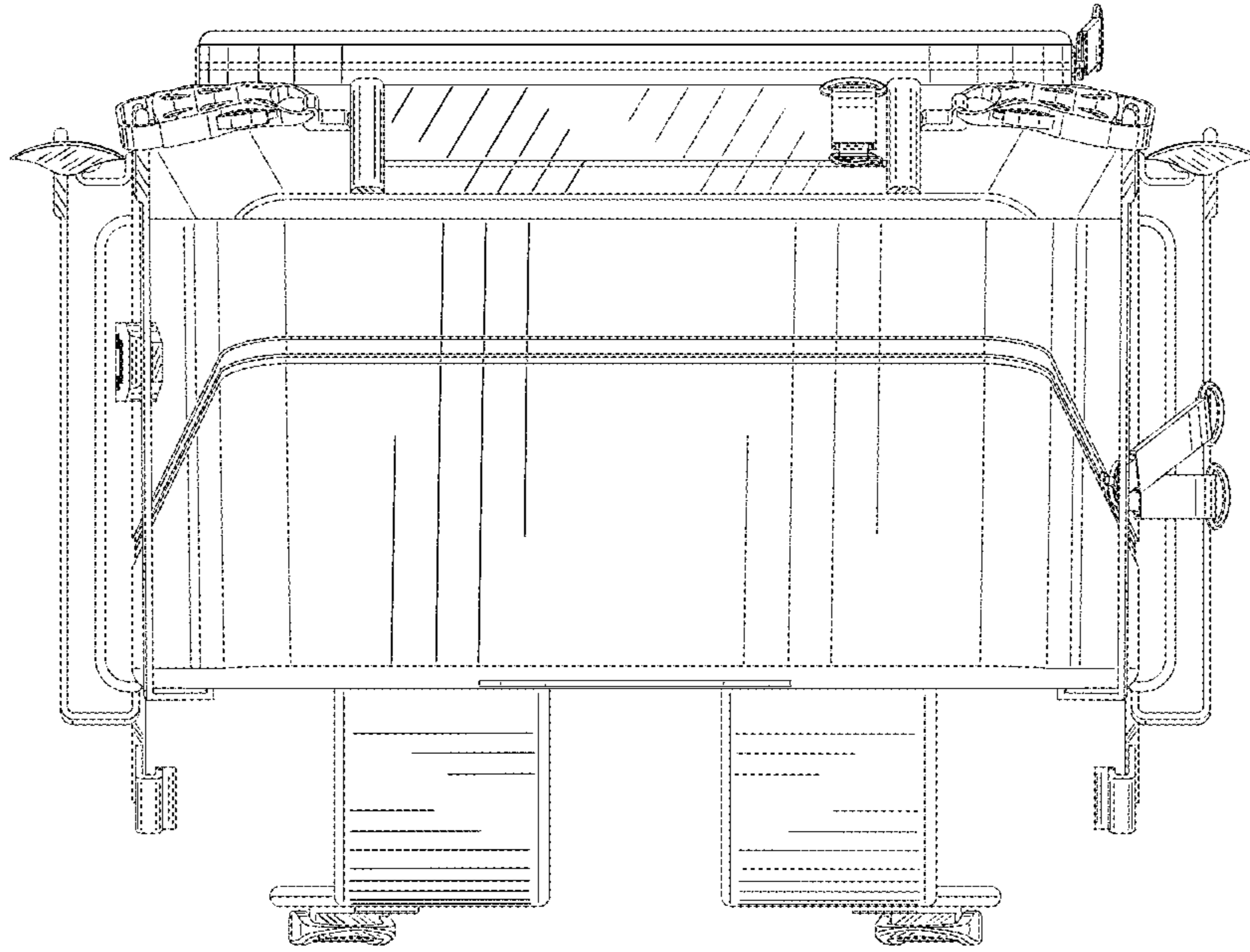


FIG. 8