



US00D984119S

(12) **United States Design Patent**
De Abreu

(10) **Patent No.:** **US D984,119 S**

(45) **Date of Patent:** **** Apr. 25, 2023**

(54) **TACTICAL BACKPACK**

(71) Applicant: **Jose De Abreu**, Los Cristianos (ES)

(72) Inventor: **Jose De Abreu**, Los Cristianos (ES)

(**) Term: **15 Years**

(21) Appl. No.: **29/733,031**

(22) Filed: **Apr. 29, 2020**

(51) **LOC (14) Cl.** **03-01**

(52) **U.S. Cl.**
USPC **D3/217**

(58) **Field of Classification Search**
USPC D3/216, 217, 226, 233, 273, 287, 327
CPC A45F 3/04; A45F 4/02; A45F 3/02; A45F
2003/003; A45F 3/047; A45F 3/14; A45F
3/08

See application file for complete search history.

(56) **References Cited**

U.S. PATENT DOCUMENTS

D427,768 S * 7/2000 Bogert D3/279
D456,601 S * 5/2002 Kegels D3/217
D887,136 S * 6/2020 Tan D3/260

D919,962 S * 5/2021 Shi D3/217
D944,515 S * 3/2022 Ji D3/217
2014/0151424 A1* 6/2014 Hexels A45F 3/047
224/637

* cited by examiner

Primary Examiner — Jennifer L Watkins

(74) *Attorney, Agent, or Firm* — Dunlap Bennett & Ludwig, PLLC

(57) **CLAIM**

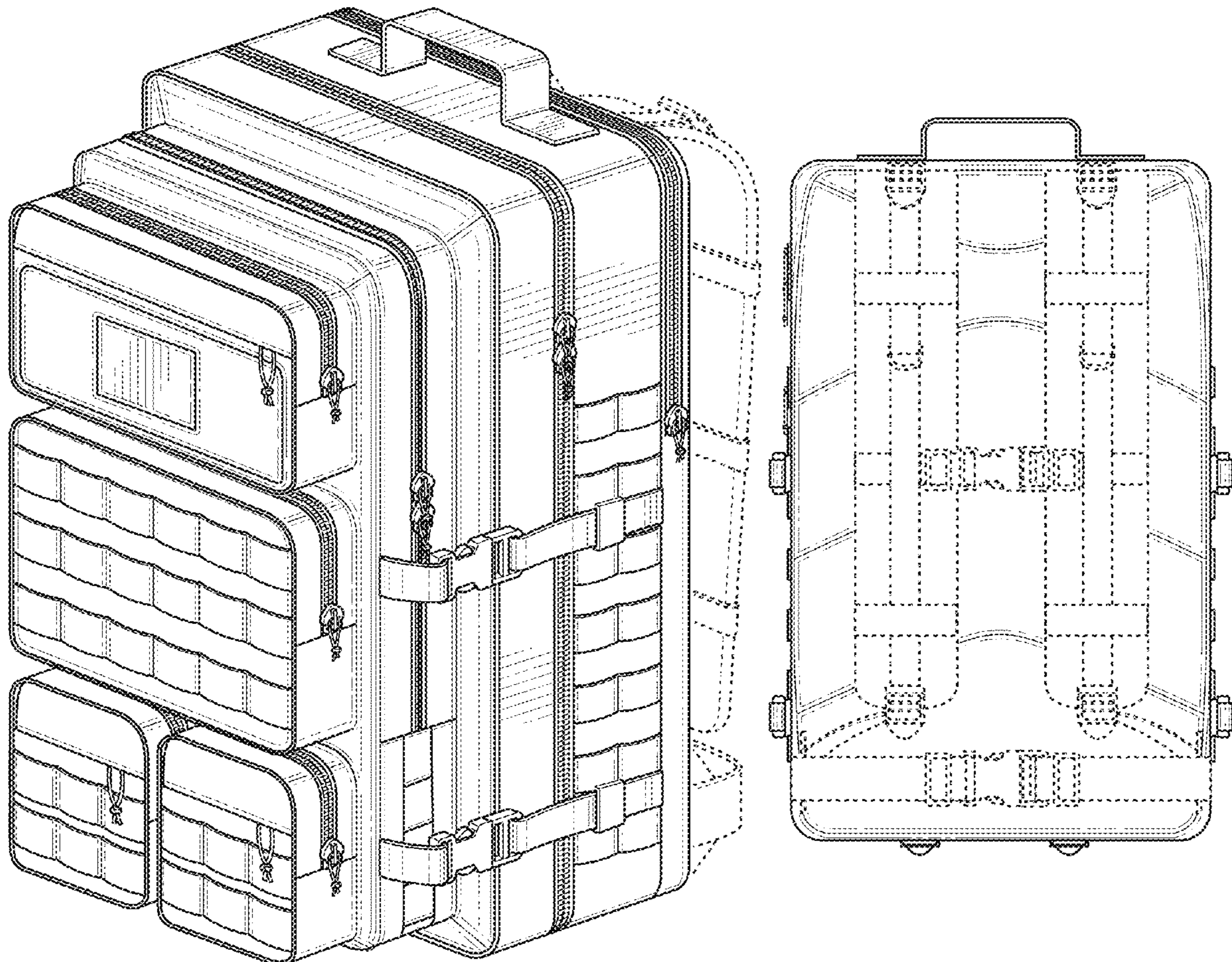
The ornamental design for a tactical backpack, as shown and described.

DESCRIPTION

FIG. 1 is a perspective view of the tactical backpack showing my new design;
FIG. 2 is a front elevation view thereof;
FIG. 3 is a rear elevation view thereof;
FIG. 4 is a left side elevation view thereof;
FIG. 5 is a right side elevation view thereof;
FIG. 6 is a top plan view thereof; and,
FIG. 7 is a bottom plan view thereof.

The broken lines shown in the drawings illustrate portions of the tactical backpack that form no part of the claimed design.

1 Claim, 4 Drawing Sheets



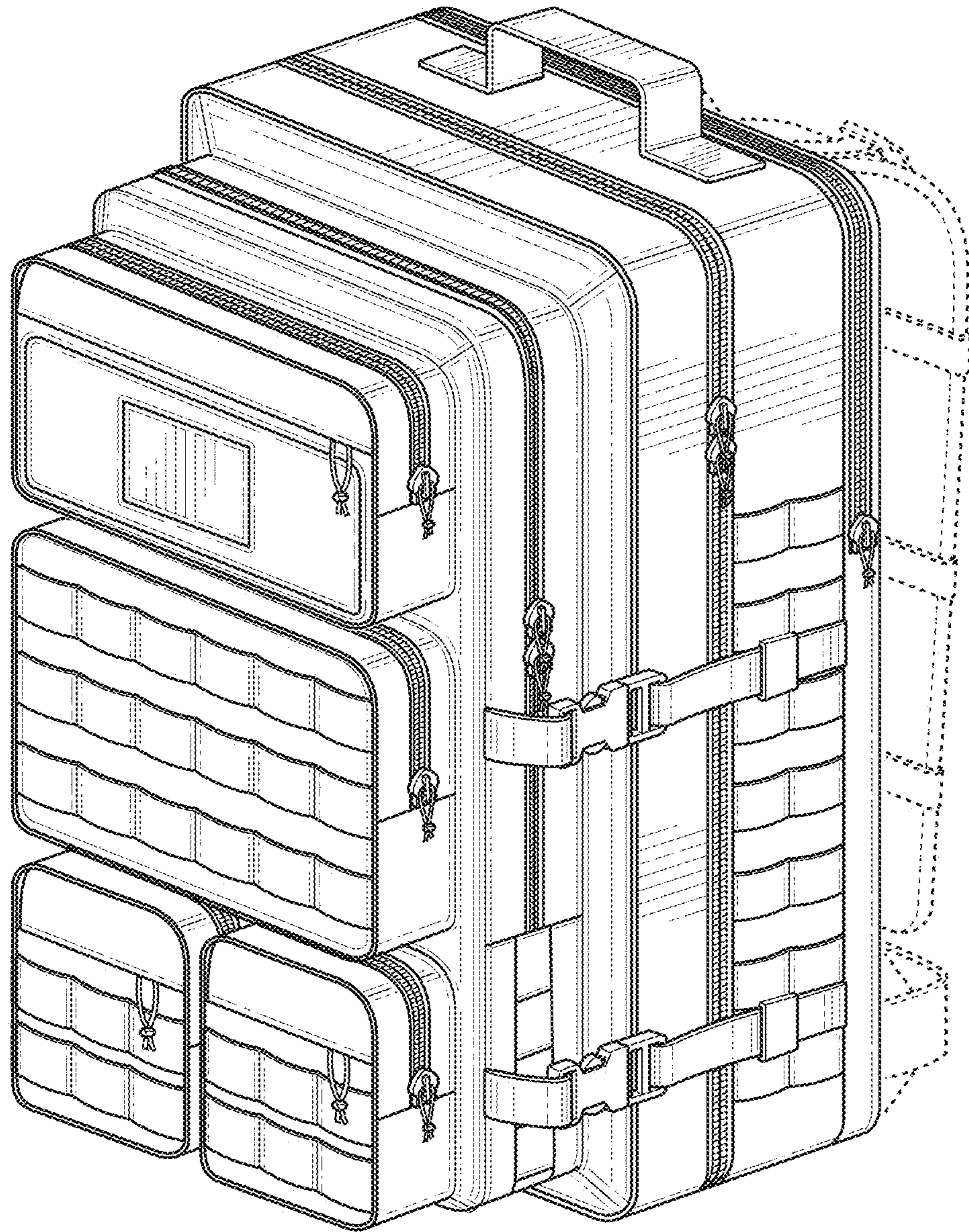


FIG. 1

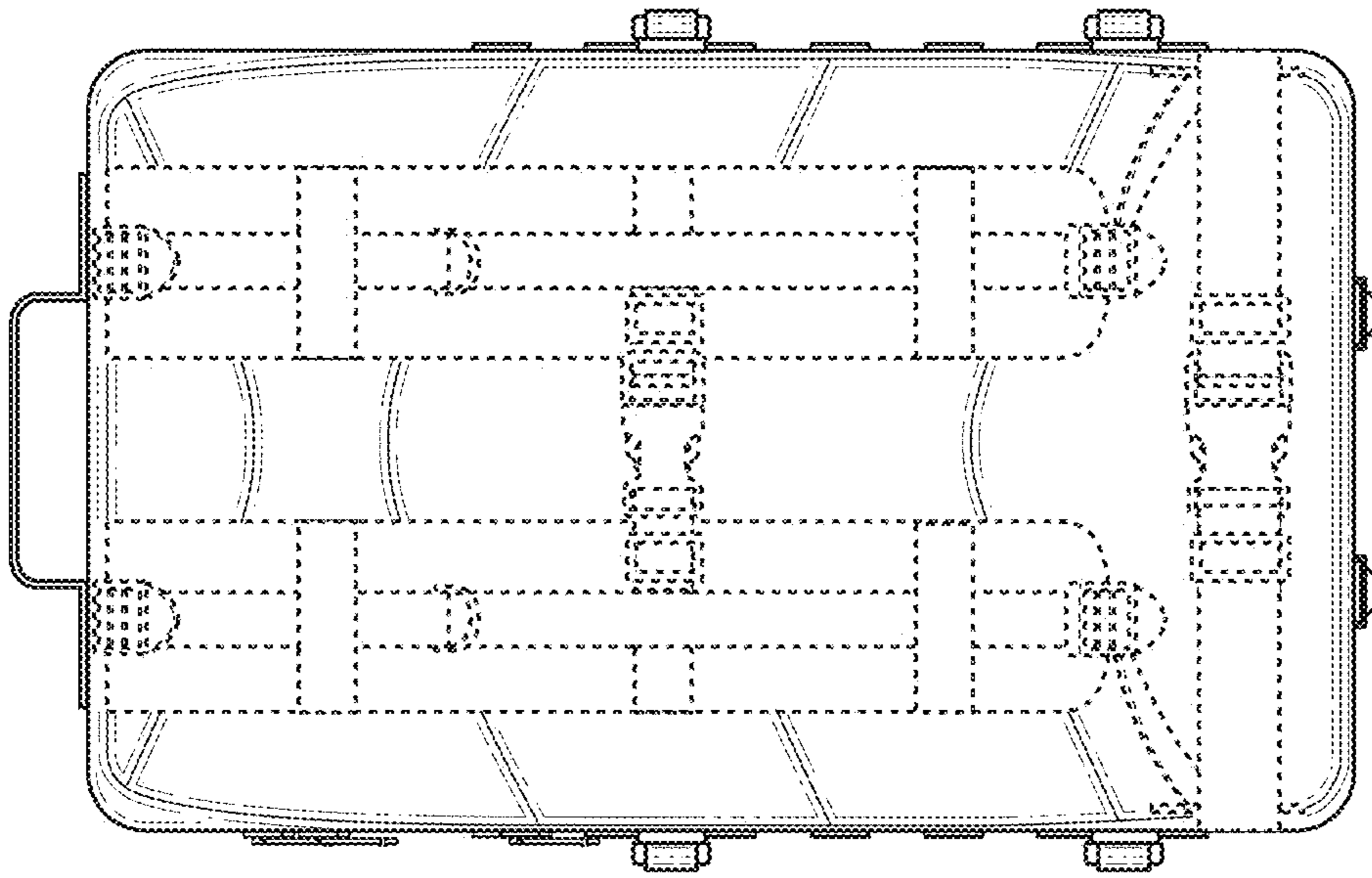


FIG. 3

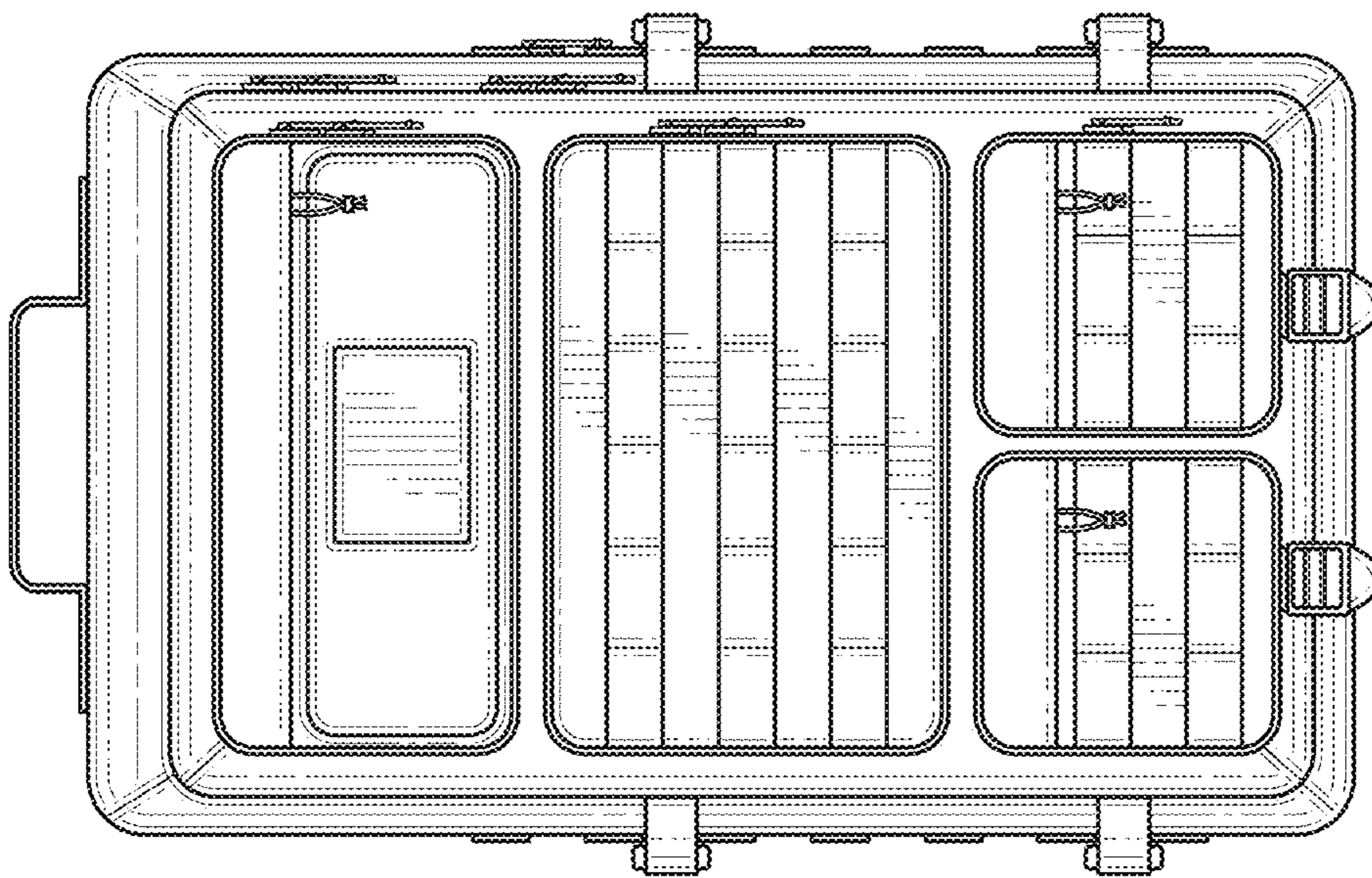


FIG. 2

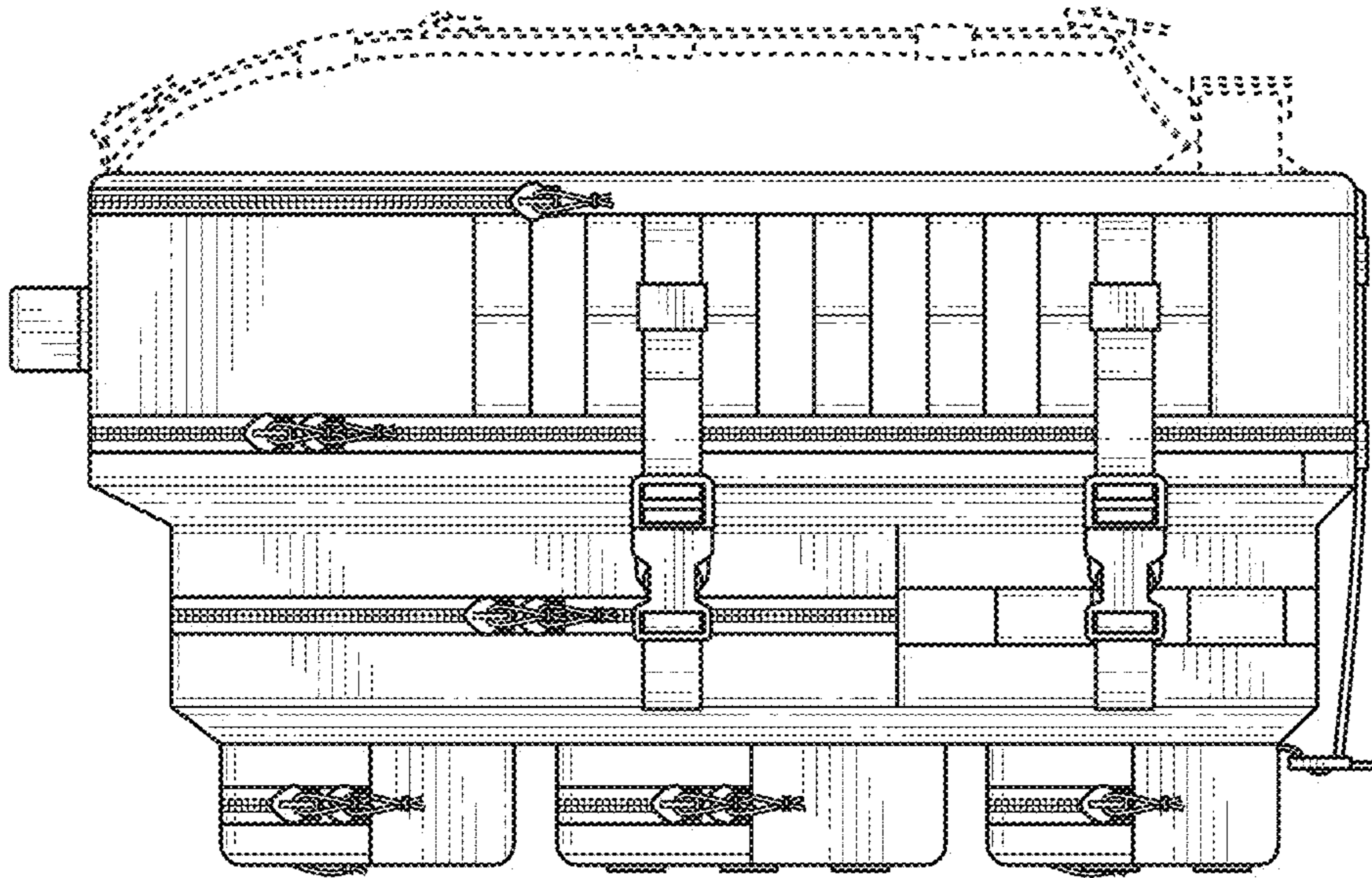


FIG. 5

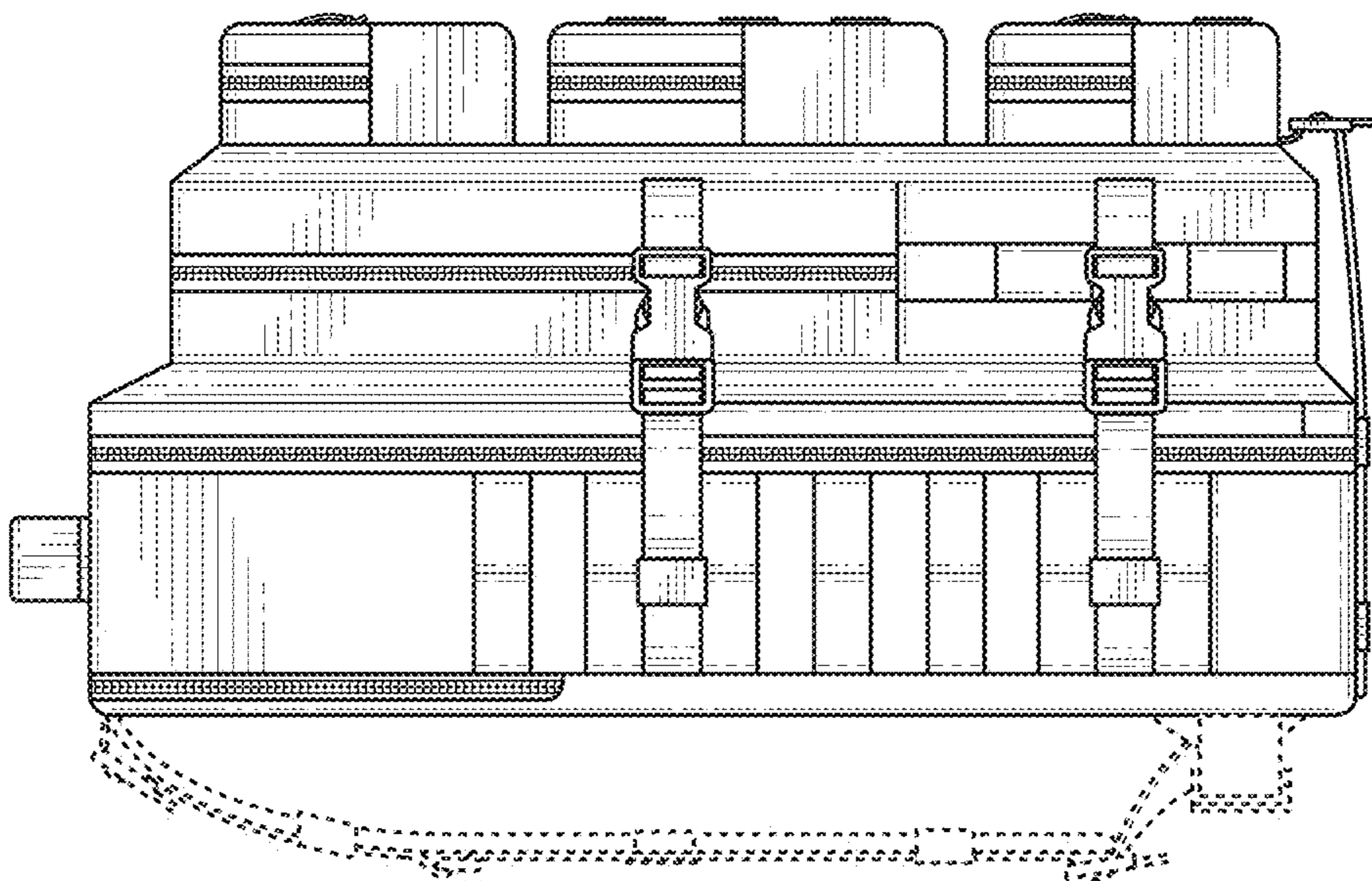


FIG. 4

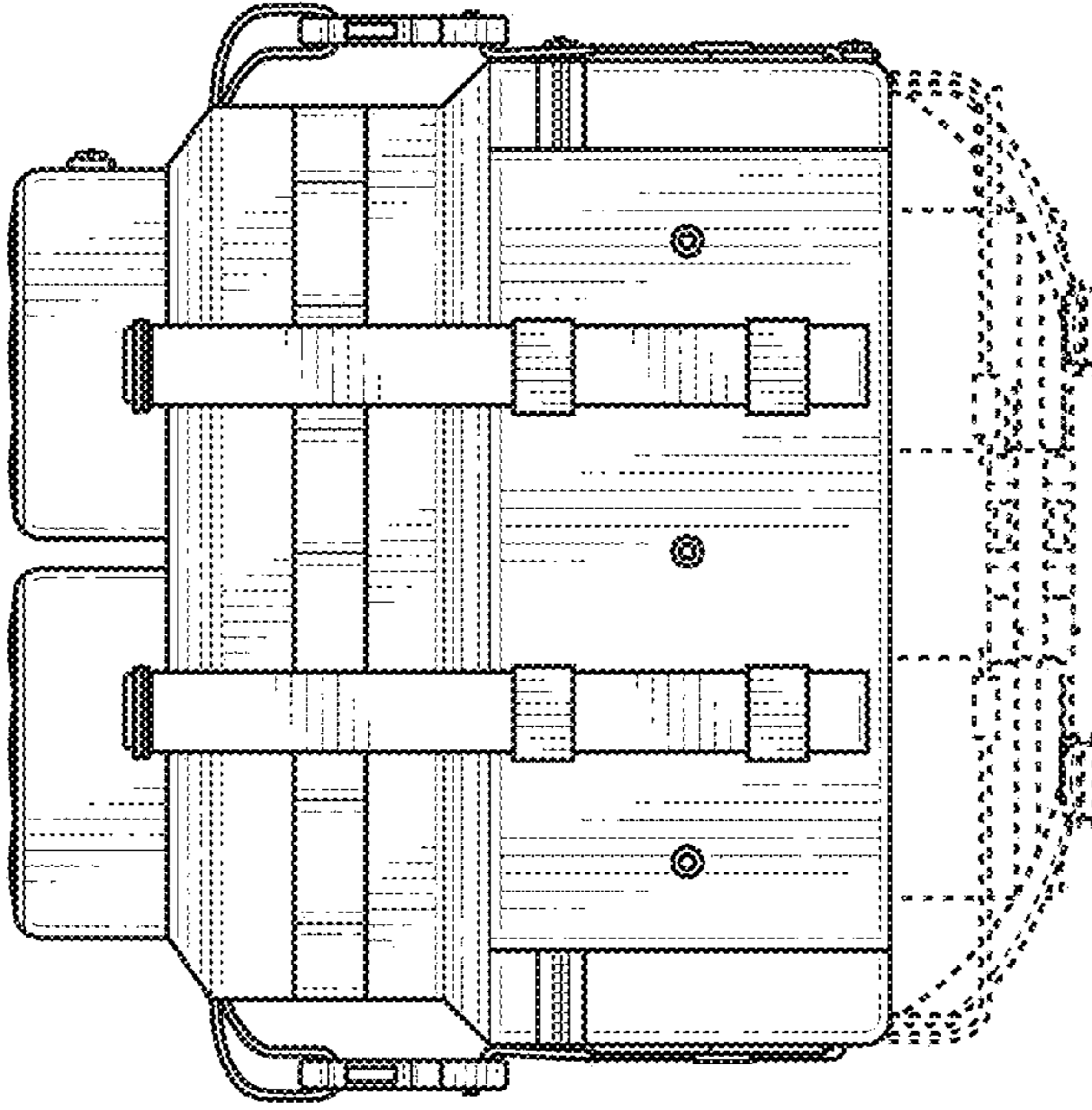


FIG. 6

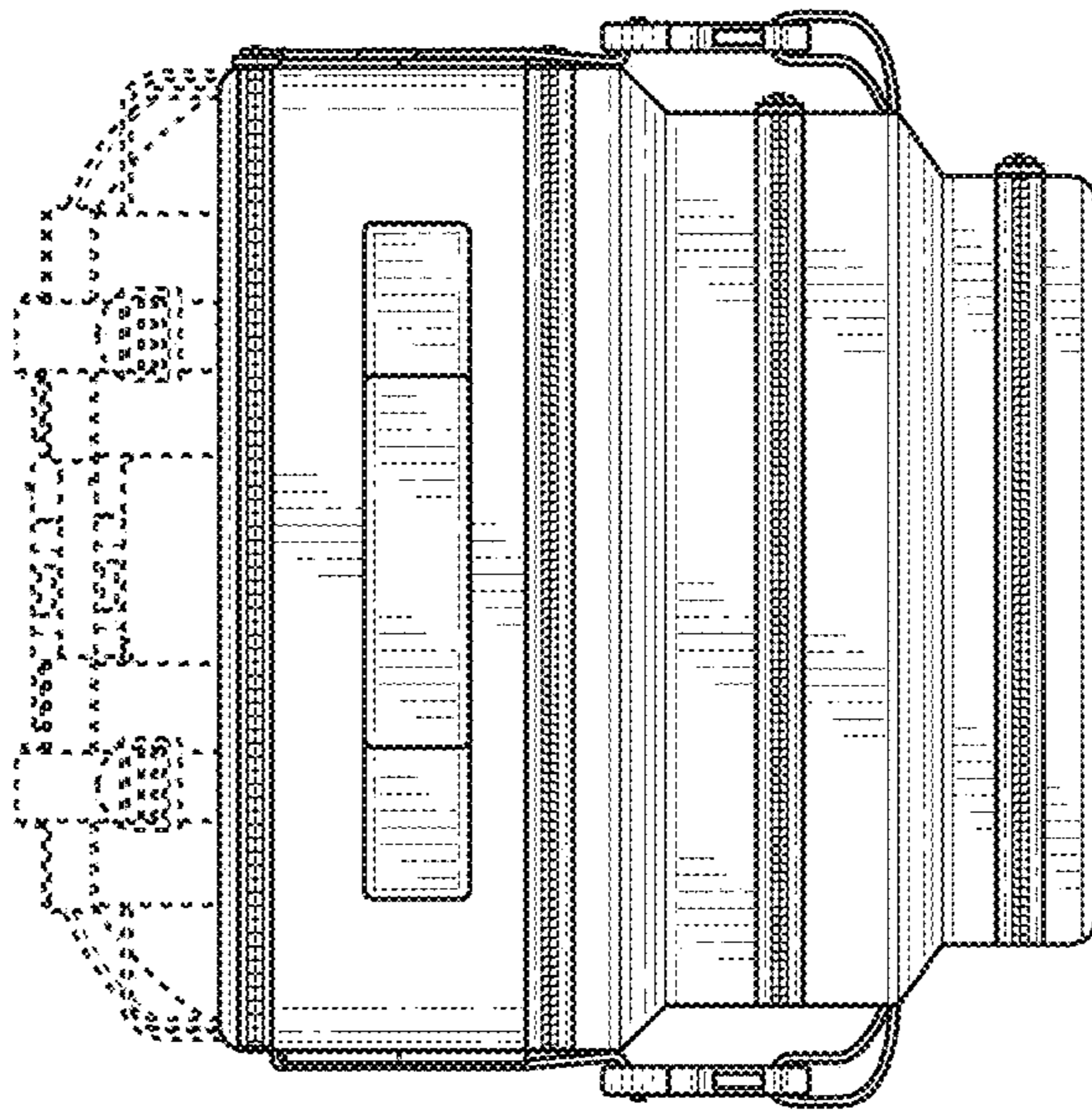


FIG. 7