



US00D984118S

(12) **United States Design Patent**  
**Fan**

(10) **Patent No.:** **US D984,118 S**

(45) **Date of Patent:** **\*\* \*Apr. 25, 2023**

(54) **INFANT CARRIER**

**FOREIGN PATENT DOCUMENTS**

(71) Applicant: **Wonderland Switzerland AG**,  
Steinhausen (CH)

KR 300993837.0000 \* 2/2019

(72) Inventor: **Meifeng Fan**, Dongguan (CN)

**OTHER PUBLICATIONS**

(73) Assignee: **Wonderland Switzerland AG**,  
Steinhausen (CH)

Amazon.ca, site visited Aug. 31, 2022, Lillebaby Six Position Baby Carrier, First available Mar. 5, 2015, <https://www.amazon.ca/SIX-Position-Ergonomic-Child-Carrier-LILLEbaby/dp/B00R6XEQR2> (Year: 2015).\*

(\* ) Notice: This patent is subject to a terminal disclaimer.

Youtube.com, Site visited Aug. 30, 2022, "Which Baby Carrier Is Right For You?" published Mar. 19, 2018 by Ergobaby features the 360 carrier and the Ergobaby Adapt Carrier: <https://www.youtube.com/watch?v=61e0L4N3jvY> (Year: 2018).\*

(\*\*) Term: **15 Years**

Amazon.ca, site visited Aug. 30, 2022, Ergobaby Omni 360 All Carry Positions Baby Carrier, first available Apr. 7, 2018, <https://www.amazon.ca/Ergobaby-Ergonomic-Carrier-Positions-Newborn/dp/B0743L6R1T> (Year: 2018).\*

(21) Appl. No.: **29/779,009**

Amazon.ca, site visited Aug. 31, 2022, BabyBjorn Baby Carrier Mini, First available Aug. 15, 2019, <https://www.amazon.ca/BABYBJORN-Baby-Carrier-Jersey-Light/dp/B07PB3FG1X> (Year: 2019).\*

(22) Filed: **Apr. 15, 2021**

(30) **Foreign Application Priority Data**

Oct. 16, 2020 (CN) ..... 202030616463.7

(51) **LOC (14) Cl.** ..... **03-05**

\* cited by examiner

(52) **U.S. Cl.**  
USPC ..... **D3/214; D3/213**

*Primary Examiner* — Brett Miller

(58) **Field of Classification Search**  
USPC ..... D3/213, 214, 215, 216; D7/719; D6/333  
CPC ..... A47D 13/025; A47D 13/02; A61G 1/00  
See application file for complete search history.

*Assistant Examiner* — Jessica M Gebhart

(74) *Attorney, Agent, or Firm* — JCIP Global Inc.

(56) **References Cited**

**U.S. PATENT DOCUMENTS**

- D455,546 S \* 4/2002 Norman ..... D3/214
- D509,056 S \* 9/2005 Shiraishi ..... D3/213
- 6,988,644 B1 \* 1/2006 Asherbranner ..... A47D 13/025
- 224/160
- D567,499 S \* 4/2008 Elmberg ..... D3/214
- D611,699 S \* 3/2010 Lundh ..... D3/214
- D632,887 S \* 2/2011 Jones ..... D3/214
- 9,713,391 B2 \* 7/2017 Telford ..... A47D 13/025
- 2017/0119173 A1 \* 5/2017 Telford ..... A47D 13/025
- 2018/0116426 A1 \* 5/2018 Telford ..... A47D 13/025
- 2019/0116990 A1 \* 4/2019 Pond ..... A47D 13/025

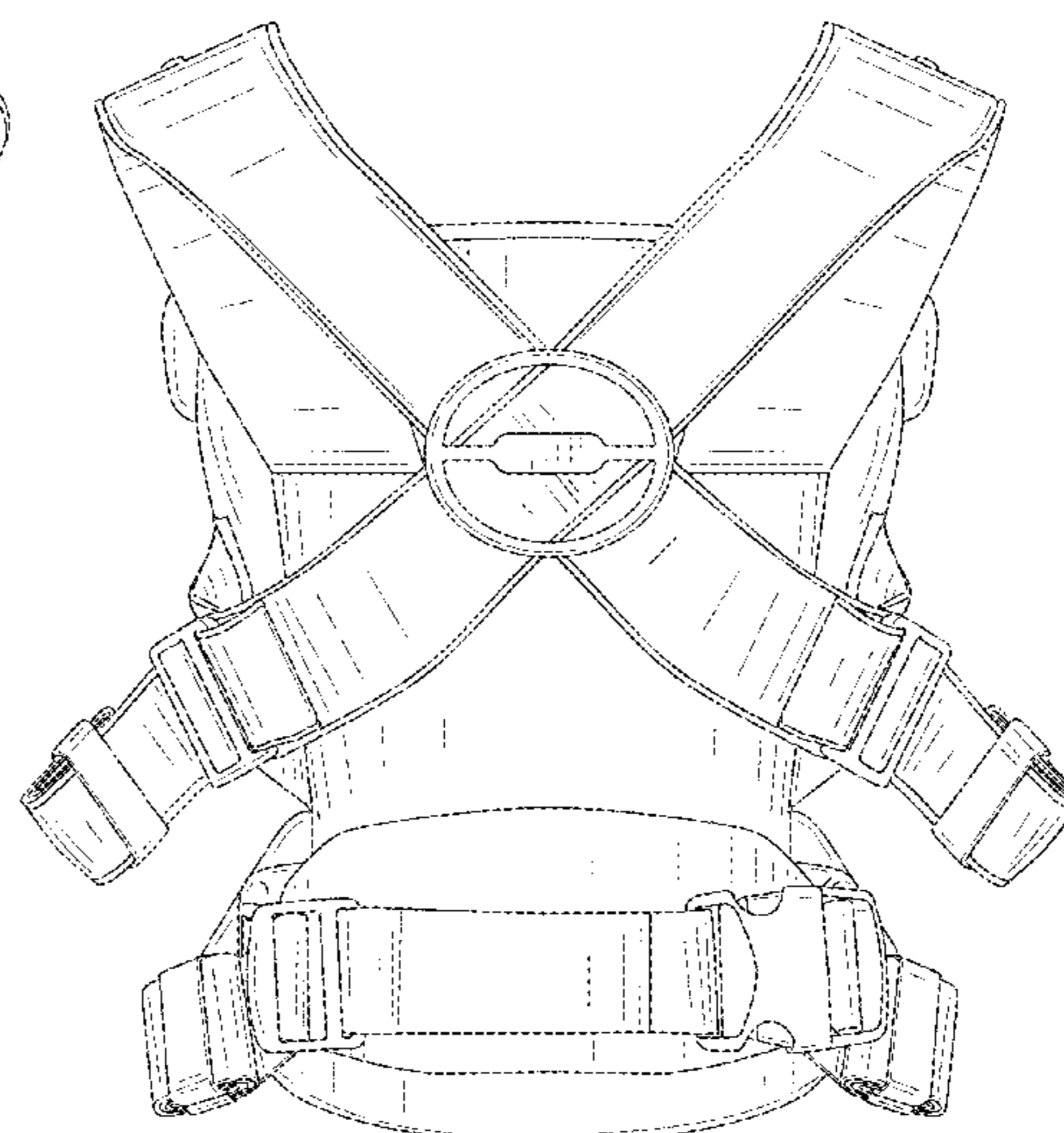
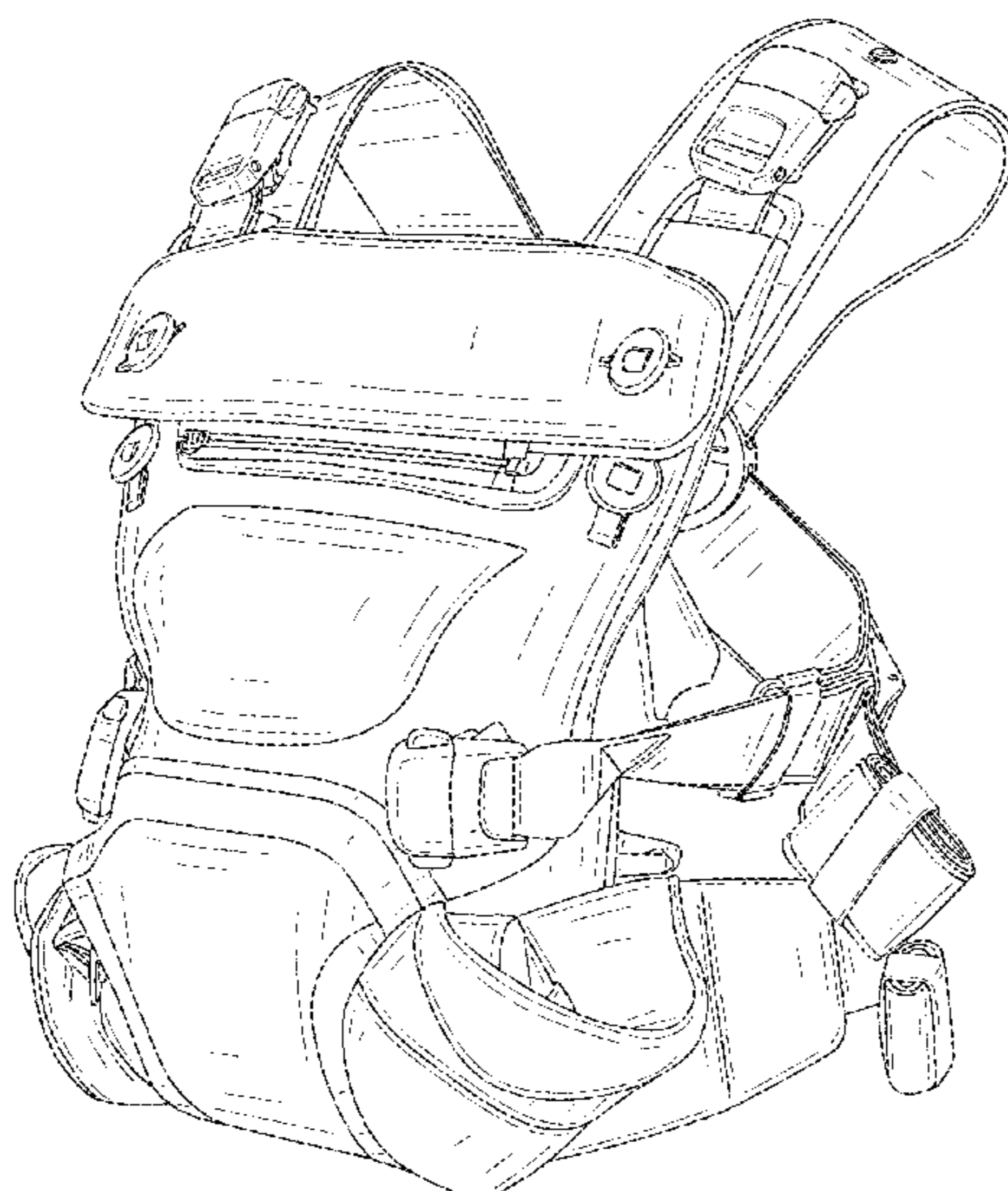
(57) **CLAIM**

The ornamental design for an infant carrier, as shown.

**DESCRIPTION**

FIG. 1 is a perspective view of an infant carrier showing my new design;  
FIG. 2 is a front view thereof;  
FIG. 3 is a rear view thereof;  
FIG. 4 is a right side view thereof;  
FIG. 5 is a left side view thereof;  
FIG. 6 is a top view thereof; and,  
FIG. 7 is a bottom view thereof.

**1 Claim, 7 Drawing Sheets**



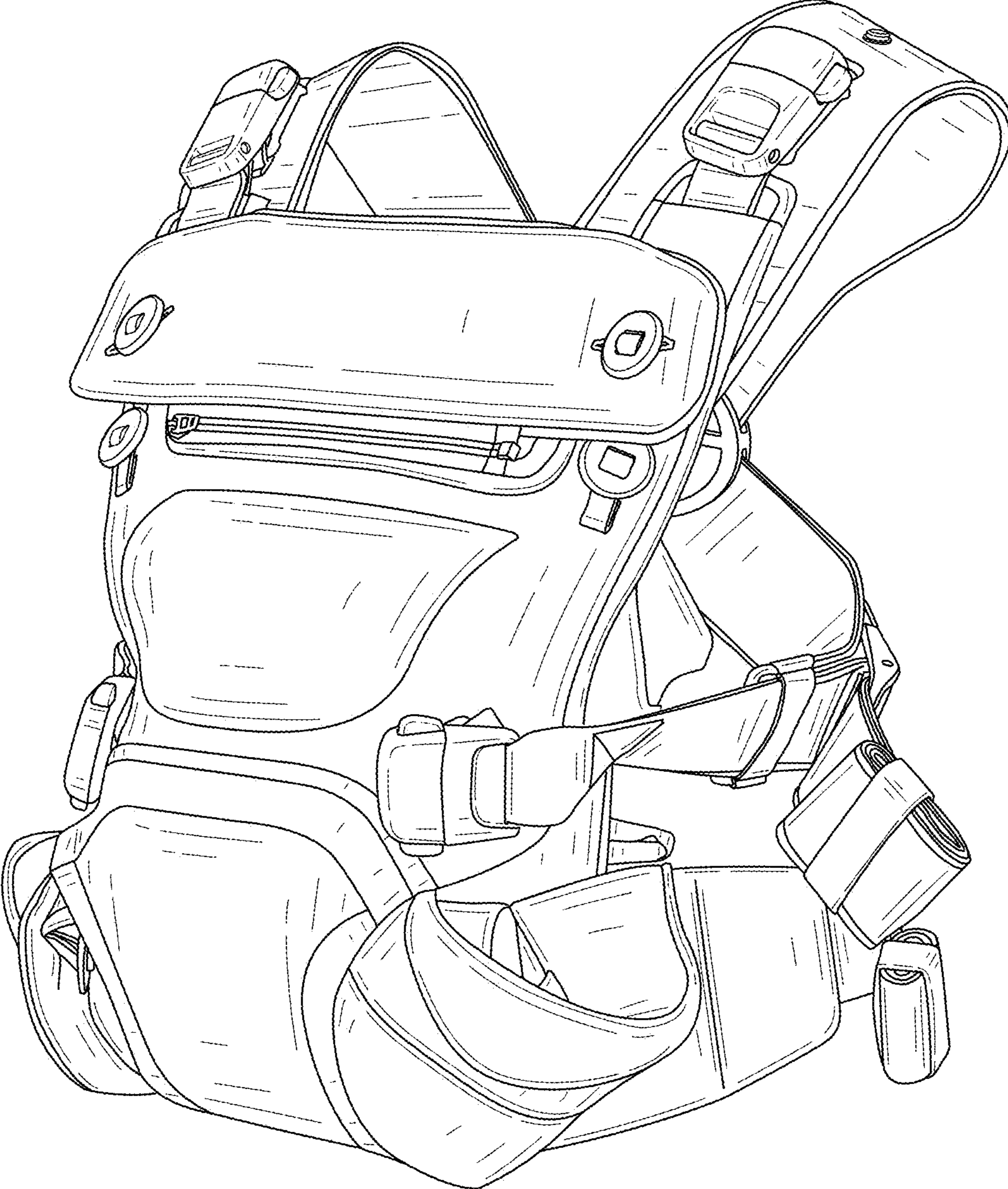


FIG. 1



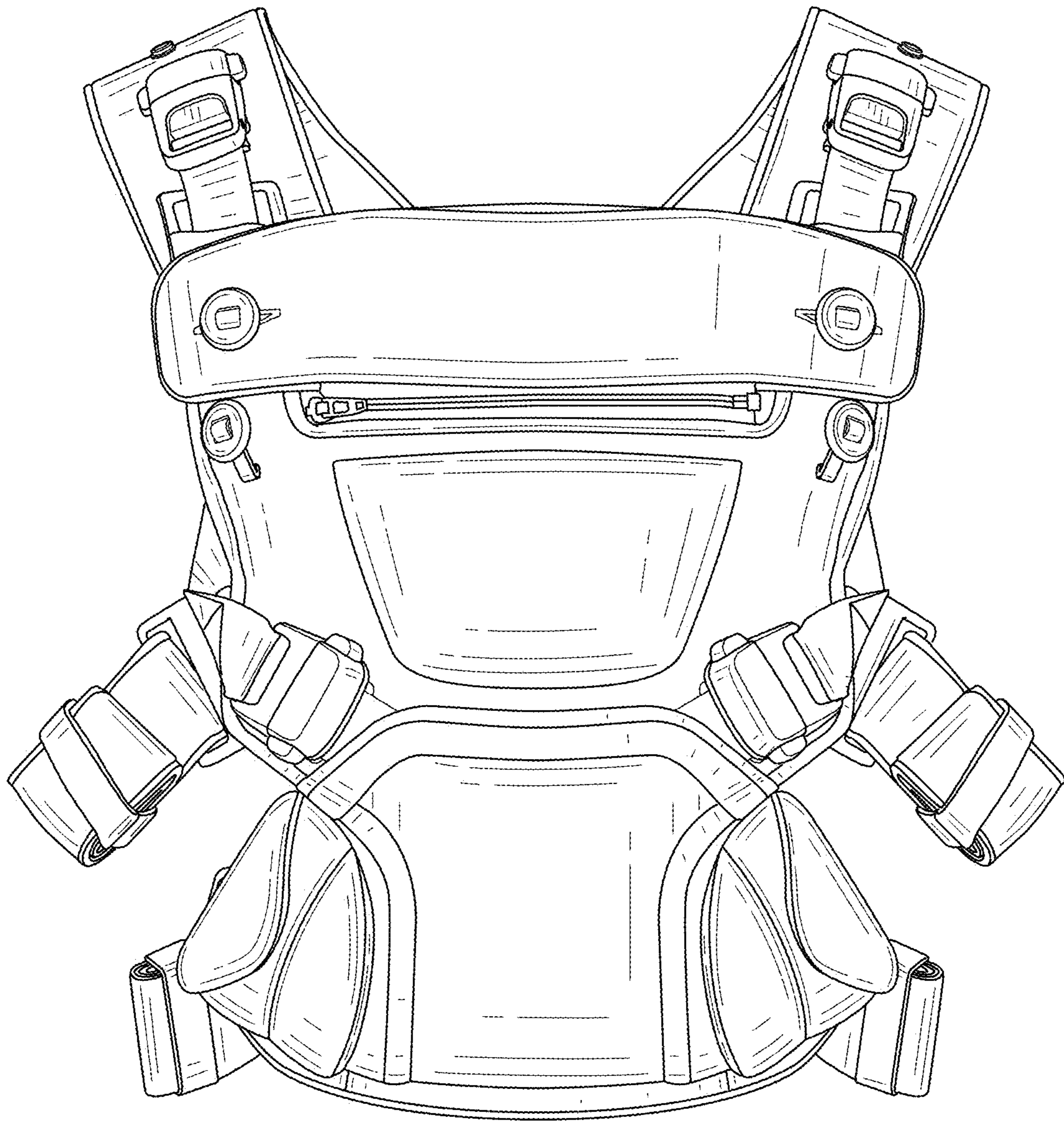


FIG. 2

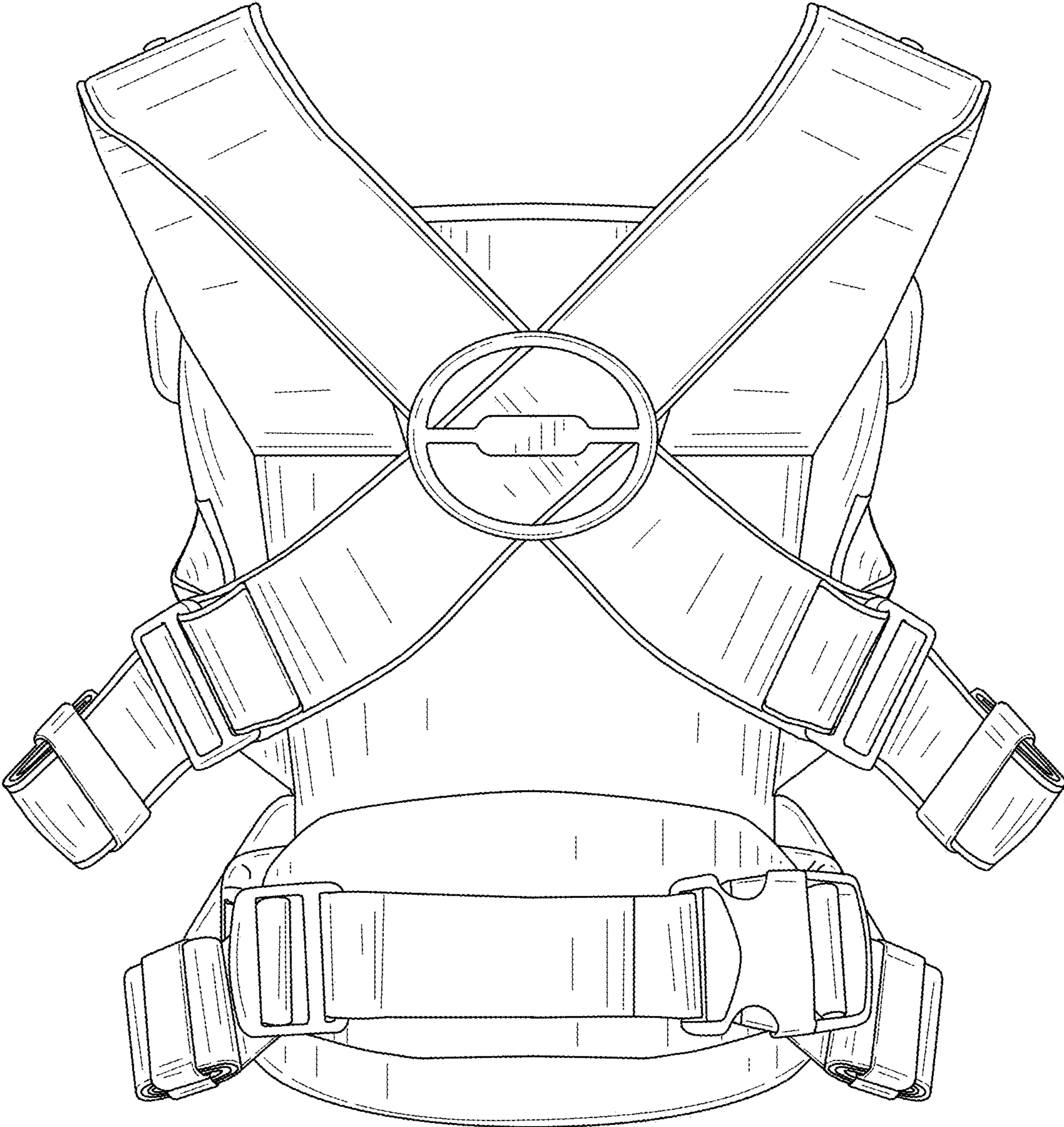


FIG. 3

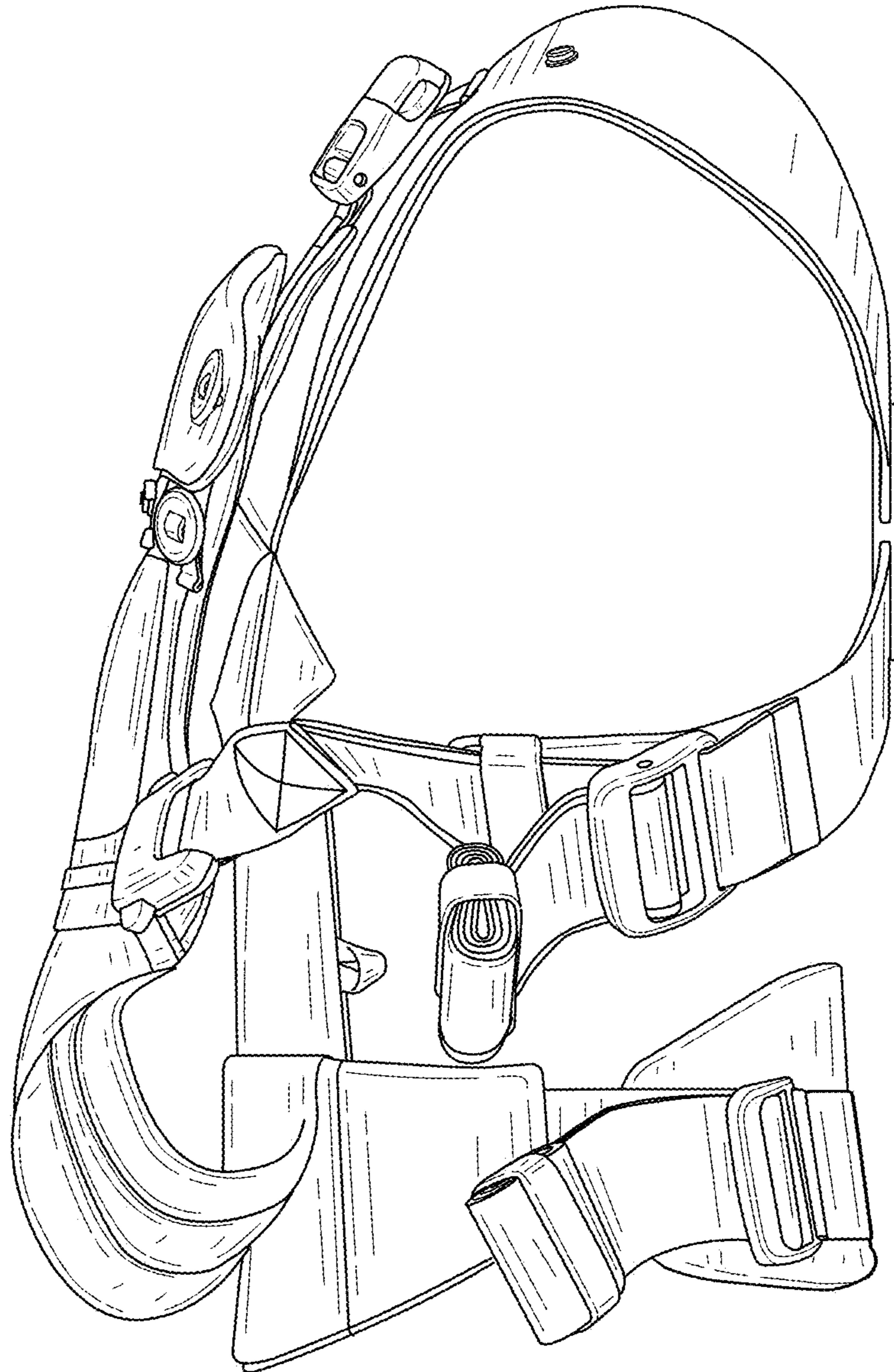


FIG. 4



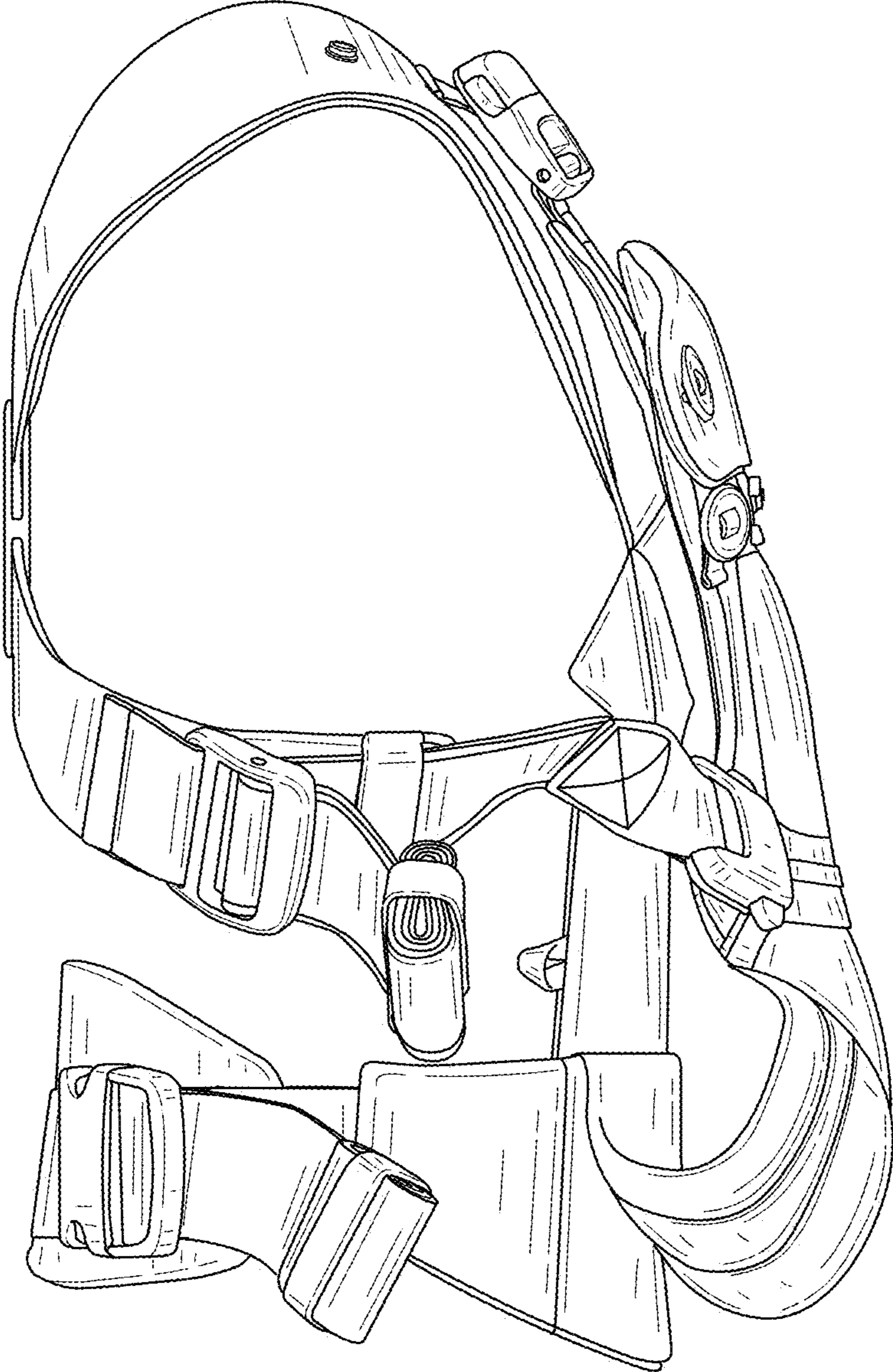


FIG. 5

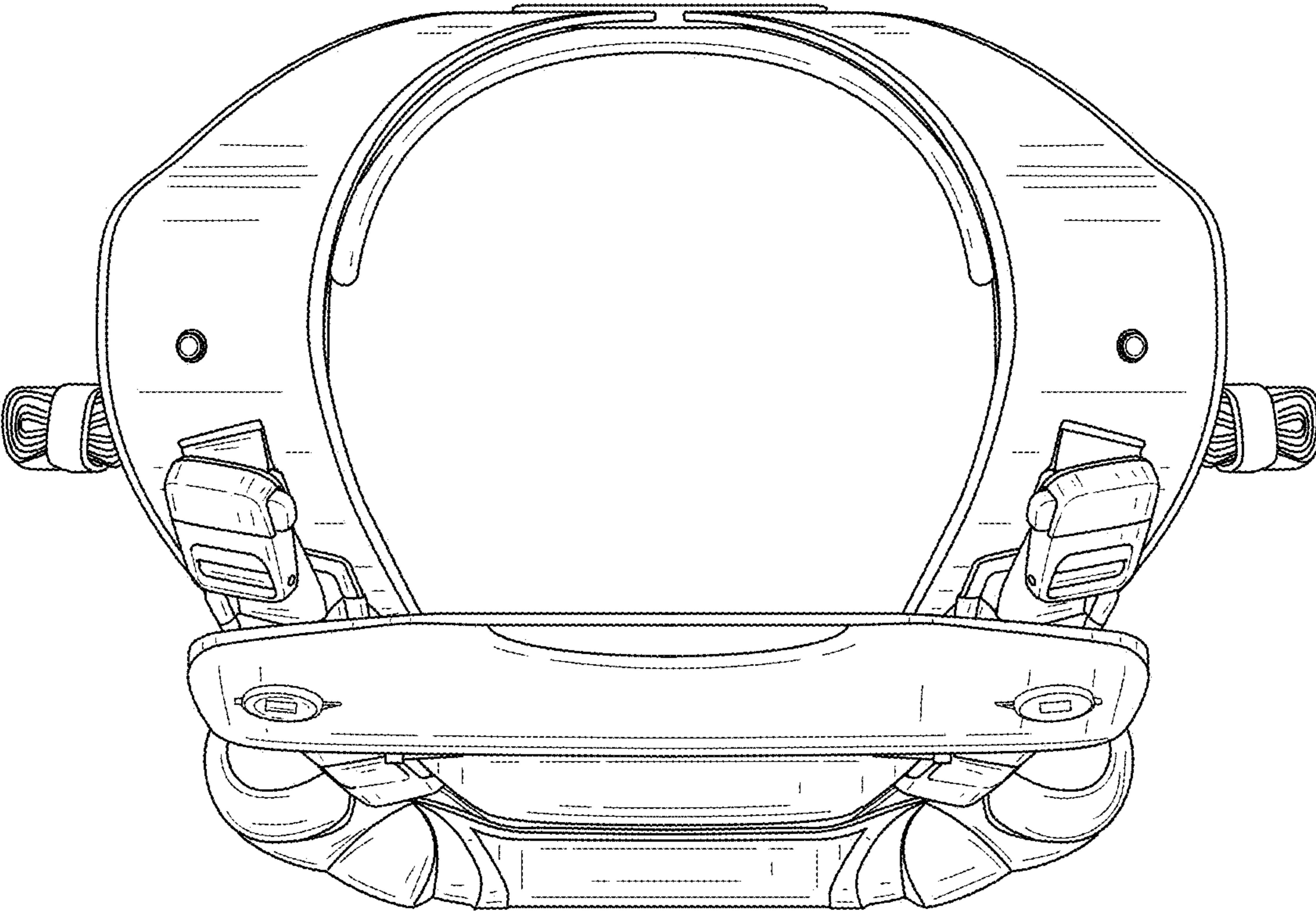


FIG. 6

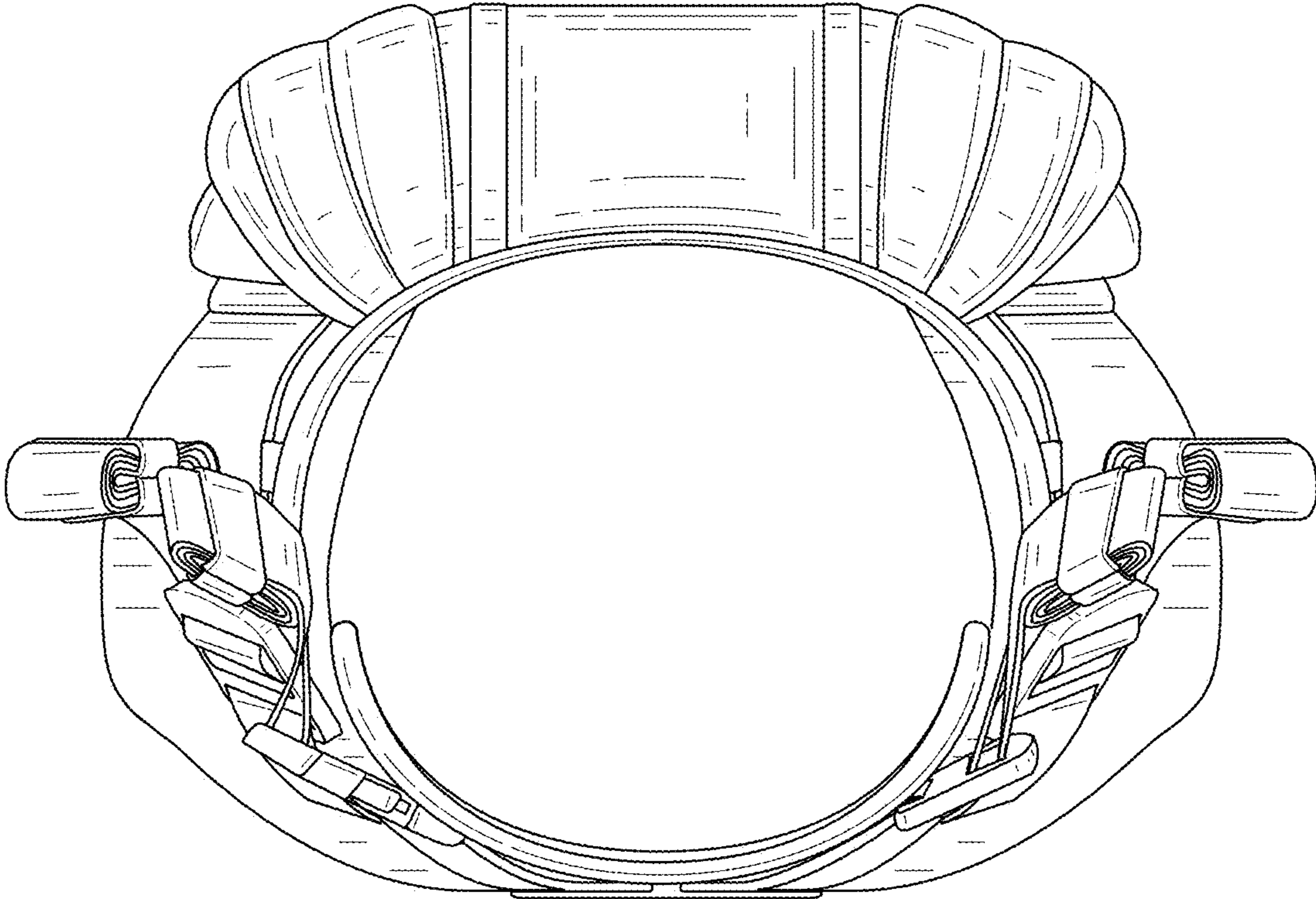


FIG. 7