



US00D984116S

(12) **United States Design Patent** (10) **Patent No.:** **US D984,116 S**  
**Lin** (45) **Date of Patent:** **\*\* Apr. 25, 2023**

(54) **HAND CRANK OF UMBRELLA**

FOREIGN PATENT DOCUMENTS

(71) Applicant: **Huijun Lin**, Zhejiang (CN)

BX 33260-002 \* 11/2001  
CN 306416878 S 3/2021

(72) Inventor: **Huijun Lin**, Zhejiang (CN)

OTHER PUBLICATIONS

(\*\*) Term: **15 Years**

(21) Appl. No.: **29/805,067**

(22) Filed: **Aug. 24, 2021**

(51) **LOC (14) Cl.** ..... **03-03**

(52) **U.S. Cl.**  
USPC ..... **D3/10; D3/12**

(58) **Field of Classification Search**  
USPC ..... D3/1-17; D25/56; D21/837, 838, 839;  
D6/567; D8/395, 309

CPC ..... A47G 9/062; A47B 96/022; A01M 31/02;  
E04F 10/00; E04H 15/18; E04H 15/30;  
A45B 23/00; A45B 25/02

See application file for complete search history.

Costway.com, Site visited Jan. 23, 2023, 10 Foot Patio Outdoor Sunshade, Oldest review dated Aug. 6, 2015, <https://www.costway.com/10-feet-patio-outdoor-sunshade-hanging-umbrella-without-weight-base.html> (Year: 2015).\*

Youtube.com, Site visited Jan. 23, 2023, "Phi Villa 10' Offset Umbrella Unboxing and Review," published on Jun. 6, 2019 by Goshen Prepping, <https://www.youtube.com/watch?v=jNI3bAVFWoO> (Year: 2019).\*

Overstock.com, Site visited Jan. 23, 2023, Polyrends Solar Power Patio Umbrella, oldest review dated Apr. 7, 2021, <https://www.overstock.com/Home-Garden/10-Ft.-Solar-Power-Lighted-Patio-Umbrella-with-Base/33361817/product.html> (Year: 2021).\*

\* cited by examiner

*Primary Examiner* — Brett Miller

*Assistant Examiner* — Jessica M Gebhart

(74) *Attorney, Agent, or Firm* — JCIP Global Inc.

(56) **References Cited**

U.S. PATENT DOCUMENTS

- 4,674,522 A \* 6/1987 Ma ..... A45B 25/14  
135/20.3
- 4,697,606 A \* 10/1987 Ma ..... A45B 25/14  
135/909
- D434,215 S \* 11/2000 Lin ..... D3/6
- 7,487,787 B2 \* 2/2009 Tung ..... A45B 25/06  
248/219.2
- D602,686 S \* 10/2009 Patzak ..... D3/10
- D803,545 S \* 11/2017 Rothbucher ..... D3/12
- D949,549 S \* 4/2022 Wang ..... D3/10
- 2002/0104557 A1 \* 8/2002 Tung ..... A45B 23/00  
135/21
- 2010/0206346 A1 \* 8/2010 Tung ..... A45B 23/00  
135/20.1
- 2011/0030751 A1 \* 2/2011 Wu ..... A45B 25/22  
135/98
- 2017/0086543 A1 \* 3/2017 Xie ..... A45B 23/00

(57) **CLAIM**

The ornamental design for a hand crank of umbrella, as shown and described.

**DESCRIPTION**

FIG. 1 is a perspective view of a hand crank of umbrella showing my new design;

FIG. 2 is a front view thereof;

FIG. 3 is a rear view thereof;

FIG. 4 is a left side view thereof;

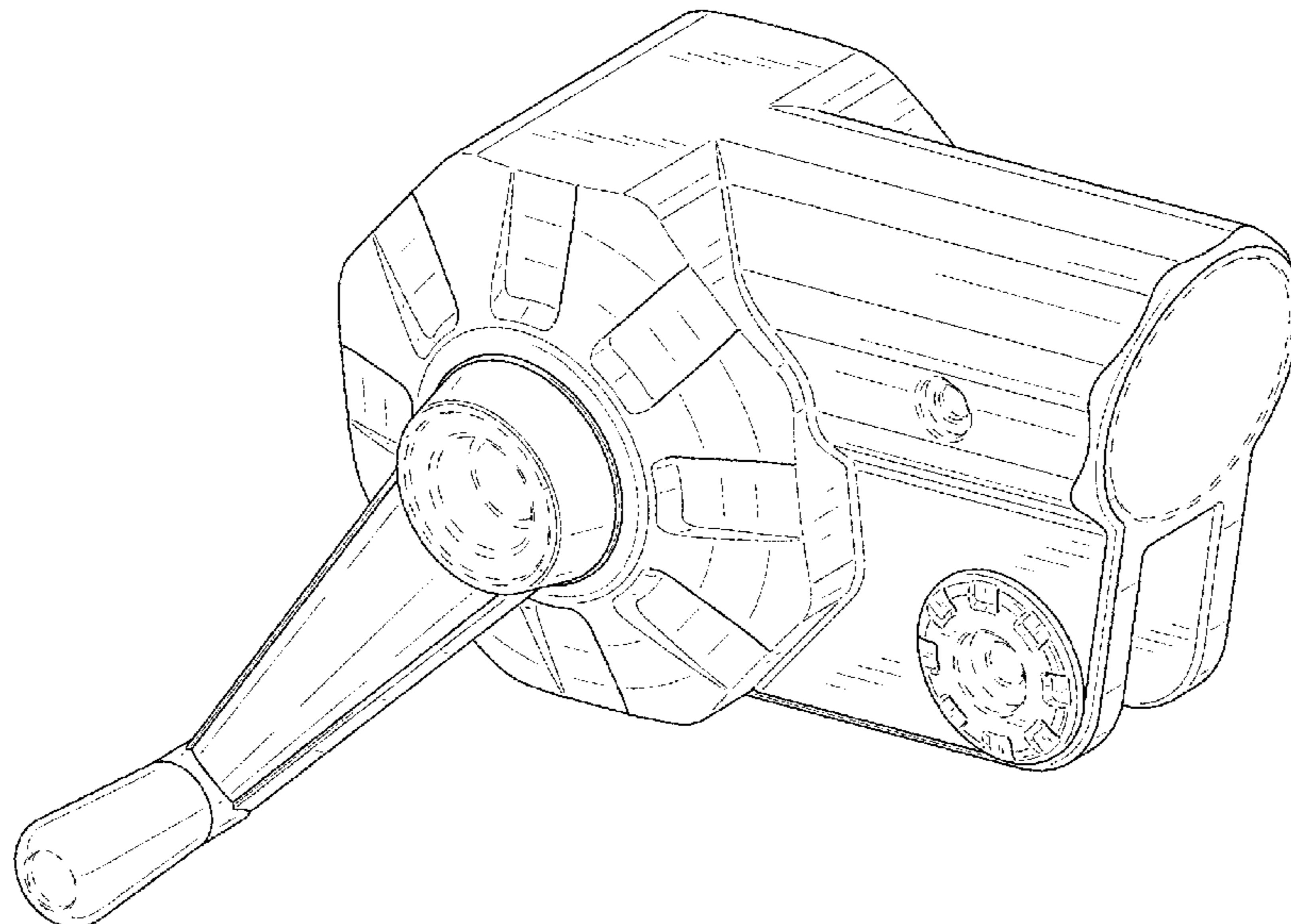
FIG. 5 is a right side view thereof;

FIG. 6 is a top view thereof; and,

FIG. 7 is a bottom view thereof.

The broken line showing of portions of the hand crank of umbrella in FIGS. 1-7 forms no part of the claimed design.

**1 Claim, 7 Drawing Sheets**



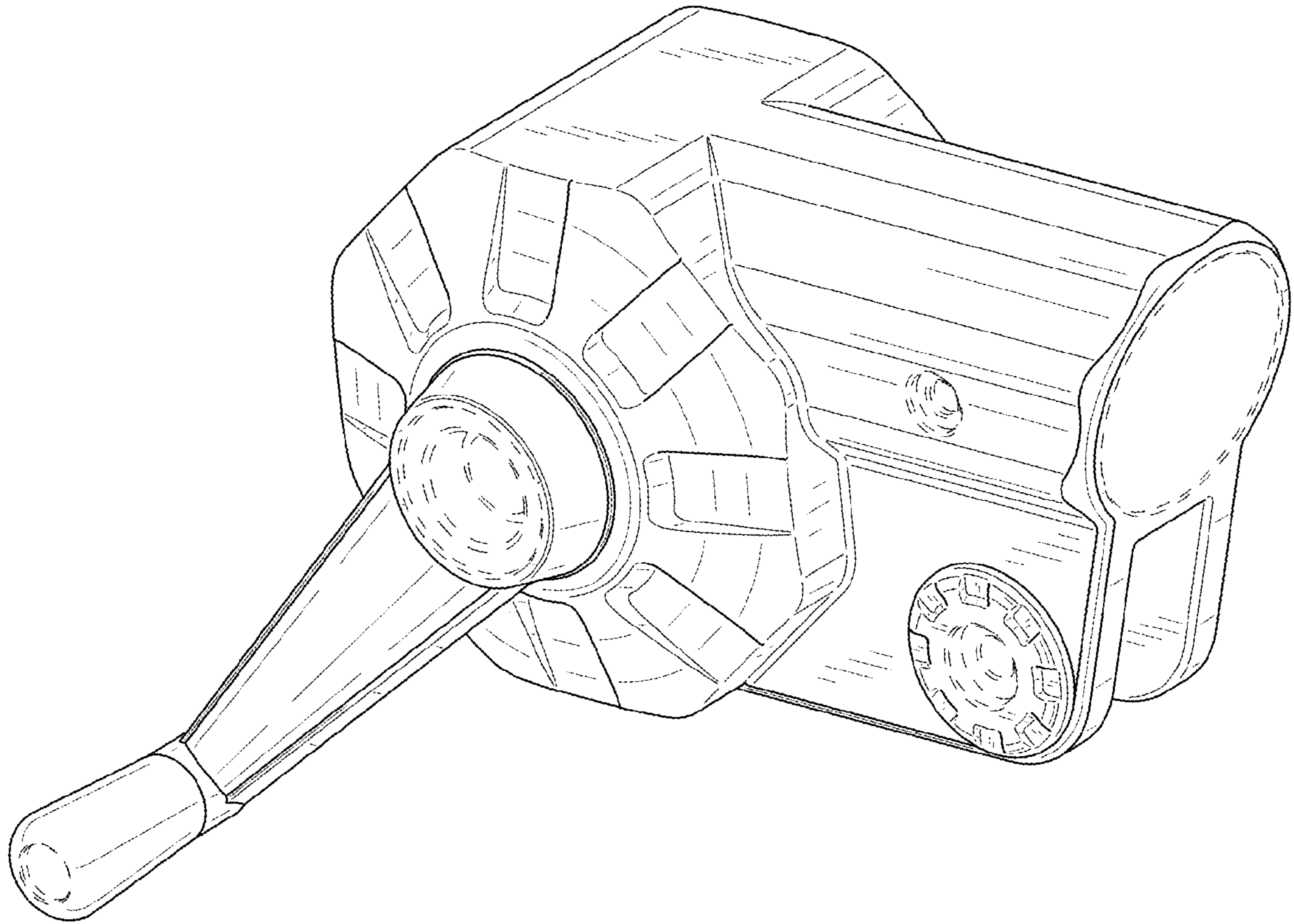


FIG. 1

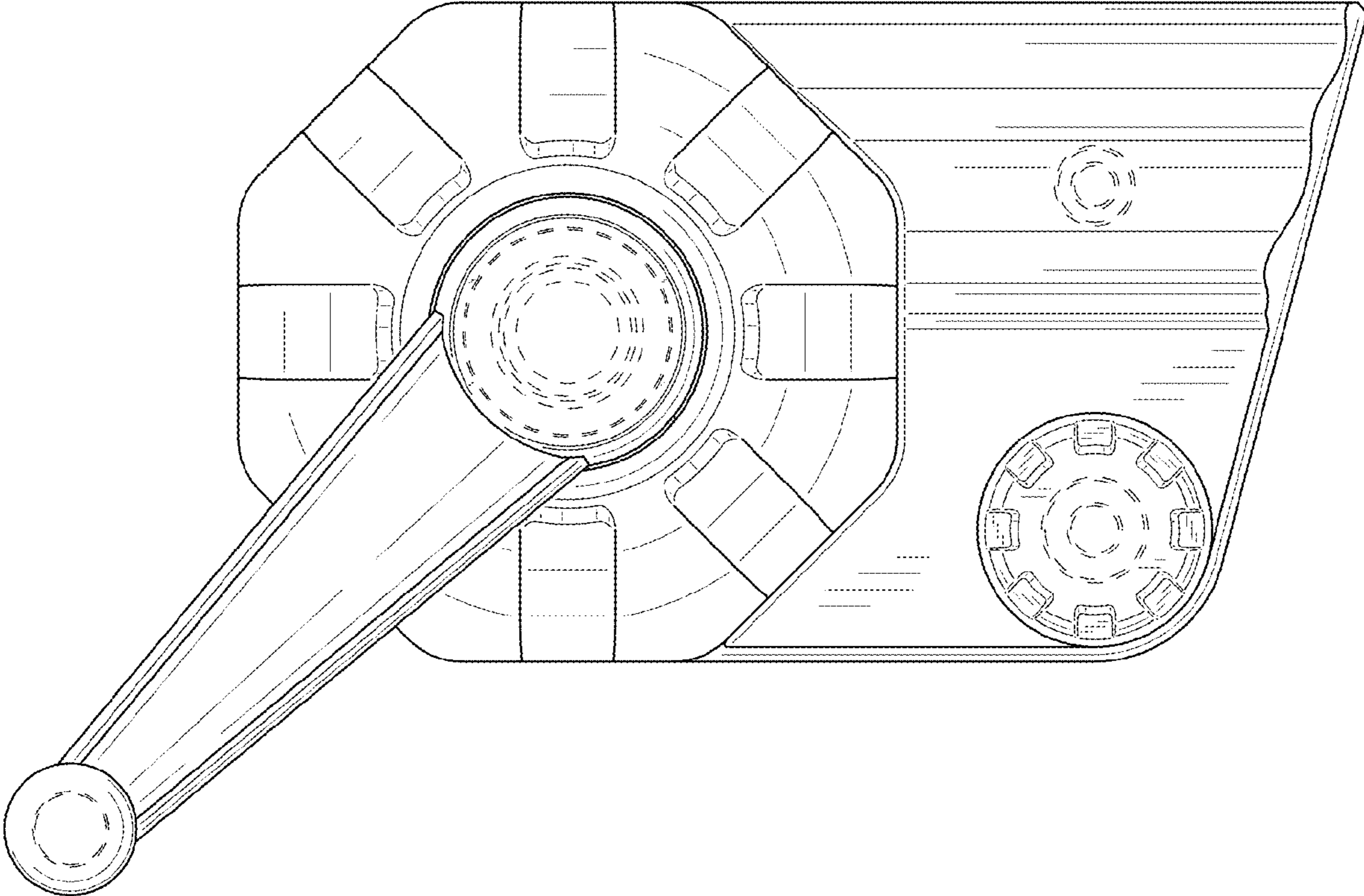


FIG. 2

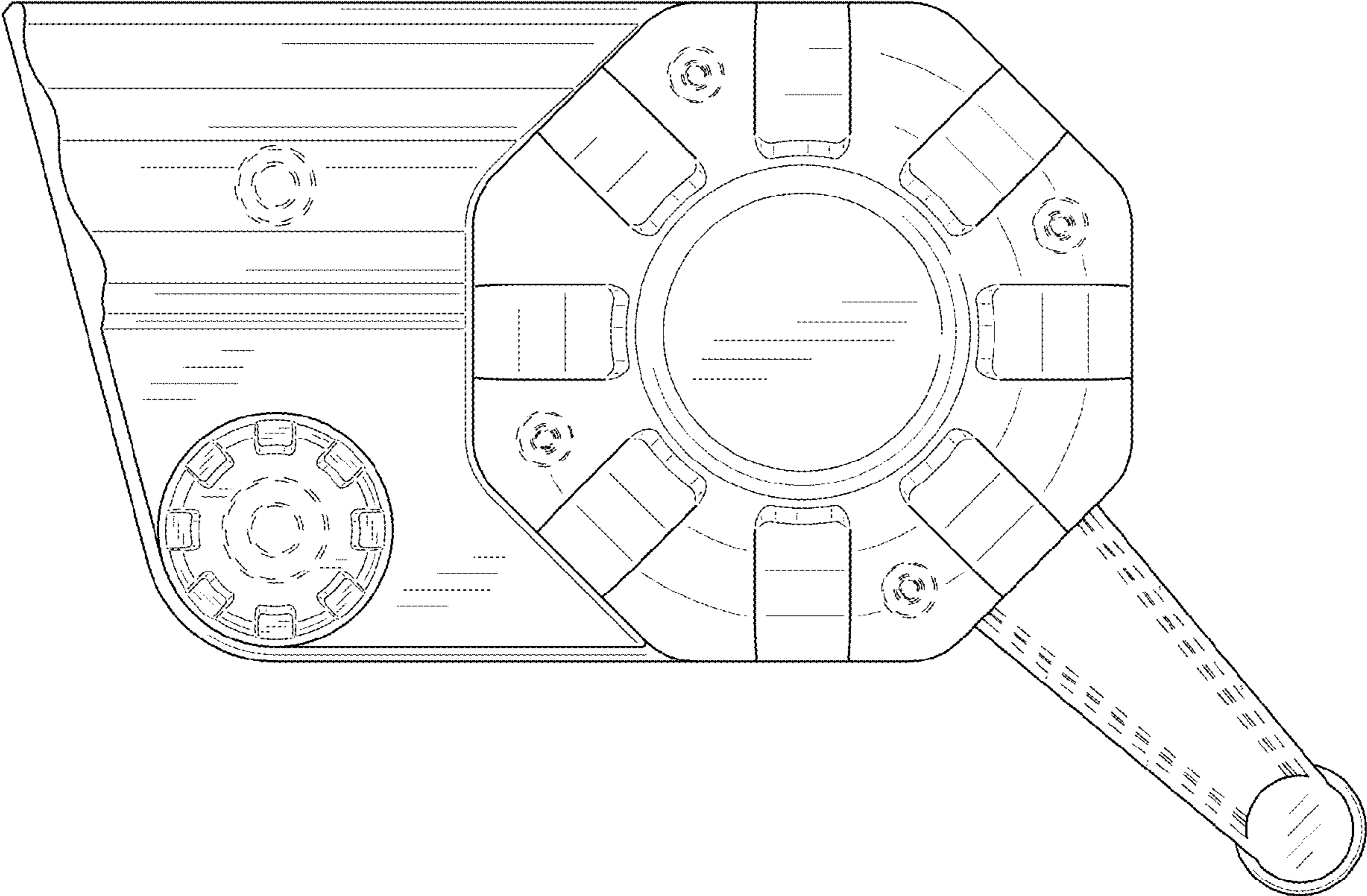


FIG. 3

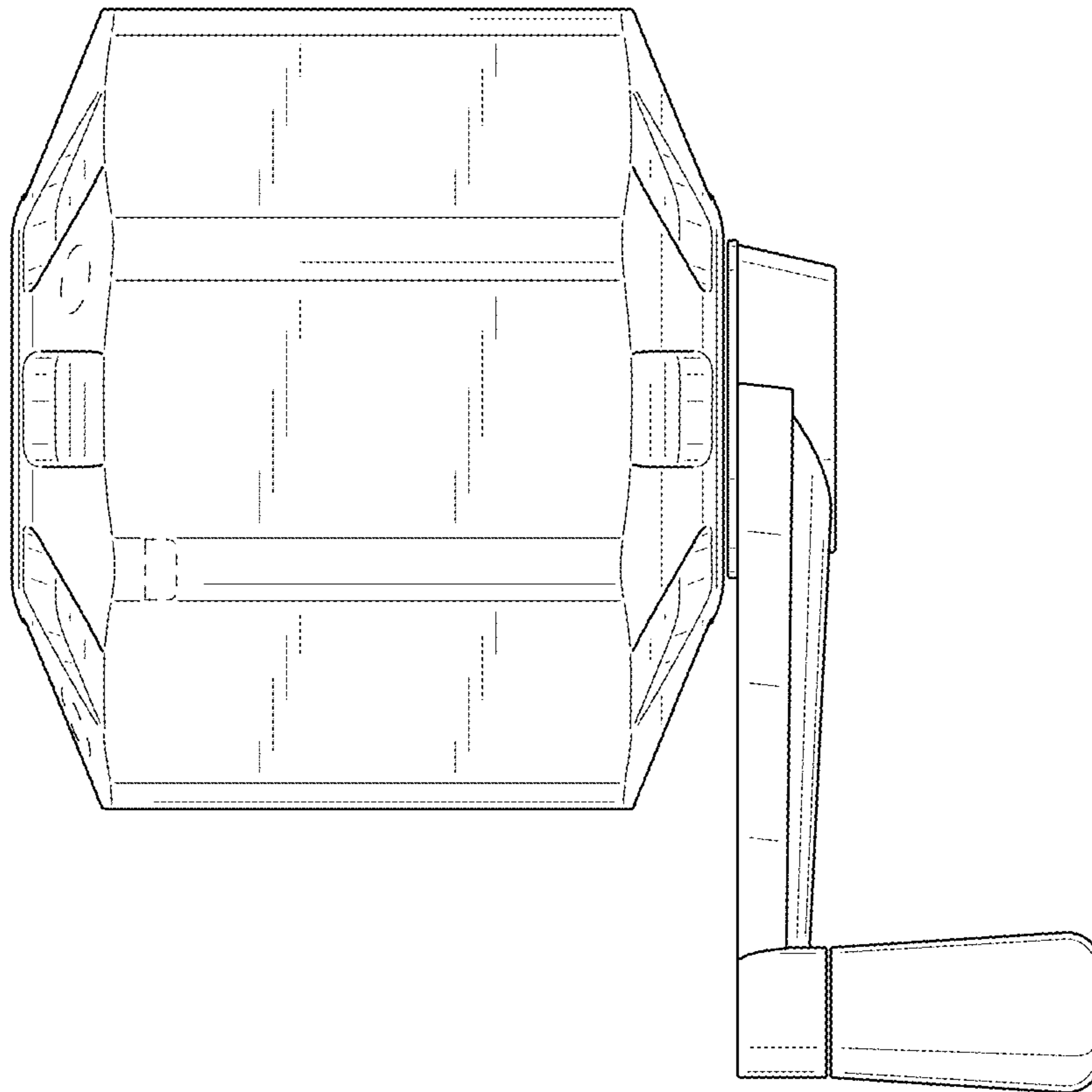


FIG. 4

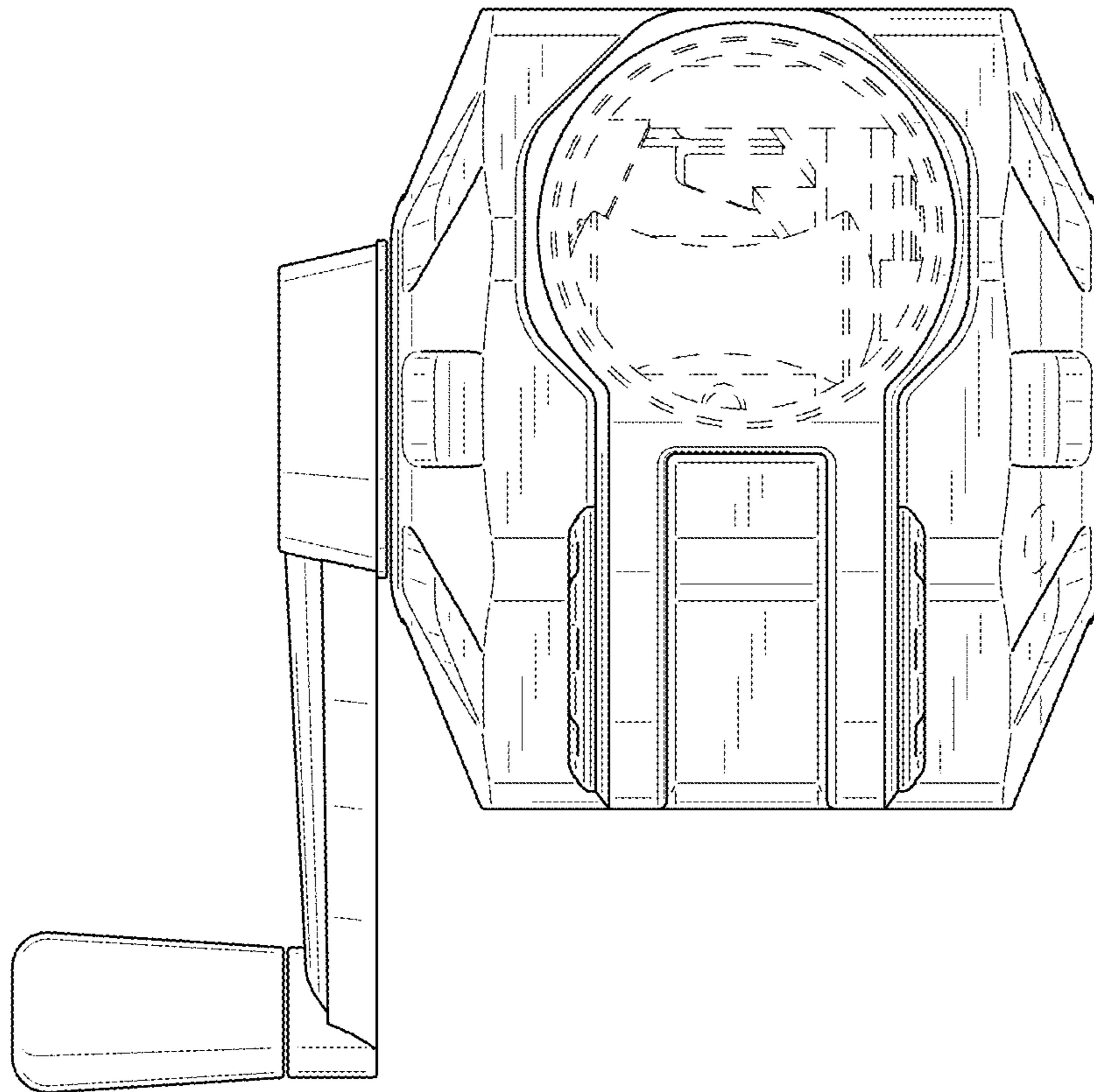


FIG. 5

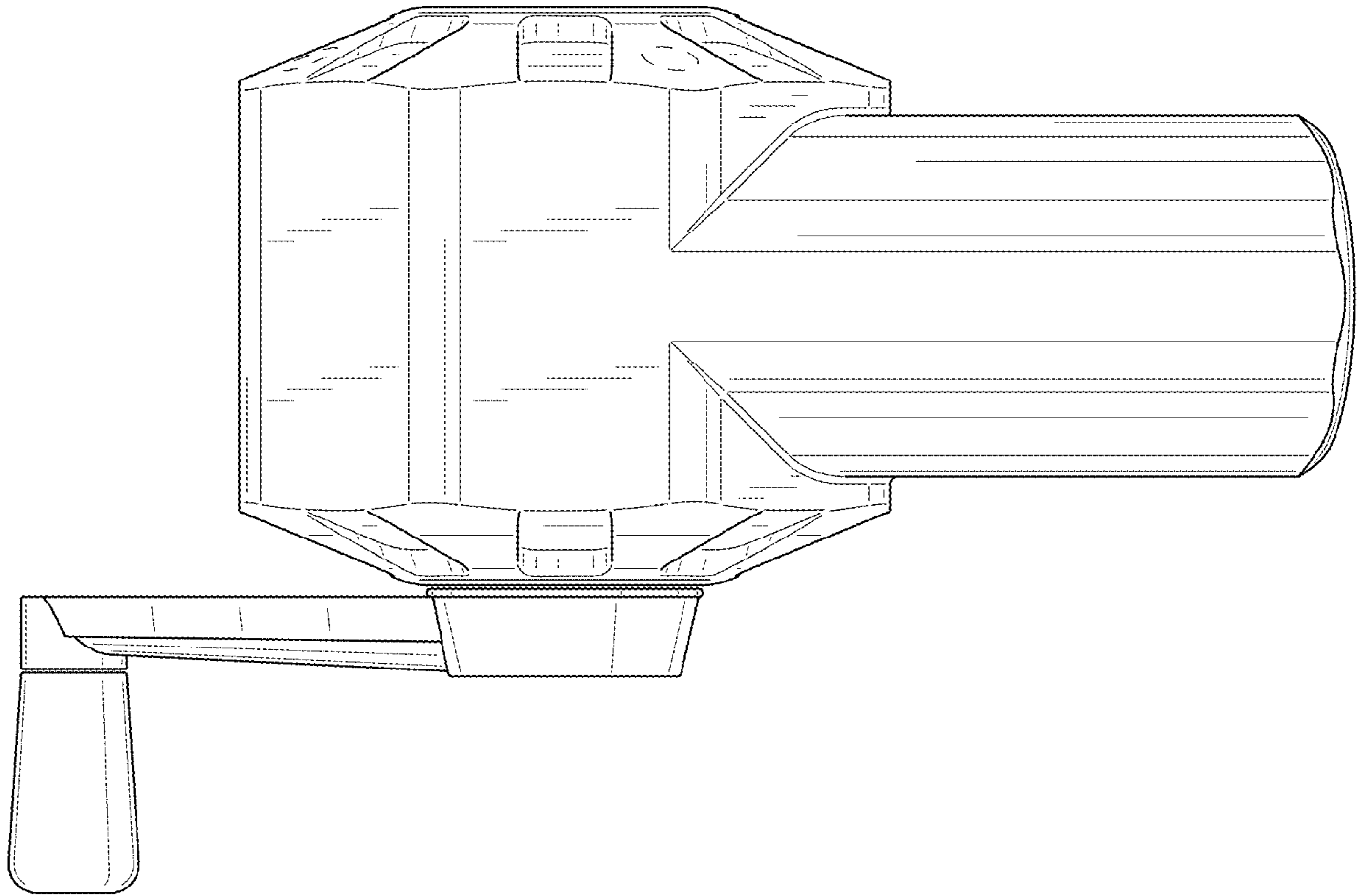


FIG. 6

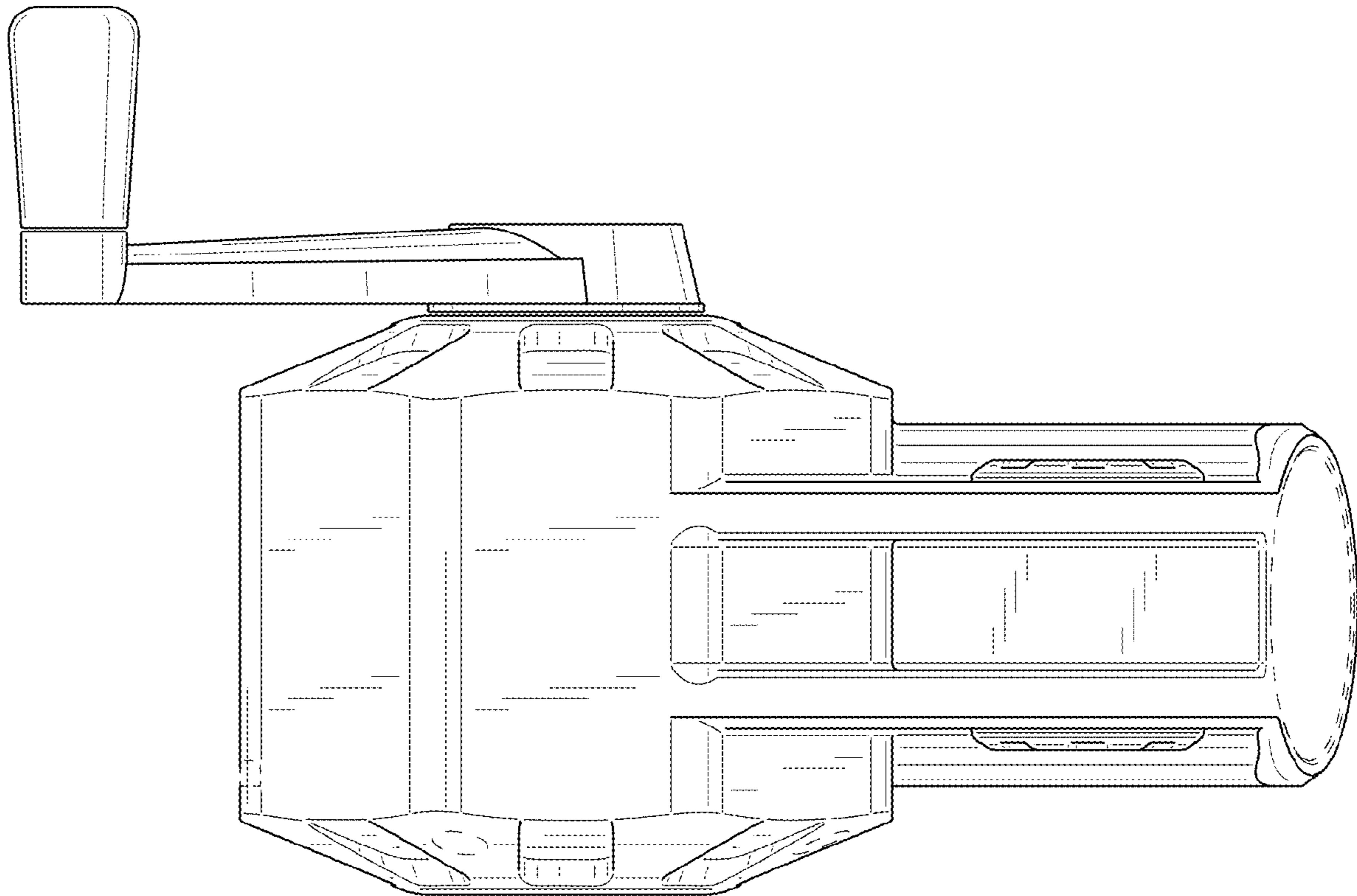


FIG. 7