



US00D984104S

(12) **United States Design Patent**
Wang

(10) **Patent No.:** **US D984,104 S**

(45) **Date of Patent:** **** Apr. 25, 2023**

(54) **PENNY LOAFER**

(71) Applicant: **Quanzhou Waiting Trading Co. LTD.,**
Quanzhou (CN)

(72) Inventor: **Yanlin Wang,** Quanzhou (CN)

(73) Assignee: **Quanzhou Waiting Trading Co. LTD.,**
Quanzhou (CN)

(**) Term: **15 Years**

(21) Appl. No.: **29/870,030**

(22) Filed: **Jan. 13, 2023**

(51) **LOC (14) Cl.** **02-04**

(52) **U.S. Cl.**
USPC **D2/923; D2/952**

(58) **Field of Classification Search**
USPC D2/896, 907, 923, 926, 946-962, 969,
D2/973

CPC A43B 3/14; A43B 13/00; A43B 13/22;
A43B 3/10; A43B 23/00; A43B 23/24
See application file for complete search history.

(56) **References Cited**

U.S. PATENT DOCUMENTS

D265,266 S 7/1982 Snyder
D642,773 S * 8/2011 Liow D2/896
D648,926 S * 11/2011 Glazer D2/896

D820,568 S * 6/2018 Bray, Jr. D2/947
D873,544 S * 1/2020 Fongher D2/923
D874,797 S * 2/2020 Fongher D2/923
D909,027 S * 2/2021 Fongher D2/923
D919,254 S * 5/2021 Del Biondi D2/916
D935,142 S * 11/2021 Abadjian D2/951
D959,106 S * 8/2022 Lv D2/947
D959,803 S * 8/2022 Lv D2/947

* cited by examiner

Primary Examiner — Rashida C. Walshon

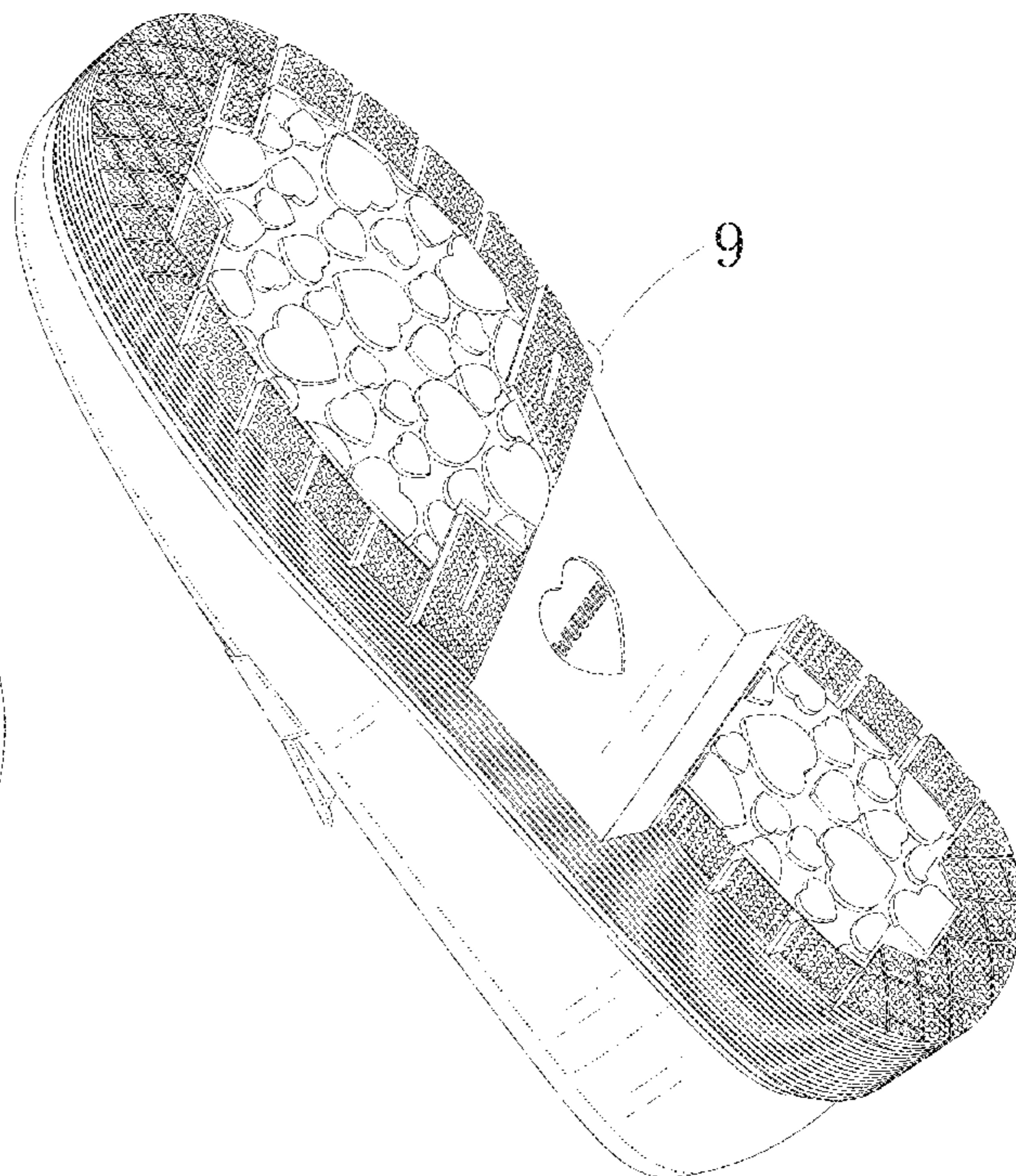
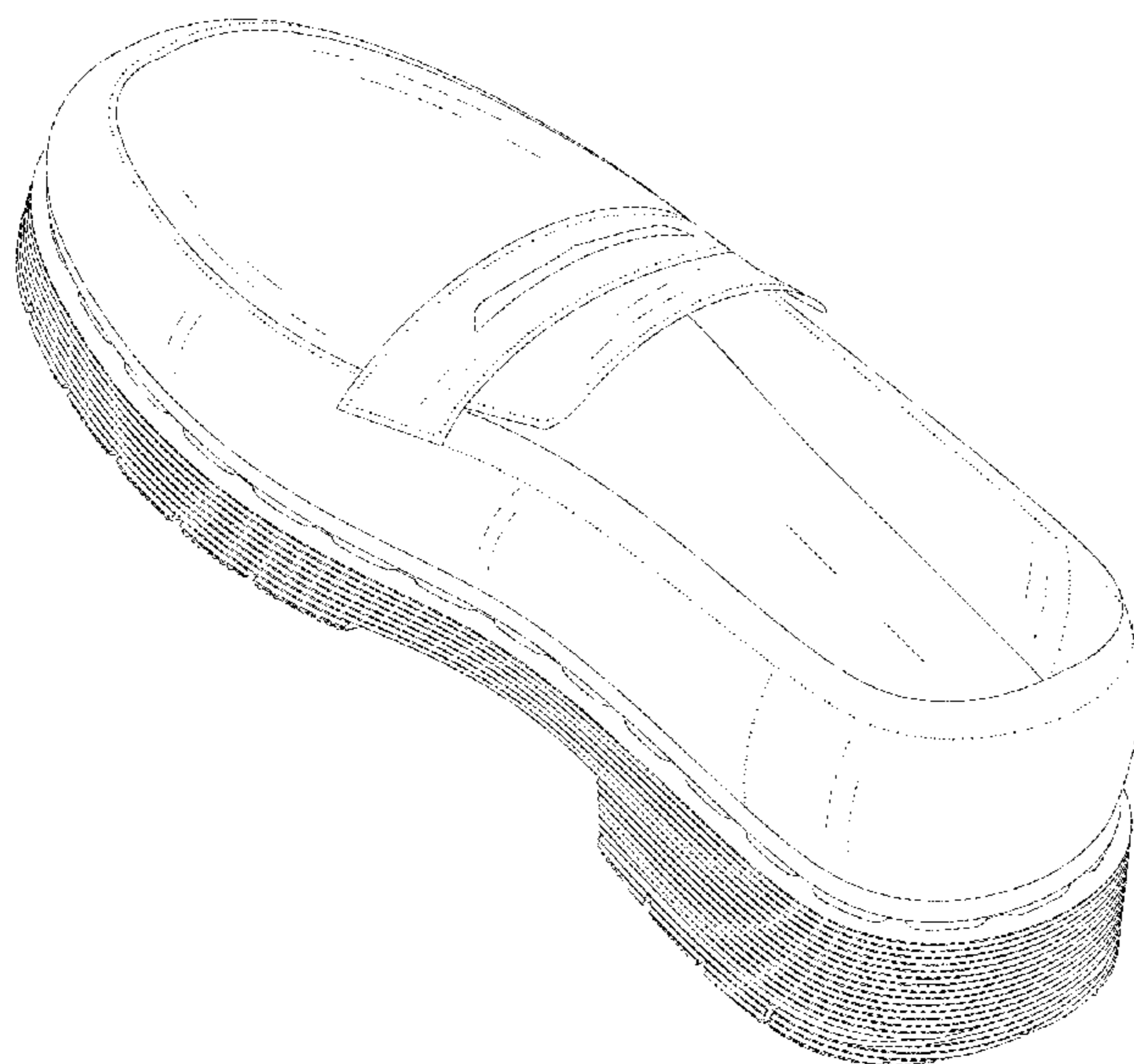
(57) **CLAIM**

The ornamental design for a penny loafer, as shown and described.

DESCRIPTION

FIG. 1 is a top, back, left side perspective view of a penny loafer, showing my new design;
FIG. 2 is a back, right side perspective view thereof;
FIG. 3 is a top plan view thereof;
FIG. 4 is a bottom plan view thereof;
FIG. 5 is a left side elevational view thereof;
FIG. 6 is a right side elevational view thereof;
FIG. 7 is a front elevational view thereof;
FIG. 8 is a back elevational view thereof;
FIG. 9 is an enlarged view of the portion labeled “9” framed in FIG. 2; and,
FIG. 10 is an enlarged view of the portion labeled “10” framed in FIG. 8.
The dot lines depict stitching of the Penny Loafer that do not form part of the claimed design.

1 Claim, 10 Drawing Sheets



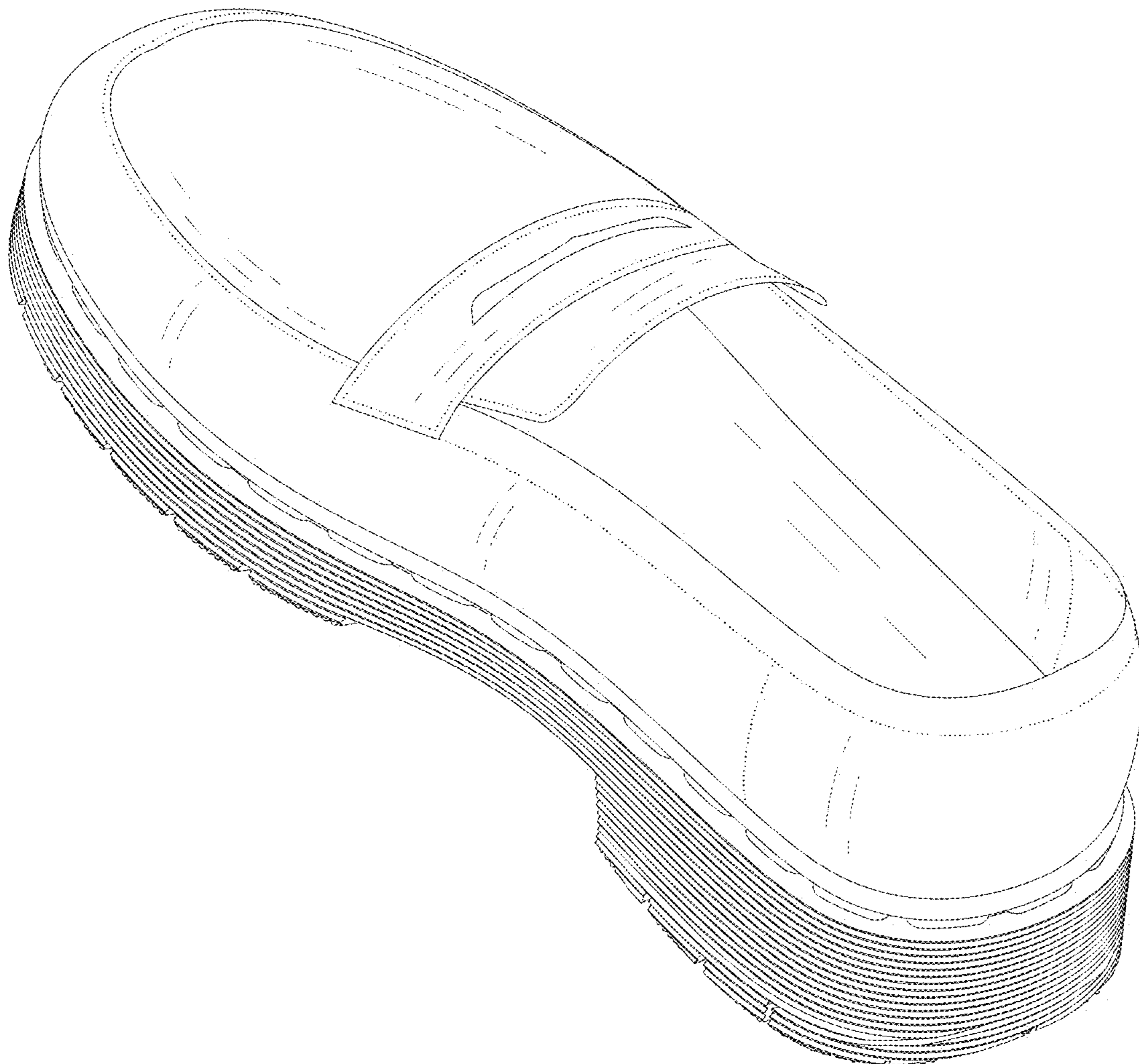


FIG. 1

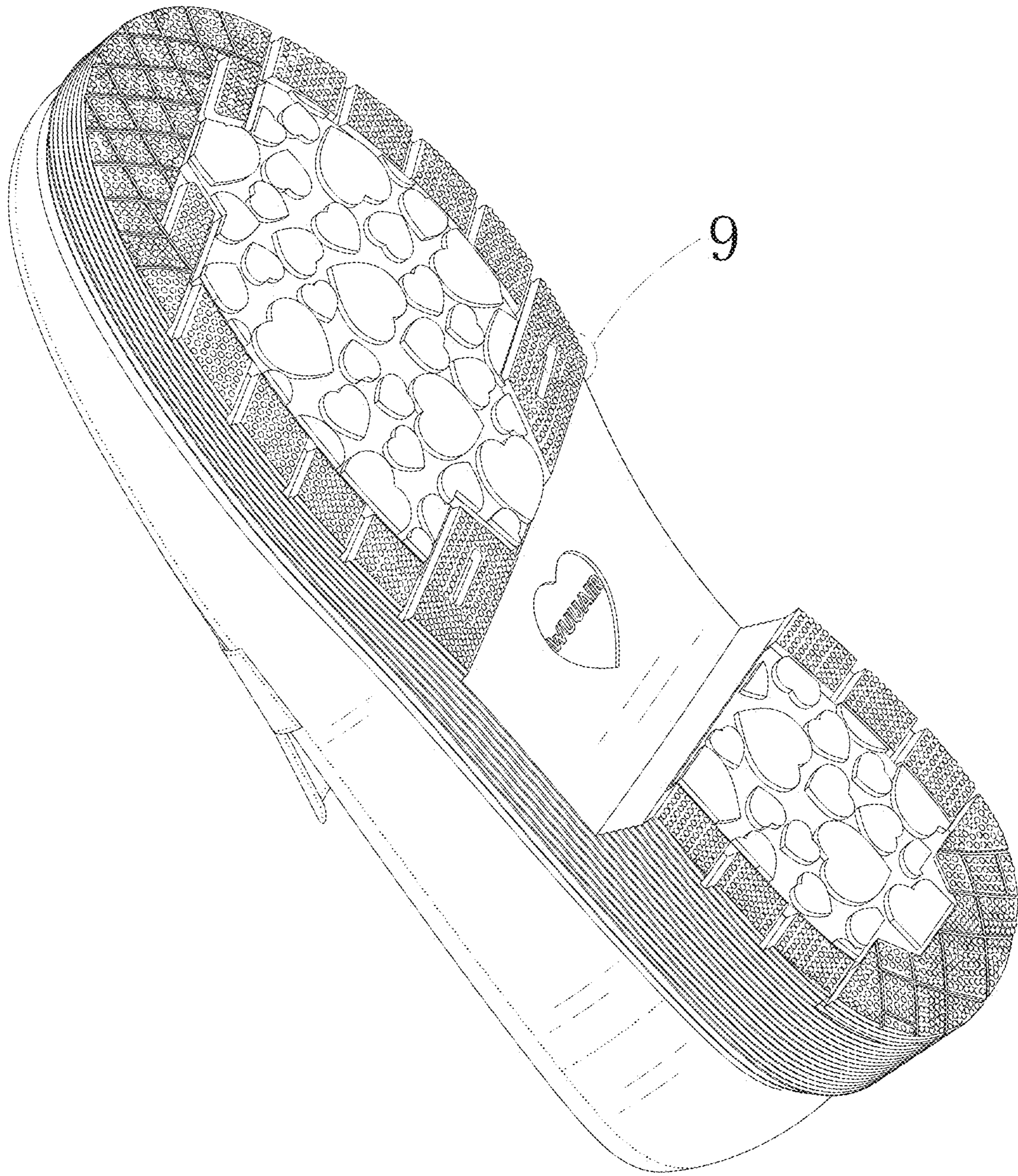


FIG. 2

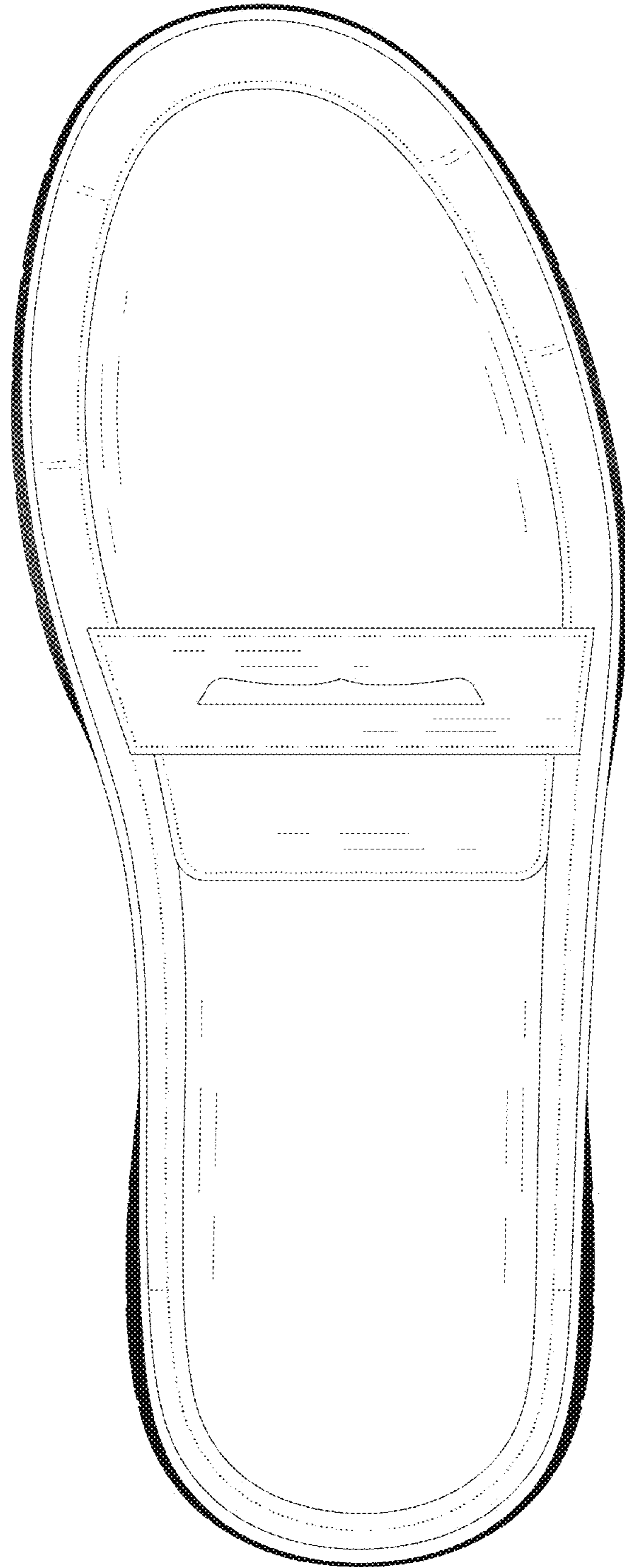


FIG. 3

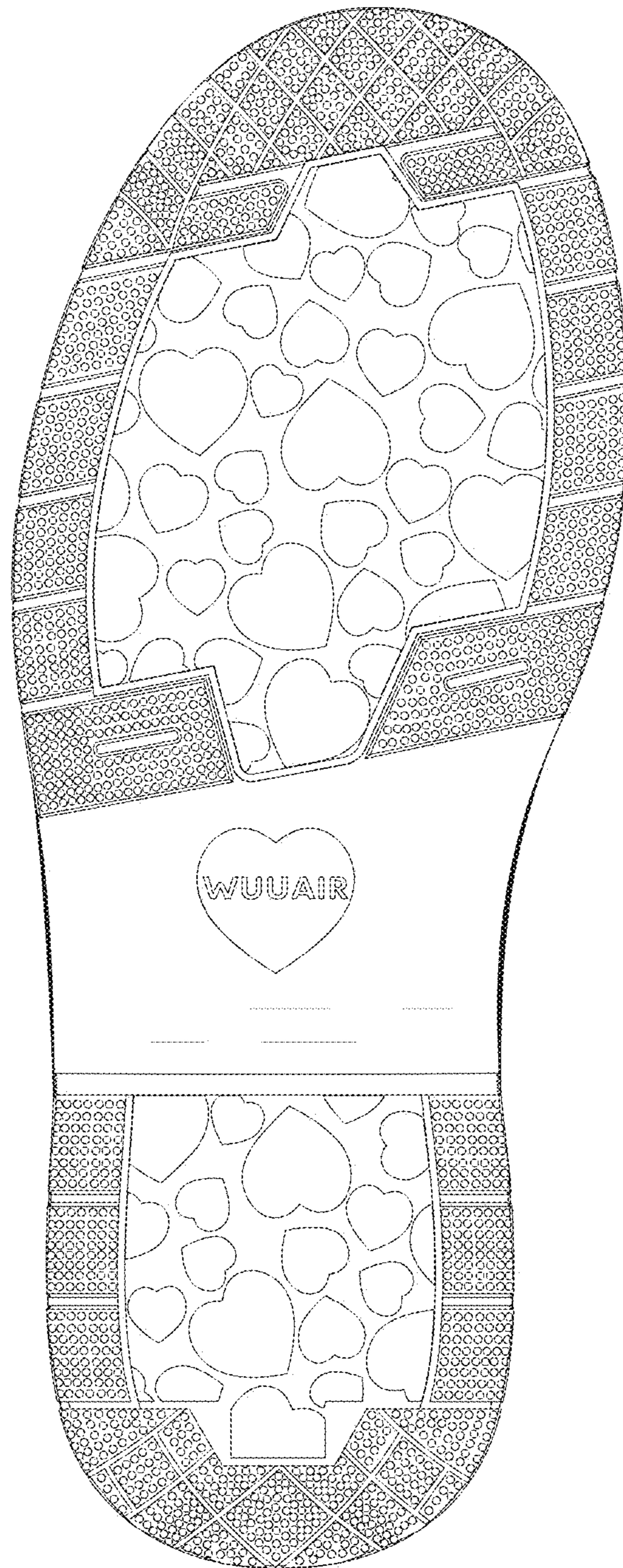


FIG. 4

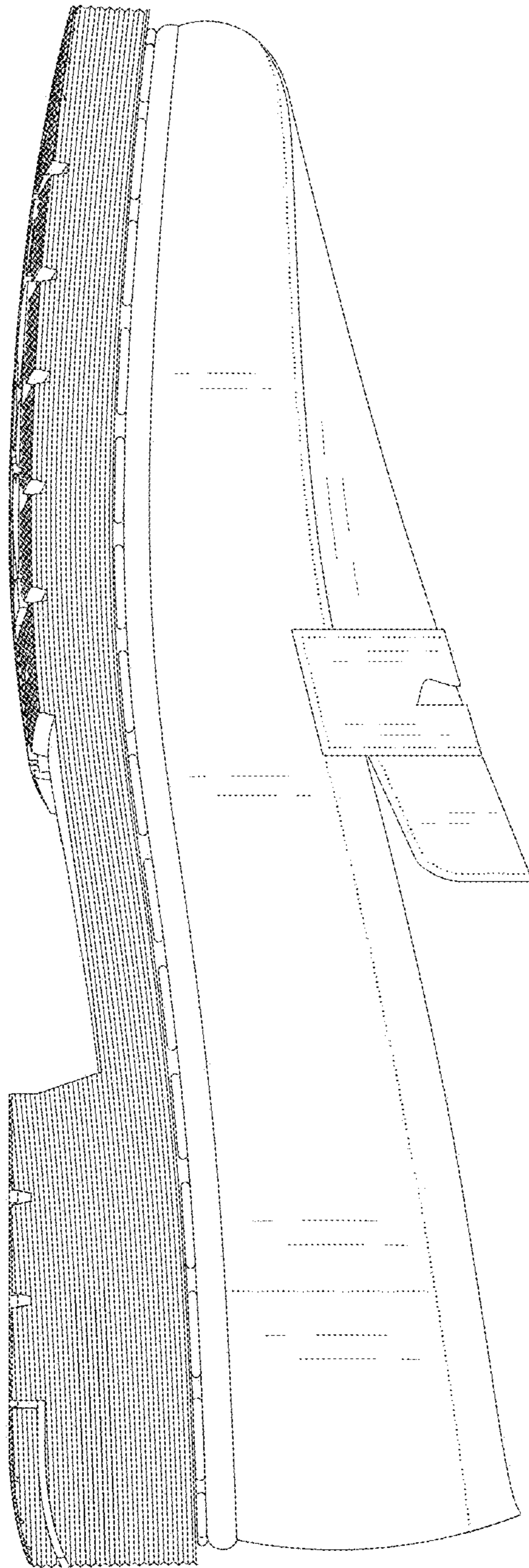


FIG. 5

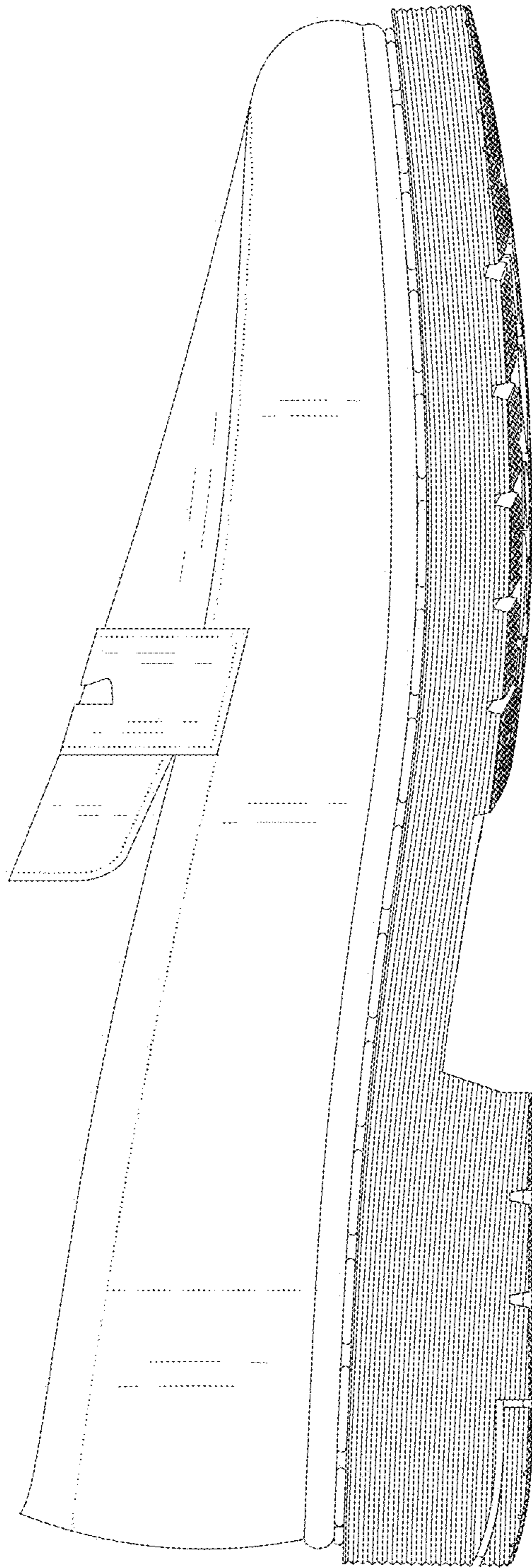


FIG. 6

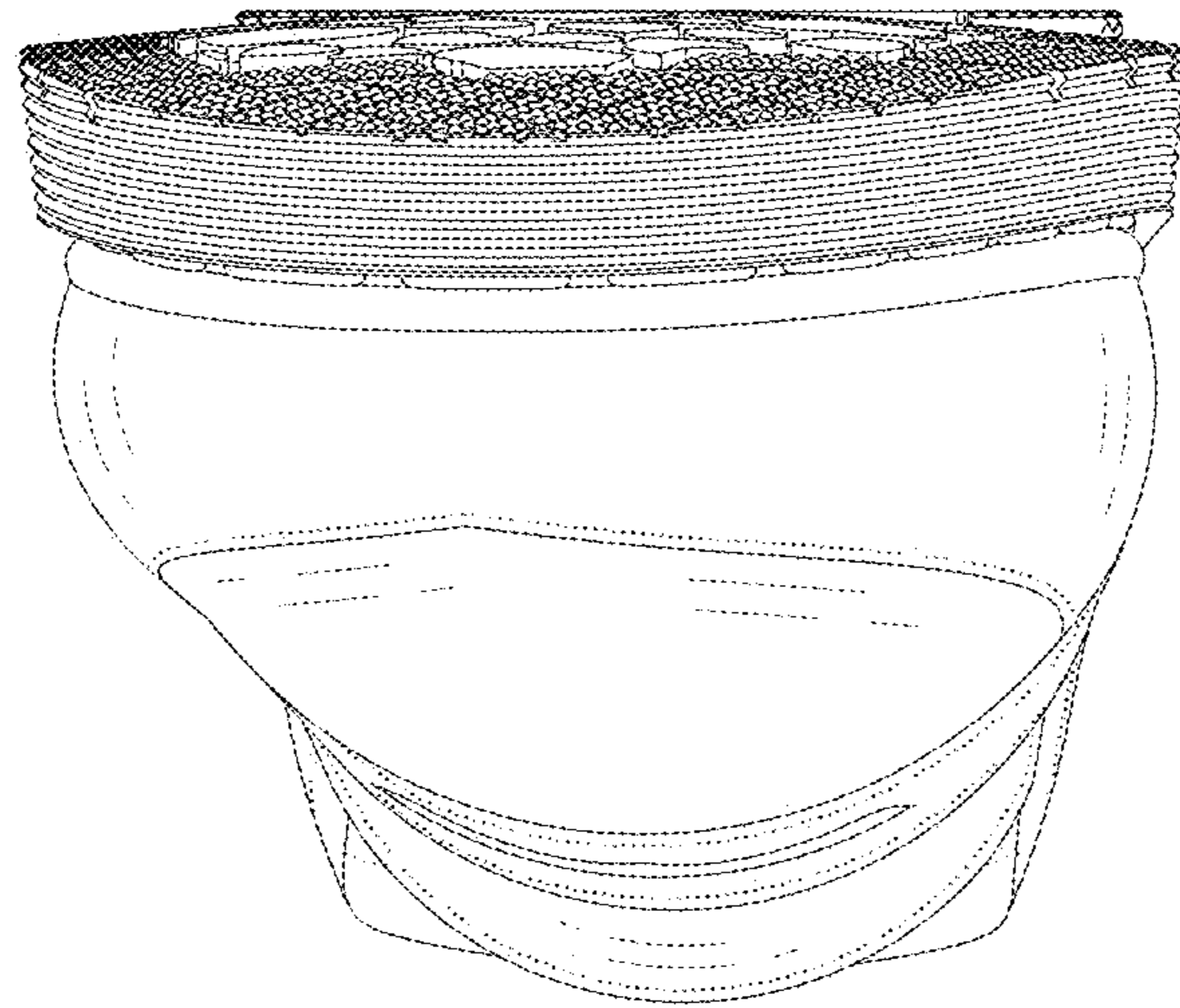


FIG. 7

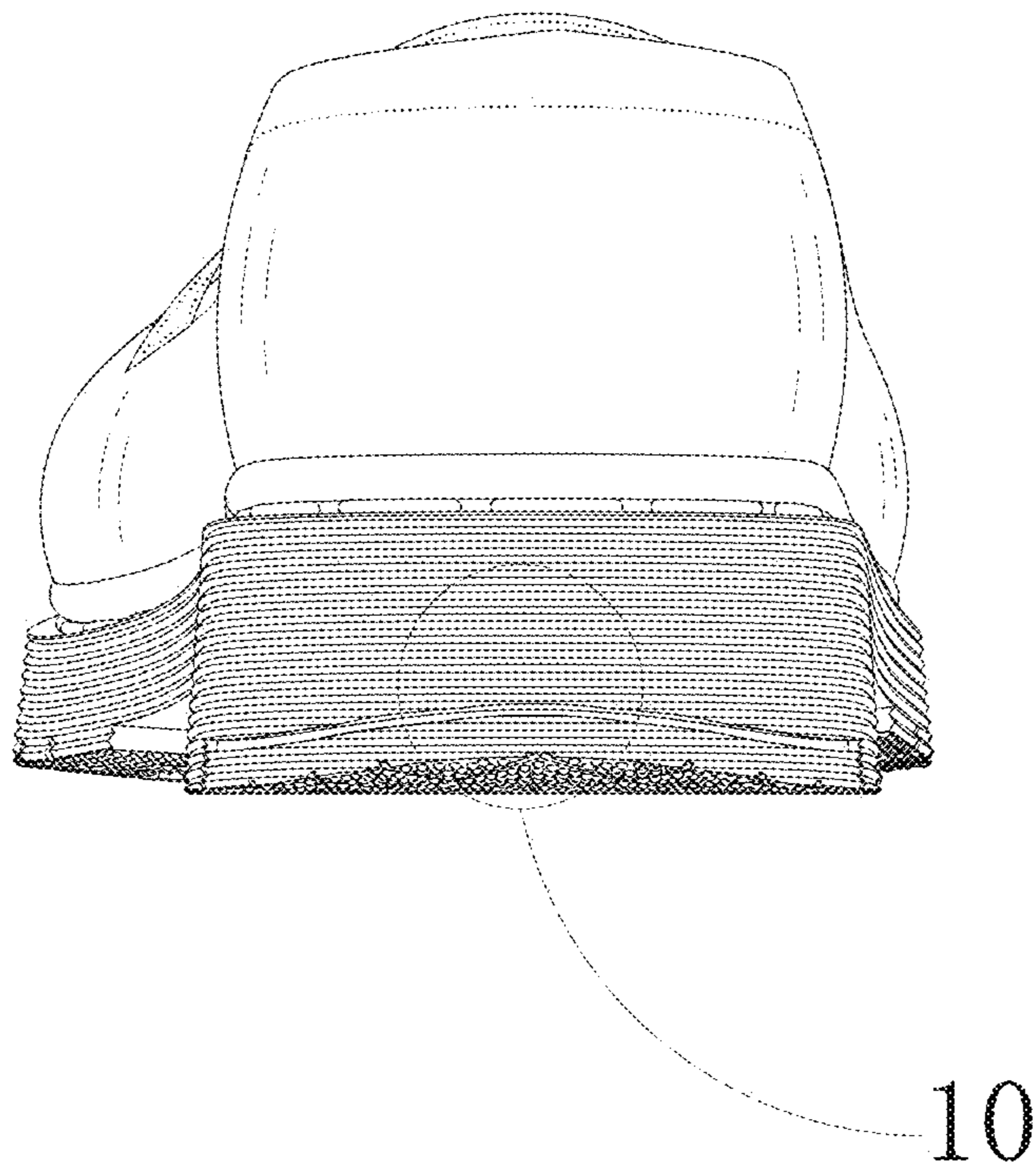


FIG. 8

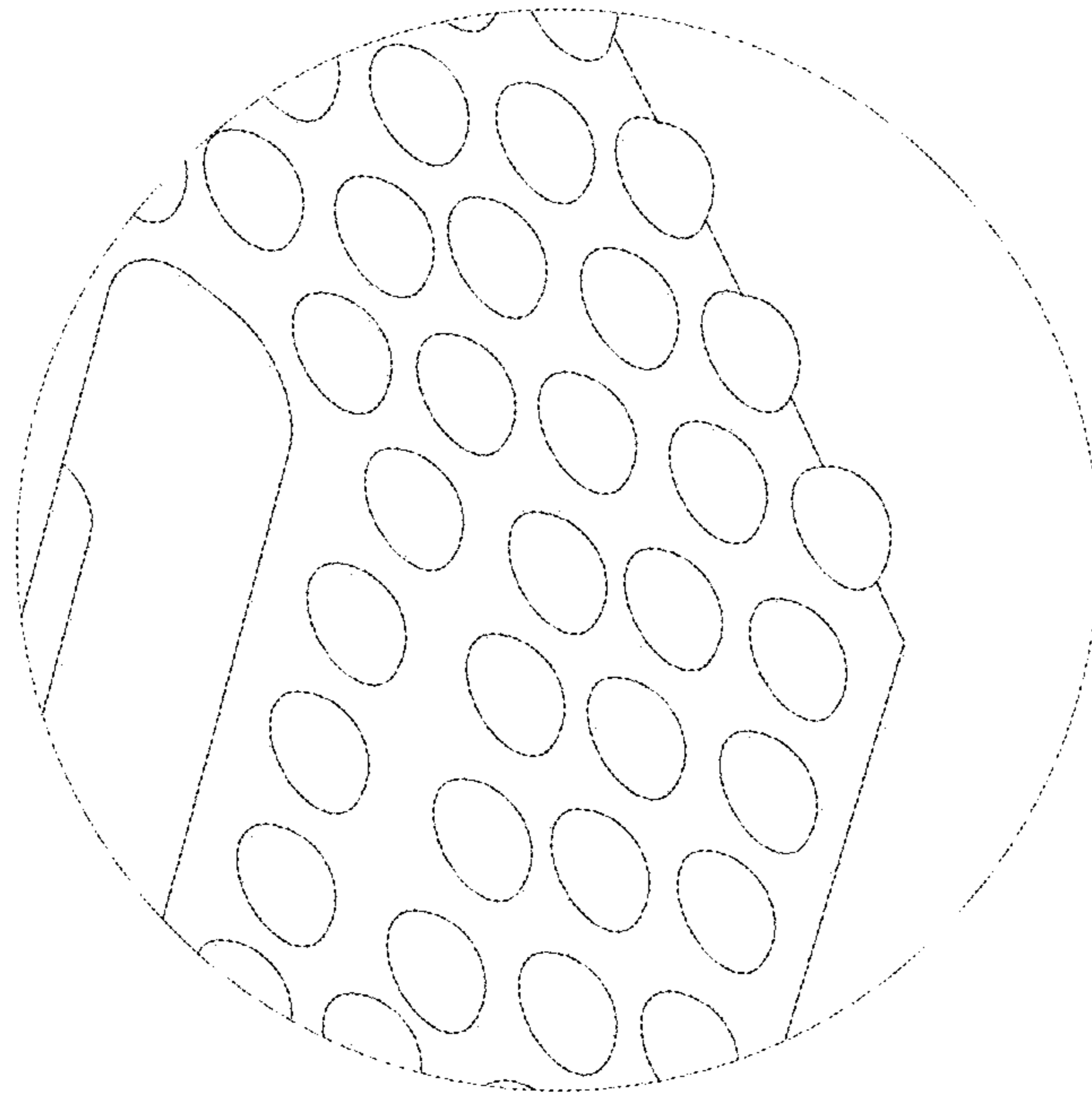


FIG. 9

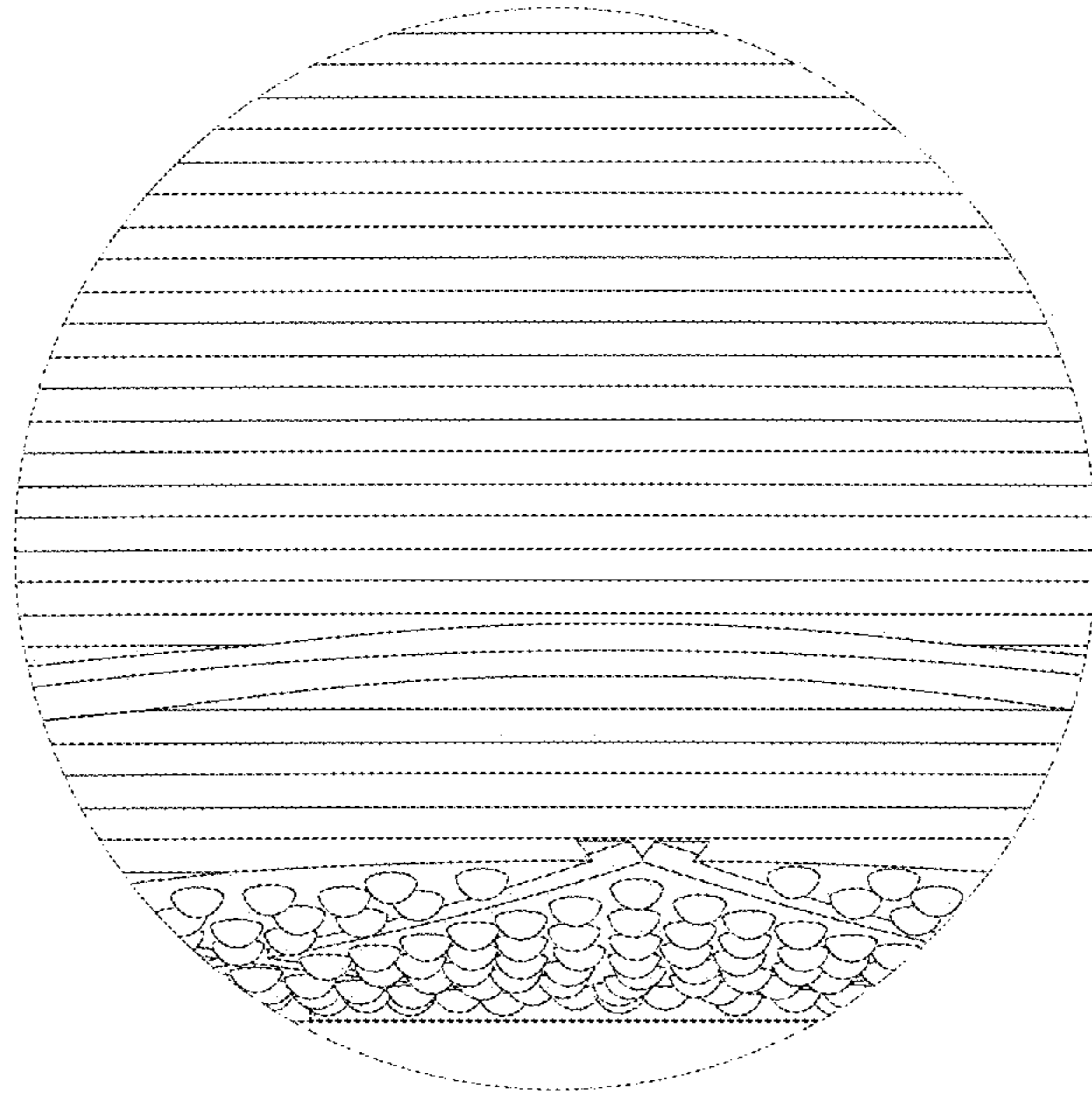


FIG. 10