



US00D984103S

(12) **United States Design Patent**
Zhang

(10) **Patent No.:** **US D984,103 S**

(45) **Date of Patent:** **** Apr. 25, 2023**

(54) **SHOE**

(71) Applicant: **Zhaowen Zhang**, Fujian (CN)

(72) Inventor: **Zhaowen Zhang**, Fujian (CN)

(**) Term: **15 Years**

(21) Appl. No.: **29/841,035**

(22) Filed: **Jun. 2, 2022**

(51) **LOC (14) Cl.** **02-04**

(52) **U.S. Cl.**
USPC **D2/923; D2/957**

(58) **Field of Classification Search**

USPC D2/896-900, 907, 909-912, 919, 923,
D2/946, 951-957, 969, 970-974

CPC .. A43B 5/00; A43B 23/00; A43B 3/30; A43B
5/001; A43B 5/08; A43B 23/02

See application file for complete search history.

(56) **References Cited**

U.S. PATENT DOCUMENTS

D447,328 S *	9/2001	Duclos	D2/903
D685,170 S *	7/2013	Raysse	D2/969
D688,446 S *	8/2013	Raysse	D2/969
D818,678 S *	5/2018	Marks	D2/919
D841,947 S *	3/2019	Grinstead	D2/919
D861,296 S *	10/2019	Maxwell Weeks	D2/969
D941,005 S *	1/2022	Jones	D2/951
D955,713 S *	6/2022	Gibson	D2/951
D955,727 S *	6/2022	Martin	D2/960

D962,617 S *	9/2022	Ikeda	D2/947
D966,671 S *	10/2022	Schenone	D2/947
D968,065 S *	11/2022	O'Connor	D2/951

* cited by examiner

Primary Examiner — Rashida C. Walshon

(57) **CLAIM**

The ornamental design for a shoe, as shown and described.

DESCRIPTION

FIG. 1 is a front and top perspective view of a shoe, showing my new design;

FIG. 2 is a rear and bottom perspective view thereof;

FIG. 3 is a front elevation view thereof;

FIG. 4 is a rear elevation view thereof;

FIG. 5 is a left side elevation view thereof;

FIG. 6 is a right side elevation view thereof;

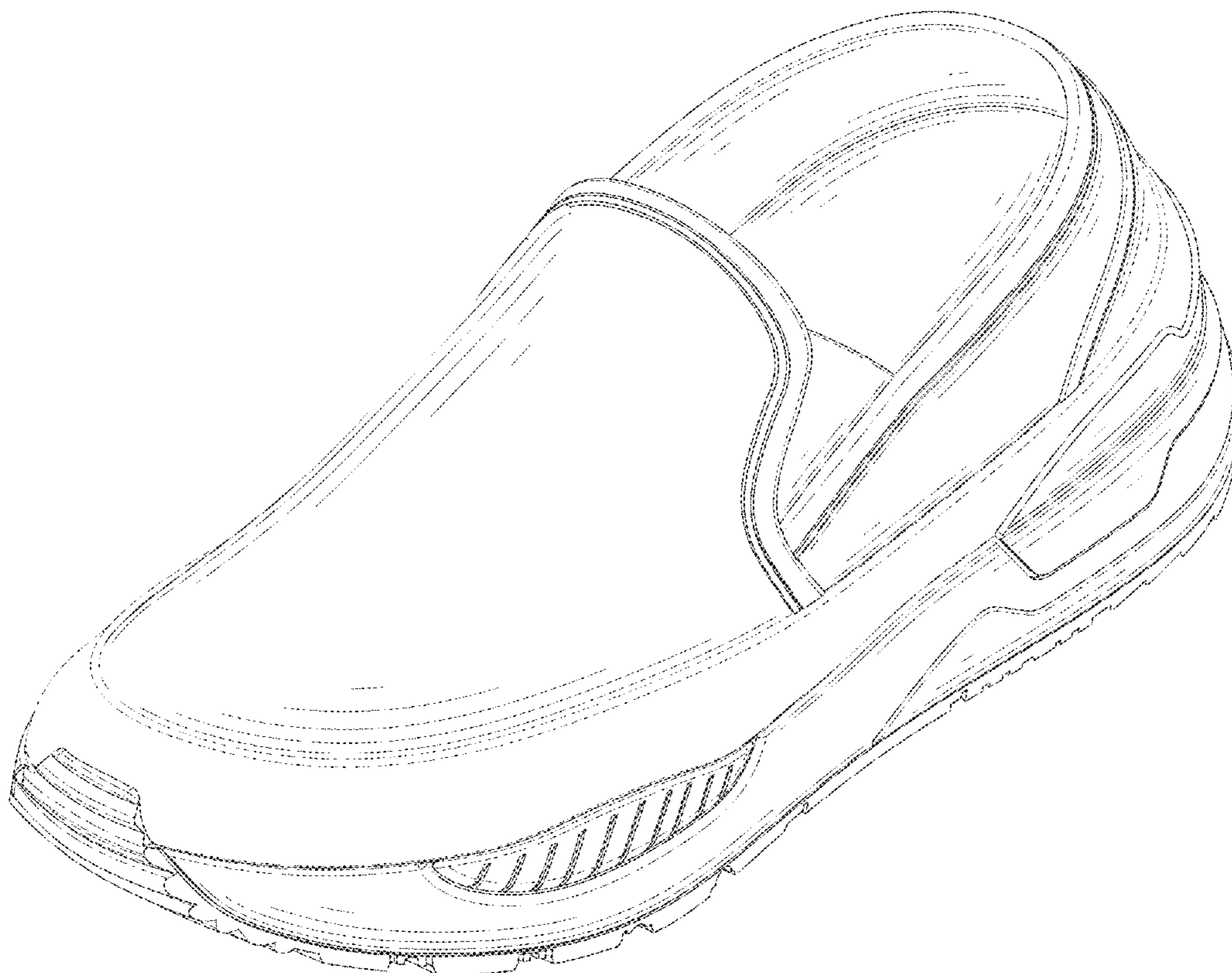
FIG. 7 is a top plan view thereof;

FIG. 8 is a bottom plan view thereof; and,

FIG. 9 is an enlarged view of a portion indicated with numeric 9 in FIG. 2.

The broken lines in the figures illustrate portions of the shoe that form no part of the claimed design. The dash dot dash lines in FIGS. 2 and 9 are for the purpose of depicting the boundary lines of the enlarged view and form no part of the claimed design.

1 Claim, 9 Drawing Sheets



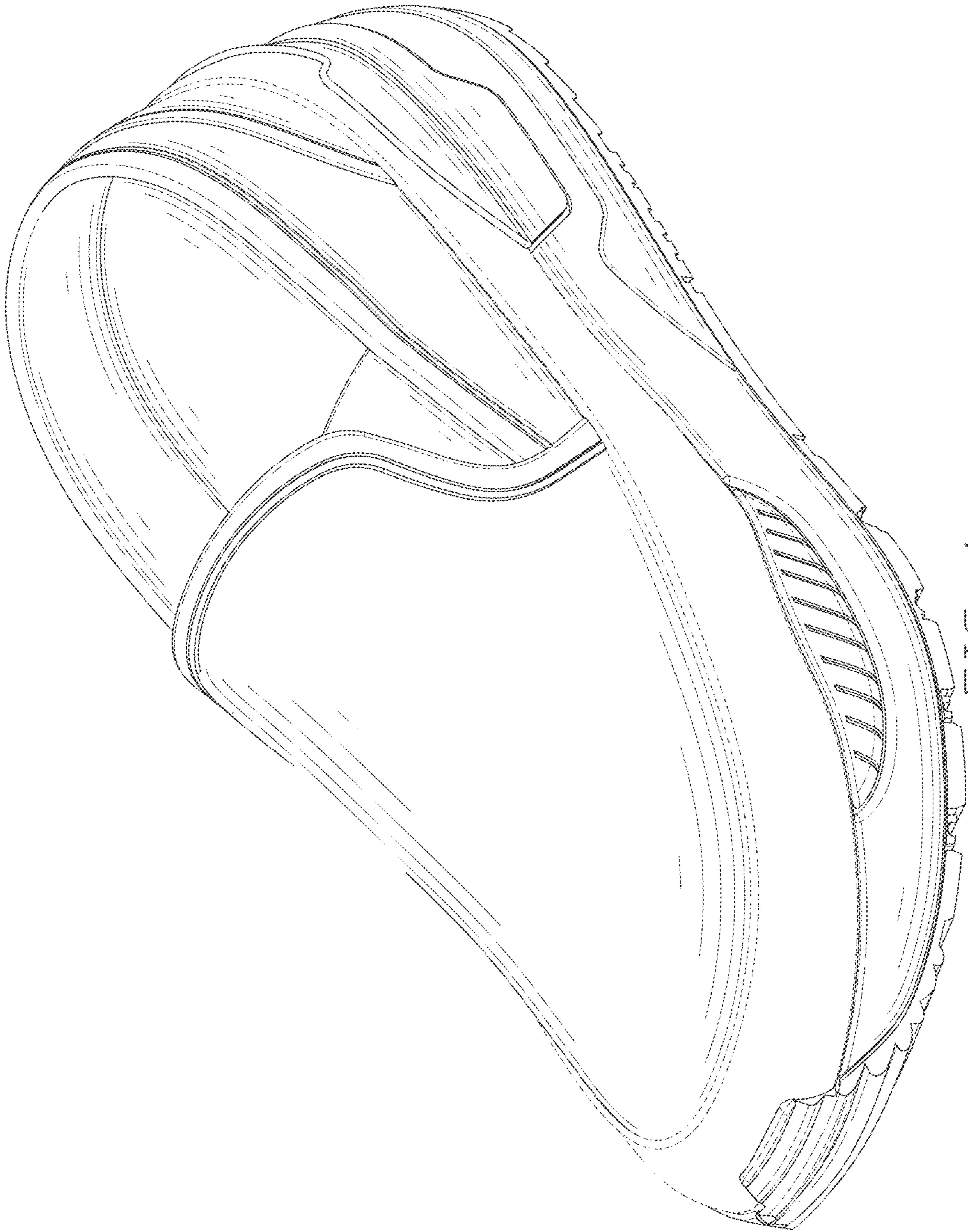


FIG. 1

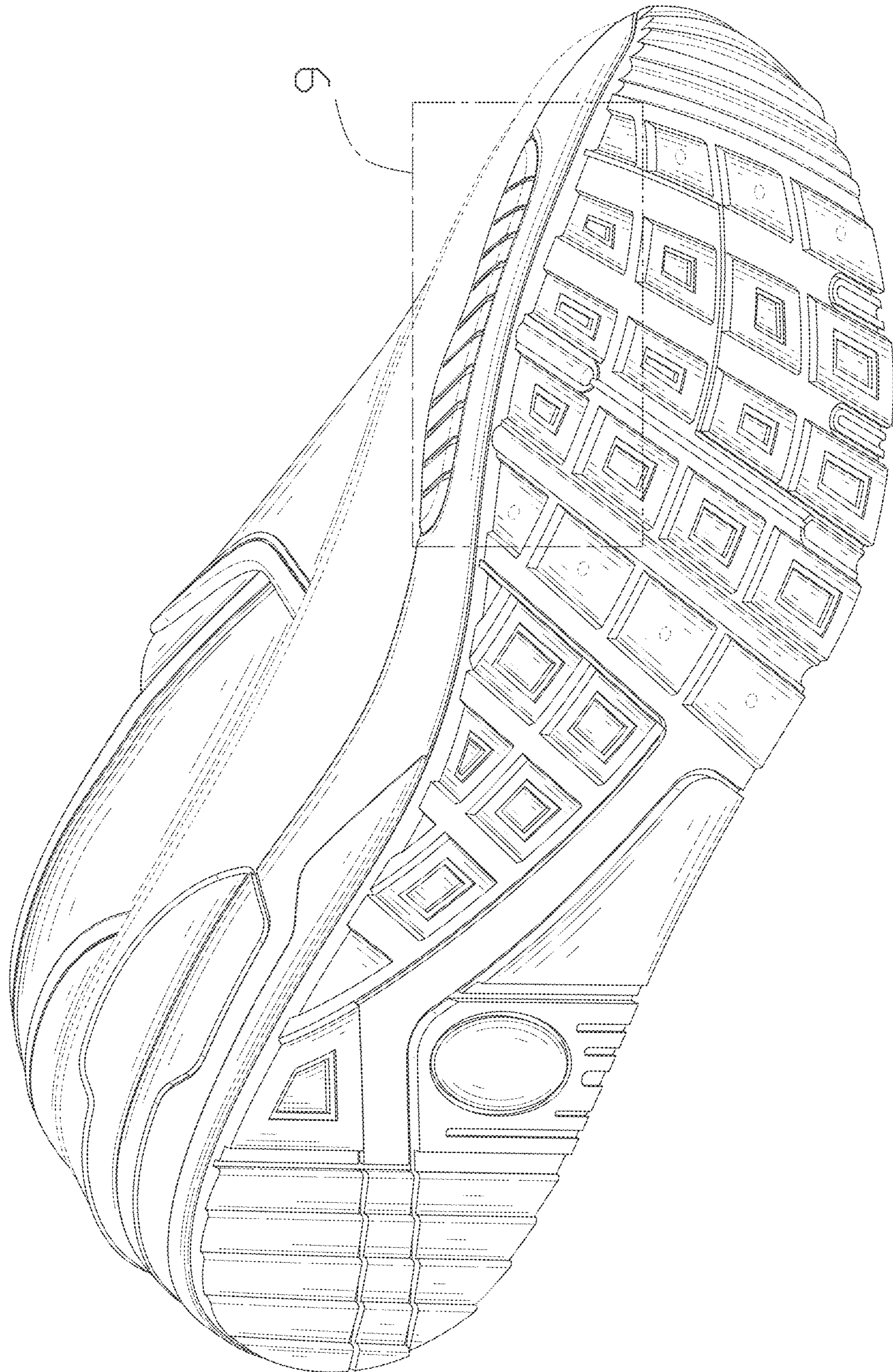


FIG. 2

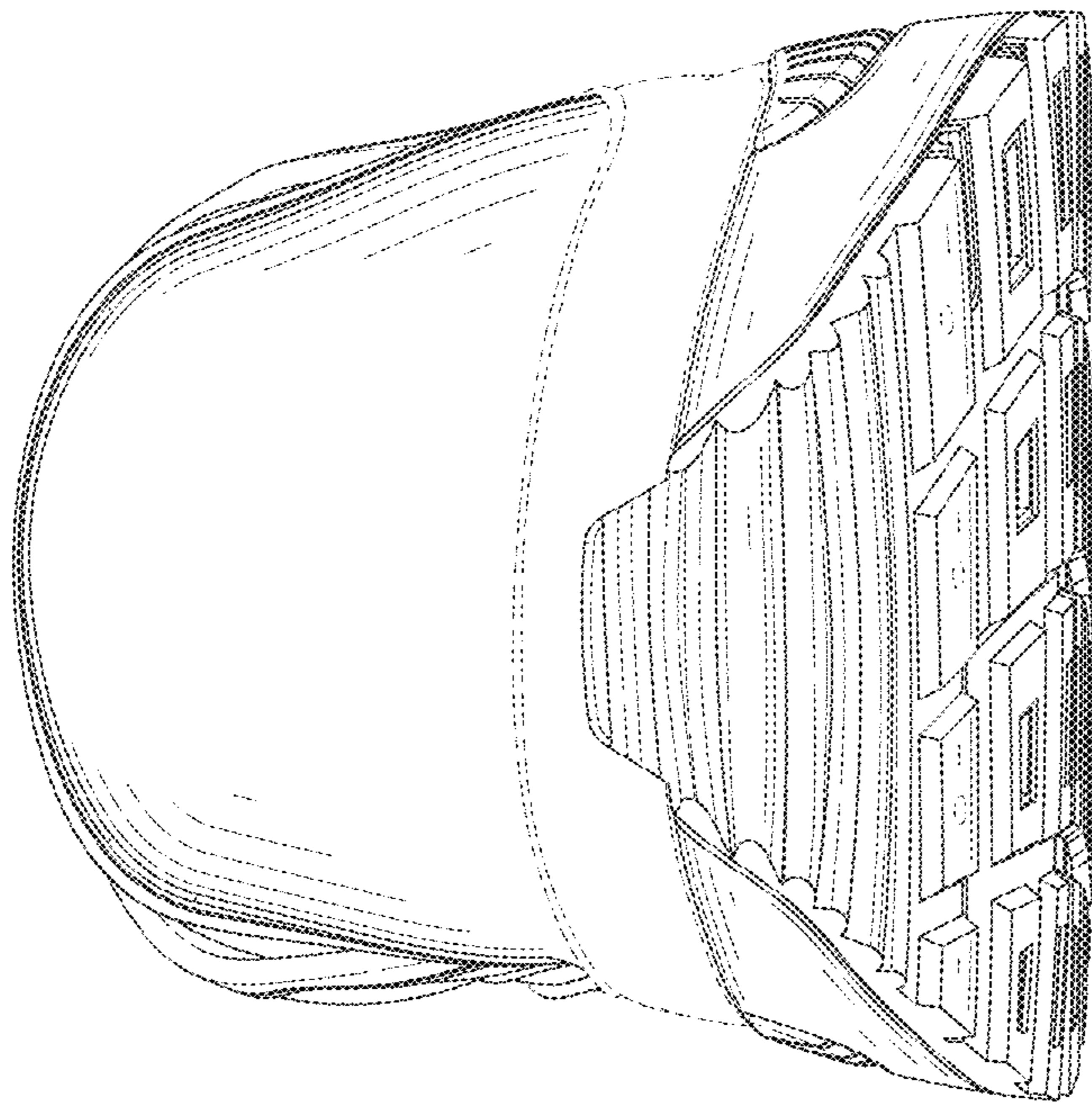


FIG. 3

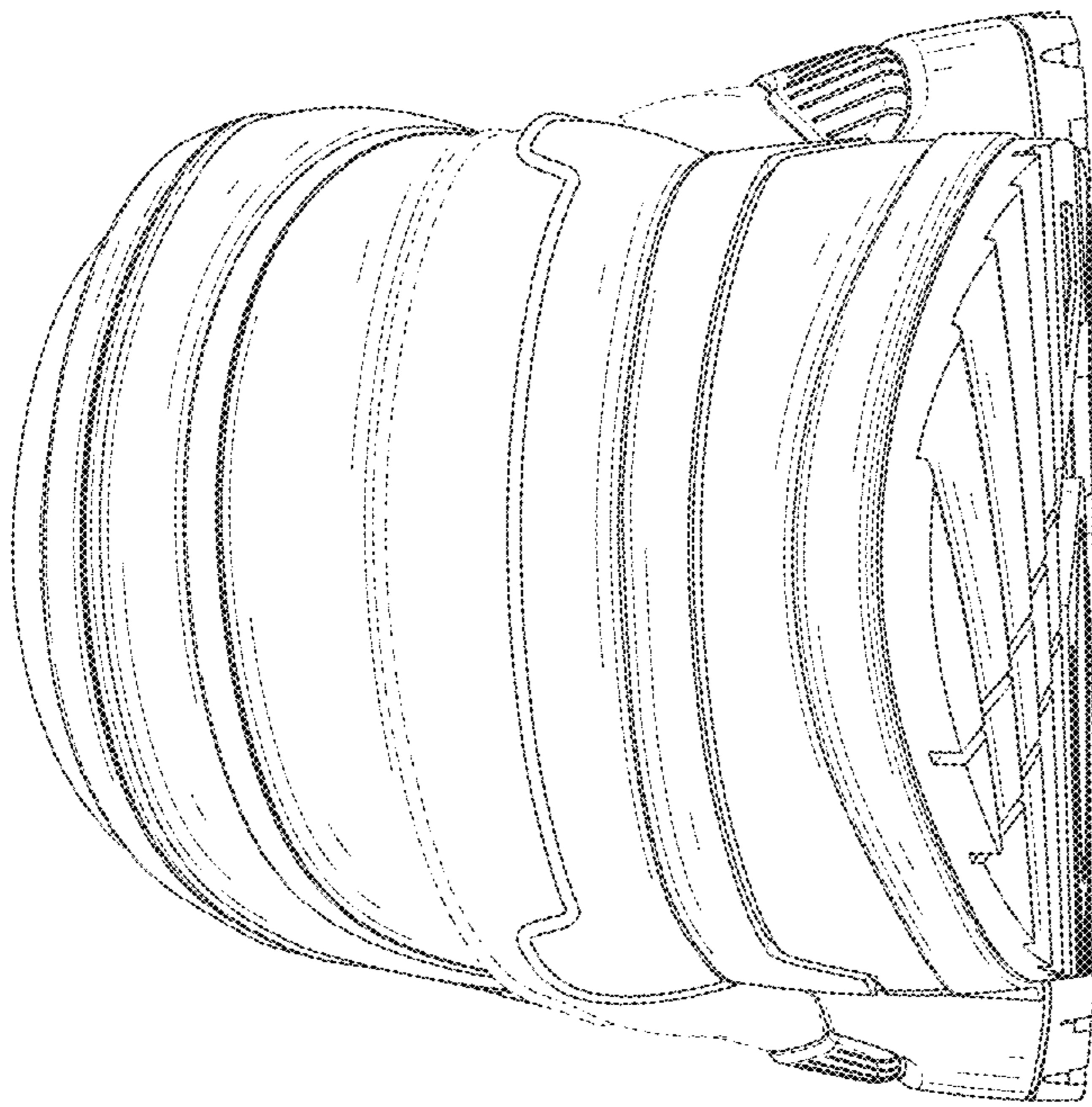


FIG. 4

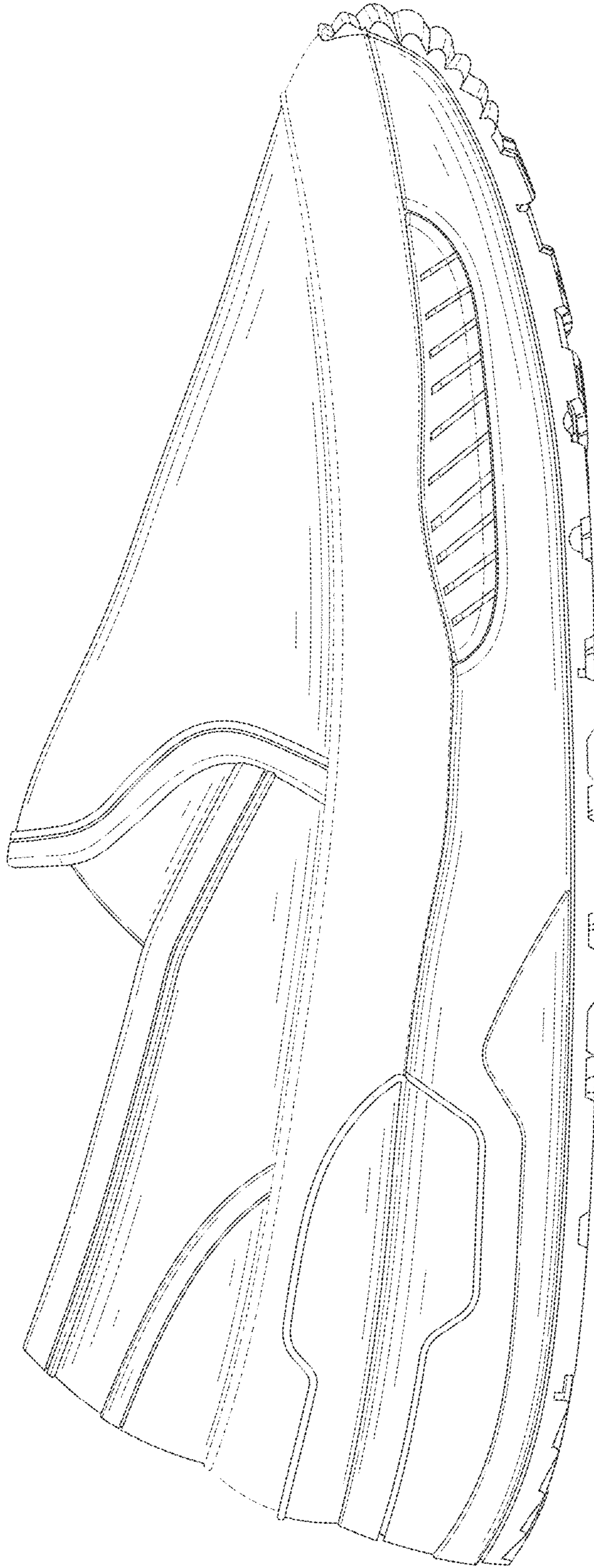


FIG. 5

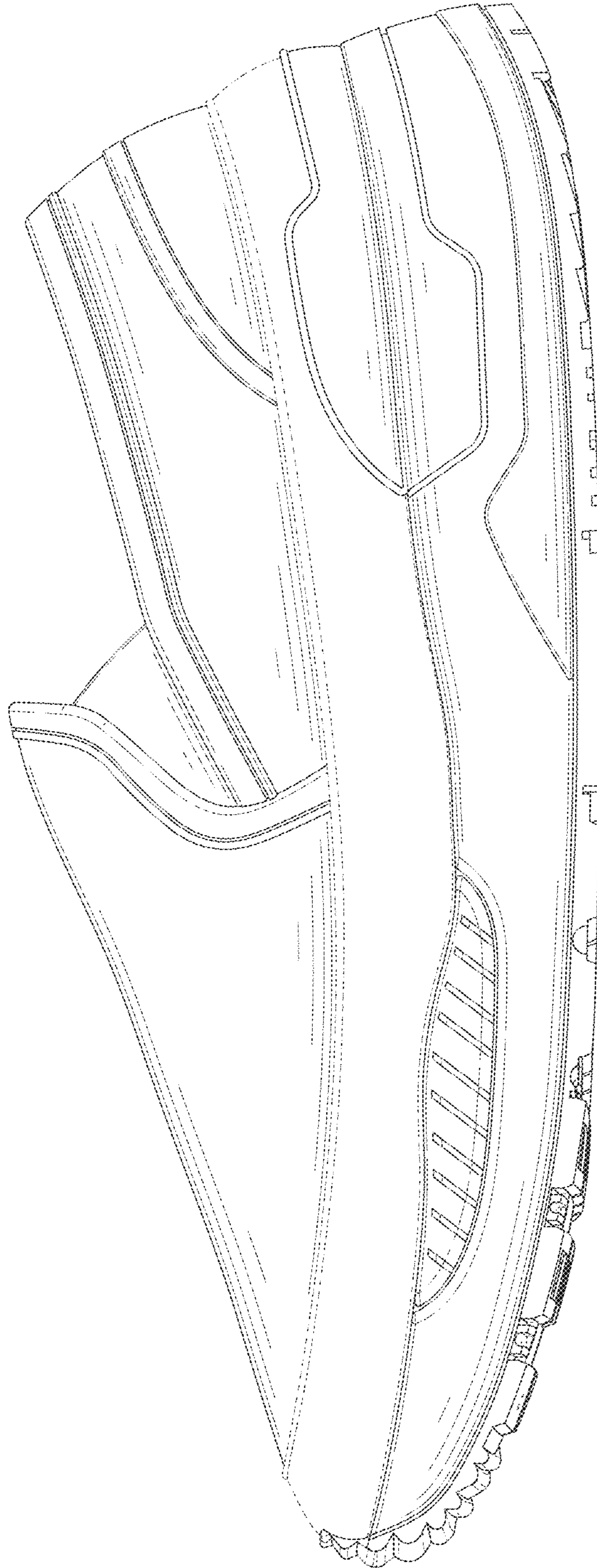


FIG. 6

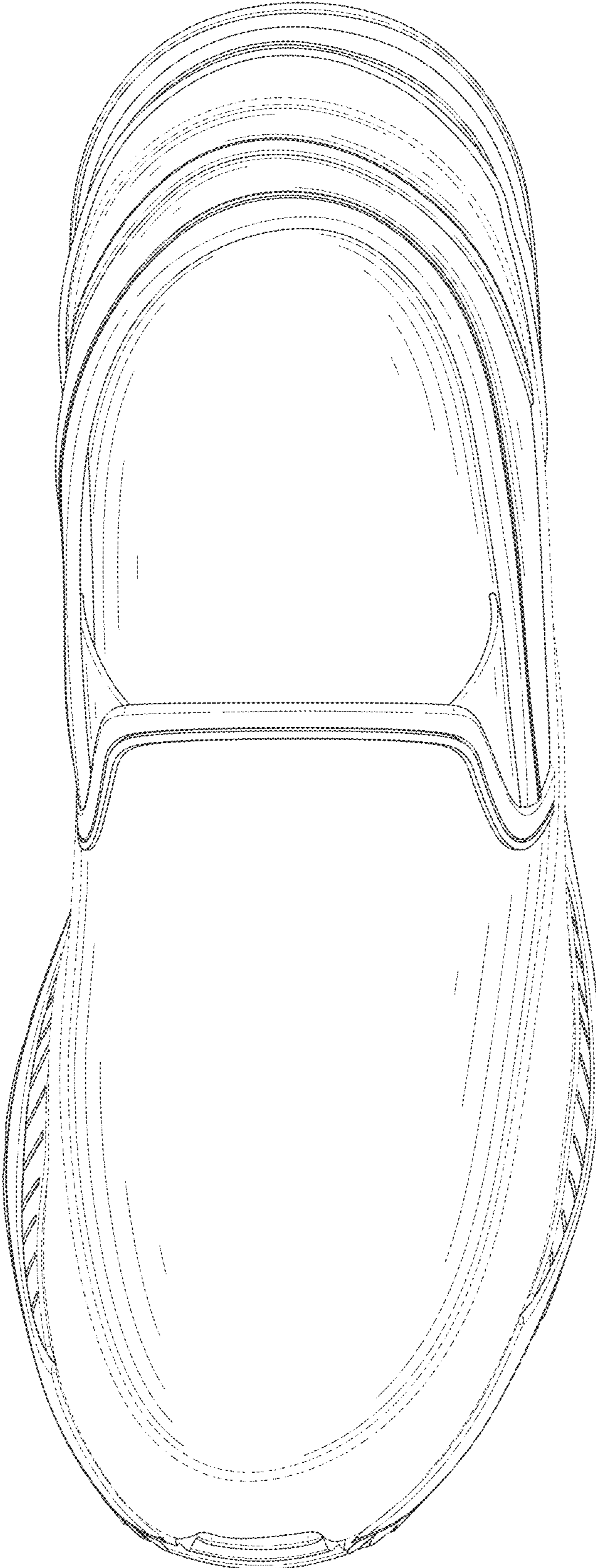


FIG. 7

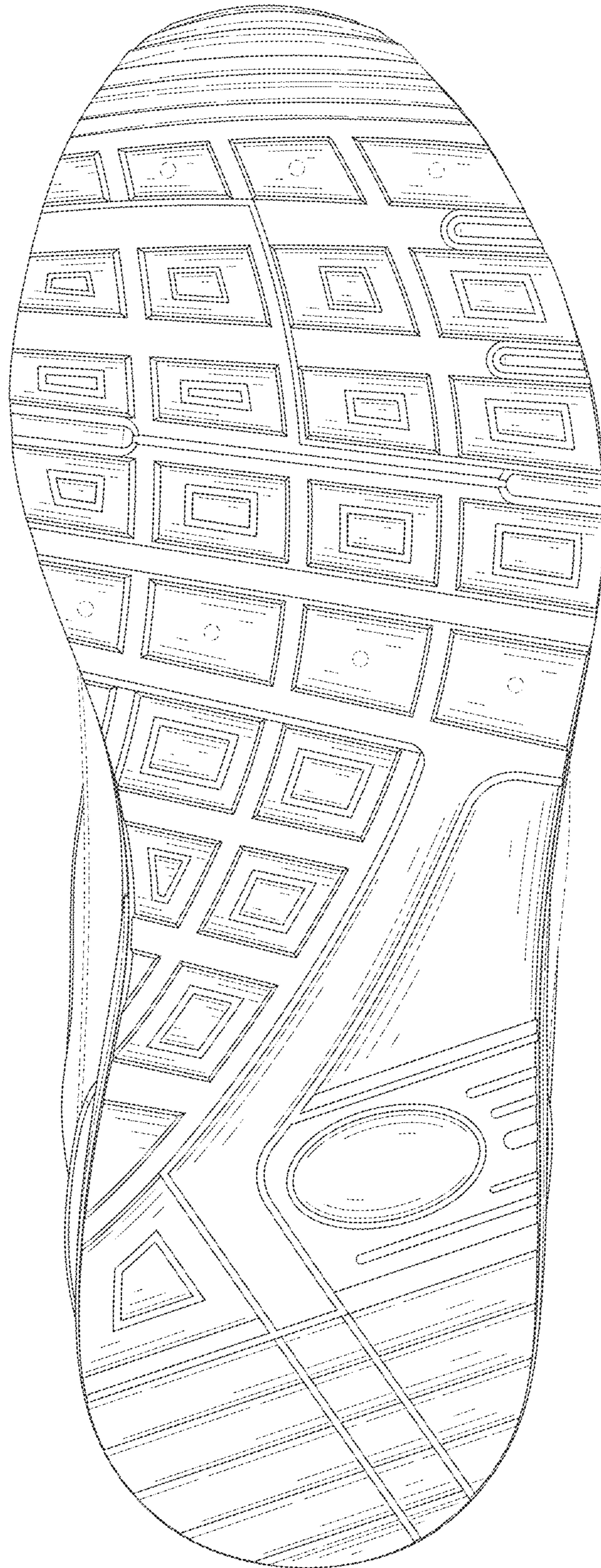


FIG. 8

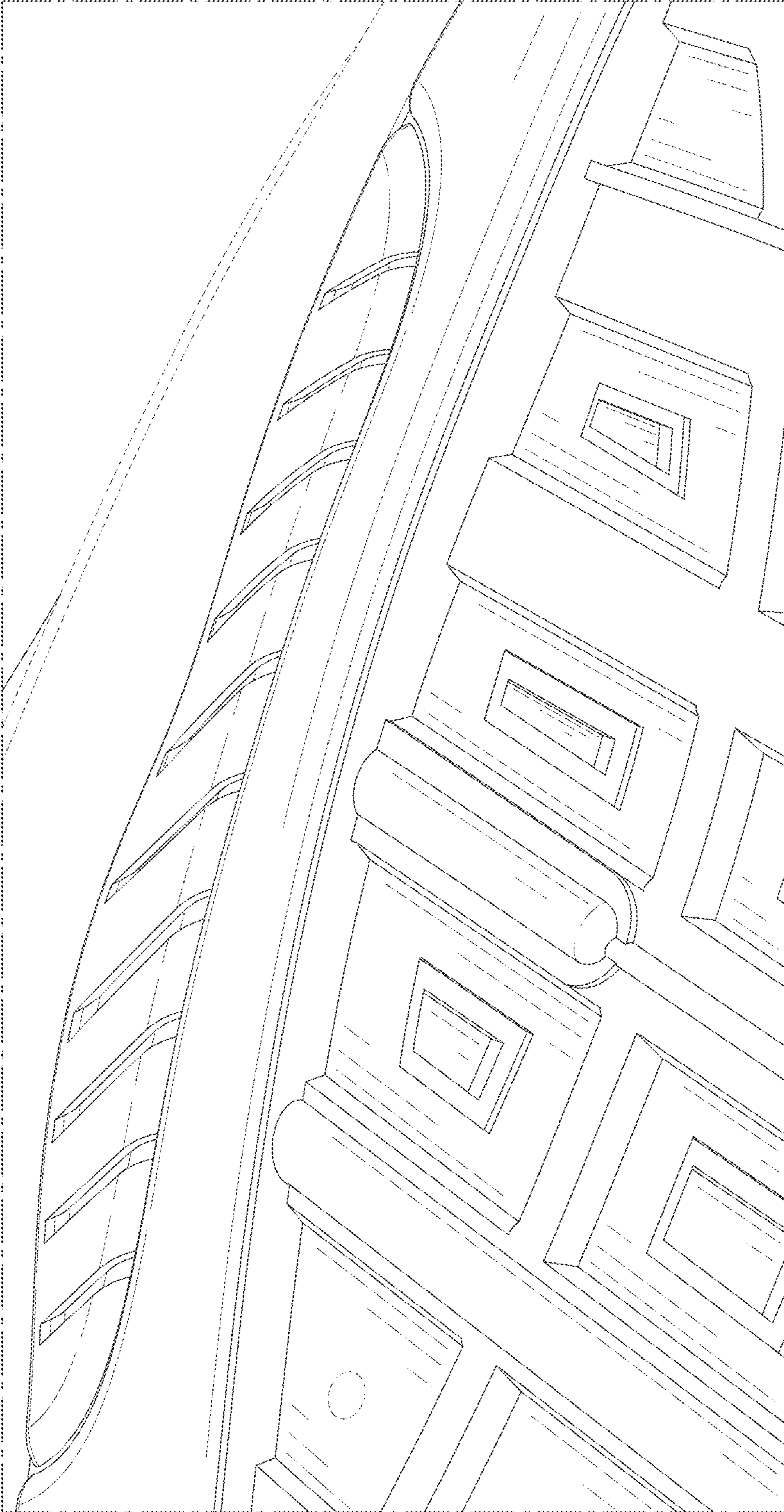


FIG. 9