



US00D984102S

(12) **United States Design Patent**
O'Brien

(10) **Patent No.:** **US D984,102 S**

(45) **Date of Patent:** **** Apr. 25, 2023**

(54) **FOOTWEAR**

(71) Applicant: **Island Surf Co., LLC**, Hanover, MA (US)

(72) Inventor: **Joe O'Brien**, Hanover, MA (US)

(73) Assignee: **Island Surf Co., LLC**, Hanover, MA (US)

(**) Term: **15 Years**

(21) Appl. No.: **29/814,542**

(22) Filed: **Nov. 5, 2021**

(51) **LOC (14) Cl.** **02-04**

(52) **U.S. Cl.**
USPC **D2/923**; D2/953

(58) **Field of Classification Search**
USPC D2/896, 898, 899, 900, 916-919,
D2/923-926, 943, 946-960, 969, 972
CPC A43B 1/0081; A43B 3/12; A43B 3/10;
A43B 3/102; A43B 13/00
See application file for complete search history.

(56) **References Cited**

U.S. PATENT DOCUMENTS

D401,747 S * 12/1998 Cessor D2/951
D578,743 S * 10/2008 Liow D2/896

D598,185 S * 8/2009 McClaskie D2/951
D722,747 S * 2/2015 Kue D2/923
D867,732 S * 11/2019 Matis D2/896
D903,250 S * 12/2020 Zhang D2/903
D942,745 S * 2/2022 Ye D2/903
D959,106 S * 8/2022 Lv D2/947
D960,534 S * 8/2022 Dunham D2/900

* cited by examiner

Primary Examiner — Rashida C. Walshon

(74) *Attorney, Agent, or Firm* — Nutter McClennen & Fish LLP

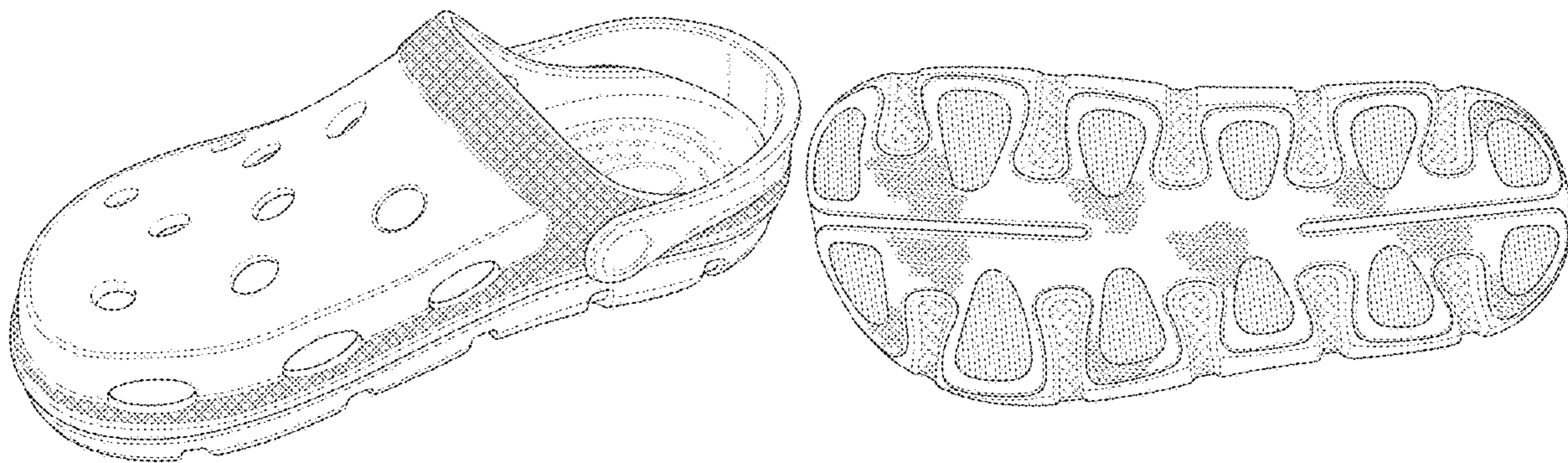
(57) **CLAIM**

The ornamental design for footwear, as shown and described.

DESCRIPTION

FIG. 1 illustrates a perspective view of footwear employing an ornamental design in accordance with the present invention;
FIG. 2 illustrates a top view of the footwear of FIG. 1;
FIG. 3 illustrates a bottom view of the footwear of FIG. 1;
FIG. 4 illustrates a left side view of the footwear of FIG. 1;
FIG. 5 illustrates a right side view of the footwear of FIG. 1;
FIG. 6 illustrates a front view of the footwear of FIG. 1; and,
FIG. 7 illustrates a rear view of the footwear of FIG. 1.
The portions shown in broken lines form no part of the claimed design.

1 Claim, 6 Drawing Sheets



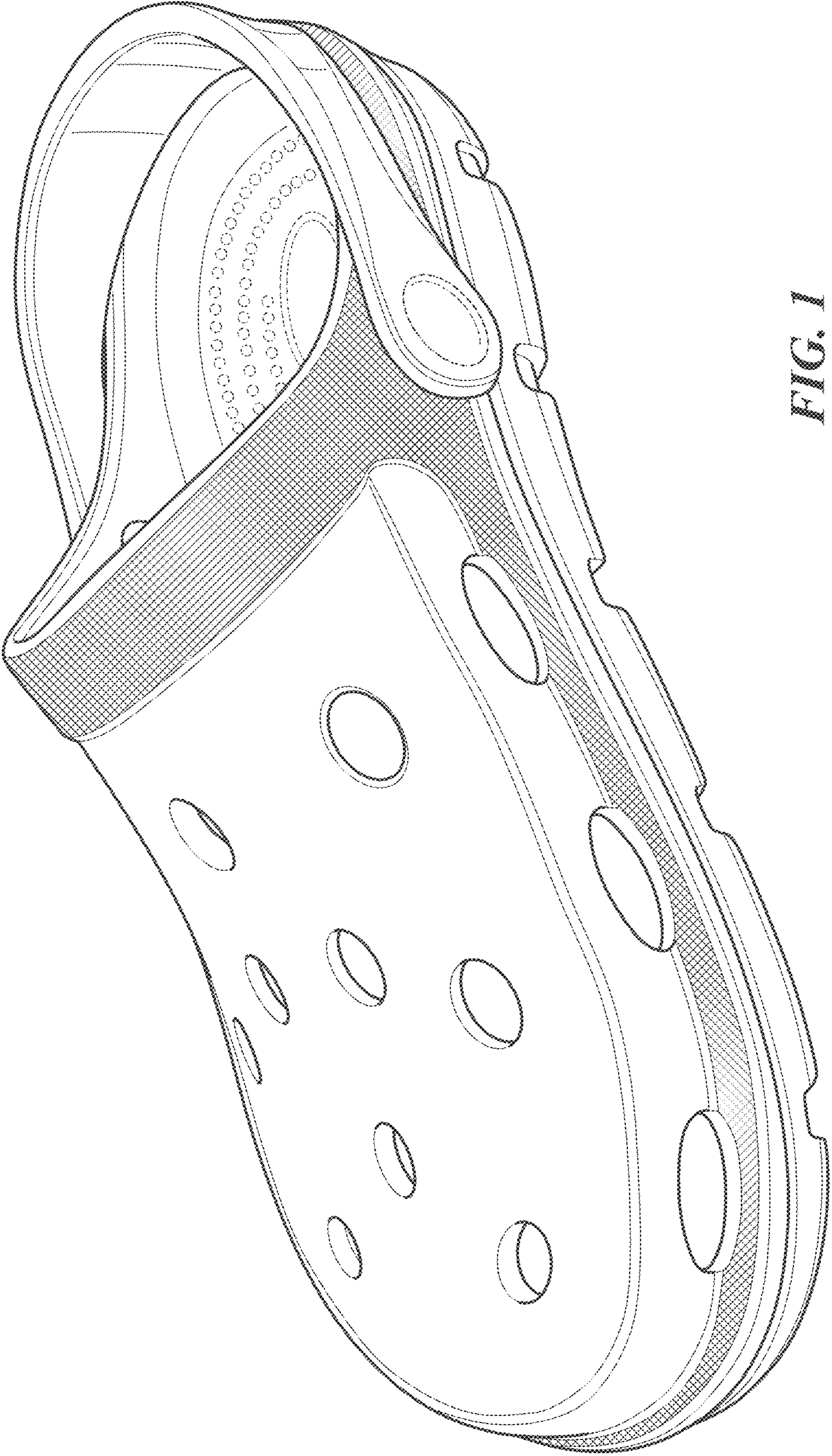


FIG. 1

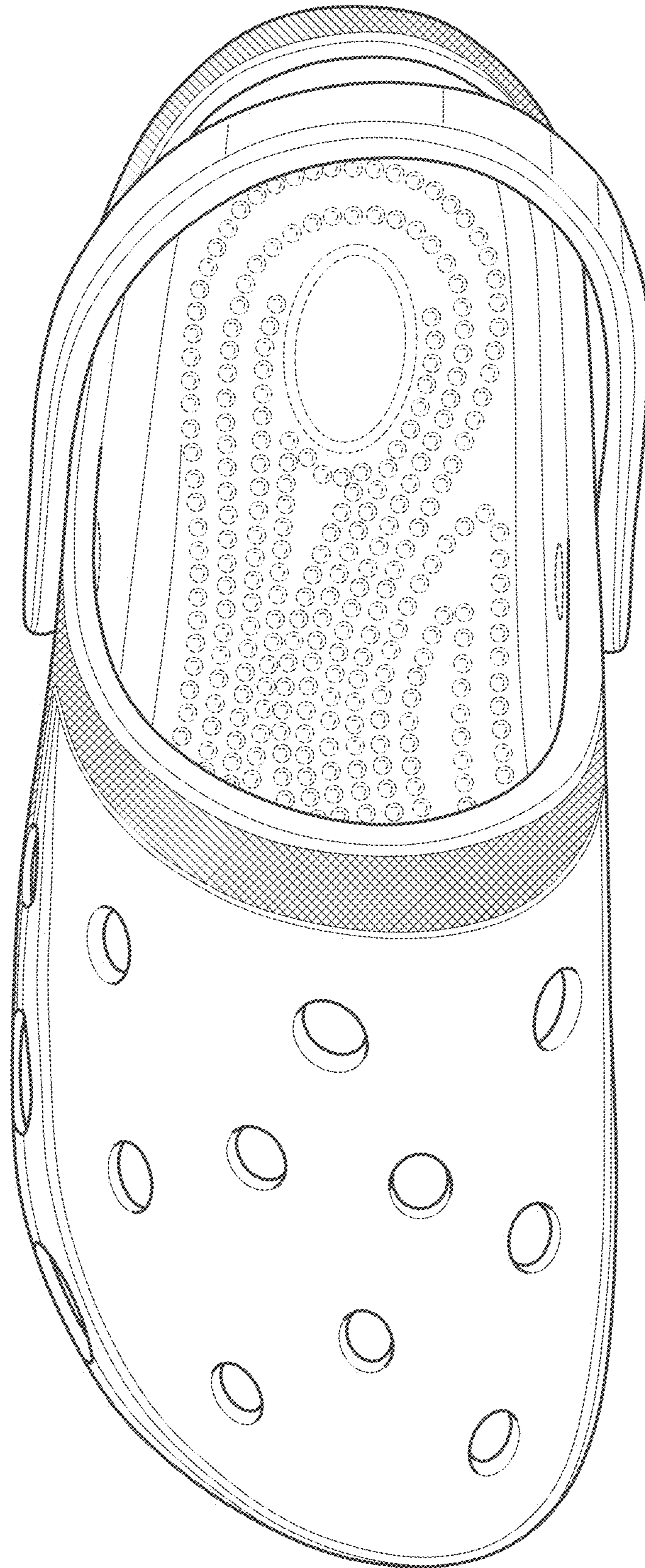


FIG. 2

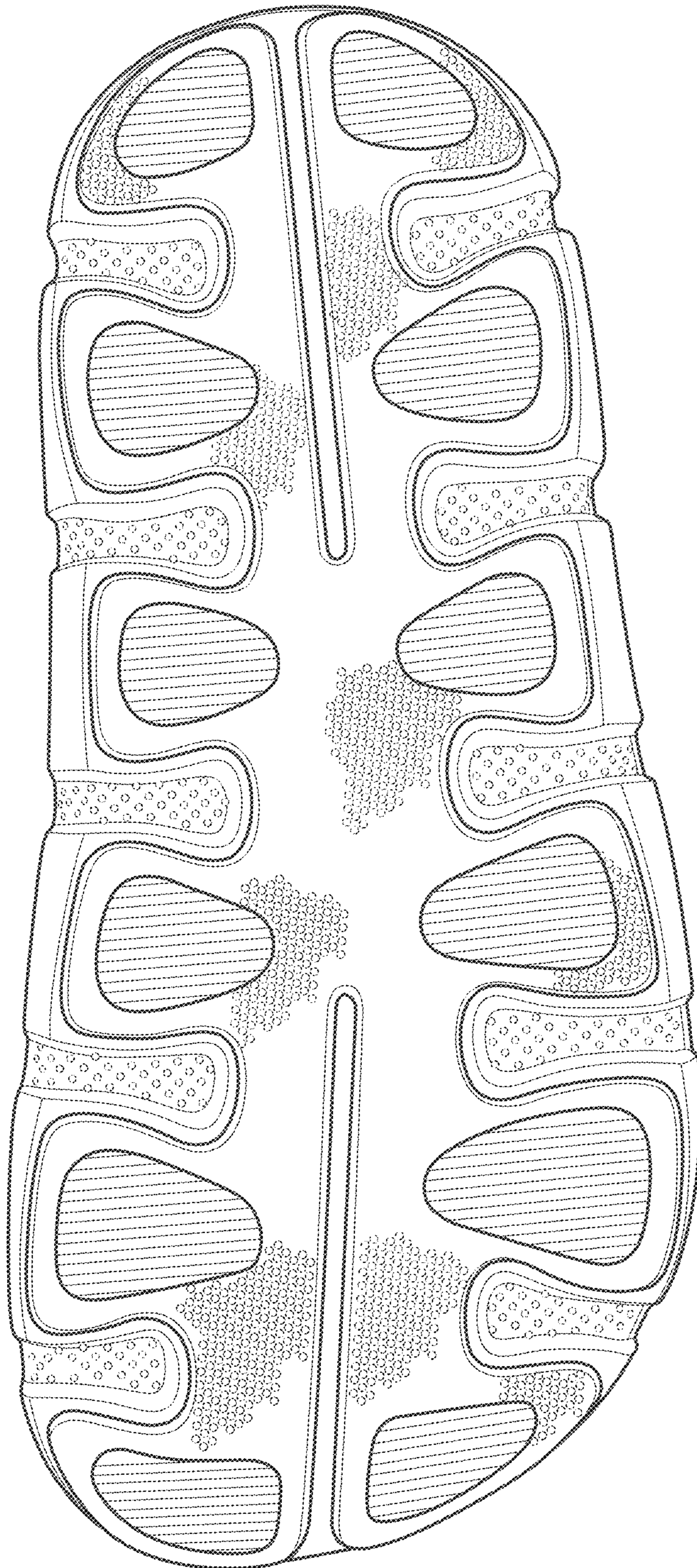


FIG. 3

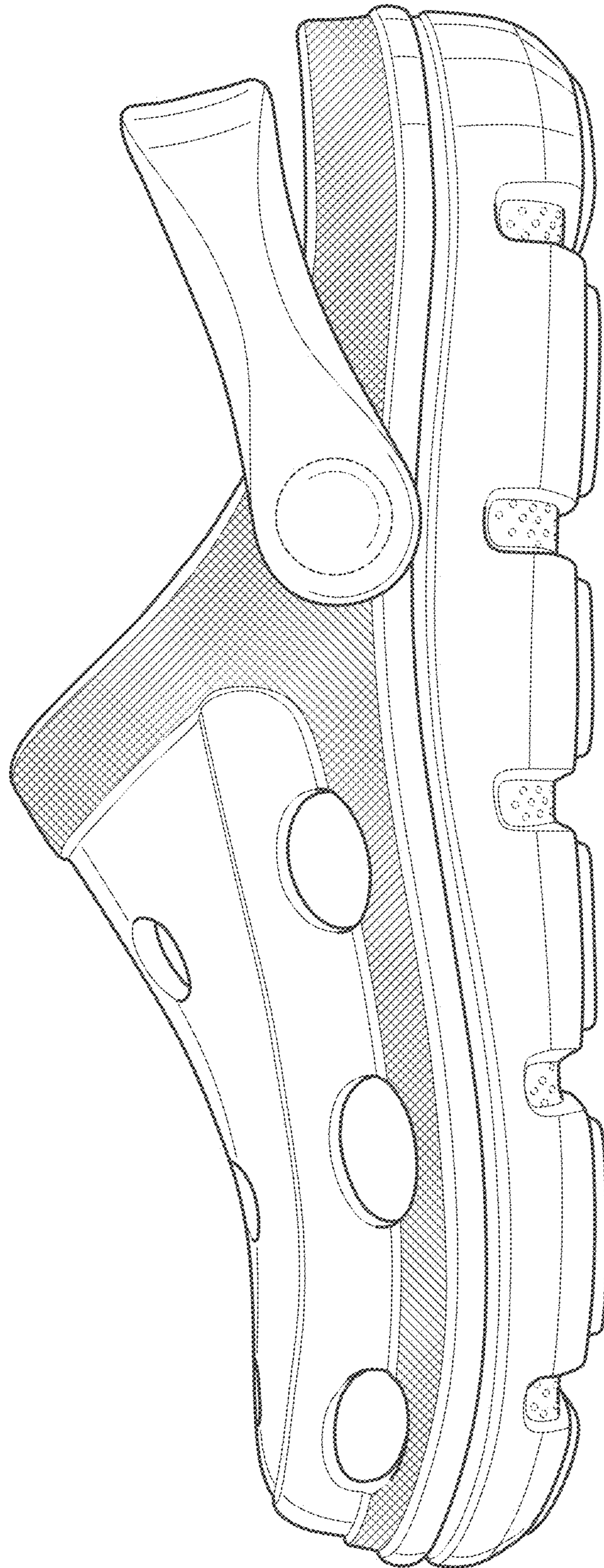


FIG. 4

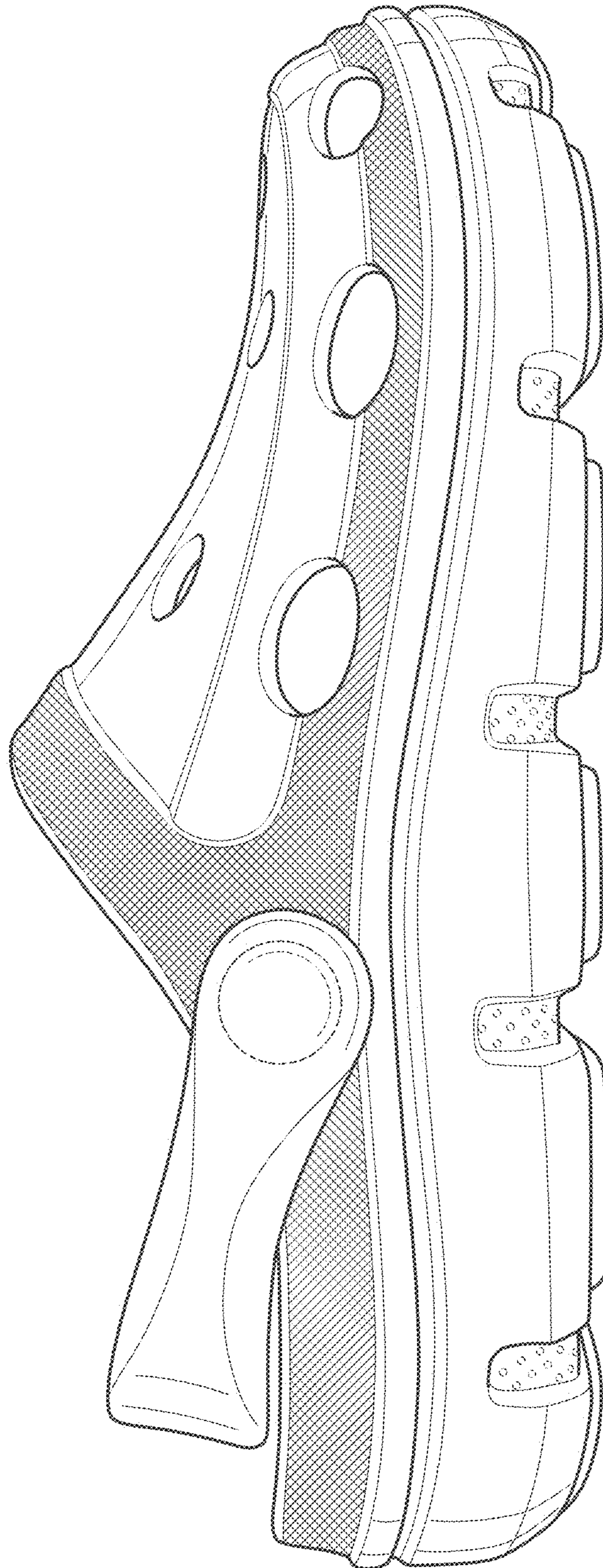


FIG. 5

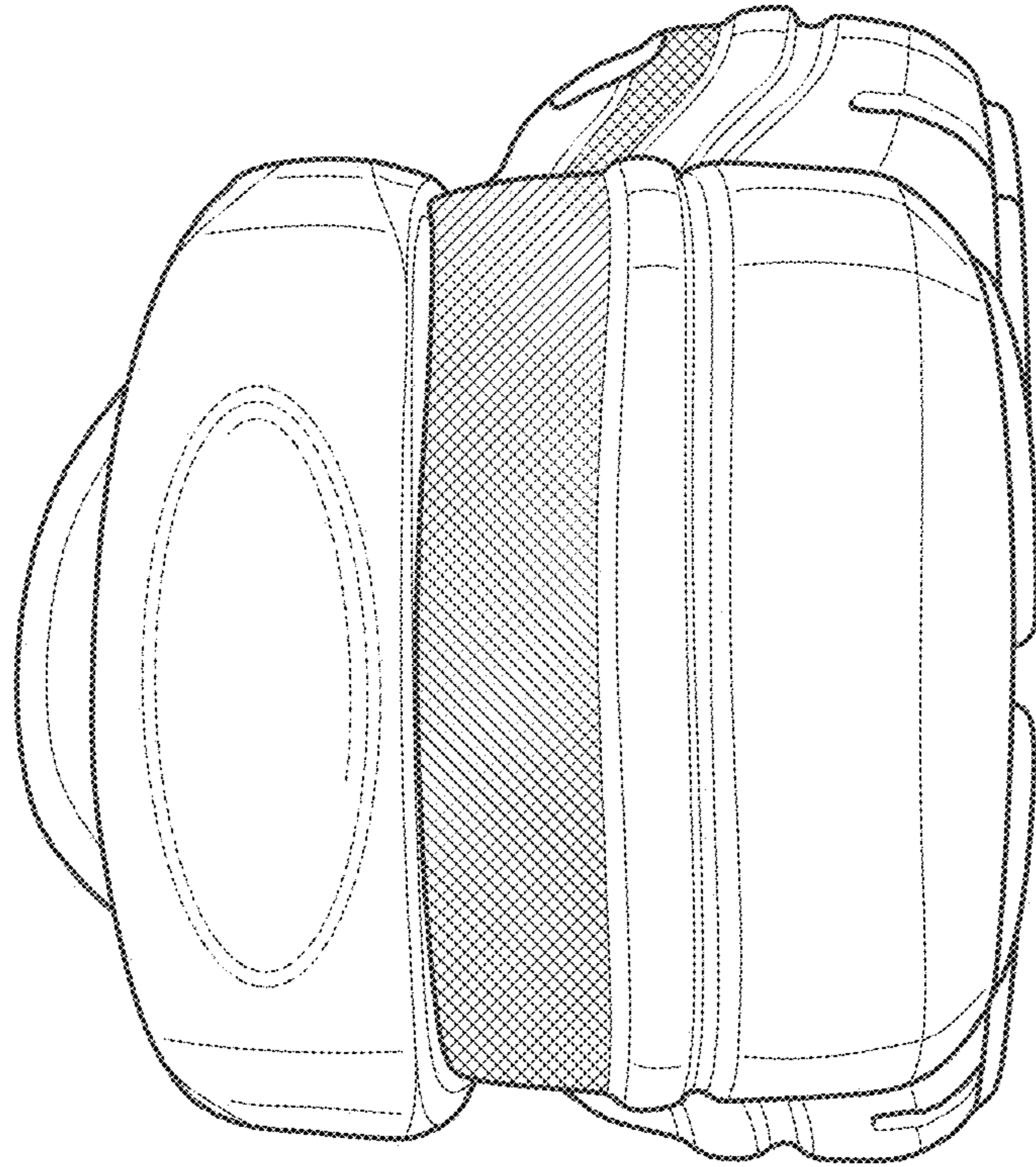


FIG. 7

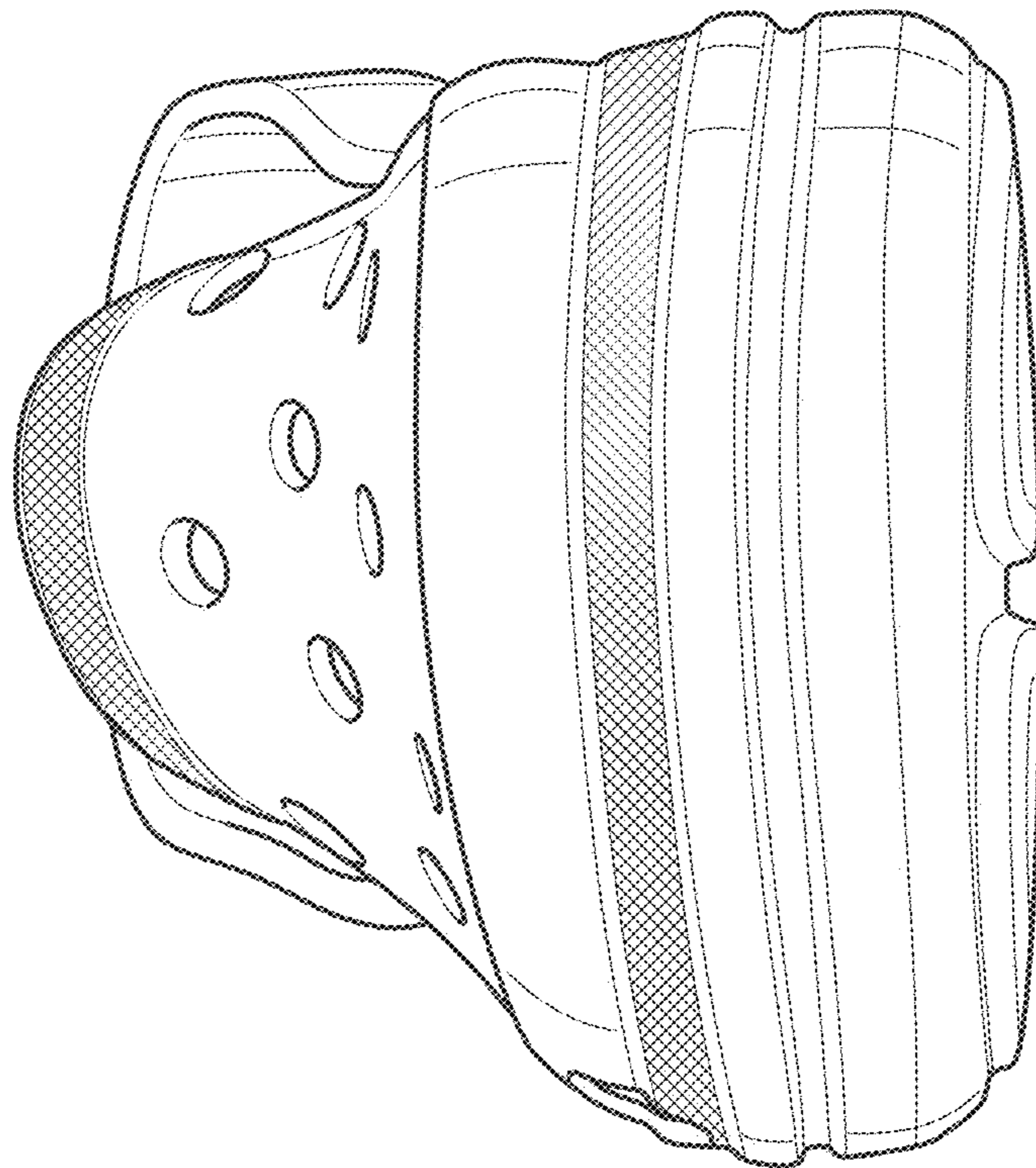


FIG. 6