



US00D984091S

(12) **United States Design Patent**
Chen

(10) **Patent No.:** **US D984,091 S**

(45) **Date of Patent:** **** Apr. 25, 2023**

(54) **WEARABLE BLANKET**

(71) Applicant: **Zhangjiagang Sunrise Textile Co., Ltd., Jiangsu (CN)**

(72) Inventor: **Mujiao Chen, Jiangsu (CN)**

(73) Assignee: **Zhangjiagang Sunrise Textile Co., Ltd., Jiangsu (CN)**

(**) Term: **15 Years**

(21) Appl. No.: **29/797,899**

(22) Filed: **Jul. 2, 2021**

(30) **Foreign Application Priority Data**

Jul. 1, 2021 (EM) 008599773

(51) **LOC (14) Cl.** **02-02**

(52) **U.S. Cl.**
USPC **D2/823**

(58) **Field of Classification Search**
USPC D2/823, 828, 724, 825, 861, 864;
D6/603
CPC A41D 3/08
See application file for complete search history.

(56) **References Cited**

U.S. PATENT DOCUMENTS

- 1,497,685 A * 6/1924 Hoyme A41D 7/008
2/48
- 2,644,948 A * 7/1953 Gutmann A47G 9/086
5/413 R
- 2,967,306 A * 1/1961 Fabanich A41D 3/08
2/87
- D249,826 S * 10/1978 Glaby D2/864
- 5,150,477 A * 9/1992 Elberson A41D 13/1236
2/48
- 5,454,125 A * 10/1995 Ratkowski A47G 9/064
5/419

- 5,457,829 A * 10/1995 Elliott A47G 9/0207
5/490
 - 6,408,462 B1 * 6/2002 Moore A45F 4/02
2/84
 - 7,076,816 B1 * 7/2006 Nielsen A47G 9/062
383/4
 - D527,562 S * 9/2006 Manning D6/603
 - 7,178,185 B1 * 2/2007 Nattler A41D 15/04
2/84
 - 7,424,750 B2 * 9/2008 Kerr A41D 13/1236
2/114
 - D600,884 S * 9/2009 Patton D2/825
- (Continued)

OTHER PUBLICATIONS

Choshome Wearable Blanket with Sleeves and Foot Pocket, posted to aazon.com. Available date: Jun. 18, 2021 [site visited Feb. 9, 2023] Available: <<https://www.amazon.com/Flannel-Wearable-Blanket-Sleeves-Lightweight/dp/B097H8413L?th=1>> (Year: 2021).*

(Continued)

Primary Examiner — Kevin K Rudzinski
(74) *Attorney, Agent, or Firm* — ScienBiziP, P.C.

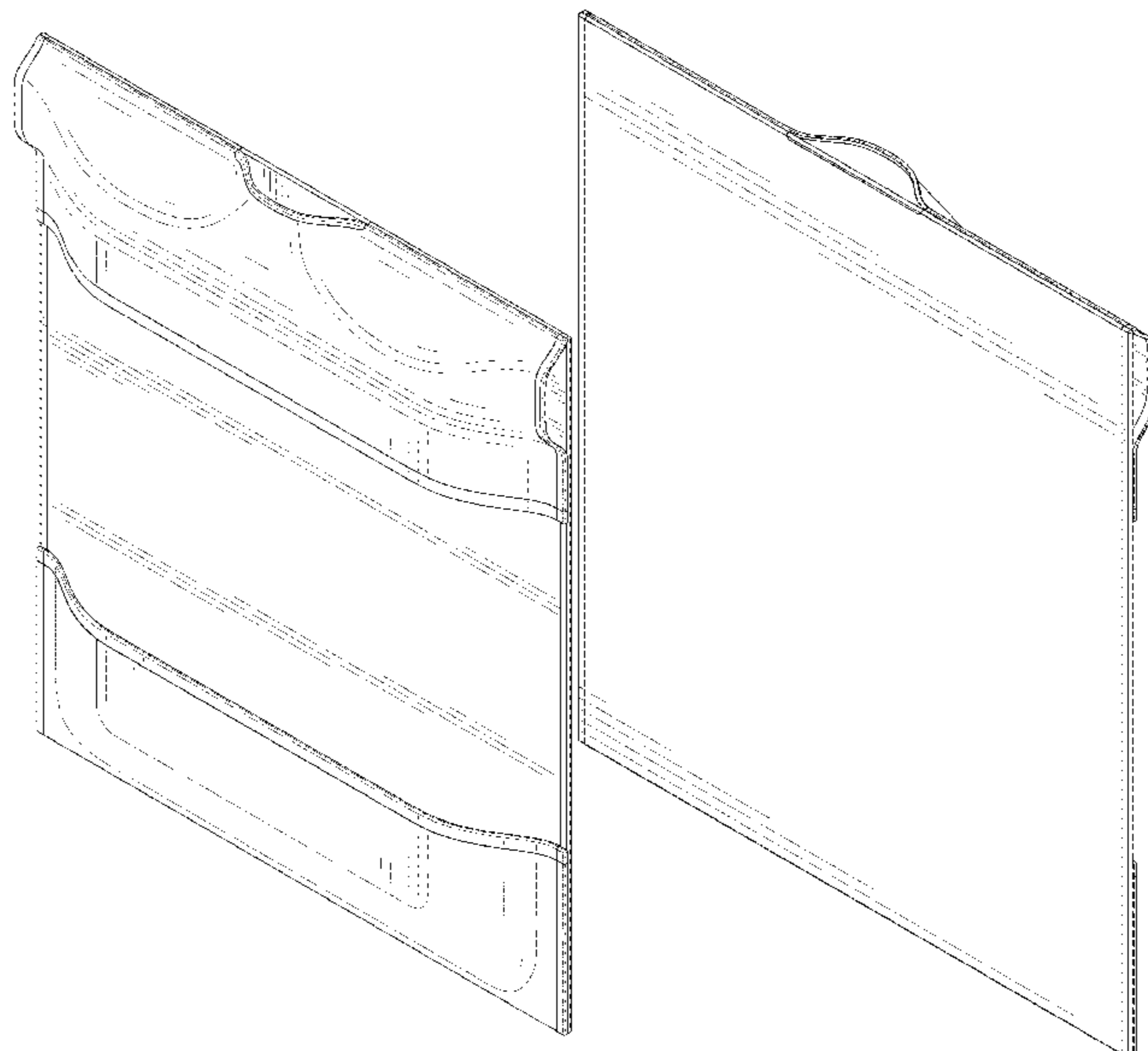
(57) **CLAIM**

The ornamental design for a wearable blanket, as shown and described.

DESCRIPTION

FIG. 1 is a front, right, and top perspective view of a wearable blanket, wherein covers of the wearable blanket are expanded, showing my design.
FIG. 2 is a rear, left, and top perspective view thereof.
FIG. 3 is a front elevation view thereof.
FIG. 4 is a rear elevation view thereof.
FIG. 5 is a left side elevation view thereof.
FIG. 6 is a right side elevation view thereof.
FIG. 7 is a top plan view thereof; and,
FIG. 8 is a bottom plan view thereof.

1 Claim, 8 Drawing Sheets



(56)

References Cited

U.S. PATENT DOCUMENTS

7,587,769 B1 * 9/2009 McDermott A41B 13/06
5/655
D606,286 S * 12/2009 Taylor D2/861
D630,820 S * 1/2011 Wilson D2/826
D658,422 S * 5/2012 Mandell D6/608
D674,167 S * 1/2013 Ehler D2/826
D674,169 S * 1/2013 Taylor D2/864
D681,383 S * 5/2013 Derman D6/603
8,464,374 B1 * 6/2013 Thayer A45F 4/12
5/413 R
D686,802 S * 7/2013 Washington D2/861
D687,210 S * 8/2013 Krafnick D2/720
8,864,544 B2 * 10/2014 Anderman A63H 3/02
D722,421 S * 2/2015 Jackson D2/864
9,095,240 B2 * 8/2015 Bowen A47K 10/02
D792,679 S * 7/2017 Gamble D2/826
9,700,086 B2 * 7/2017 Gamble A41D 15/00
9,763,485 B1 * 9/2017 Weitala A41D 3/08
D839,546 S * 2/2019 Noiberg D2/826
10,231,560 B2 * 3/2019 Carlile A47G 9/062
D855,355 S * 8/2019 McClellan-Miller D6/603
D856,032 S * 8/2019 Hindley D6/603
10,477,906 B2 * 11/2019 Mangnall-Schwarz
A41D 27/10
10,722,056 B2 * 7/2020 Thomas A47G 9/066
D897,634 S * 10/2020 Jiles D2/823
D911,673 S * 3/2021 McManus D2/826
D912,931 S * 3/2021 Yan D2/724
D912,941 S * 3/2021 Yan D2/825
D922,734 S * 6/2021 Thomas D2/825
11,051,562 B2 * 7/2021 Rundle A41D 3/08

D932,135 S * 10/2021 Ngan D2/719
D932,738 S * 10/2021 Rundle D2/825
D955,696 S * 6/2022 Hironaka A41D 27/202
D2/823
2004/0237167 A1 * 12/2004 Curry A41D 3/08
2/88
2008/0066229 A1 * 3/2008 Auer A41D 3/08
2/84
2010/0059558 A1 * 3/2010 Robinson A47G 9/066
2/88
2010/0146680 A1 * 6/2010 Cuoco A41D 3/08
2/84
2012/0005801 A1 * 1/2012 Parr A41D 3/08
2/84
2016/0362024 A1 * 12/2016 Simon A47D 15/00
2019/0208936 A1 * 7/2019 Thomas A47G 9/0223
2019/0254410 A1 * 8/2019 DuVall A41D 3/08
2020/0196685 A1 * 6/2020 Williams A47G 9/083
2021/0315299 A1 * 10/2021 Hironaka A41D 3/08

OTHER PUBLICATIONS

Fleece Wearable Blanket with Sleeves and Kangaroo Pocket by Tirrinia, posted to amazon.com. Available date: Sep. 13, 2019 [site visited Feb. 9, 2023 [site visited Feb. 9, 2023] Available: <<https://www.amazon.com/Wearable-Blanket-Sleeves-Kangaroo-Pocket/dp/B07X9RMQ9Y?th=1>> (Year: 2019).*

Wearable Blanket by Songr, posted to amazon.co.jp. Available date: Oct. 30, 2020 [site visited Feb. 9, 2023] Available: <https://www.amazon.co.jp/-/en/Wearable-Blanket-Conditioned-Protect-Cold-Tann_120Cmx90Cm/dp/B08M9RGTSF> (Year: 2020).*

* cited by examiner

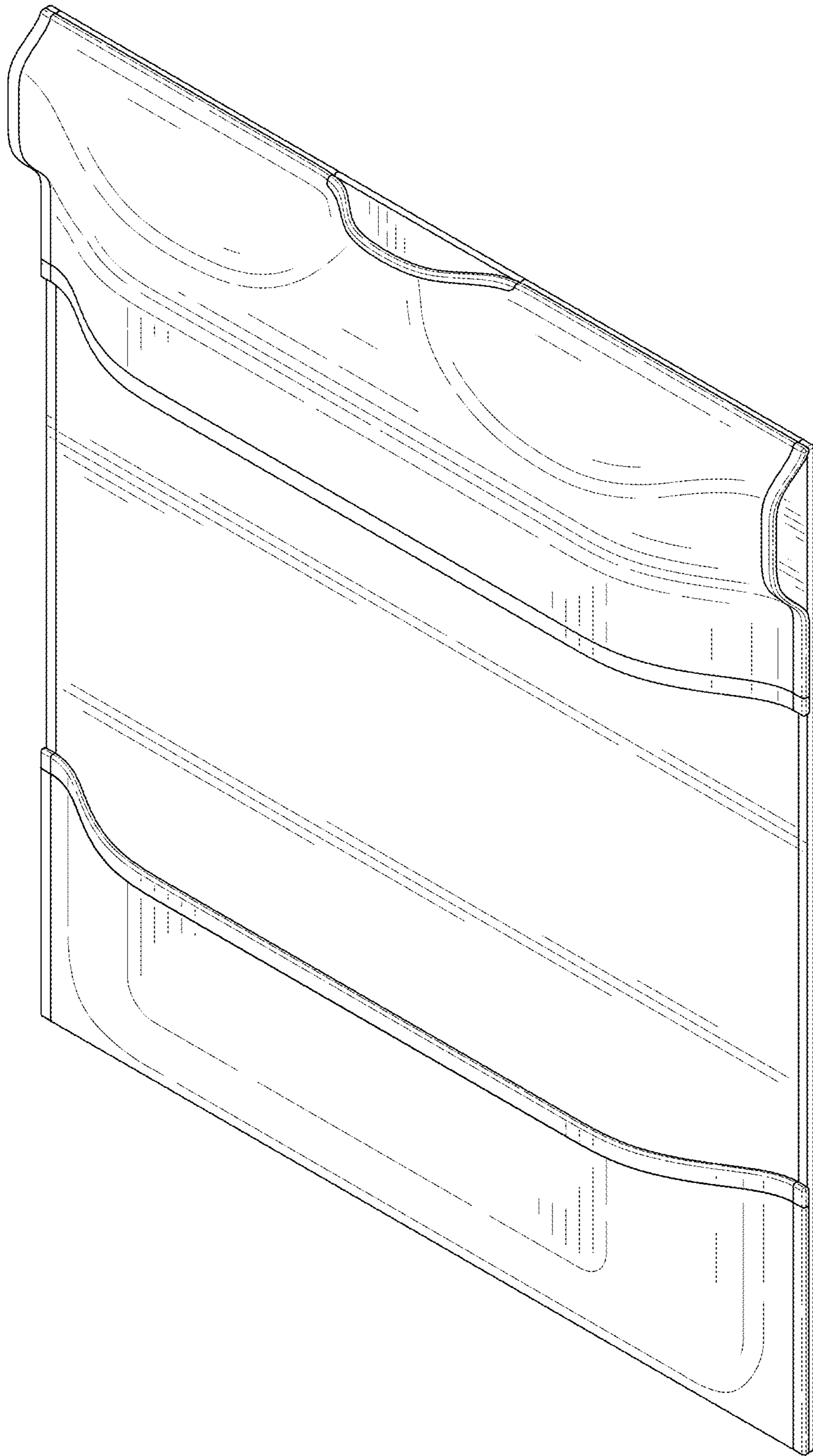


FIG. 1

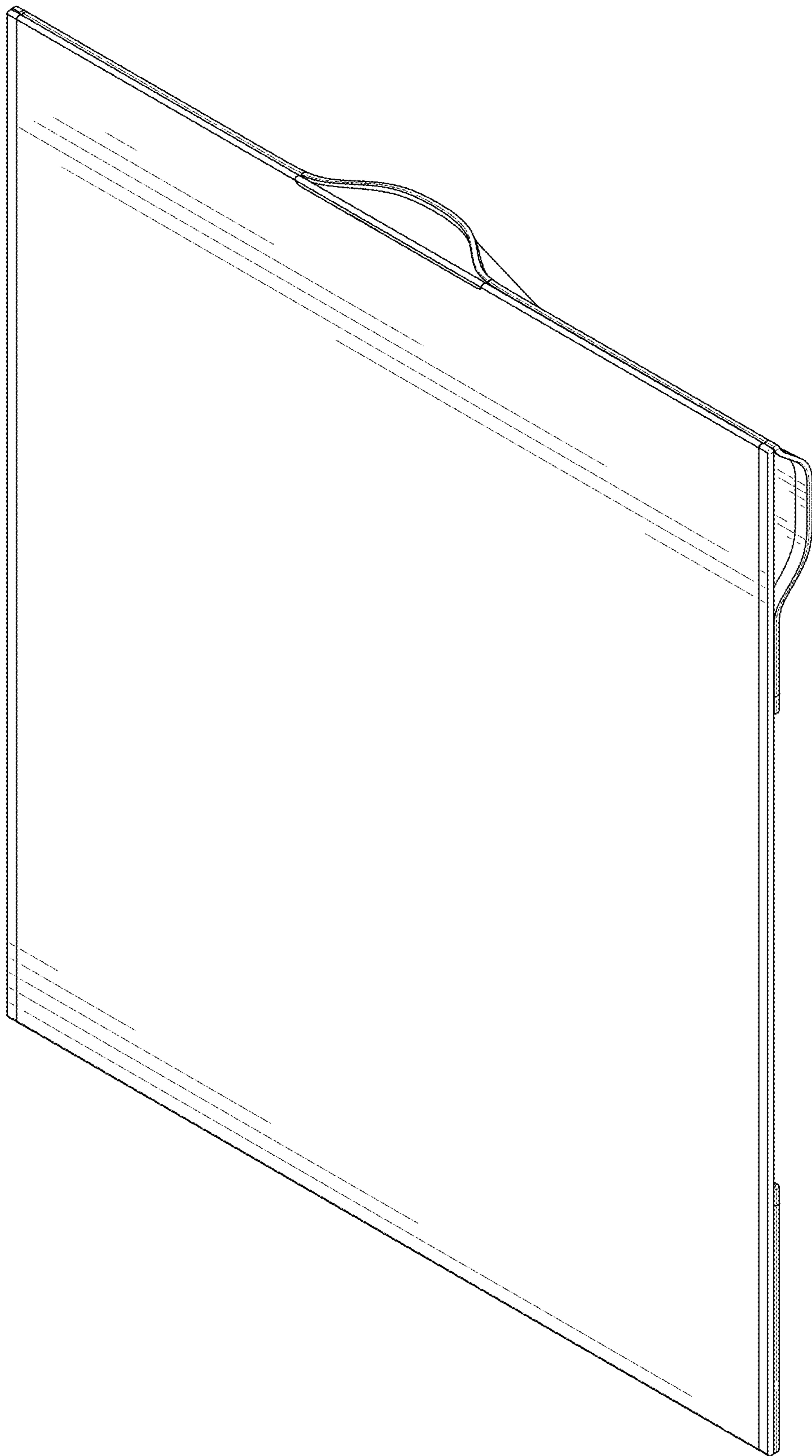


FIG. 2

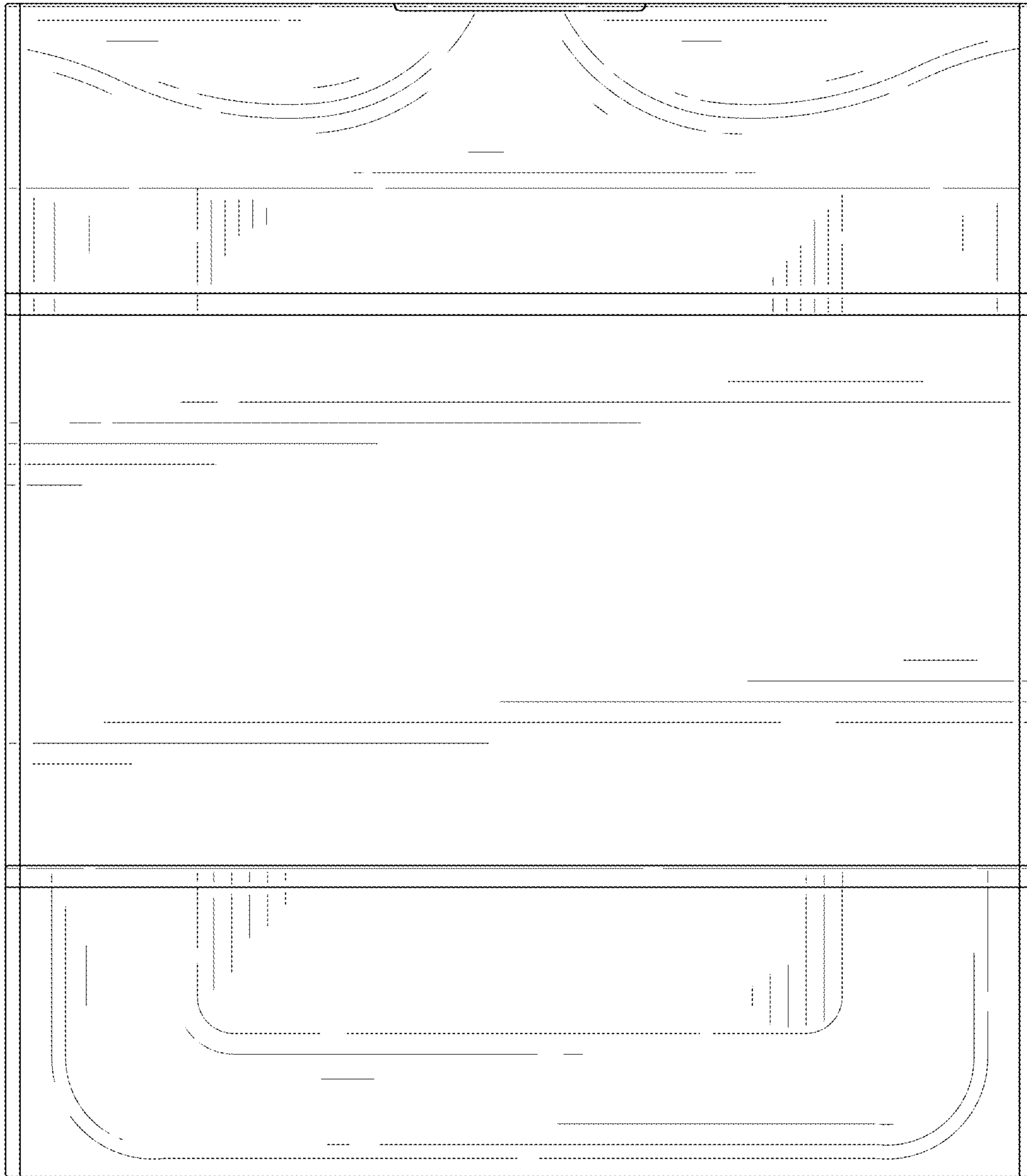


FIG. 3

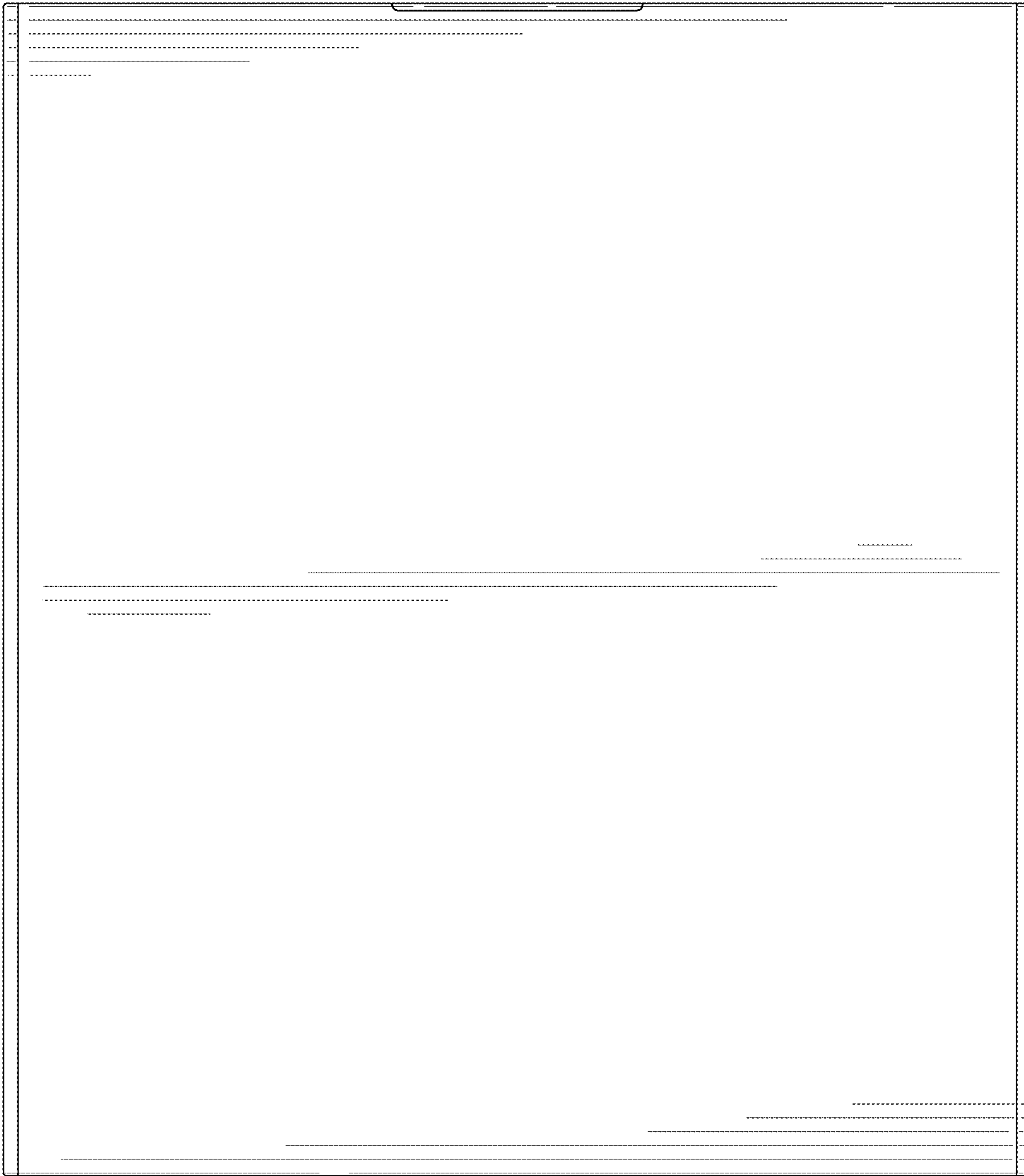


FIG. 4



FIG. 5



FIG. 6

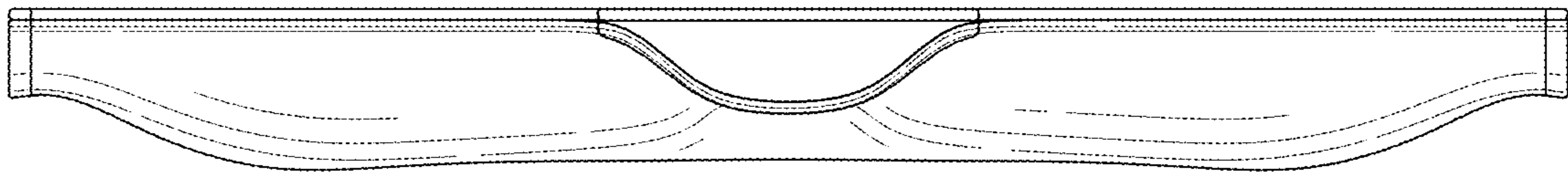


FIG. 7

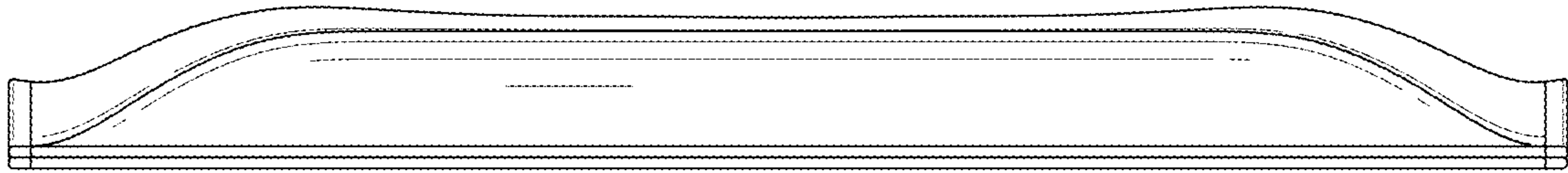


FIG. 8