



US00D984090S

(12) **United States Design Patent** (10) **Patent No.:** **US D984,090 S**
Xiao (45) **Date of Patent:** **** Apr. 25, 2023**

(54) **PANTS**

(71) Applicant: **GUANGZHOU ROYAL WOLF STANDARD DENIM GARMENT LTD**, Guangzhou (CN)

(72) Inventor: **Xiuzhu Xiao**, Ganzhou (CN)

(73) Assignee: **GUANGZHOU ROYAL WOLF STANDARD DENIM GARMENT LTD**, Guangzhou (CN)

(**) Term: **15 Years**

(21) Appl. No.: **29/783,223**

(22) Filed: **May 12, 2021**

(51) **LOC (14) Cl.** **02-02**

(52) **U.S. Cl.**
USPC **D2/742**

(58) **Field of Classification Search**
USPC D2/731, 732, 738, 739, 742, 746, 748
CPC A41D 13/065; A41D 1/06; A41D 13/0543;
A41D 13/0562; A41D 13/0537; A41D
13/0525; A41D 13/1254; A41D 1/065;
A41D 1/062
See application file for complete search history.

(56) **References Cited**

U.S. PATENT DOCUMENTS

D280,251 S *	8/1985	Forbes	D2/742
D469,946 S *	2/2003	Hansen	D2/742
D513,659 S *	1/2006	Collier	D2/742
D589,680 S *	4/2009	Escoto	D2/742
D641,127 S *	7/2011	Zarabi	D2/742
D663,922 S *	7/2012	Karik	D2/742
D705,519 S *	5/2014	Meyer	D2/742
D729,498 S *	5/2015	Davis	D2/742

(Continued)

FOREIGN PATENT DOCUMENTS

EM	003471713-0001	*	11/2016
EM	005326592-0001	*	6/2018
GB	9003471713-0001	*	11/2016

OTHER PUBLICATIONS

W.R.UP Denim, posting date not available [online], [retrieved Dec. 5, 2022]. Retrieved from internet, <https://freddystore.com/products/new-wr-up-shaping-effect-mid-rise-skinny-dark-blue-denim-blue-stitching> (Year: 2022).*

Women WannaBetaButt 3 Button Skinny Jean, posting date not available [online], [retrieved Dec. 5, 2022]. Retrieved from internet, <https://royaltyforme.com/products/women-wannabettabutt-3-button-skinny-jean-made-from-recycled-fibers-wp998680> (Year: 2022).*

(Continued)

Primary Examiner — Jonathan J Han

Assistant Examiner — Caitlin MacKenzie Williams

(74) *Attorney, Agent, or Firm* — Nitin Kaushik

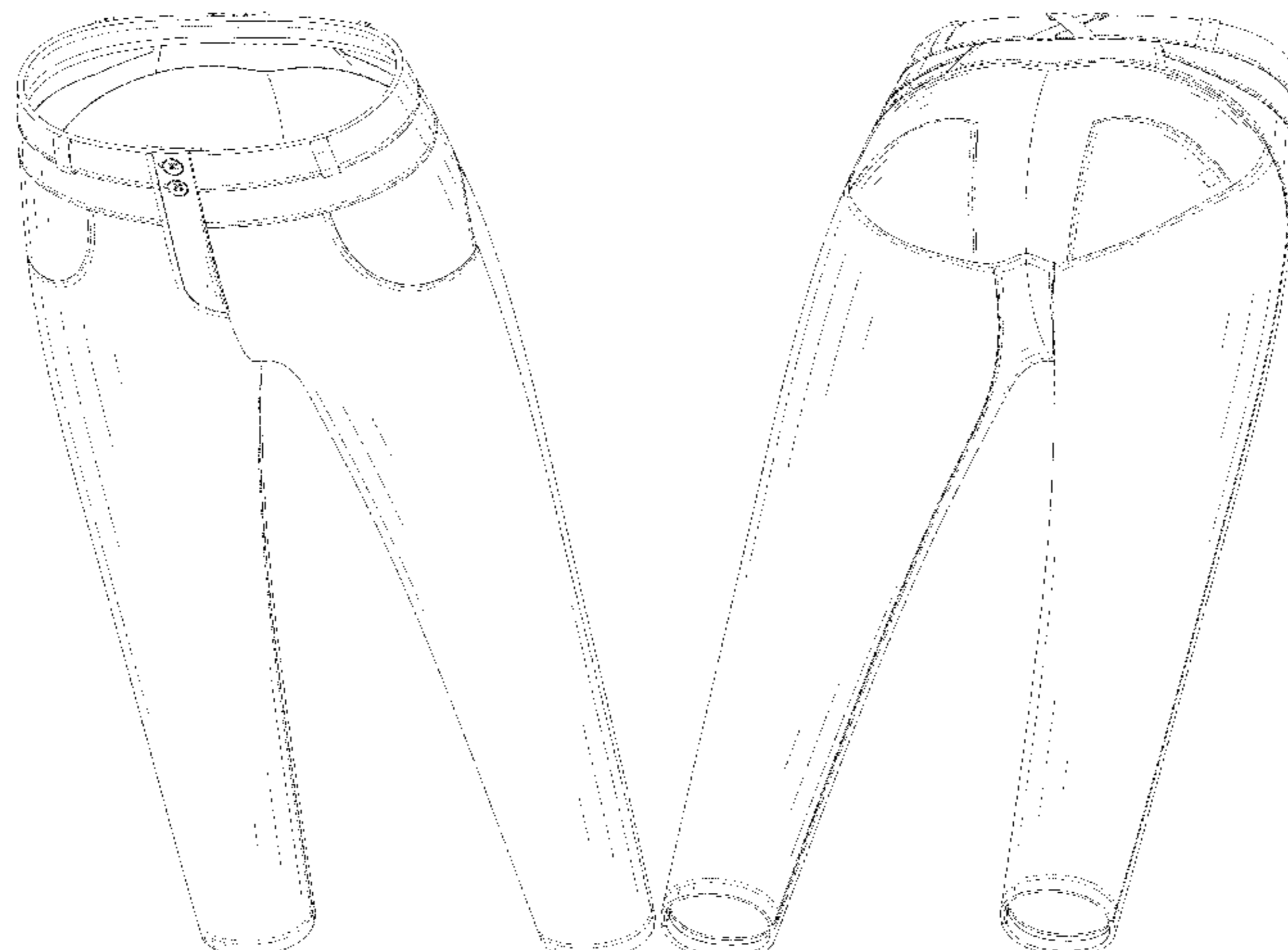
(57) **CLAIM**

The ornamental design for pants, as shown and described.

DESCRIPTION

FIG. 1 is a perspective view of a first embodiment of pants showing my new design;
FIG. 2 is another perspective view thereof;
FIG. 3 is a front elevational view thereof;
FIG. 4 is a rear elevational view thereof;
FIG. 5 is a left side elevational view thereof;
FIG. 6 is a right side elevational view thereof;
FIG. 7 is a top plan view thereof;
FIG. 8 is a bottom plan view thereof;
FIG. 9 is a perspective view of a second embodiment of the pants showing my new design;
FIG. 10 is another perspective view thereof;
FIG. 11 is a front elevational view thereof;
FIG. 12 is a rear elevational view thereof;
FIG. 13 is a left side elevational view thereof;
FIG. 14 is a right side elevational view thereof;
FIG. 15 is a top plan view thereof; and,
FIG. 16 is a bottom plan view thereof.
The broken lines in the drawings depict portions of the pants that form no part of the claimed design.

1 Claim, 16 Drawing Sheets



(56)

References Cited

U.S. PATENT DOCUMENTS

D730,622	S *	6/2015	Davis	D2/742
D731,149	S *	6/2015	Davis	D2/742
D731,751	S *	6/2015	Davis	D2/742
D732,273	S *	6/2015	Roberts	D2/742
D751,793	S *	3/2016	Davis	D2/742
D756,600	S *	5/2016	Mamiye	D2/742
D768,359	S *	10/2016	Lago	D2/742
D778,032	S *	2/2017	Lago	D2/742
D788,408	S *	6/2017	Lago	D2/742
D921,329	S *	6/2021	Liu	D2/731
D960,508	S *	8/2022	Lucas	D2/742
2013/0305425	A1 *	11/2013	Zarabi	A41D 1/06 2/69
2014/0150166	A1 *	6/2014	Hall	A41D 1/06 2/227
2014/0310854	A1 *	10/2014	Kianmahd	A41F 9/02 2/237

OTHER PUBLICATIONS

Shascullfites Female Denim Pants Butt Lift Jeans, posting date not available [online], [retrieved Dec. 5, 2022]. Retrieved from internet, <https://www.ebay.com/itm/334408935634> (Year: 2022).*

Buy Shascullfites Melody White High Waist Pants, posting date not available [online], [retrieved Dec. 5, 2022]. Retrieved from internet, <https://www.joom.com/en/products/6180e8bec6b4db01d34fab4e> (Year: 2022).*

ASOS's "Triple Waistband" Jean Proves the Weird Jean Trend Isn't Dead, posted Feb. 12, 2018 [online], [retrieved Dec. 16, 2022]. Retrieved from internet, <https://www.teenvogue.com/story/asos-triple-waistband-jean-weird-trend> (Year: 2018).*

Kyoetsu Japanese Hakama Pants for Men, posted Mar. 27, 2017 [online], [retrieved Dec. 16, 2022]. Retrieved from internet, <https://www.amazon.com/KYOETSU-Japanese-Hakama-Riding-Umanori/dp/B06XW1VF92?th=1> (Year: 2017).*

* cited by examiner



FIG. 1



FIG. 2

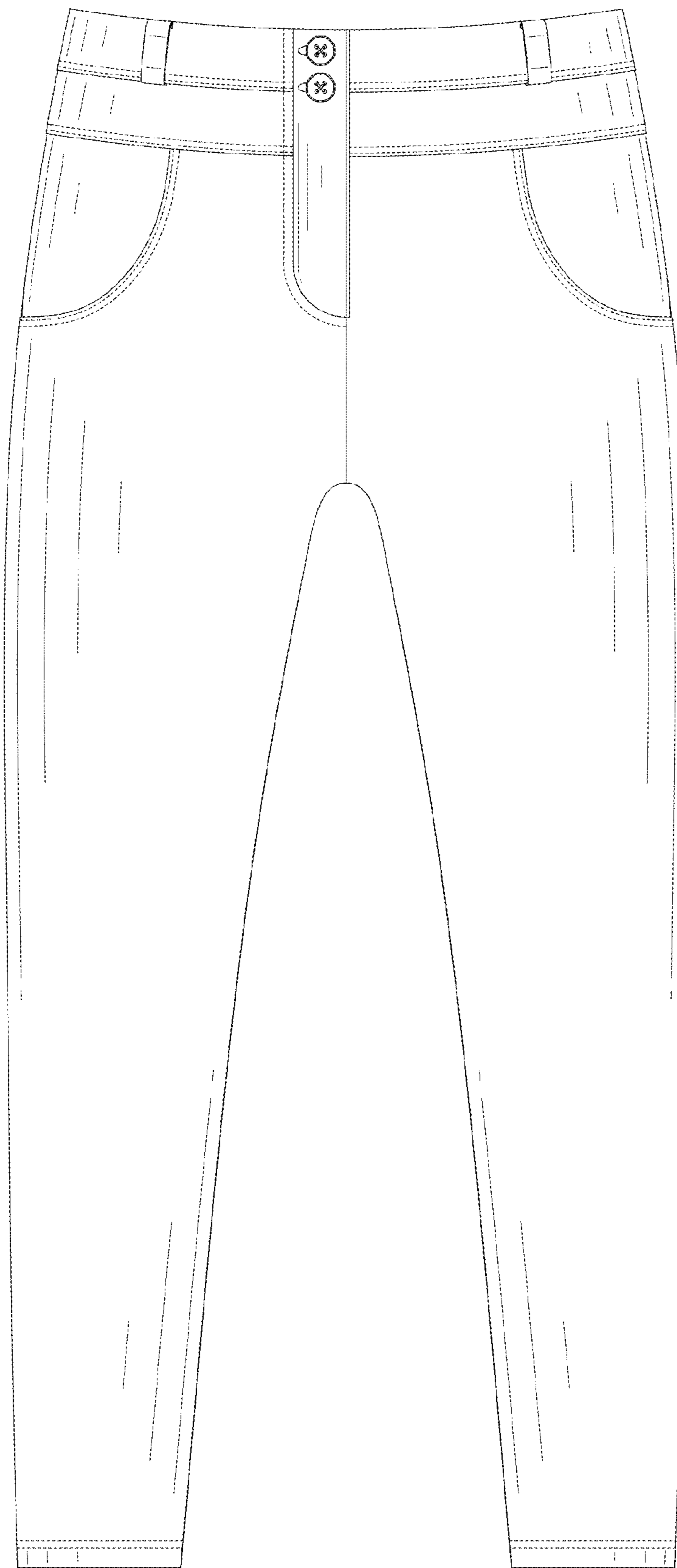


FIG. 3

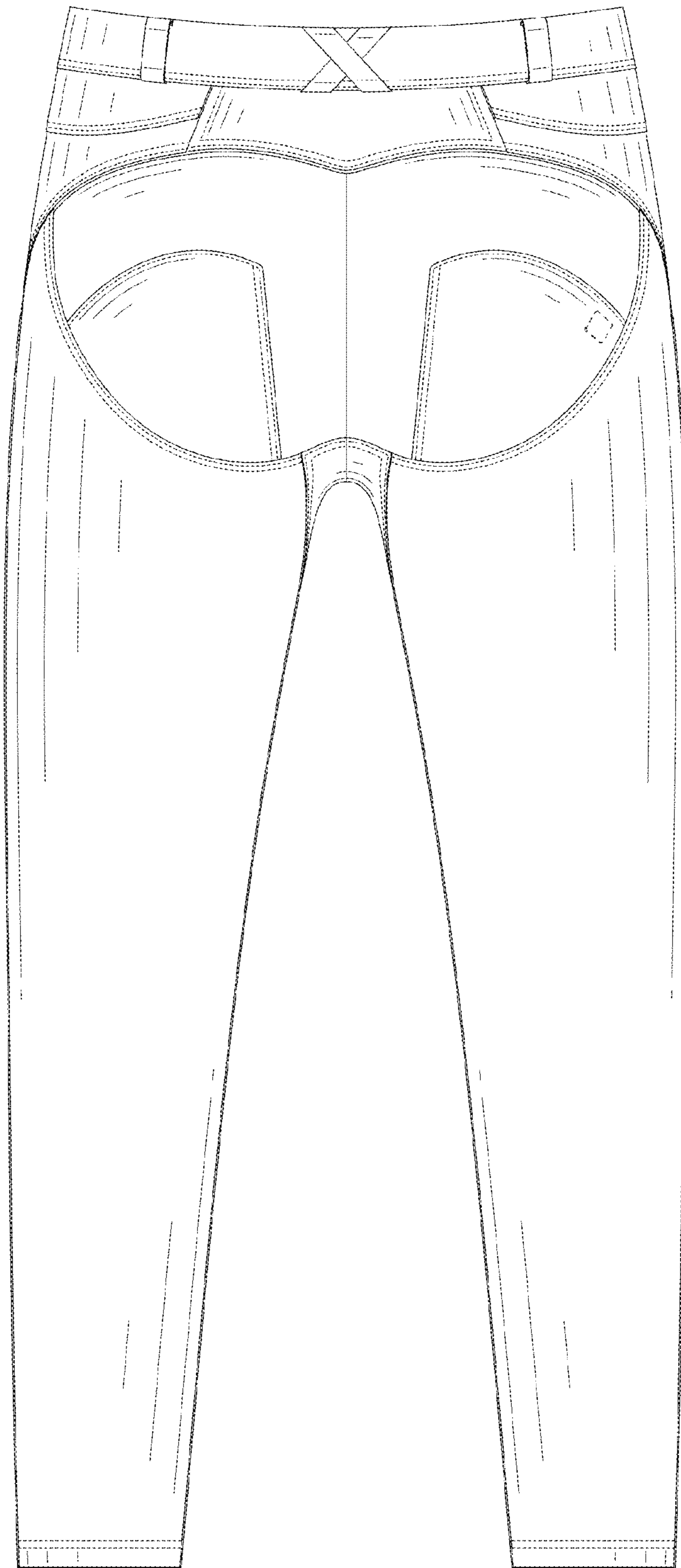


FIG. 4

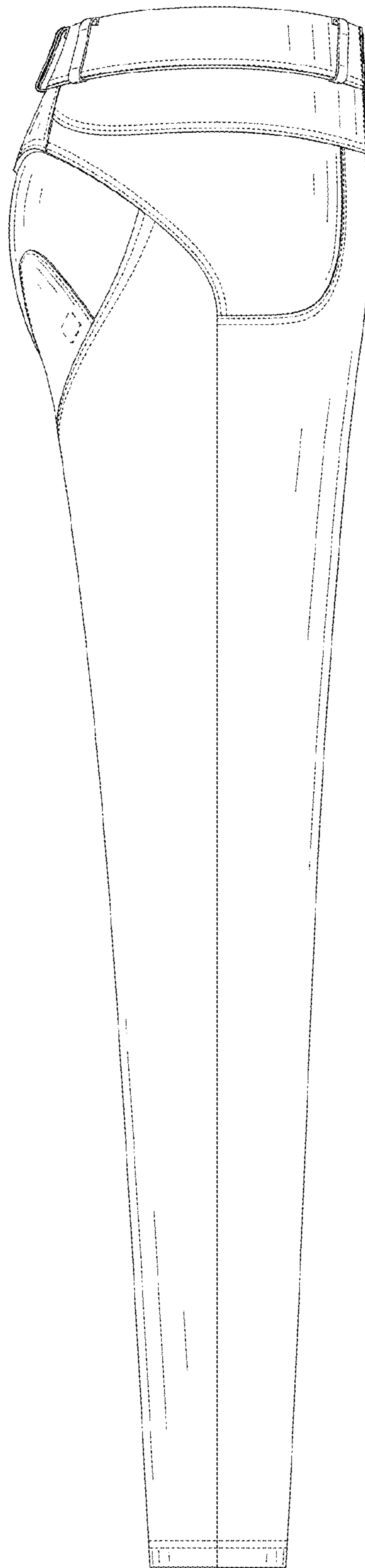


FIG. 5

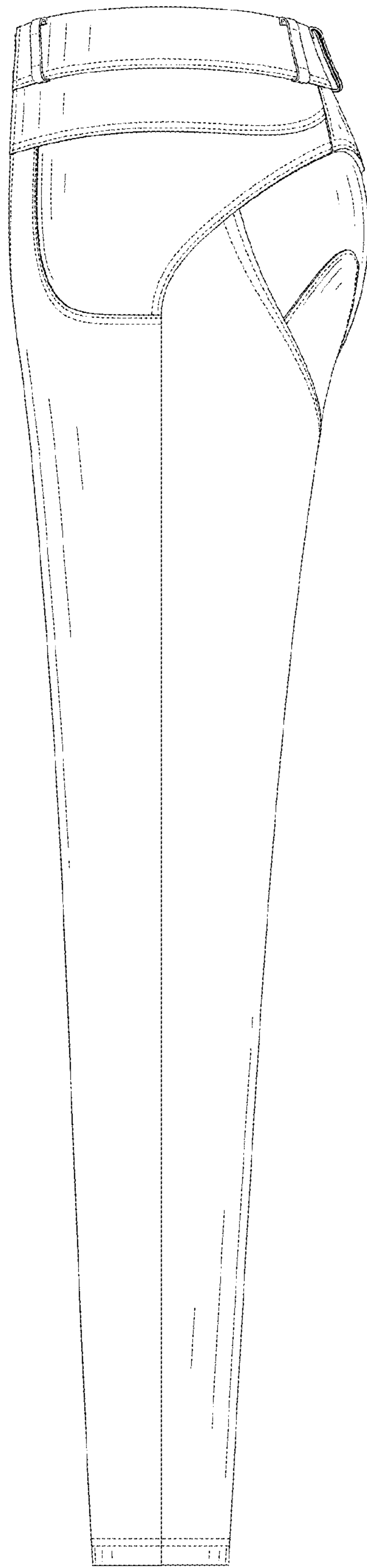


FIG. 6

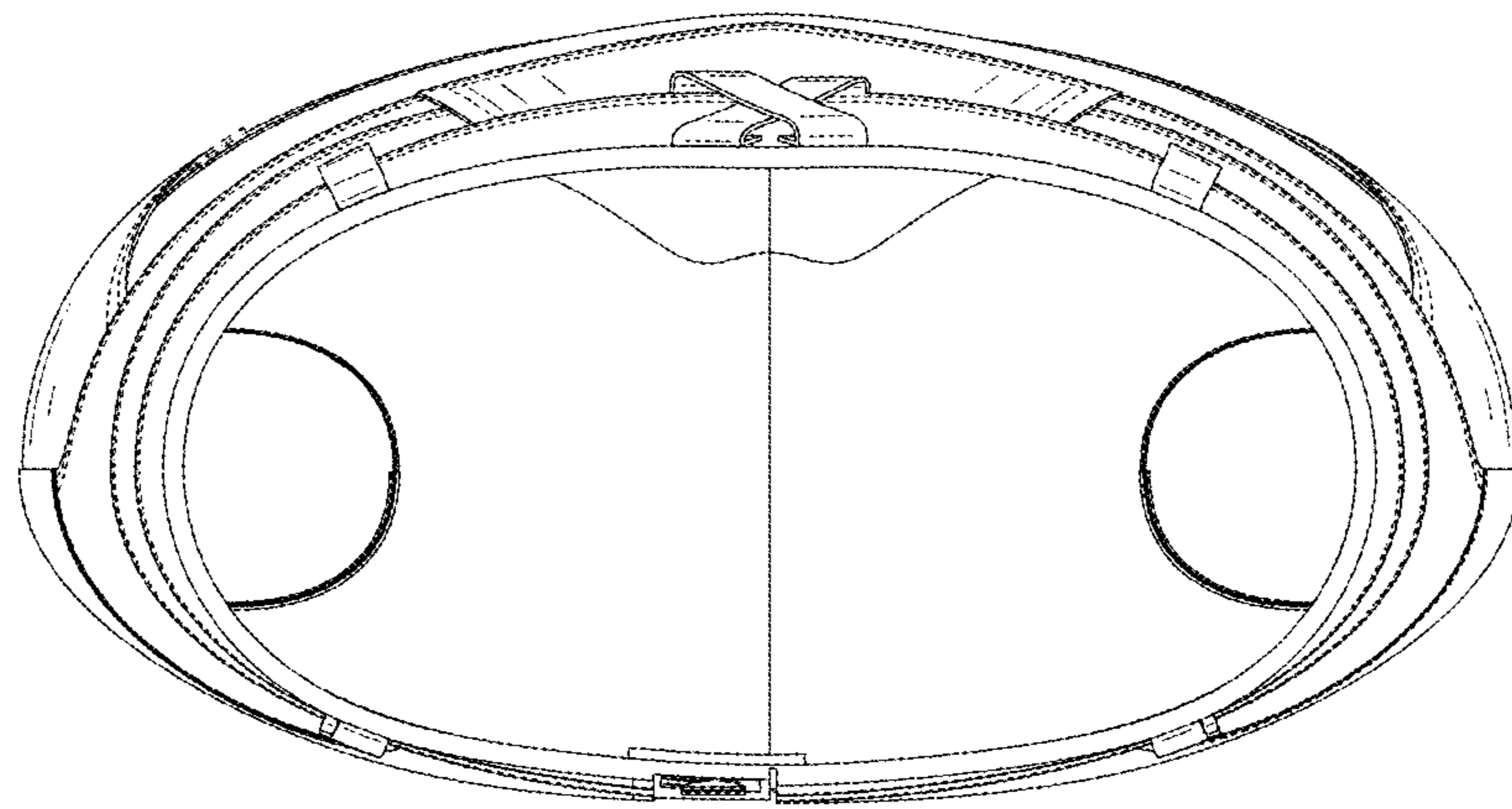


FIG. 7

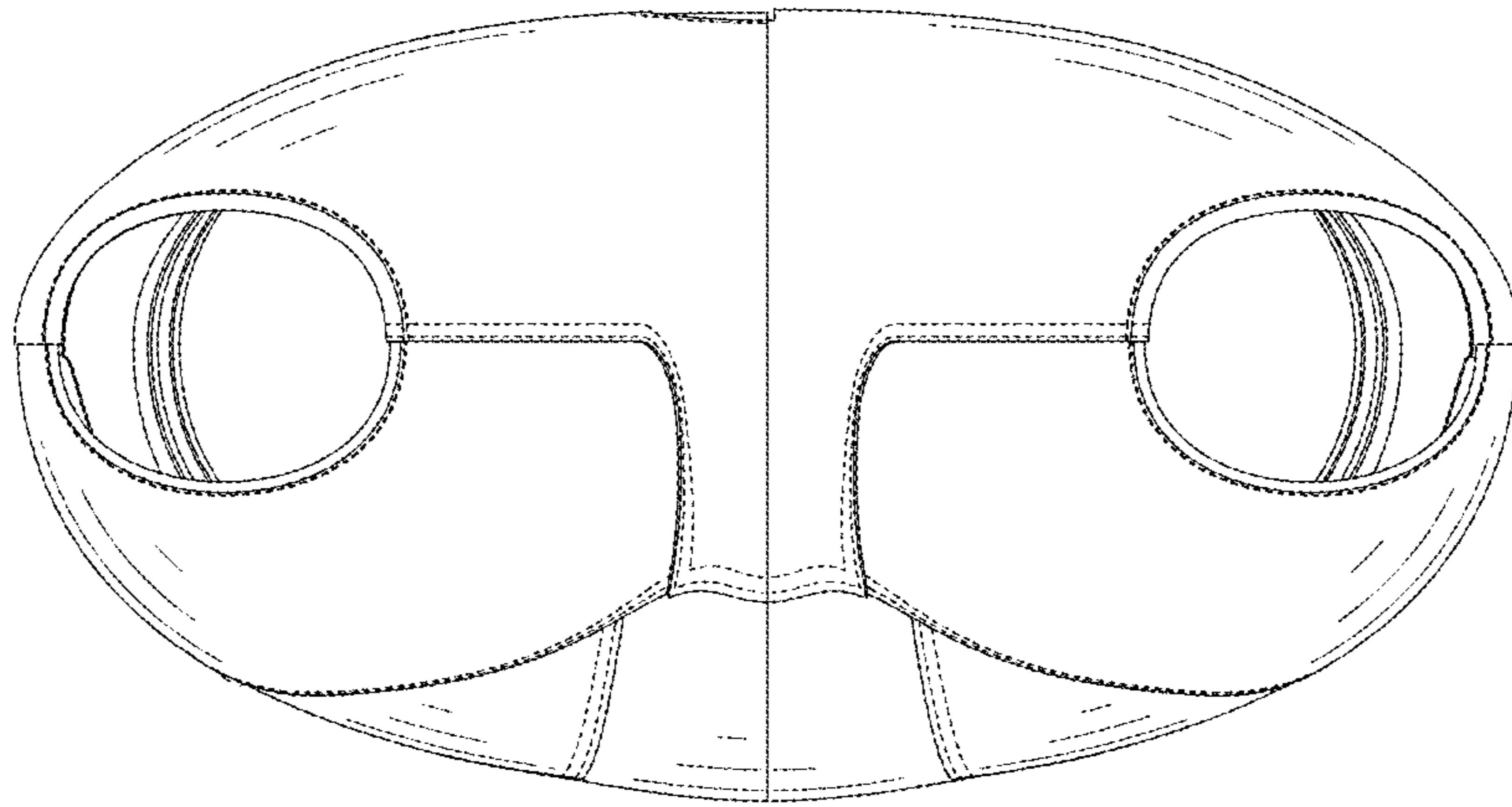


FIG. 8



FIG. 9



FIG. 10

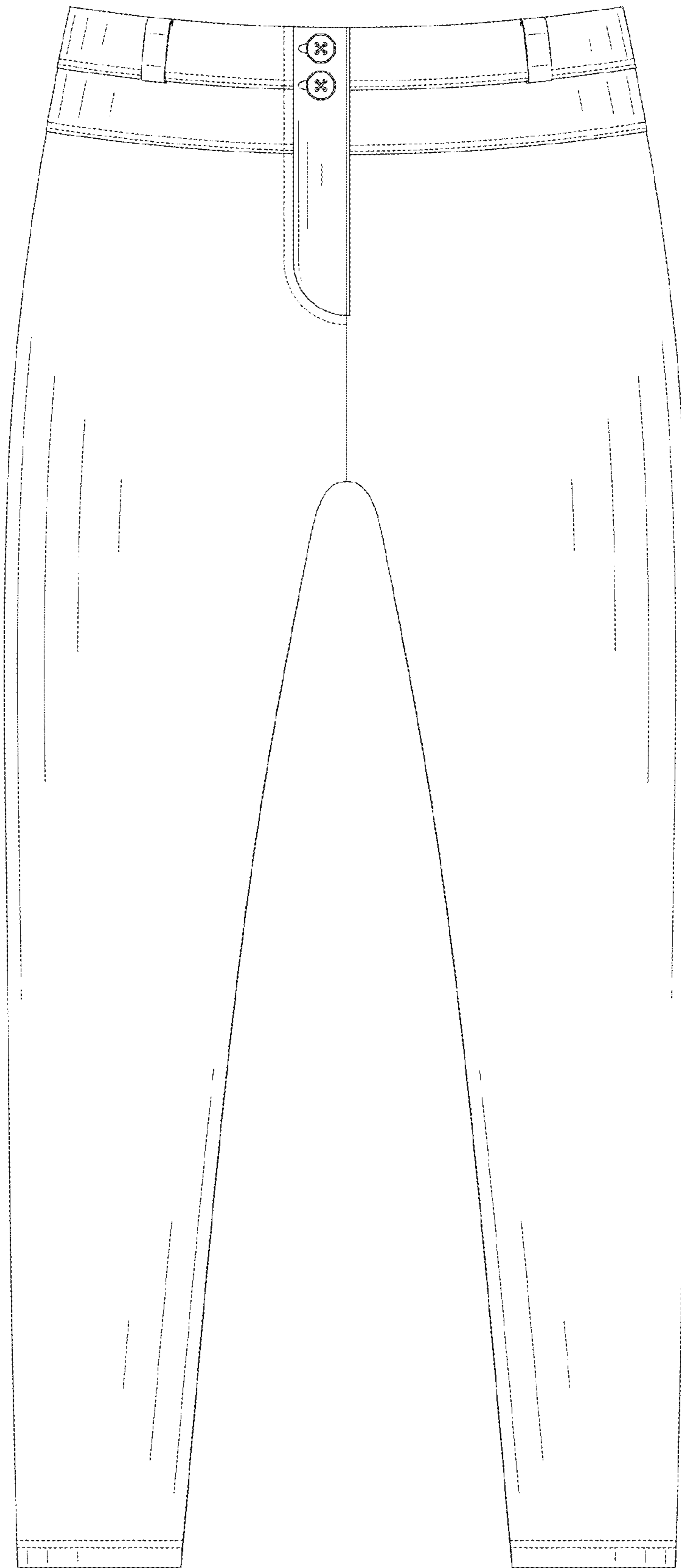


FIG. 11

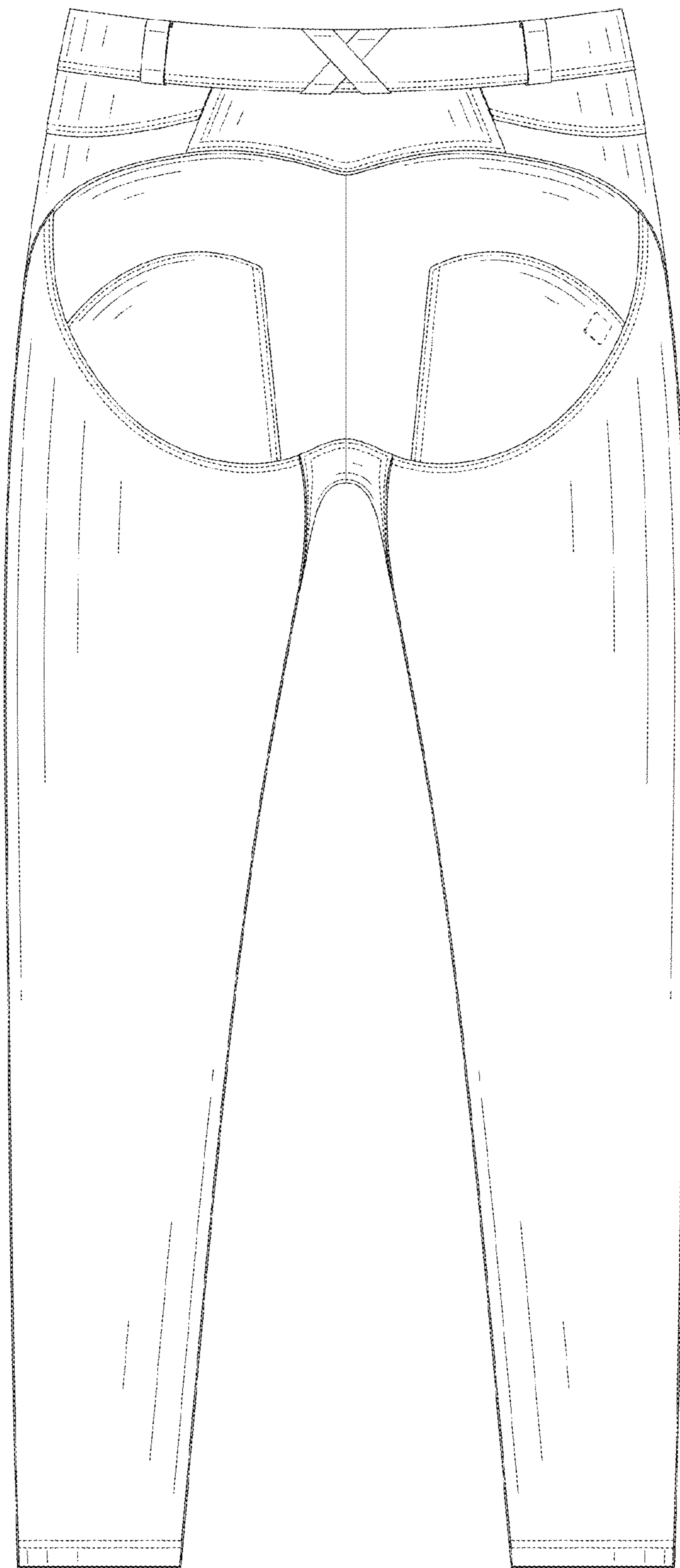


FIG. 12

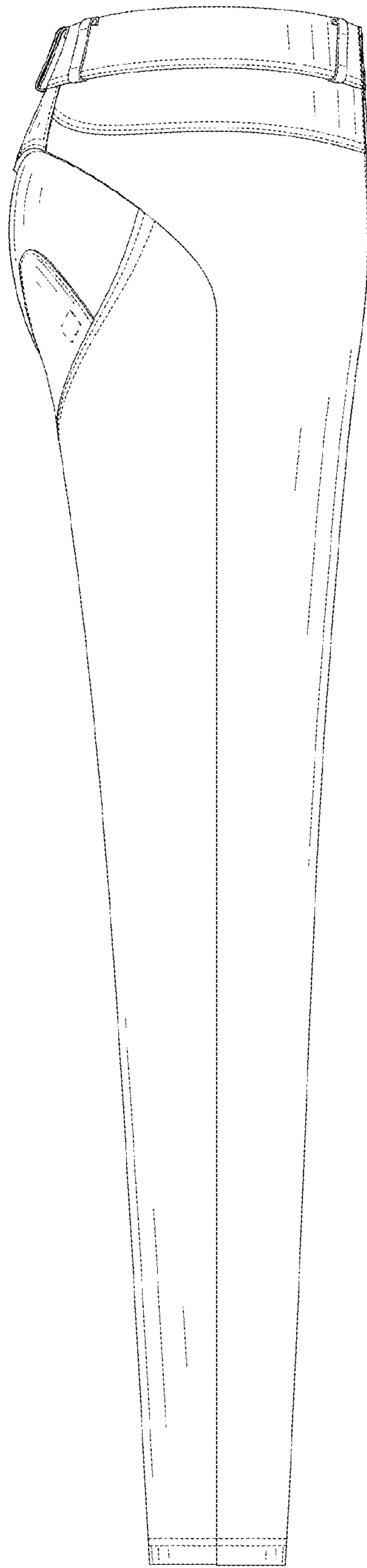


FIG. 13

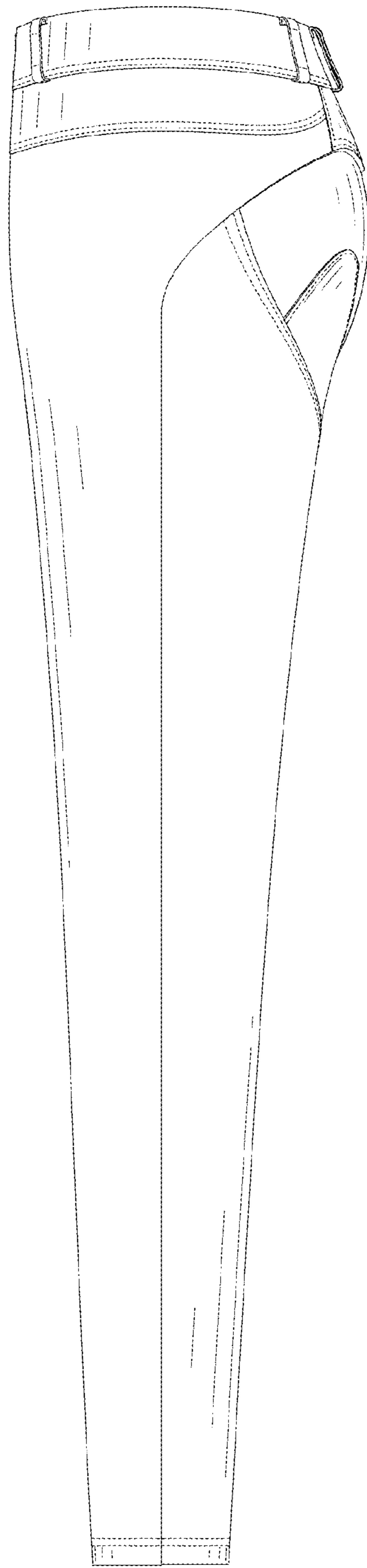


FIG. 14

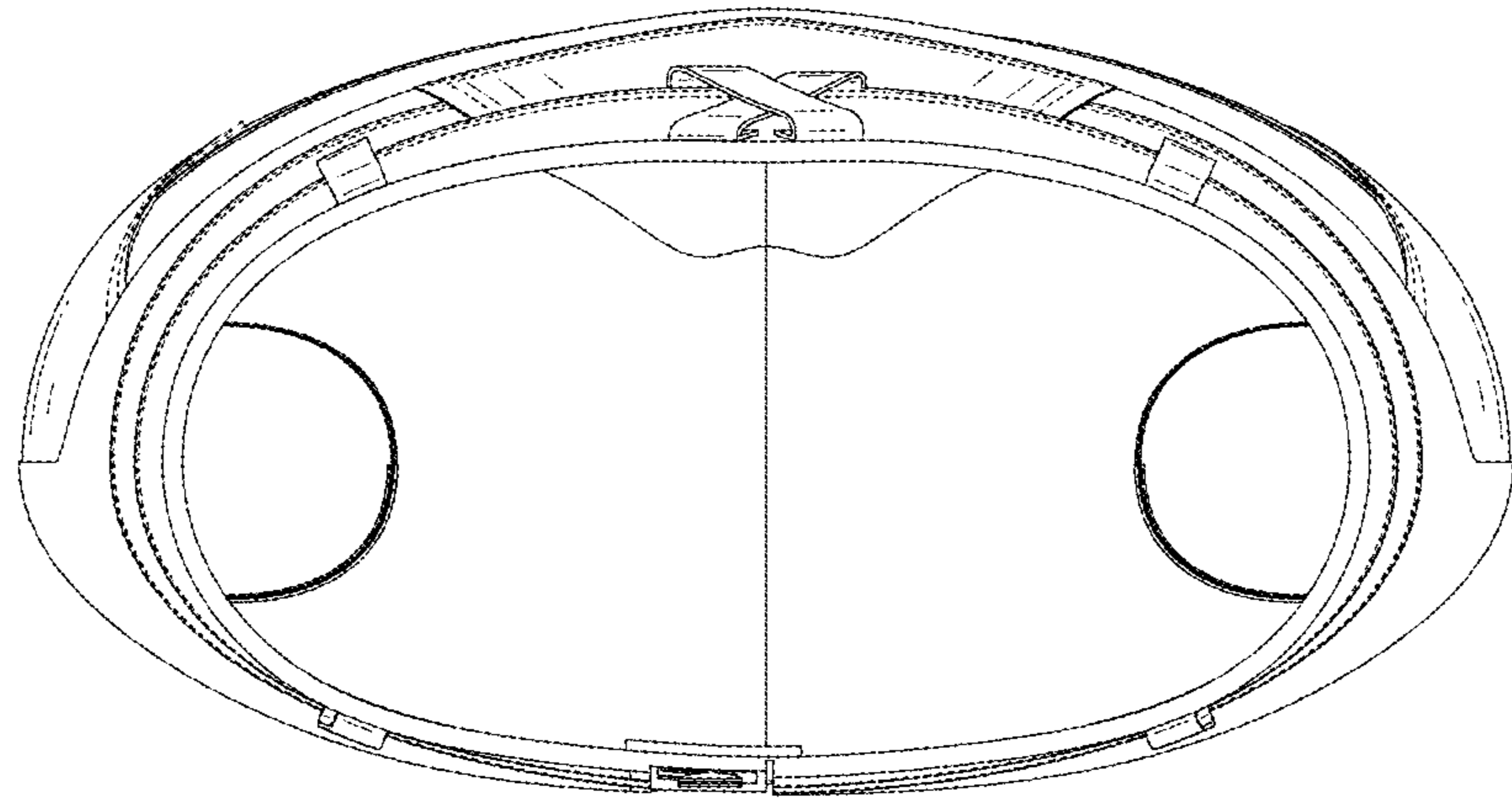


FIG. 15

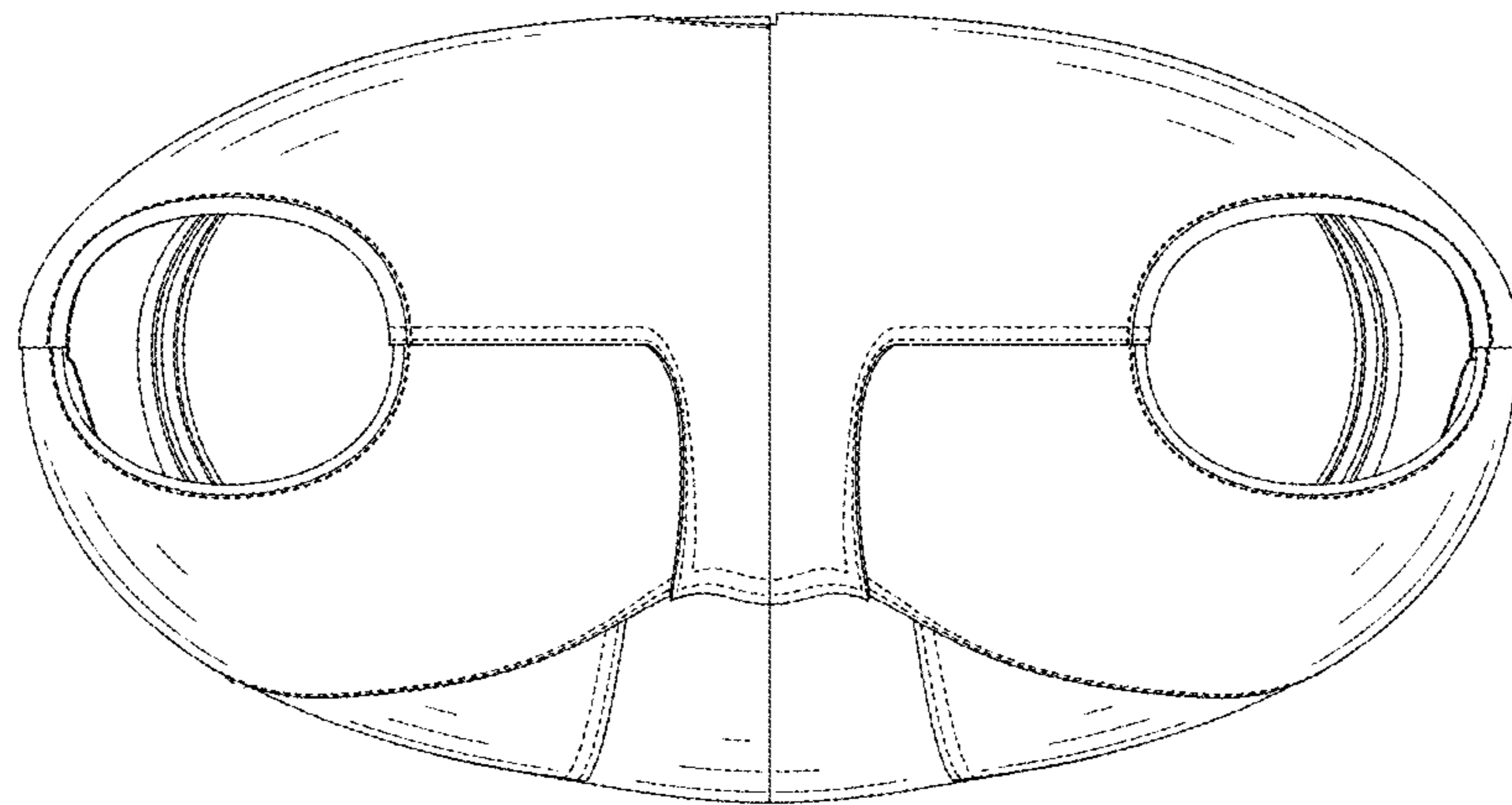


FIG. 16