



US00D984088S

(12) **United States Design Patent**
Zhou

(10) **Patent No.:** **US D984,088 S**

(45) **Date of Patent:** **** Apr. 25, 2023**

(54) **YOGA PANTS**

(71) Applicant: **Junrong Zhou**, Guangzhou (CN)

(72) Inventor: **Junrong Zhou**, Guangzhou (CN)

(**) Term: **15 Years**

(21) Appl. No.: **29/856,700**

(22) Filed: **Oct. 17, 2022**

(51) **LOC (14) Cl.** **02-02**

(52) **U.S. Cl.**
USPC **D2/731; D2/742**

(58) **Field of Classification Search**
USPC D2/742, 731, 728
CPC A41F 9/007; A41D 27/22; A41D 1/06;
A41D 1/08
See application file for complete search history.

(56) **References Cited**

U.S. PATENT DOCUMENTS

D615,279 S *	5/2010	Savage	D2/731
D683,522 S *	6/2013	Pasloski	D2/731
D686,799 S *	7/2013	Farina	D2/742
D791,436 S *	7/2017	Moore	D2/731
D802,258 S *	11/2017	Lomax	D2/742
D833,711 S *	11/2018	Jones	D2/731
10,455,877 B2 *	10/2019	Moore	A41D 7/005
D873,531 S *	1/2020	Caron	D2/742
D909,712 S	2/2021	Hedvat		
D910,277 S	2/2021	Hedvat		
D963,291 S *	9/2022	Talnikar	D2/742
D963,300 S *	9/2022	Tyler	D2/853
D974,701 S *	1/2023	Chen	D2/742
2011/0131705 A1 *	6/2011	Waldman	A41F 9/00 2/221
2016/0262478 A1 *	9/2016	Moore	A41F 9/02
2019/0150540 A1 *	5/2019	Otashevich	A41D 1/06

OTHER PUBLICATIONS

Aoxjox High Waisted Workout Leggings, posted Sep. 6, 2021 [online], (retrieved Nov. 14, 2022). Retrieved from the internet,

https://www.amazon.com/dp/B09WVRDG4R/ref=sspa_dk_detail_2?ie=UTF8&pd_rd_i=B09KWWGLGZp13NParams&s=apparel&sp_csd=d2lkZ2V0T%E2%80%A6 (Year: 2021).
Statement Leggings, reviewed Feb. 21, 2021 [online], (retrieved Nov. 14, 2022). Retrieved from the internet, <https://www.bombshellsportswear.com/products/statement-leggings?variant=32455105871959&gclid=EAlaIQobChMI4r6Ro6uw-wIVDq7ICh1pBAmGE%E2%80%A6> (Year: 2021).*

* cited by examiner

Primary Examiner — Kevin K Rudzinski

Assistant Examiner — J. Thorn, Sr.

(57) **CLAIM**

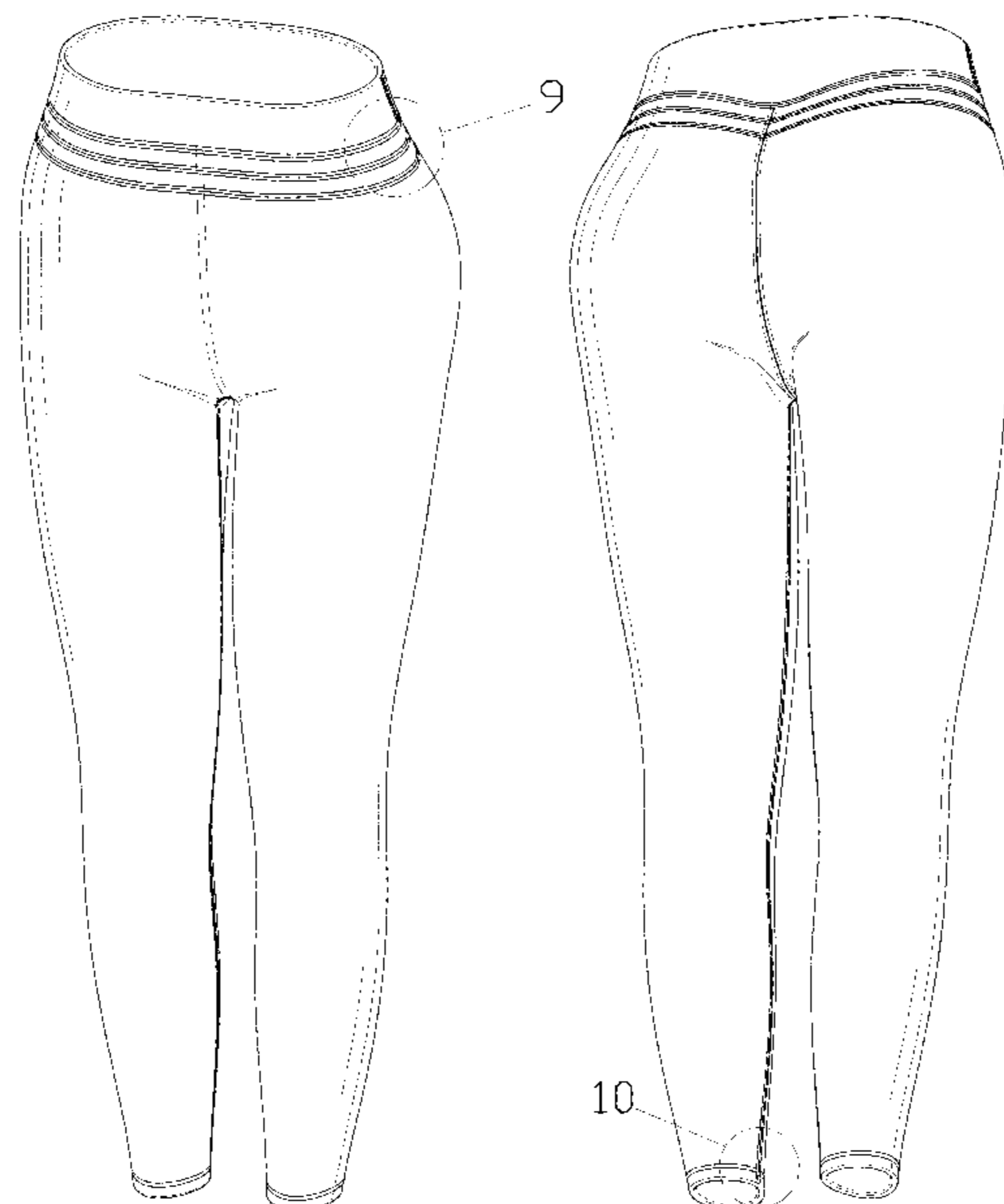
The ornamental design for a yoga pants, as shown and described.

DESCRIPTION

FIG. 1 is a front, right and top perspective view of a yoga pants showing my new design;
FIG. 2 is a rear, left and bottom perspective view thereof;
FIG. 3 is a front view thereof;
FIG. 4 is a rear view thereof;
FIG. 5 is a left side view thereof;
FIG. 6 is a right side view thereof;
FIG. 7 is a top plan view thereof;
FIG. 8 is a bottom plan view thereof;
FIG. 9 is an enlarged partial view of FIG. 1; and,
FIG. 10 is an enlarged partial view of FIG. 2.

The broken lines shown in the drawings depict portions of the yoga pants that from no part of the claimed design. The line dash lines broken lines in the drawings represent the boundaries of the claim and form no part of the claimed design.

1 Claim, 10 Drawing Sheets



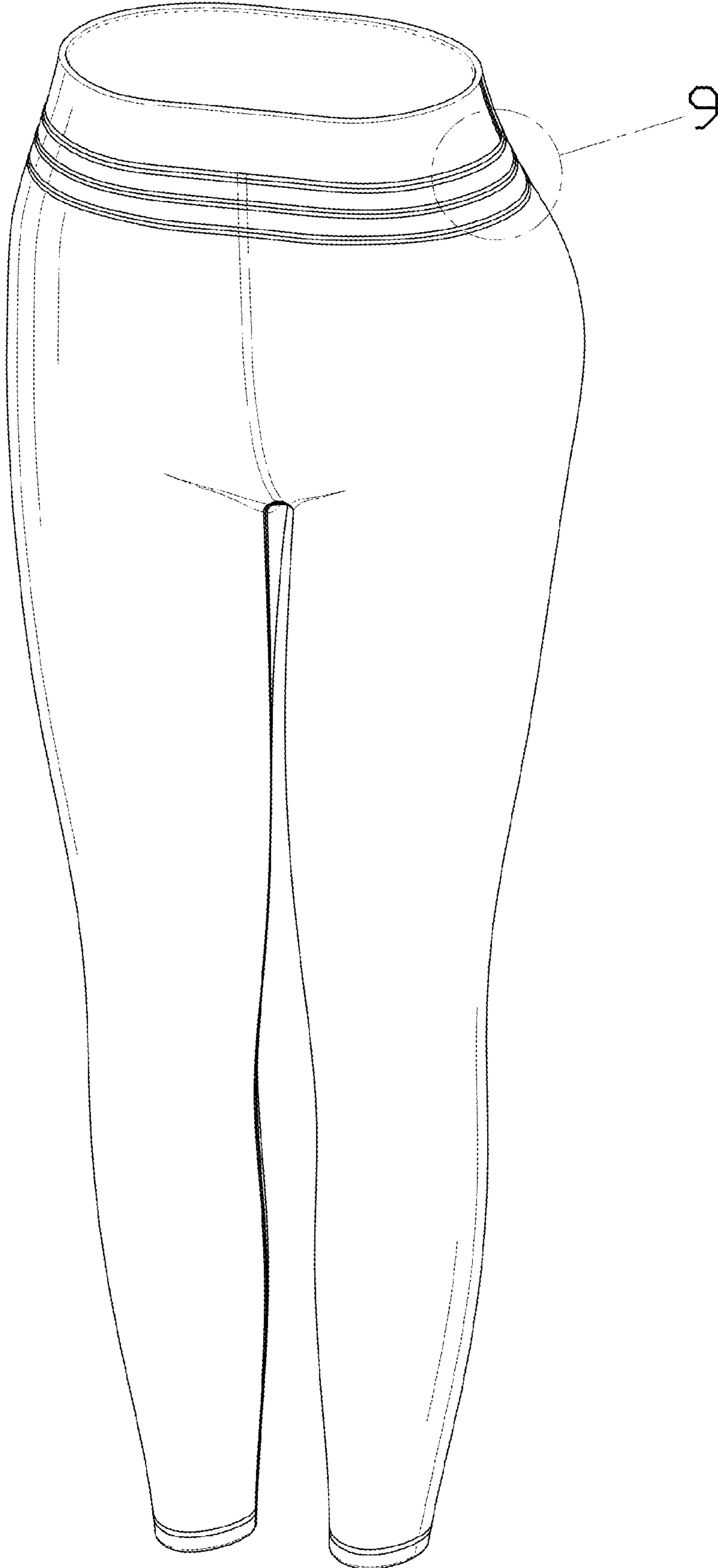


FIG. 1

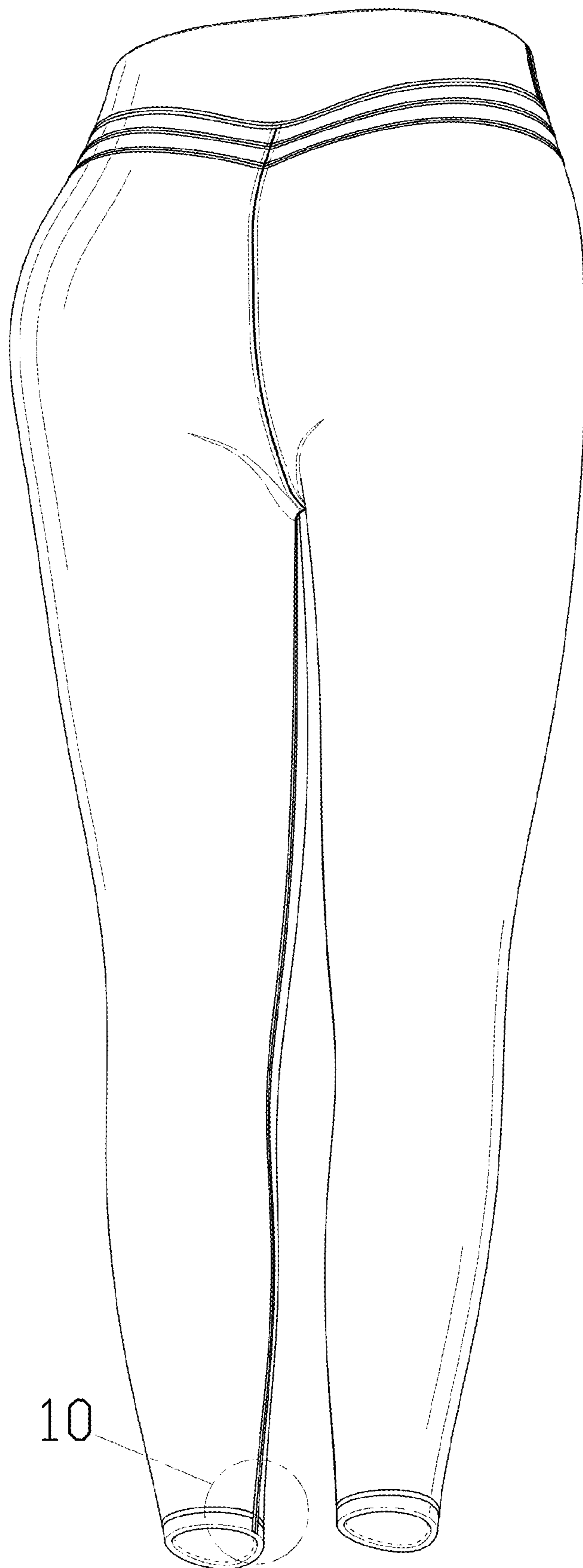


FIG. 2

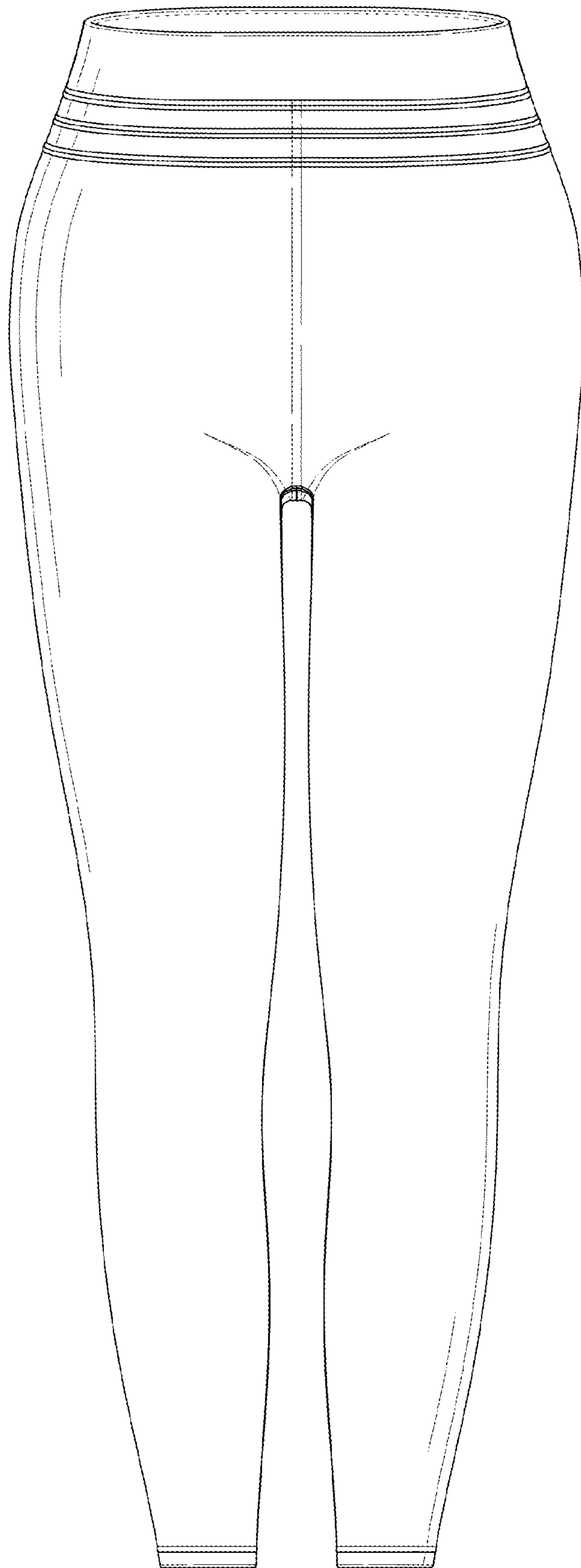


FIG. 3

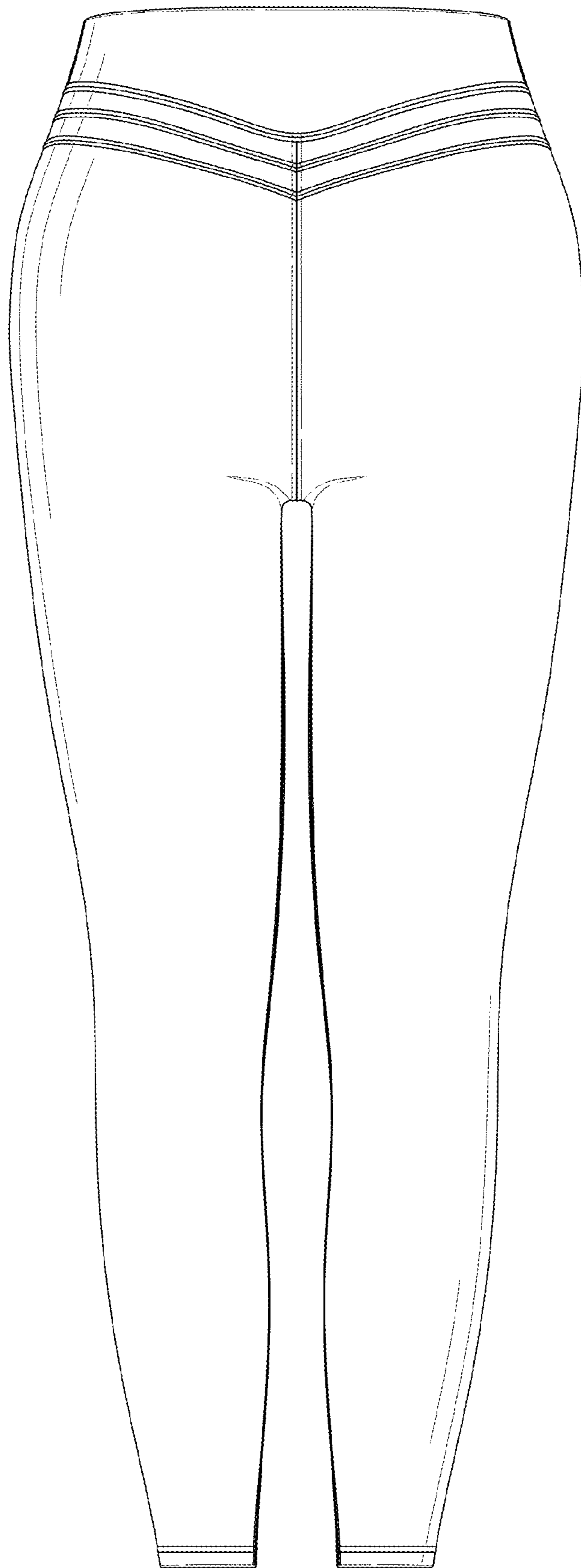


FIG. 4



FIG. 5

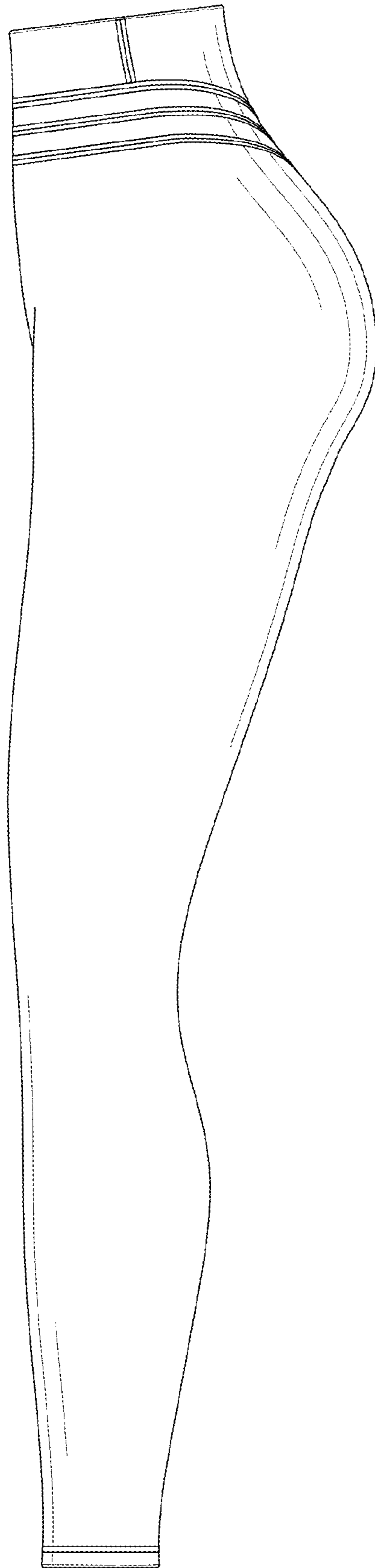


FIG. 6

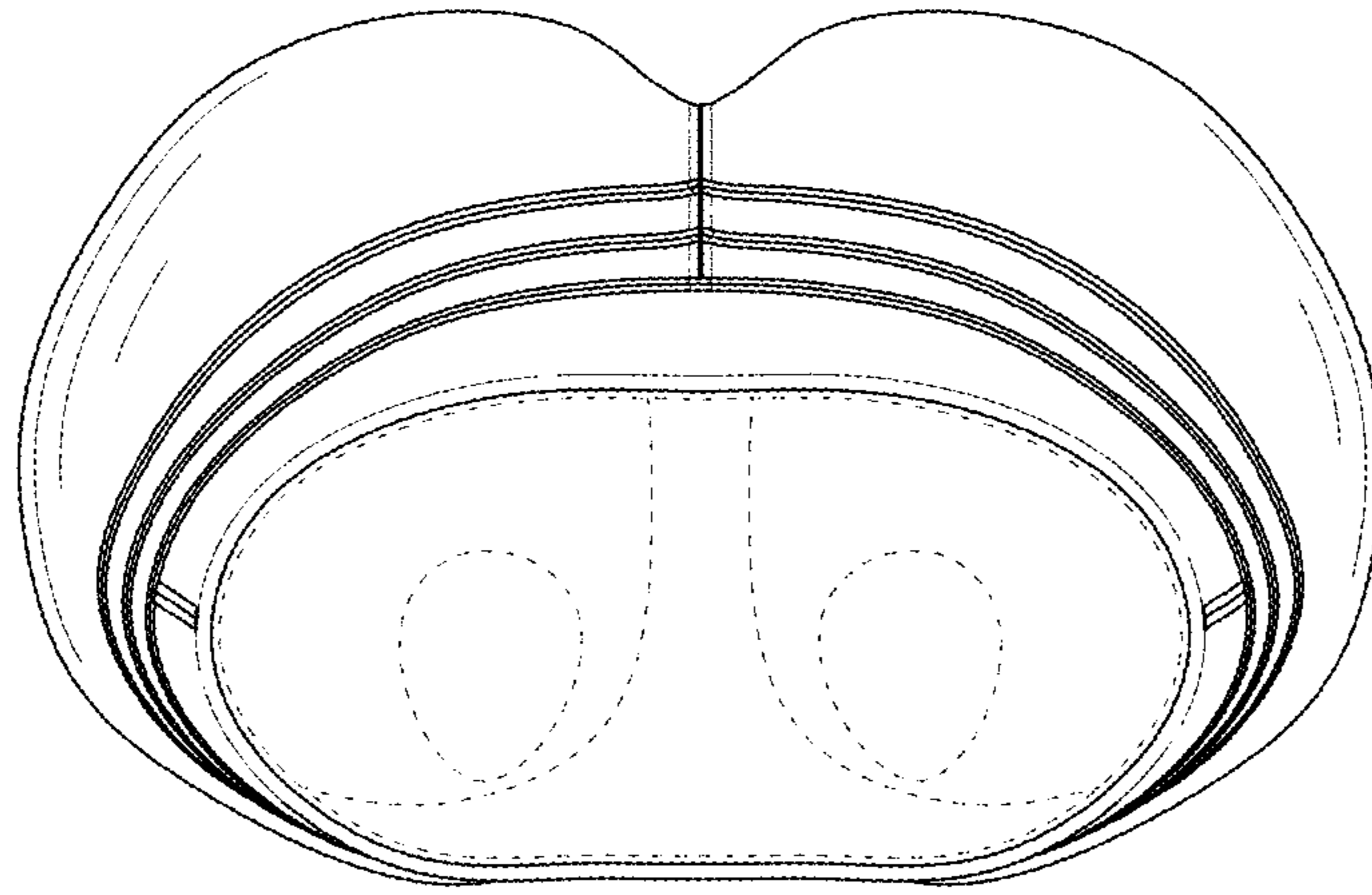


FIG. 7

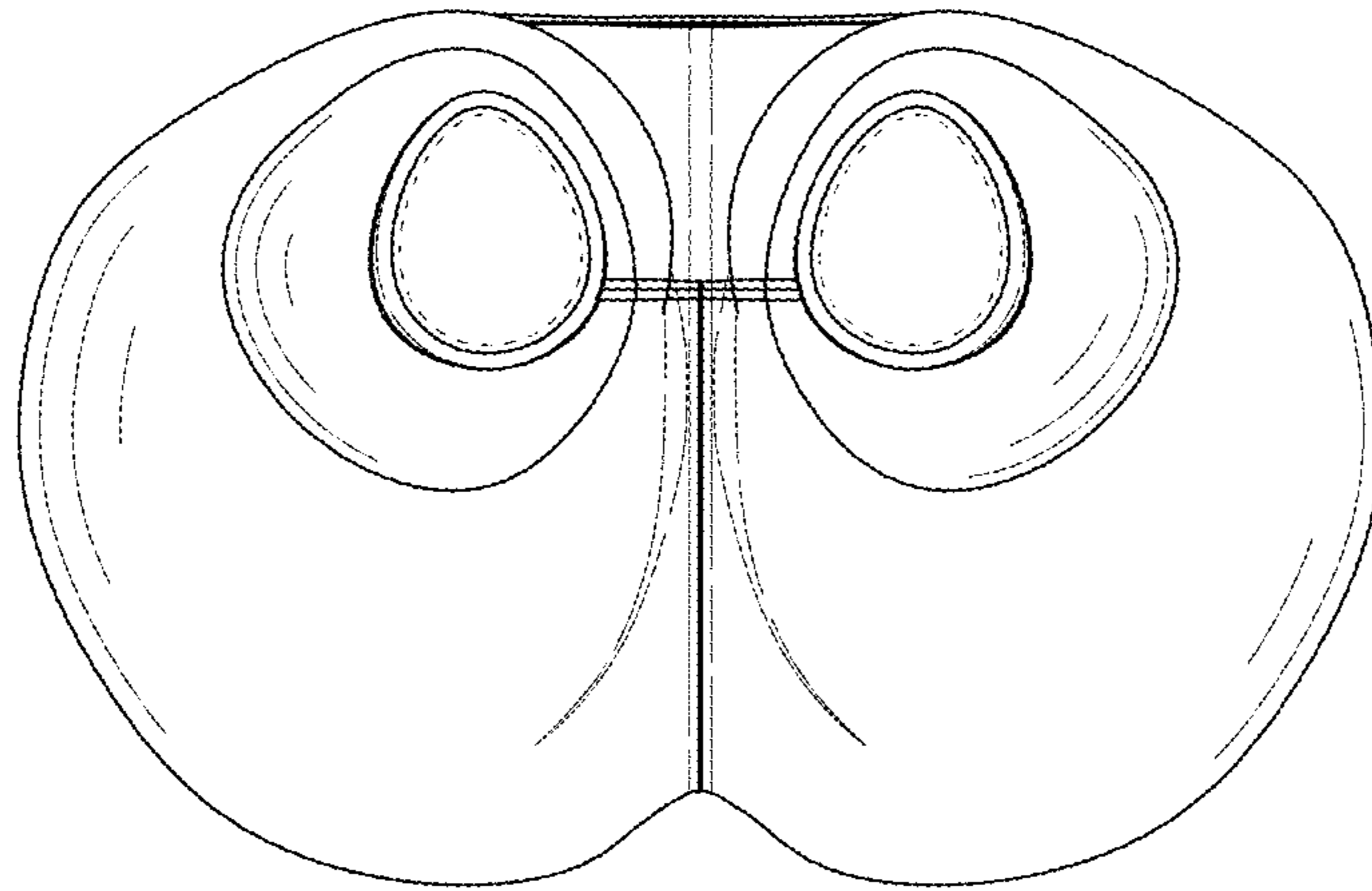


FIG. 8

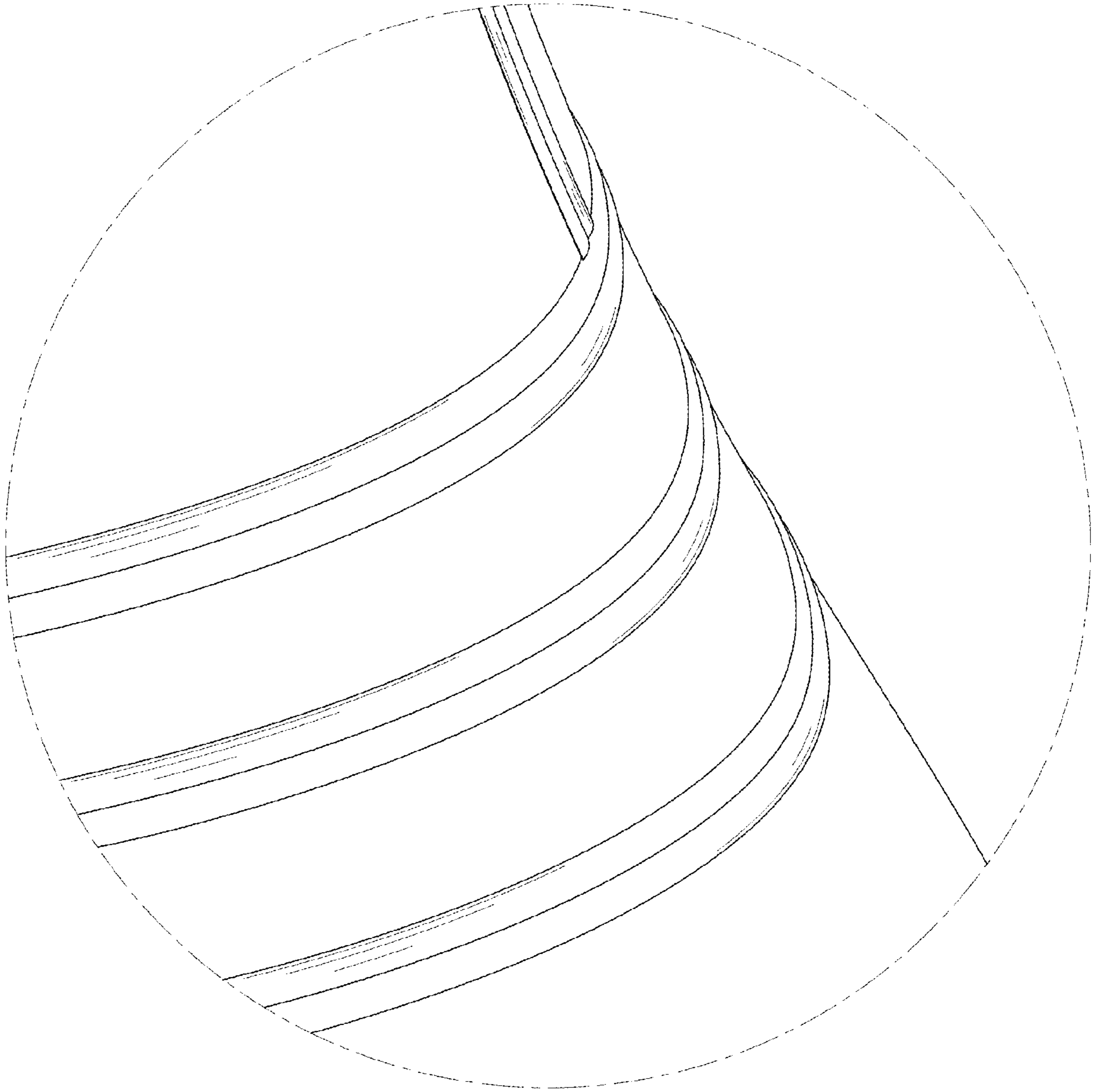


FIG. 9

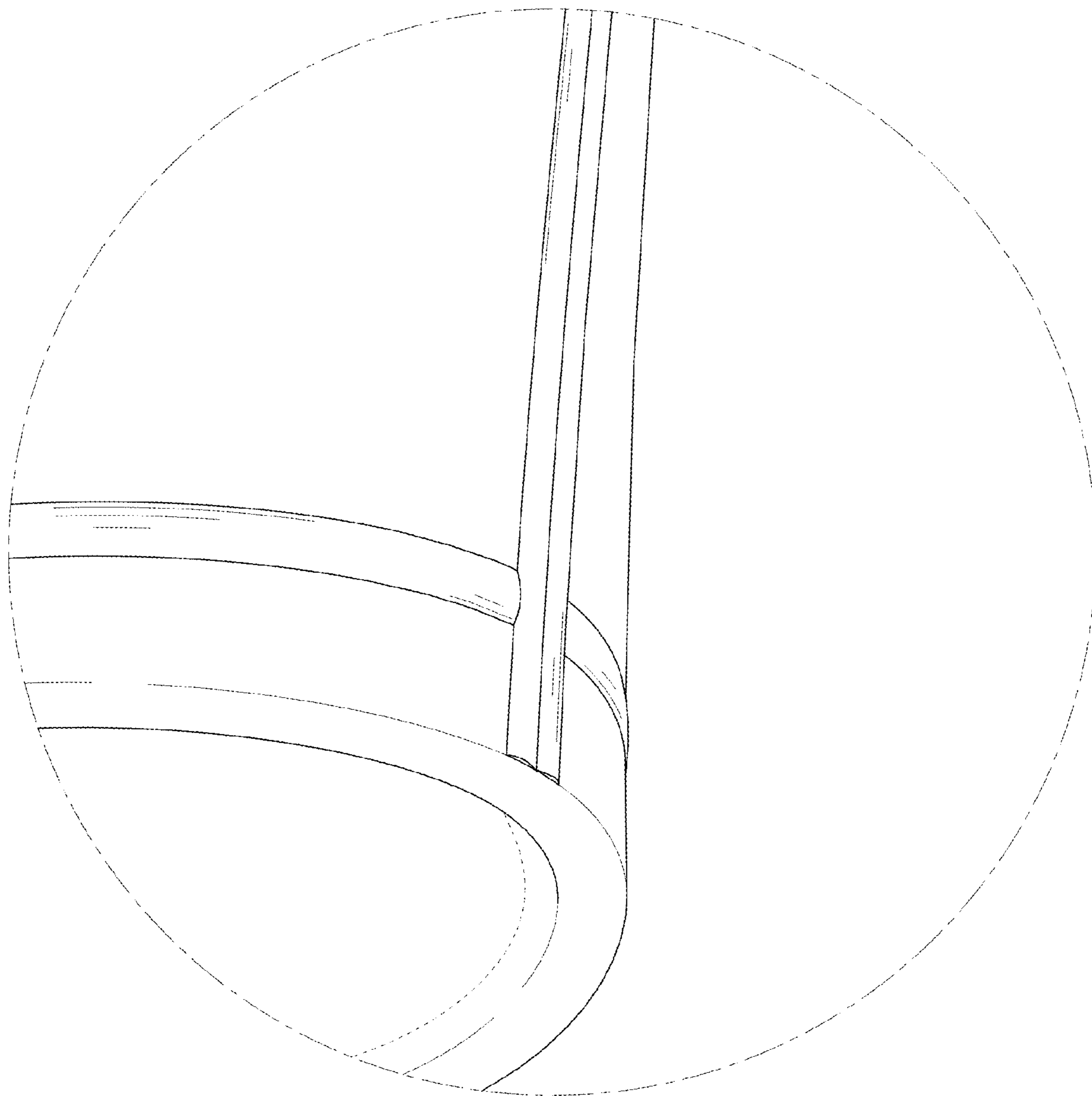


FIG. 10