



US00D984085S

(12) **United States Design Patent**
Fujii

(10) **Patent No.:** **US D984,085 S**

(45) **Date of Patent:** **** Apr. 25, 2023**

(54) **SURGICAL APPAREL**

(71) Applicant: **Fumiko Fujii**, Aichi-ken (JP)

(72) Inventor: **Fumiko Fujii**, Aichi-ken (JP)

(73) Assignee: **Fumiko FUJII**, Aichi-ken (JP)

(**) Term: **15 Years**

(21) Appl. No.: **35/512,934**

(22) Filed: **May 14, 2021**

(80) **Hague Agreement Data**

Int. Filing Date: **May 14, 2021**

Int. Reg. No.: **DM/214293**

Int. Reg. Date: **May 14, 2021**

Int. Reg. Pub. Date: **Nov. 19, 2021**

(51) **LOC (14) Cl.** **02-01**

(52) **U.S. Cl.**
USPC **D2/720**

(58) **Field of Classification Search**
USPC D2/717, 718, 720, 728, 739, 749-751,
D2/797, 840-842, 847-850
CPC A41D 13/12; A41D 13/1209; A41D
13/1236; A41D 13/1245
See application file for complete search history.

(56) **References Cited**

U.S. PATENT DOCUMENTS

D356,204 S * 3/1995 Derrickson D2/720
5,410,758 A * 5/1995 Dupont A41D 13/1209
2/901
5,813,052 A * 9/1998 Taylor A41D 13/1227
2/243.1
D431,344 S * 10/2000 Briceno D2/823
D505,768 S * 6/2005 Dallas D2/717
D563,627 S * 3/2008 Warren D2/720
D584,882 S * 1/2009 Trouillot D2/720
D622,479 S * 8/2010 Herzog D2/720
D624,280 S * 9/2010 Halseth D2/720
D635,739 S * 4/2011 Toms D2/720

D646,463 S * 10/2011 Petrovskis D2/720
D657,939 S * 4/2012 Mathews D2/847
D680,709 S * 4/2013 Blood D2/720
D707,919 S * 7/2014 Lockwood D2/720
D721,870 S * 2/2015 Levine D2/720
D734,924 S * 7/2015 Emery D2/850
D749,819 S * 2/2016 Czajka D2/720
D752,318 S * 3/2016 Powell D2/720
D764,145 S * 8/2016 Mathews D2/828
D781,528 S * 3/2017 Kennedy D2/739

(Continued)

OTHER PUBLICATIONS

Amazon.com "Medd Max Medical Gown Washable", <https://www.amazon.com/Medd-Max-Medical-Gown-Washable/dp/B08CGGBZWD> printed from the Internet, released on Jul. 6, 2020, 11 pages.

(Continued)

Primary Examiner — Michelle E. Wilson

Assistant Examiner — Clese Moore, Jr.

(57) **CLAIM**

The ornamental design for surgical apparel, as shown and described.

DESCRIPTION

1. Surgical apparel

1.1 : Perspective

1.2 : Front

1.3 : Back

1.4 : Top

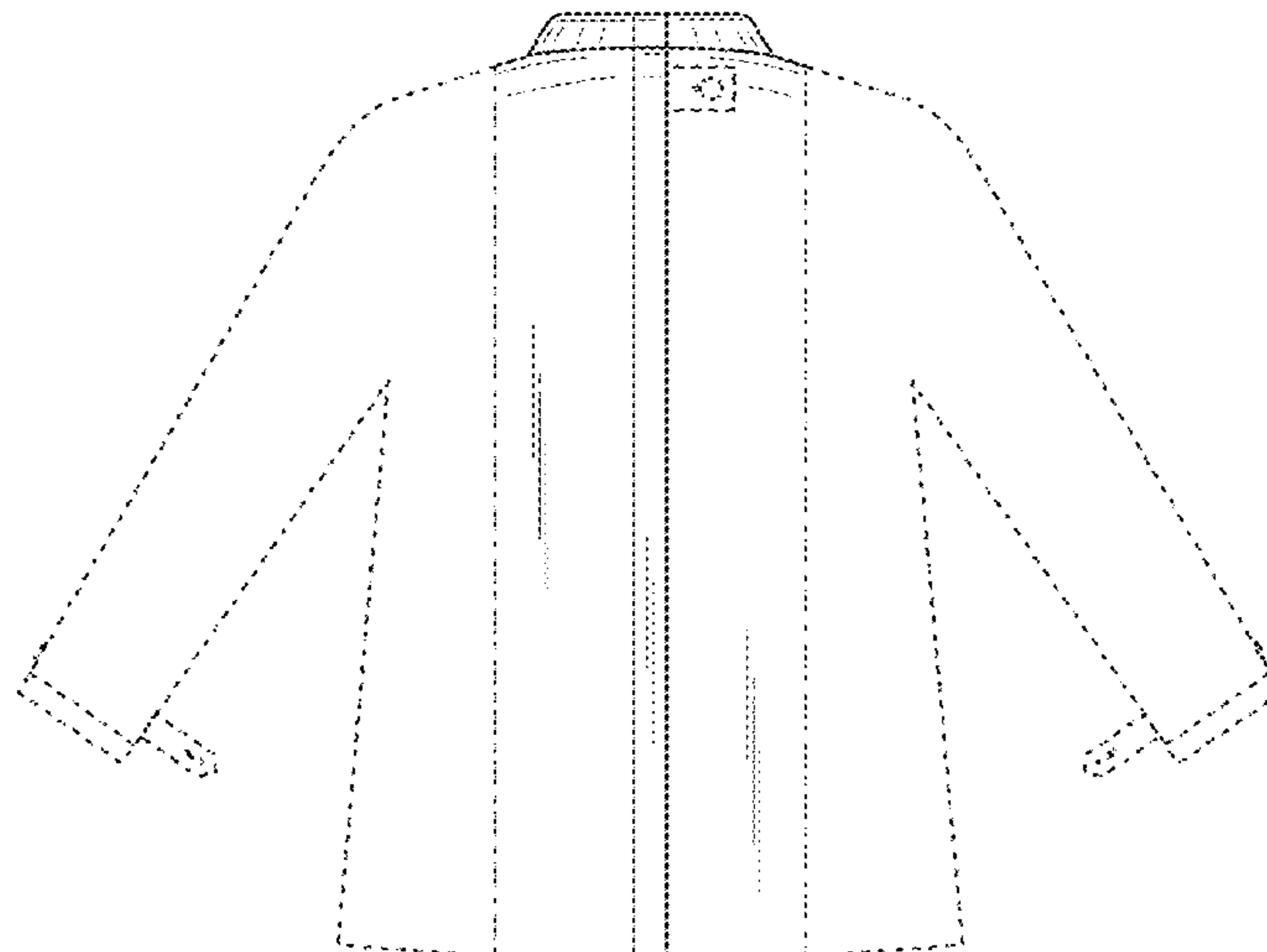
1.5 : Bottom

1.6 : Left

1.7 : Referential back view

The evenly-spaced broken lines in the figures form no part of the claimed design; the dashed-dotted broken lines in the figures denote the boundaries of the claimed design and form no part thereof; the right view is omitted as the claimed features depicted in the left view appear symmetrically in the right view.

1 Claim, 7 Drawing Sheets



(56)

References Cited

U.S. PATENT DOCUMENTS

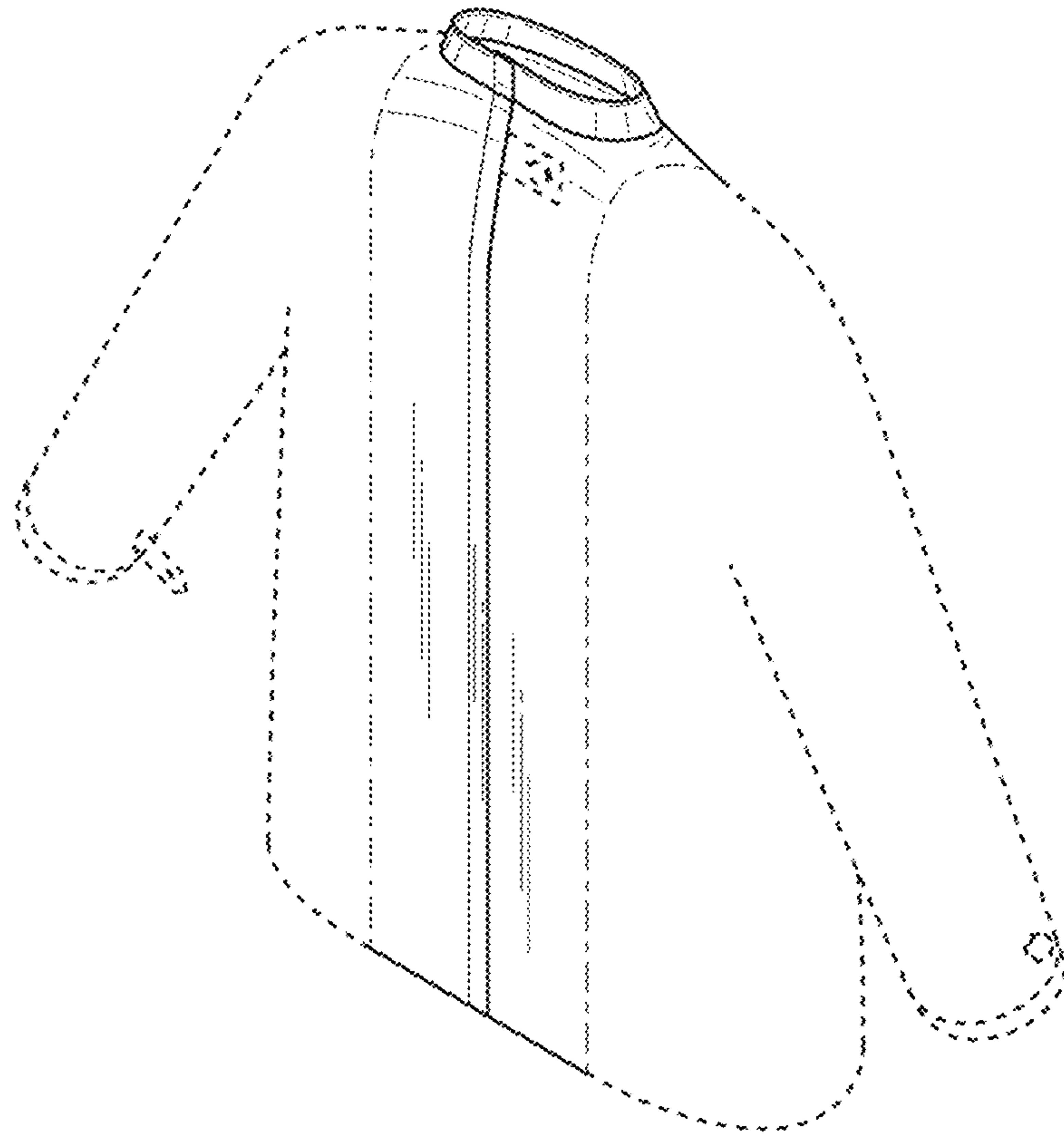
D785,285 S * 5/2017 Shamsid-Deen D2/720
D790,813 S * 7/2017 Kashouty D2/860
D793,031 S * 8/2017 Jascomb D2/720
D821,704 S * 7/2018 Pasko D2/720
D829,411 S * 10/2018 Brewerton D2/720
D868,424 S * 12/2019 Gelati D2/720
D889,075 S * 7/2020 Burke D2/720
D894,534 S * 9/2020 Pettigrew D2/720
2002/0095709 A1* 7/2002 Fujikawa A41D 13/1209
2/51
2006/0117456 A1* 6/2006 Griesbach, III ... A41D 13/1209
2/114

OTHER PUBLICATIONS

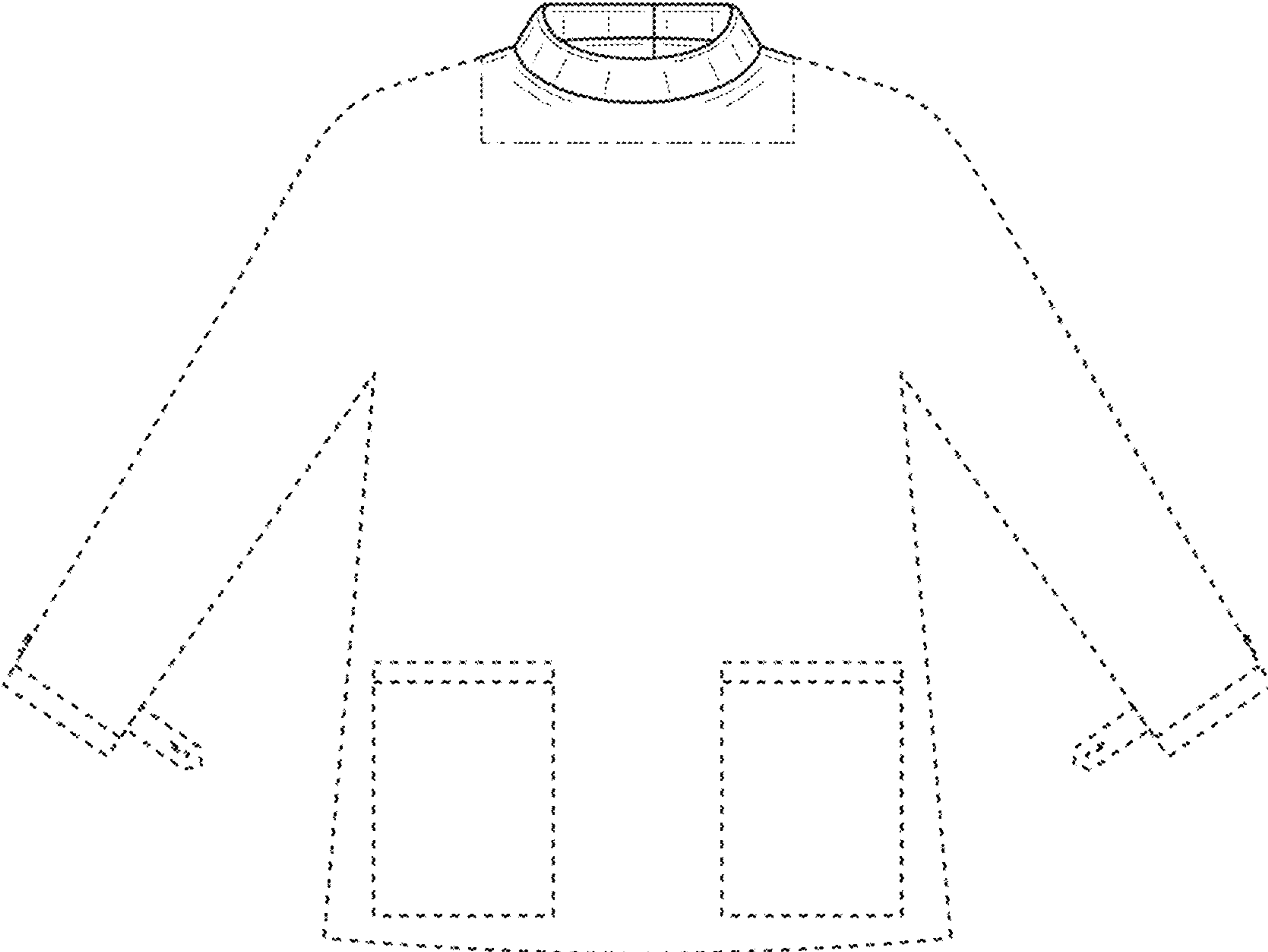
Amazon.com "Premium Quality Healthcare Gowns" https://www.amazon.com/Premium-Quality-Healthcare-Gowns-Comfortable/dp/B08HLCR3KR/ref=sr_1_86?dchild=1&keywords=unisex+reusable+medical+gown&qid=1620323258&sr=8-86 printed from the Internet, released on Sep. 2, 2020, 6 pages.

* cited by examiner

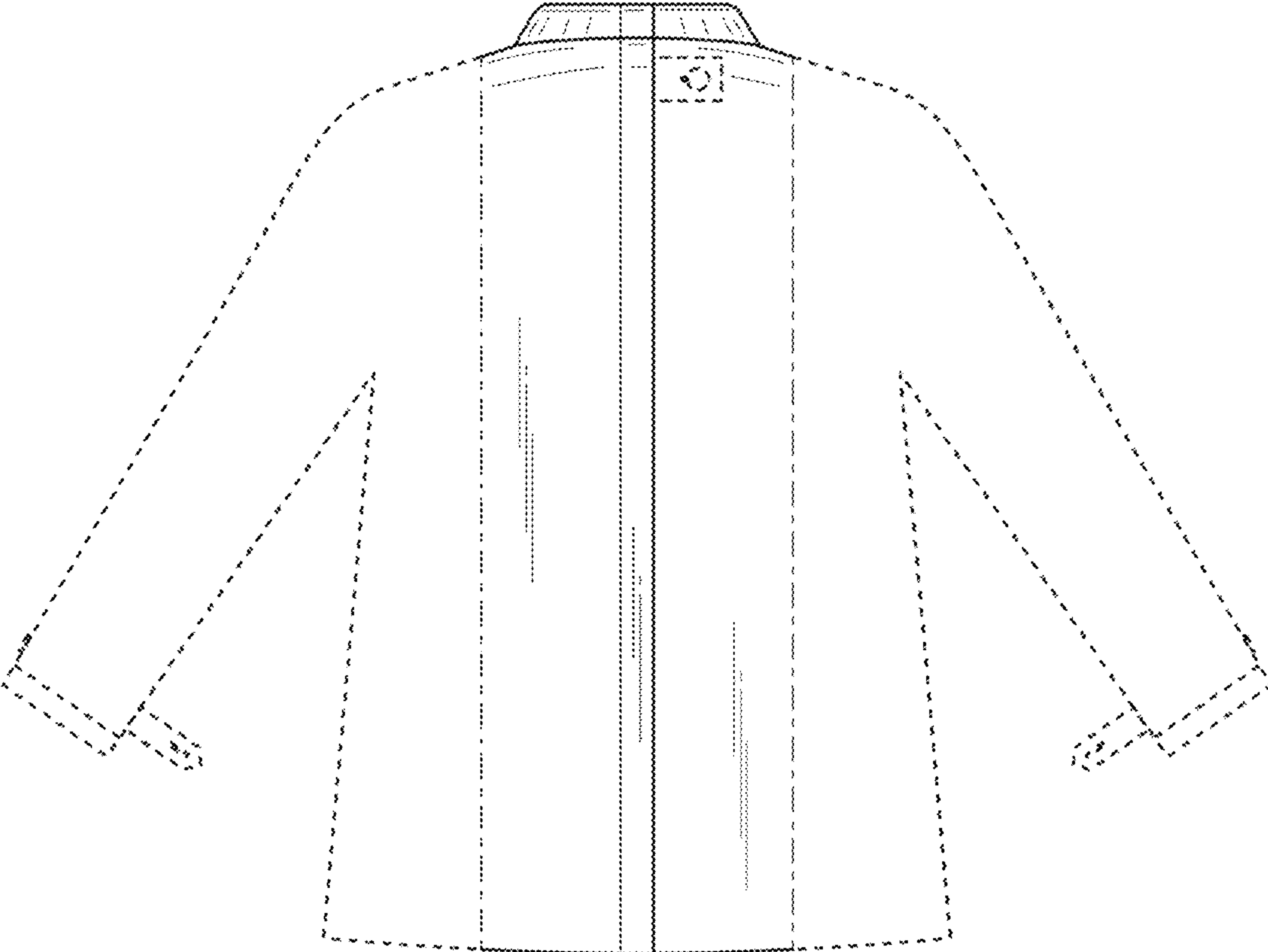
1.1



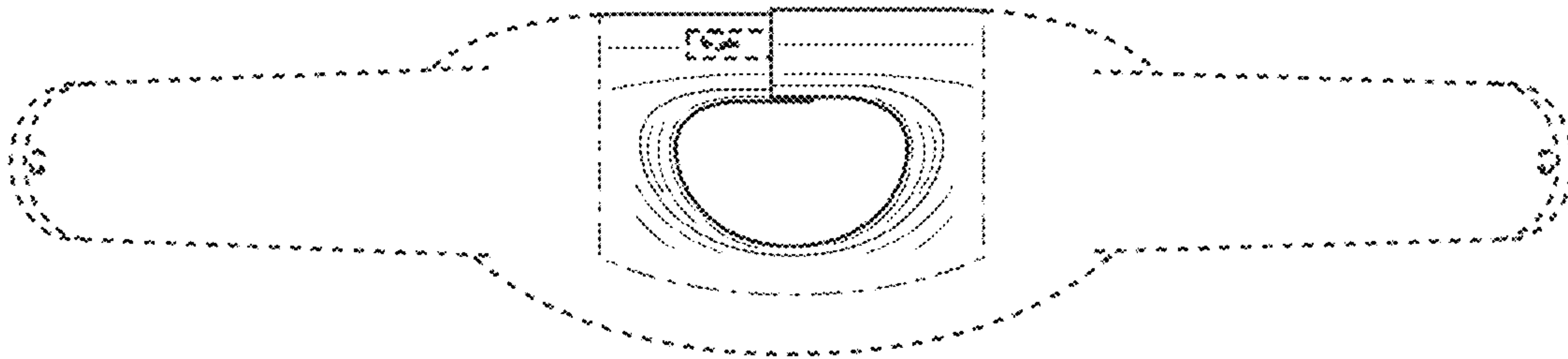
1.2



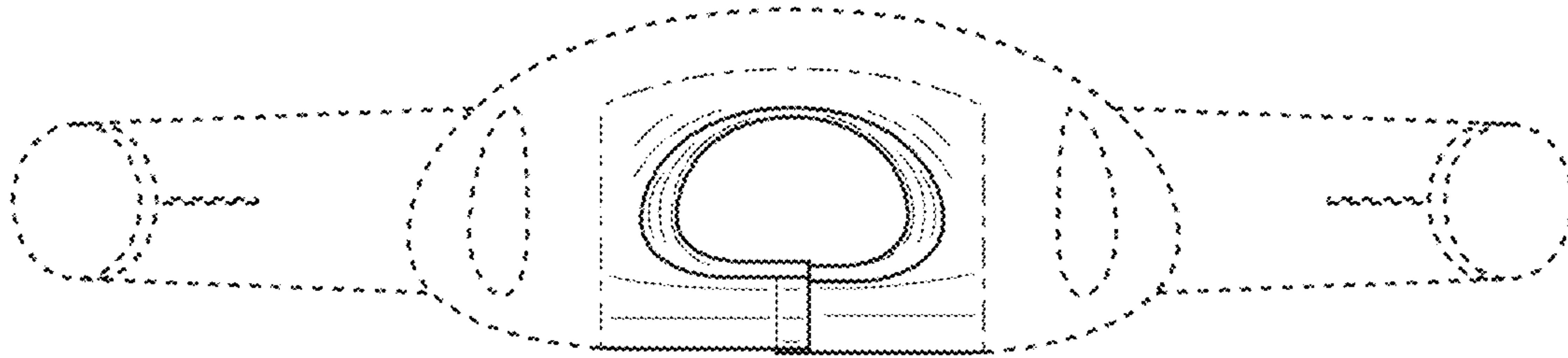
1.3



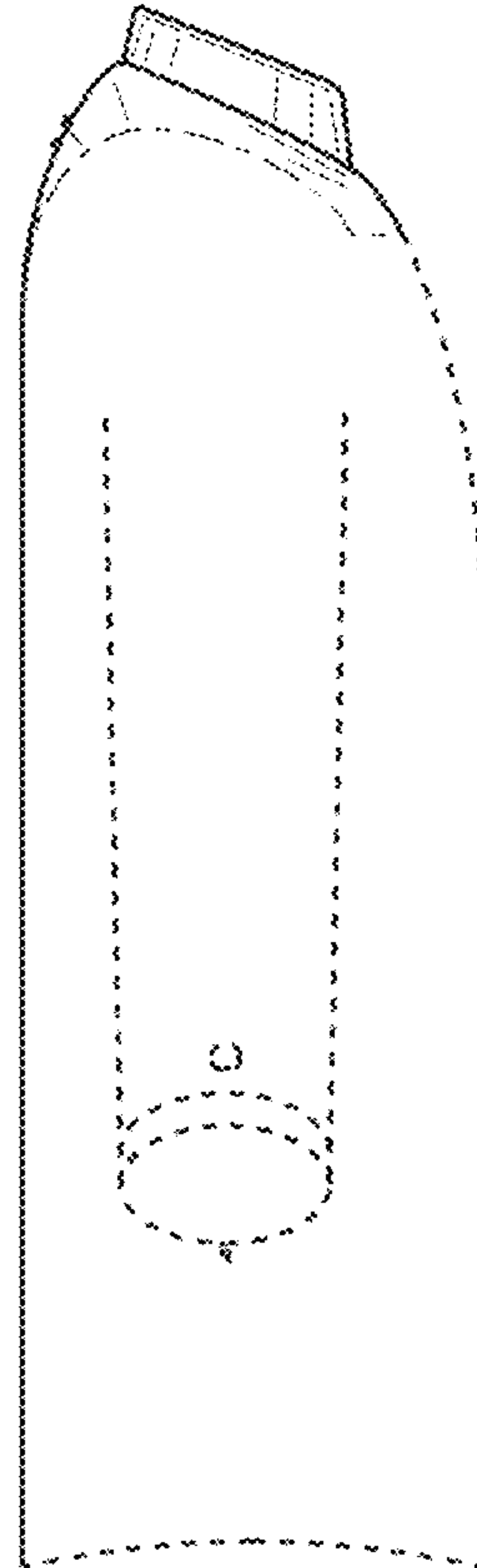
1.4



1.5



1.6



1.7

