



US00D984080S

(12) **United States Design Patent** (10) **Patent No.:** **US D984,080 S**
Liu (45) **Date of Patent:** **** Apr. 25, 2023**

(54) **HEATED GLOVE**

(71) Applicant: **Wen Liu**, Lengshuijiang (CN)

(72) Inventor: **Wen Liu**, Lengshuijiang (CN)

(**) Term: **15 Years**

(21) Appl. No.: **29/850,107**

(22) Filed: **Aug. 17, 2022**

(51) **LOC (14) Cl.** **02-06**

(52) **U.S. Cl.**

USPC **D2/622**

(58) **Field of Classification Search**

USPC D29/113, 115, 117.1, 117.2, 118;
D2/610, 614, 617, 618, 619, 621, 622

CPC A41D 19/01; A41D 19/01535

See application file for complete search history.

(56) **References Cited**

U.S. PATENT DOCUMENTS

180,156	A *	7/1876	Peters	A41D 19/01 D2/622
1,633,300	A *	6/1927	Wetzstein	A41D 19/01 D2/621
D180,129	S *	4/1957	Winson	D2/622
2,884,643	A *	5/1959	Winson	A41D 19/0082 2/167
2,900,642	A *	8/1959	Bauer	A41D 19/01 2/167
D653,428	S *	2/2012	Ramos	D2/622
D849,359	S	5/2019	Jackson		
D951,588	S	5/2022	Liu		
2020/0000160	A1 *	1/2020	Dunn	A41D 19/01

OTHER PUBLICATIONS

ActionHeat Heated Mittens, posted at homedepot.com, posting date Oct. 25, 2017, [online], [site visited Mar. 6, 2023]. Available from

Internet, URL: <https://www.homedepot.com/p/ActionHeat-Unisex-Black-AA-Battery-Heated-Mittens-AH-MIT-AA-01/307408043> (Year: 2023).*

BX-15801 Unisex OHM Battery Heated Mittens, posted at batteryheatedclothing.com, posting date not given, [online], [site visited Mar. 6, 2023]. Available from Internet, URL: <https://www.batteryheatedclothing.com/battery-heated-clothing/ohm-battery-heated-mittens/> (Year: 2023).*

(Continued)

Primary Examiner — Maria J. Edwards

(74) *Attorney, Agent, or Firm* — Daniel M. Cohn;
Howard M. Cohn

(57) **CLAIM**

The ornamental design for a heated glove, as shown and described.

DESCRIPTION

FIG. 1 is a perspective view of a heated glove showing my new design;

FIG. 2 is another perspective view thereof;

FIG. 3 is a front elevational view thereof;

FIG. 4 is a rear elevational view thereof;

FIG. 5 is a left side elevational view thereof;

FIG. 6 is a right side elevational view thereof;

FIG. 7 is a top plan view thereof;

FIG. 8 is a bottom plan view thereof;

FIG. 9 is an enlarged view of portion 9 shown in FIG. 1; and,

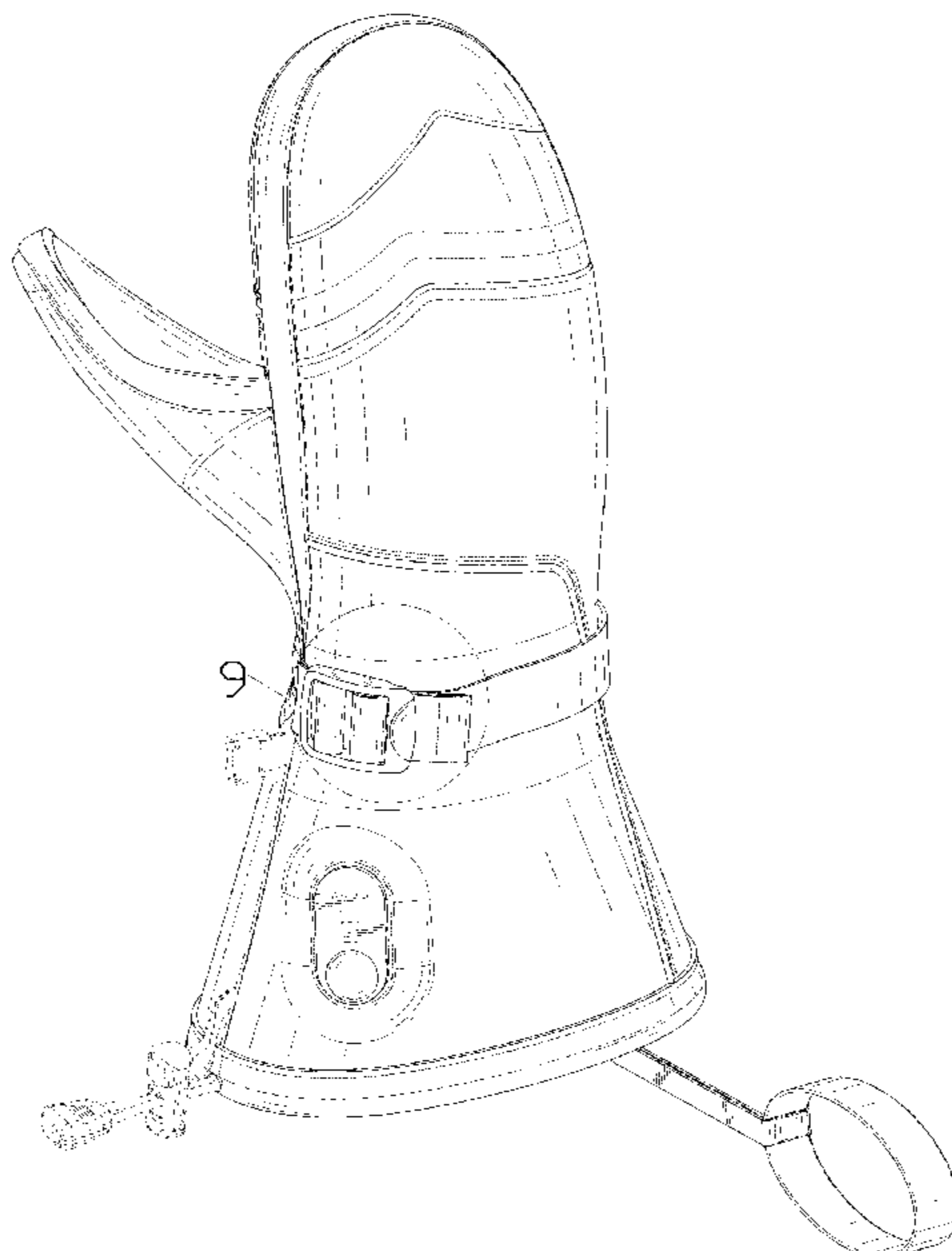
FIG. 10 is an enlarged view of portion 10 shown in FIG. 2.

The dot-dash broken lines represent the boundary of the enlarged portions and form no part of the claimed design.

The short thick evenly spaced broken lines in the drawings depict stitching and form no part of the claimed design.

The long thin evenly spaced broken lines in the drawings depict portions of the heated glove that form no part of the claimed design.

1 Claim, 10 Drawing Sheets



(56)

References Cited

OTHER PUBLICATIONS

MIEVNIO Heated Ski Mitten Gloves, posted at amazon.com, posting date Oct. 9, 2021, [online], [site visited Mar. 6, 2023]. Available from Internet, URL: <https://www.amazon.com/Rechargeable-Battery-Heated-Gloves-Waterproof/dp/B09J23Y4D2?th=1> (Year: 2021).*

* cited by examiner

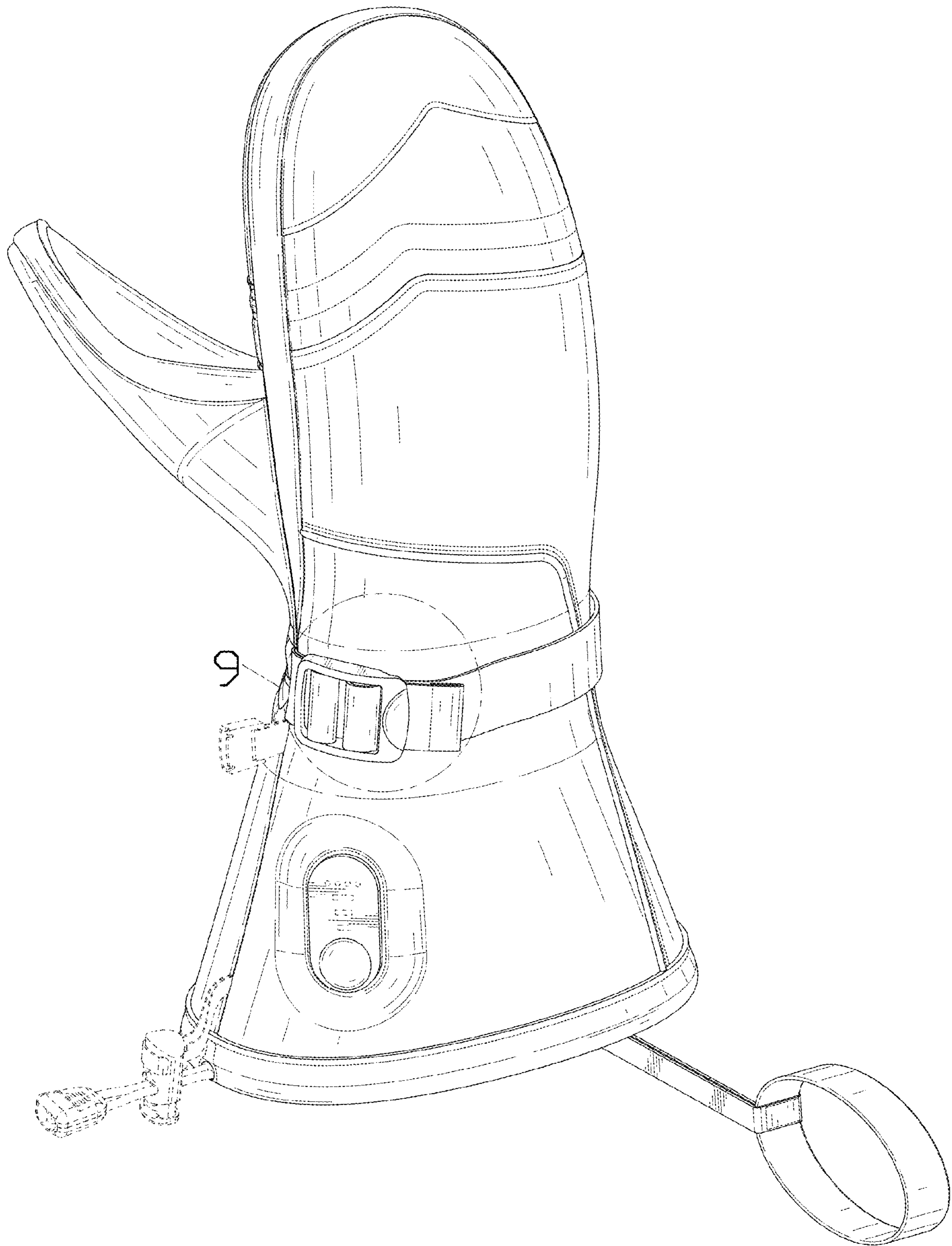


FIG. 1

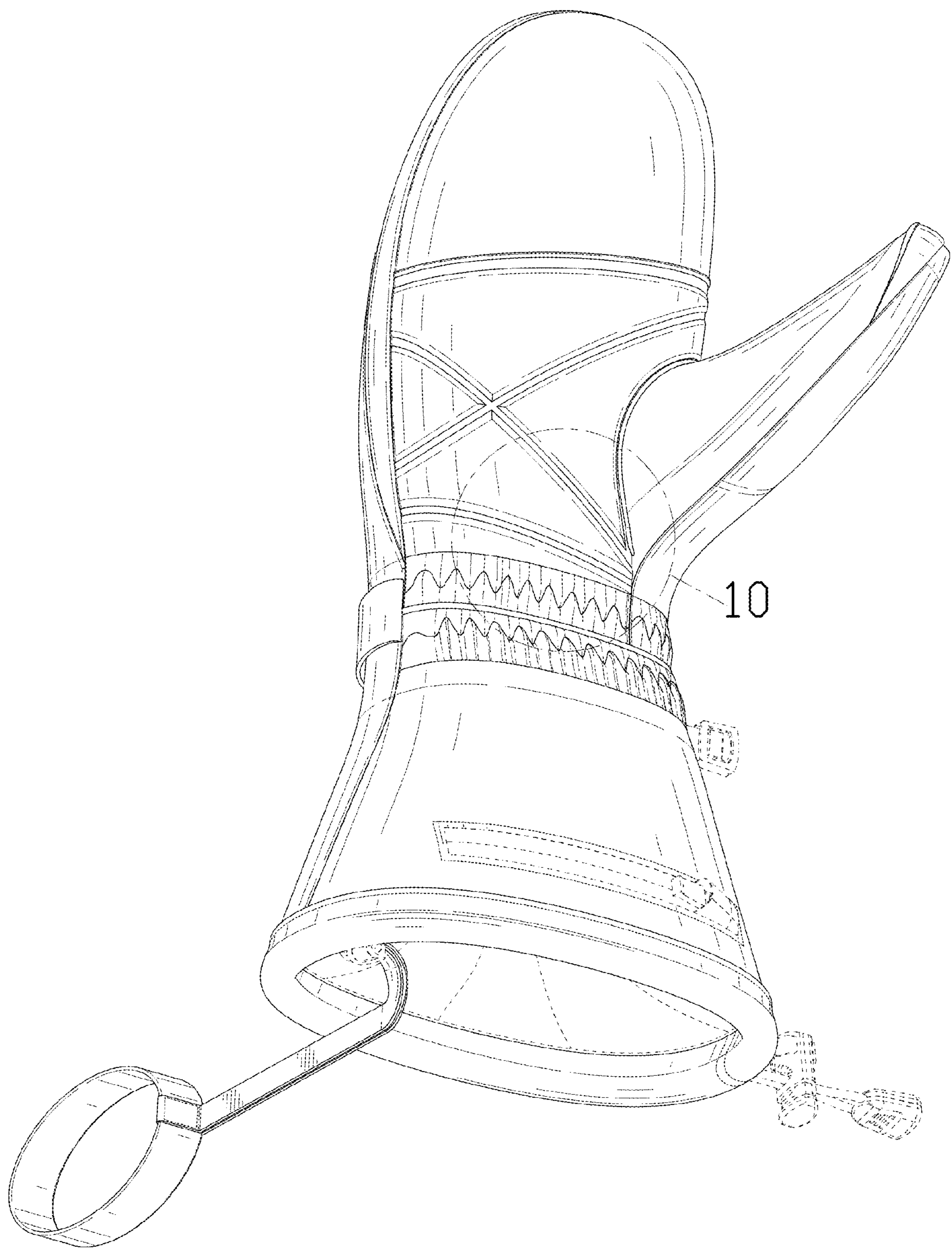


FIG. 2

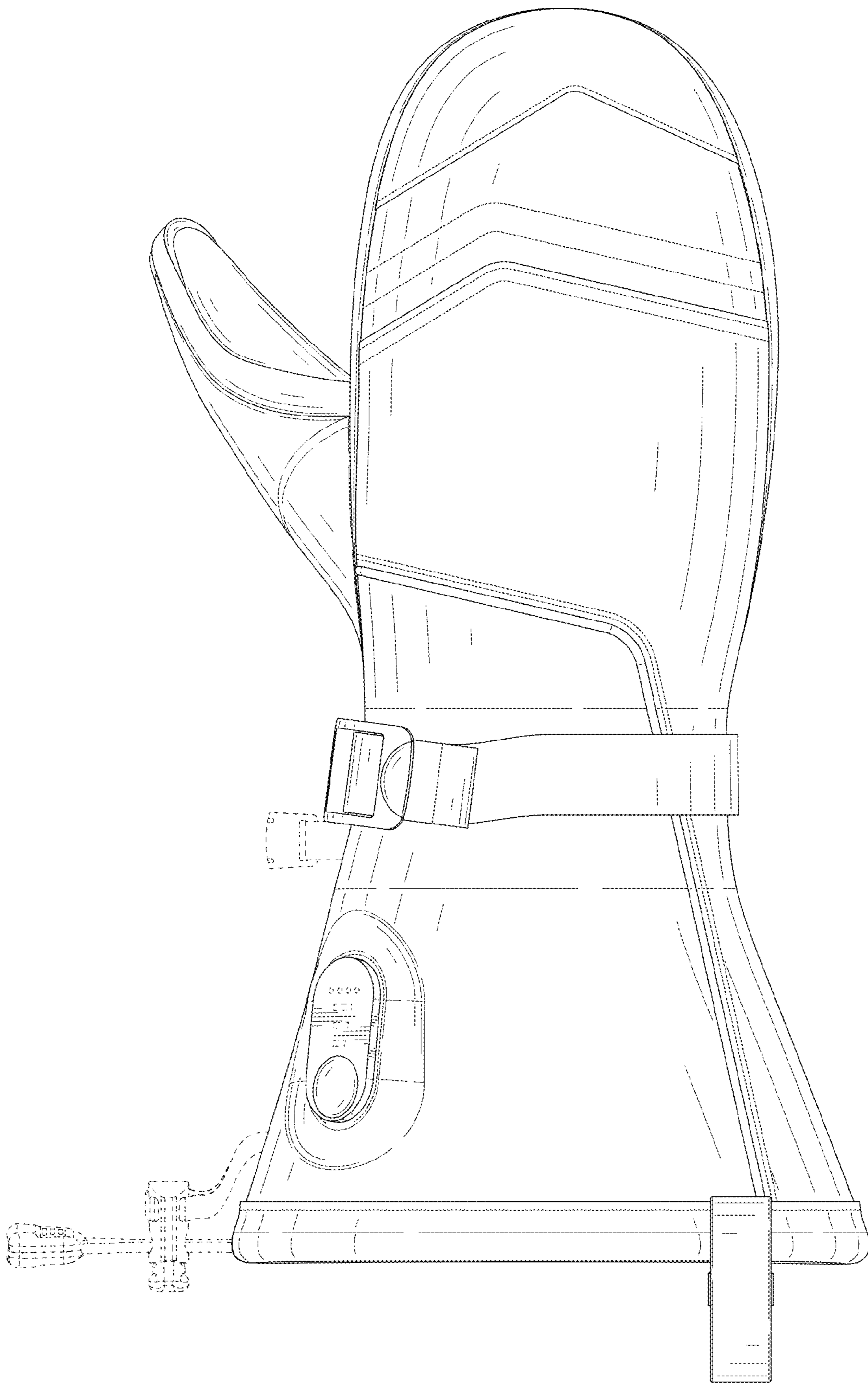


FIG. 3

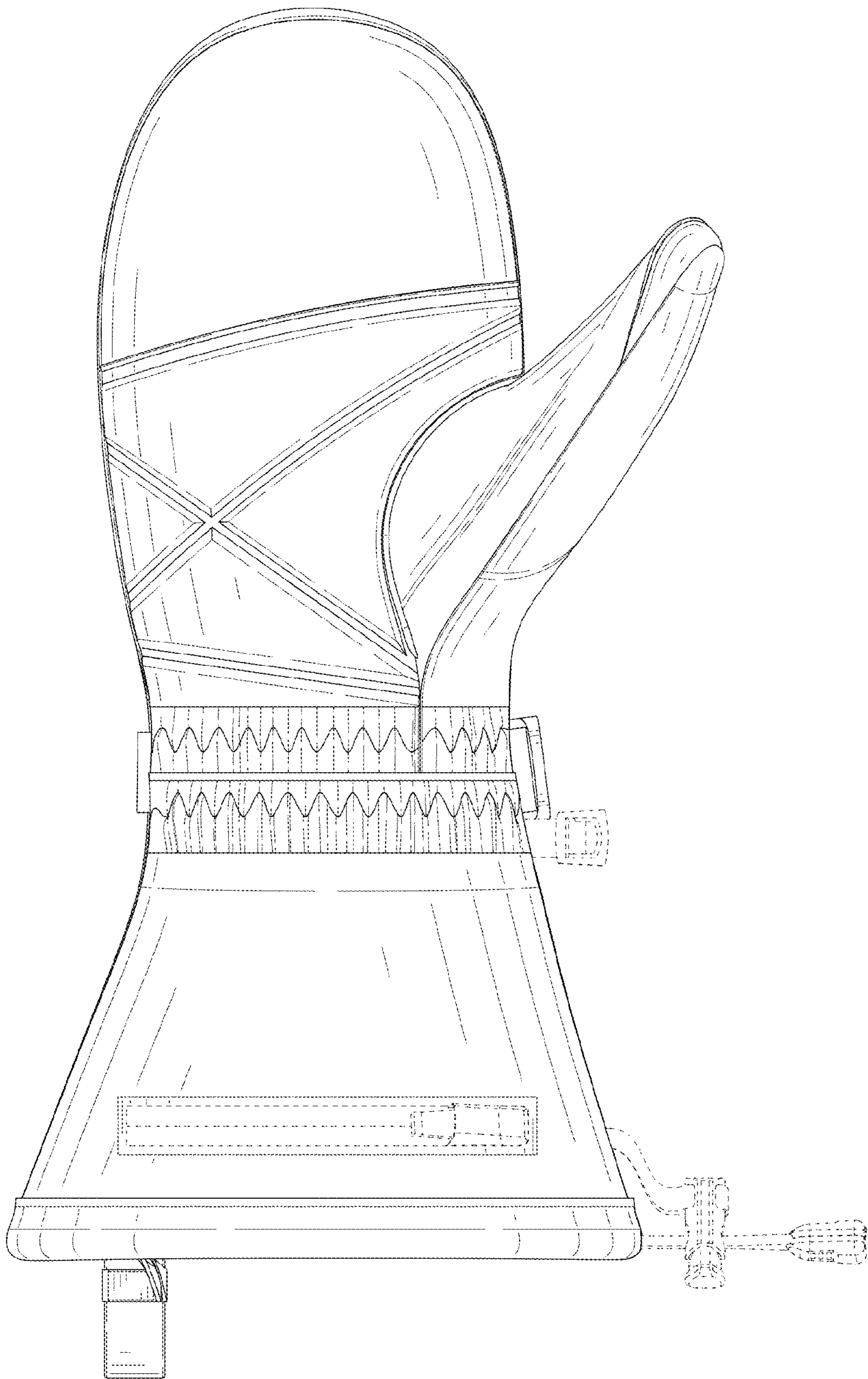


FIG. 4

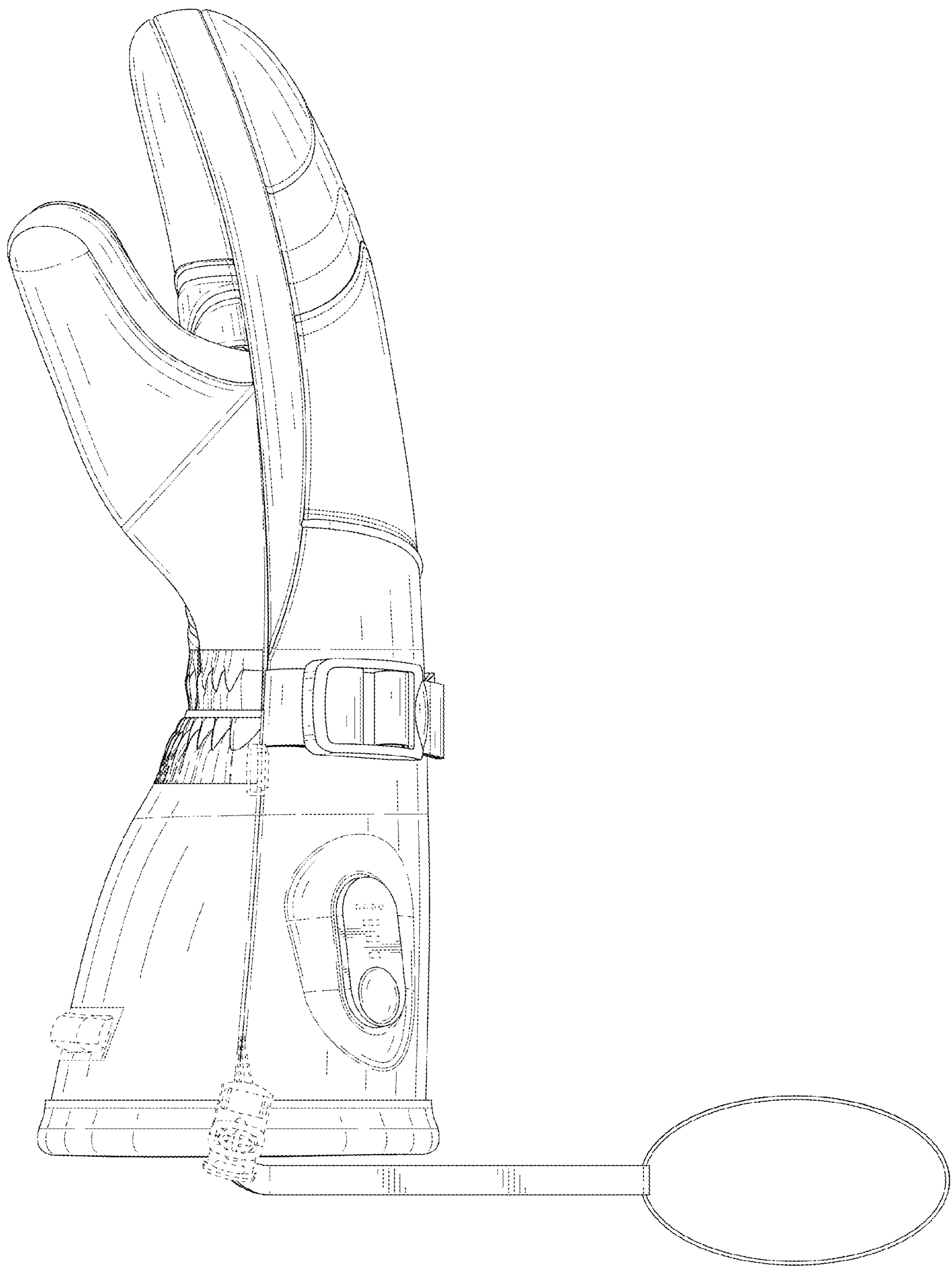


FIG. 5

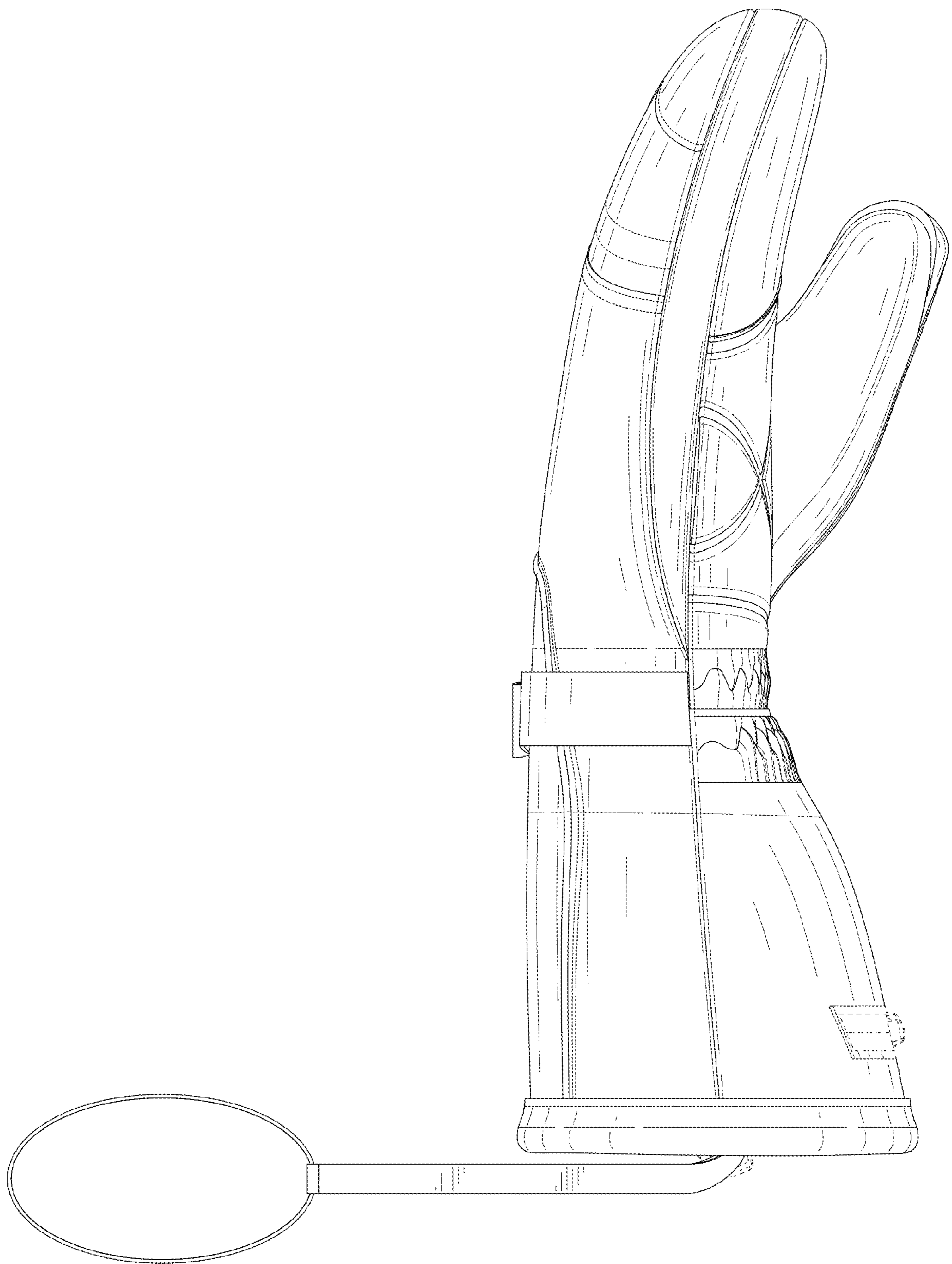


FIG. 6

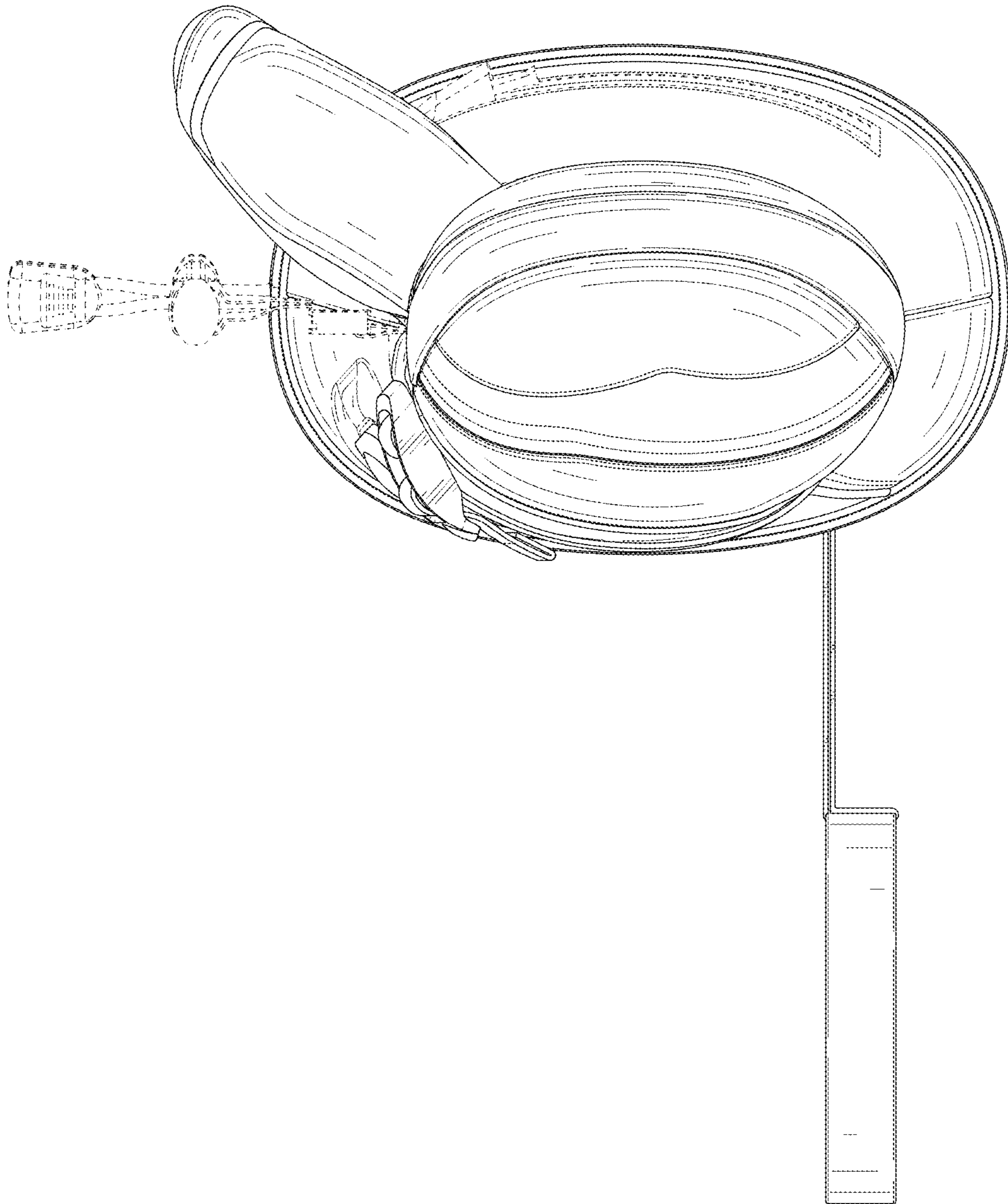


FIG. 7

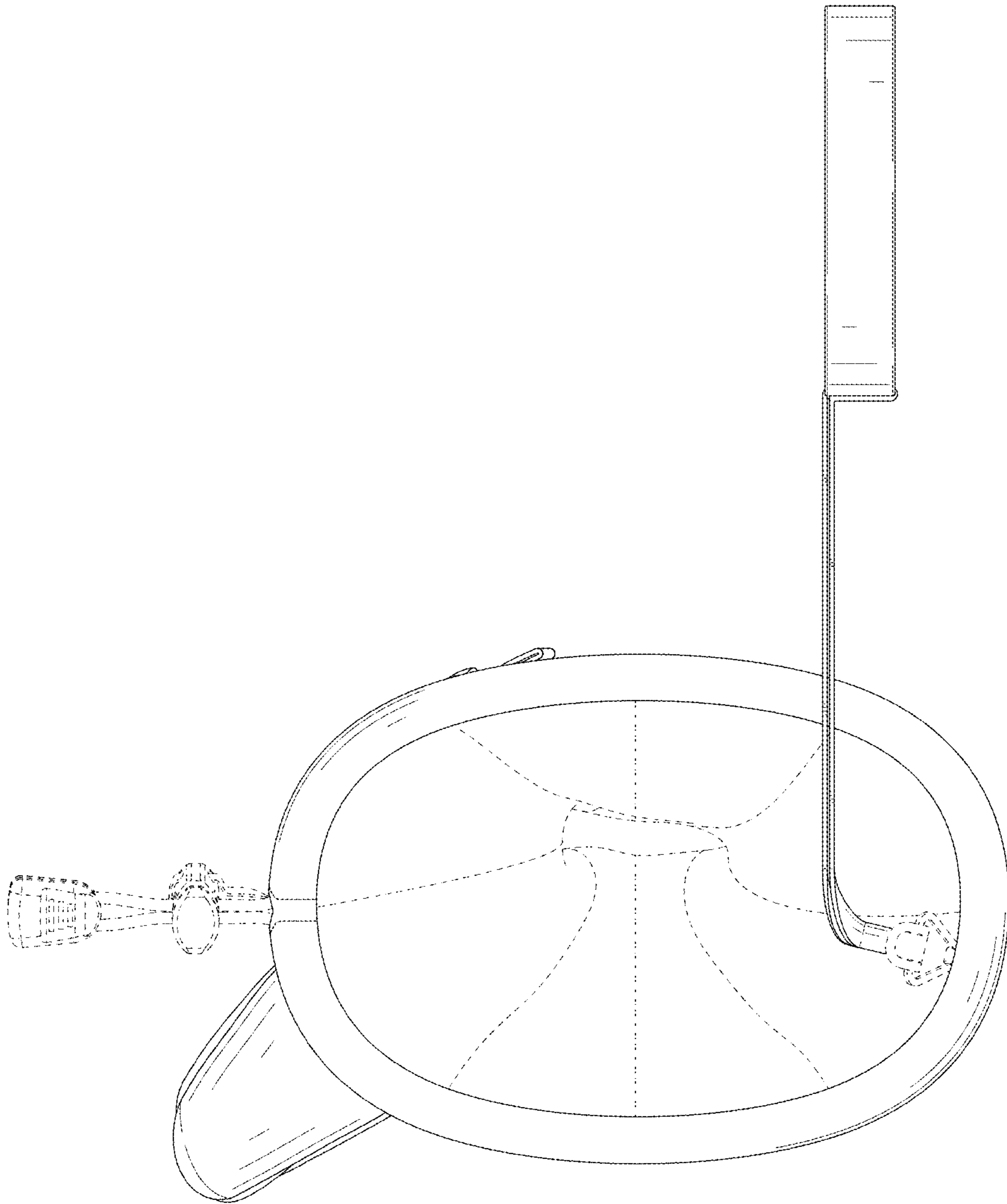


FIG. 8

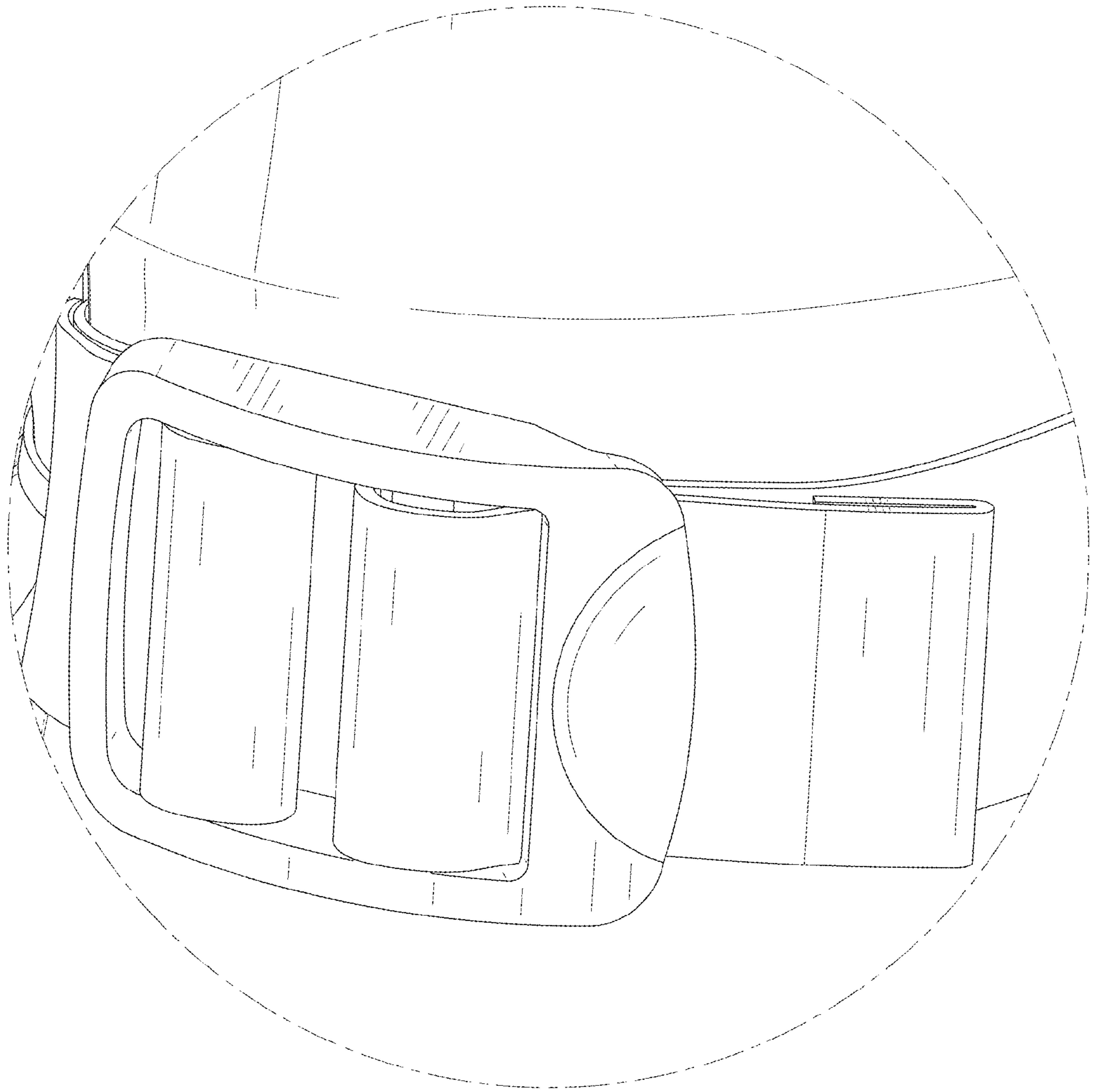


FIG. 9

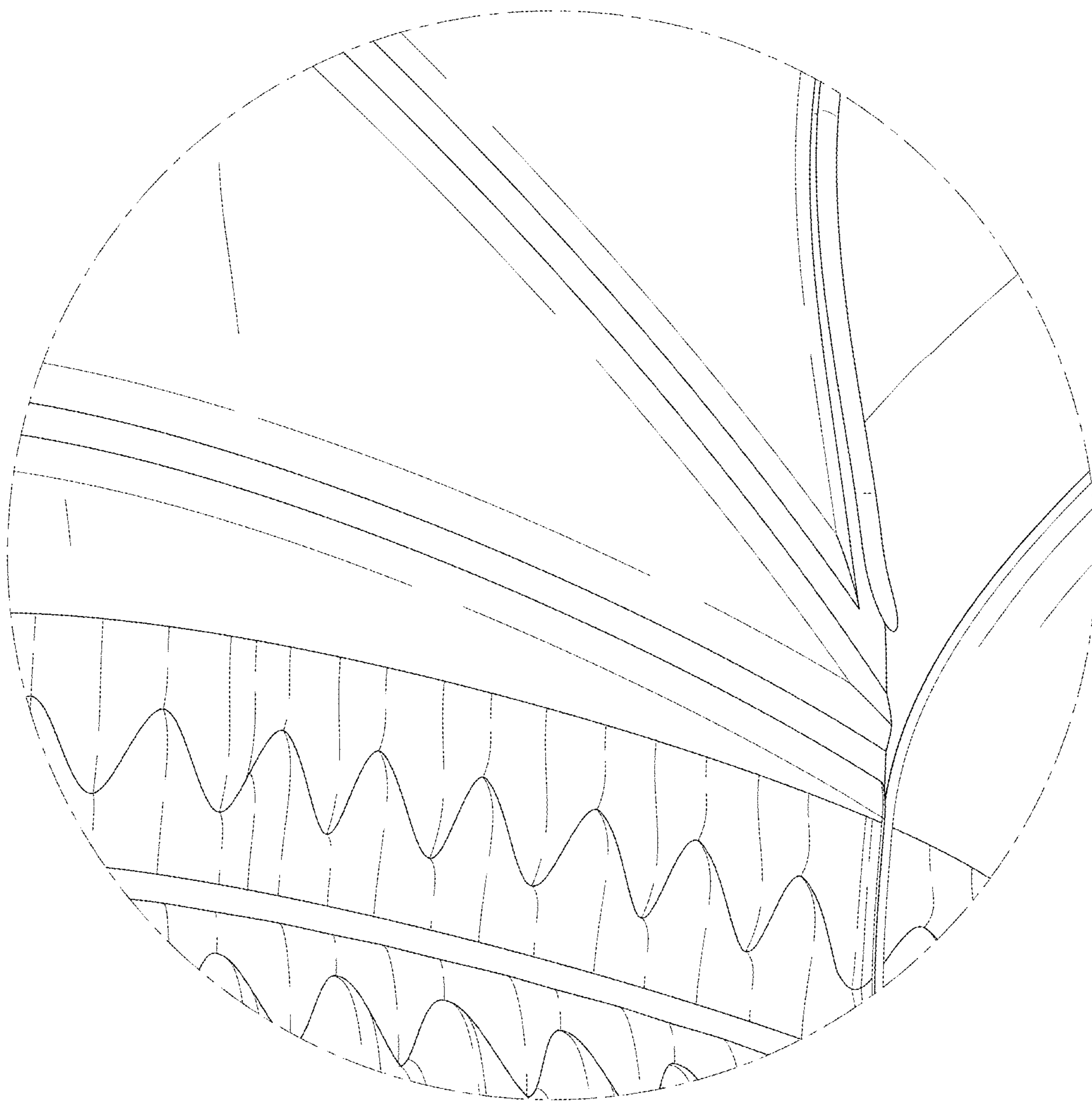


FIG. 10