



US00D984078S

(12) **United States Design Patent**
Cai

(10) **Patent No.: US D984,078 S**

(45) **Date of Patent: ** Apr. 25, 2023**

(54) **GLOVE**

D888,367 S 6/2020 Takahashi
D929,697 S 9/2021 Takagi et al.
D974,699 S * 1/2023 Zhu D29/113

(71) Applicant: **SHENZHEN ZHUIKONGTOU
E-COMMERCE CO., LTD.**, Shenzhen
(CN)

OTHER PUBLICATIONS

(72) Inventor: **Yaoning Cai**, Shenzhen (CN)

Hinshark LED Flashlight Gloves, posted at amazon.com, posting date Feb. 14, 2022, [online], [site visited Jan. 17, 2023]. Available from Internet, URL: <https://www.amazon.com/Hinshark-Stocking-Stufflers-Boyfriend-Everything/dp/B09SG6PN72?th=1> (Year: 2022).*

(73) Assignee: **SHENZHEN ZHUIKONGTOU
E-COMMERCE CO., LTD.**, Shenzhen
(CN)

(Continued)

(**) Term: **15 Years**

Primary Examiner — Maria J. Edwards

(21) Appl. No.: **29/844,258**

(74) *Attorney, Agent, or Firm* — Daniel M. Cohn;
Howard M. Cohn

(22) Filed: **Jun. 28, 2022**

(51) **LOC (14) Cl.** **02-06**

(57) **CLAIM**

The ornamental design for a glove, as shown and described.

(52) **U.S. Cl.**

USPC **D2/617**

DESCRIPTION

(58) **Field of Classification Search**

USPC D2/610, 614, 617-619, 621; D29/113,
D29/117.1, 117.2, 118

CPC A41D 19/00

See application file for complete search history.

FIG. 1 is a perspective view of a glove showing my new design;

FIG. 2 is another perspective view thereof;

FIG. 3 is a front elevational view thereof;

FIG. 4 is a rear elevational view thereof;

FIG. 5 is a left side elevational view thereof;

FIG. 6 is a right side elevational view thereof;

FIG. 7 is a top plan view thereof;

FIG. 8 is a bottom plan view thereof; and,

FIG. 9 is a perspective view of the glove where the glove is in a configuration of use.

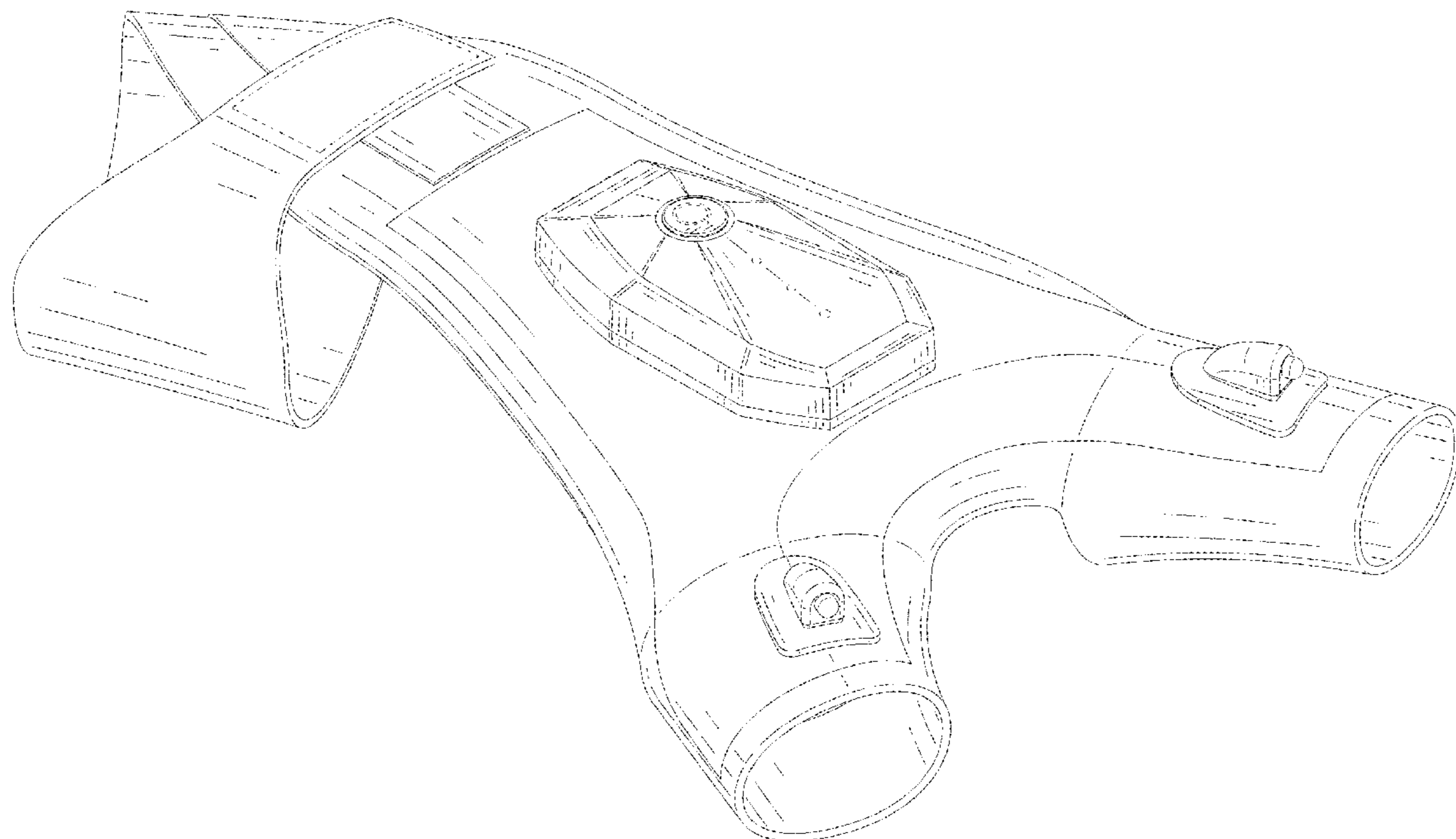
The broken lines showing a hand and an arm in FIG. 9 depict environmental structure and form no part of the claimed design. All other broken lines in the drawings depict portions of the glove and form no part of the claimed design.

(56) **References Cited**

U.S. PATENT DOCUMENTS

2,025,710 A * 12/1935 Beemer A41D 13/087
D29/113
D280,779 S * 10/1985 Laws D29/113
D434,192 S * 11/2000 Warrior D29/113
D524,489 S * 7/2006 Scott D29/113
D533,314 S * 12/2006 Schiazza D29/113
D594,602 S * 6/2009 Whitehead, II A63B 71/148
D29/113
D603,581 S * 11/2009 Rimando D2/617
D674,147 S * 1/2013 Martin, Jr. D29/113

1 Claim, 9 Drawing Sheets



(56)

References Cited

OTHER PUBLICATIONS

Kezkals Rechargeable Flashlight Gloves, posted at amazon.com, posting date Nov. 29, 2021, [online], [site visited Jan. 17, 2023]. Available from Internet, URL: <https://www.amazon.com/Valentines-Rechargeable-Flashlight-Boyfriend-Birthday/dp/B0B82ND59N/?th=1> (Year: 2021).*

Zooi Flashlight Gloves, posted at amazon.com, posting date Apr. 11, 2022, [online], [site visited Jan. 17, 2023]. Available from Internet, URL: <https://www.amazon.com/dp/B09WCW812W/?th=1> (Year: 2022).*

* cited by examiner

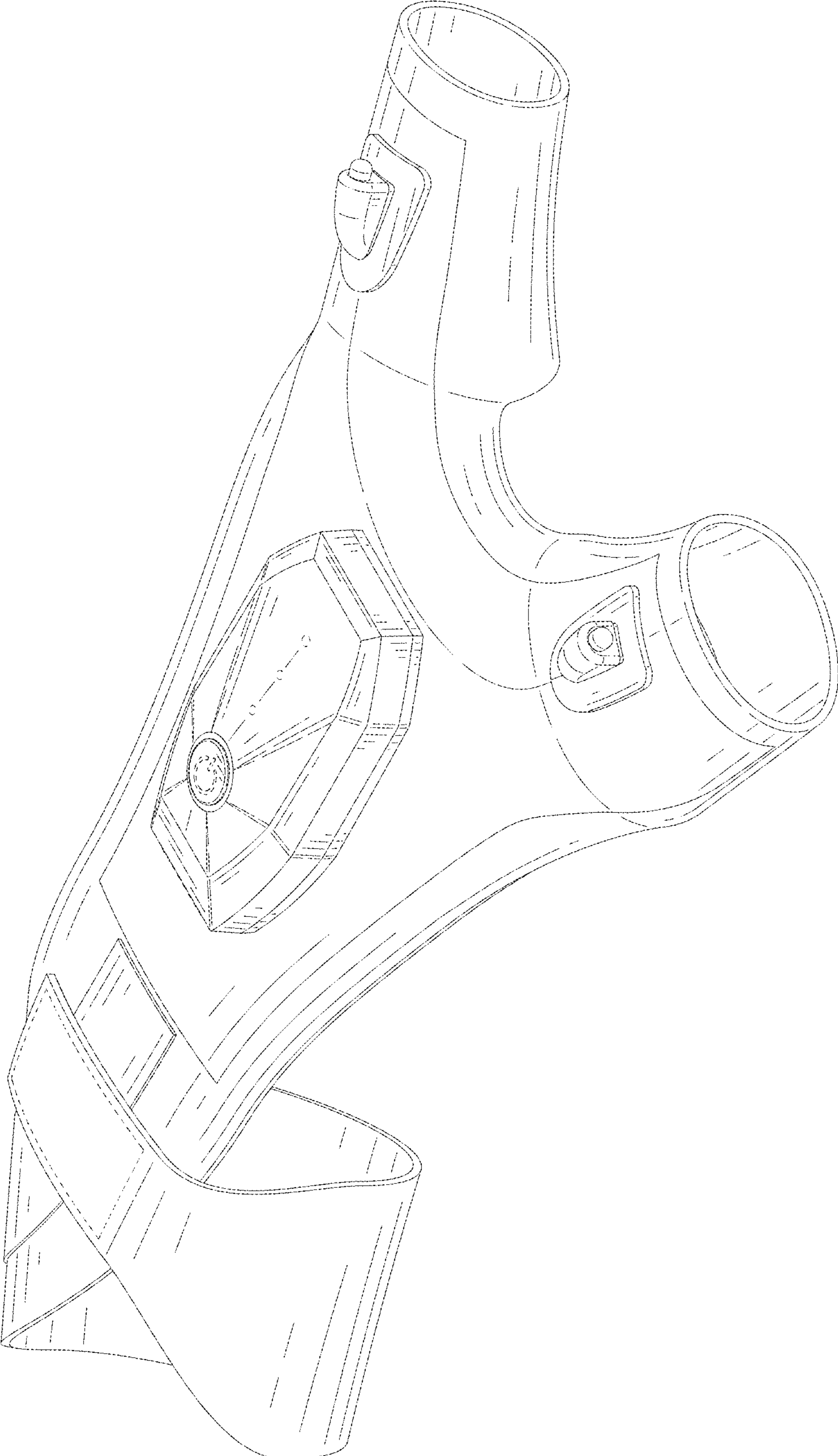


FIG. 1

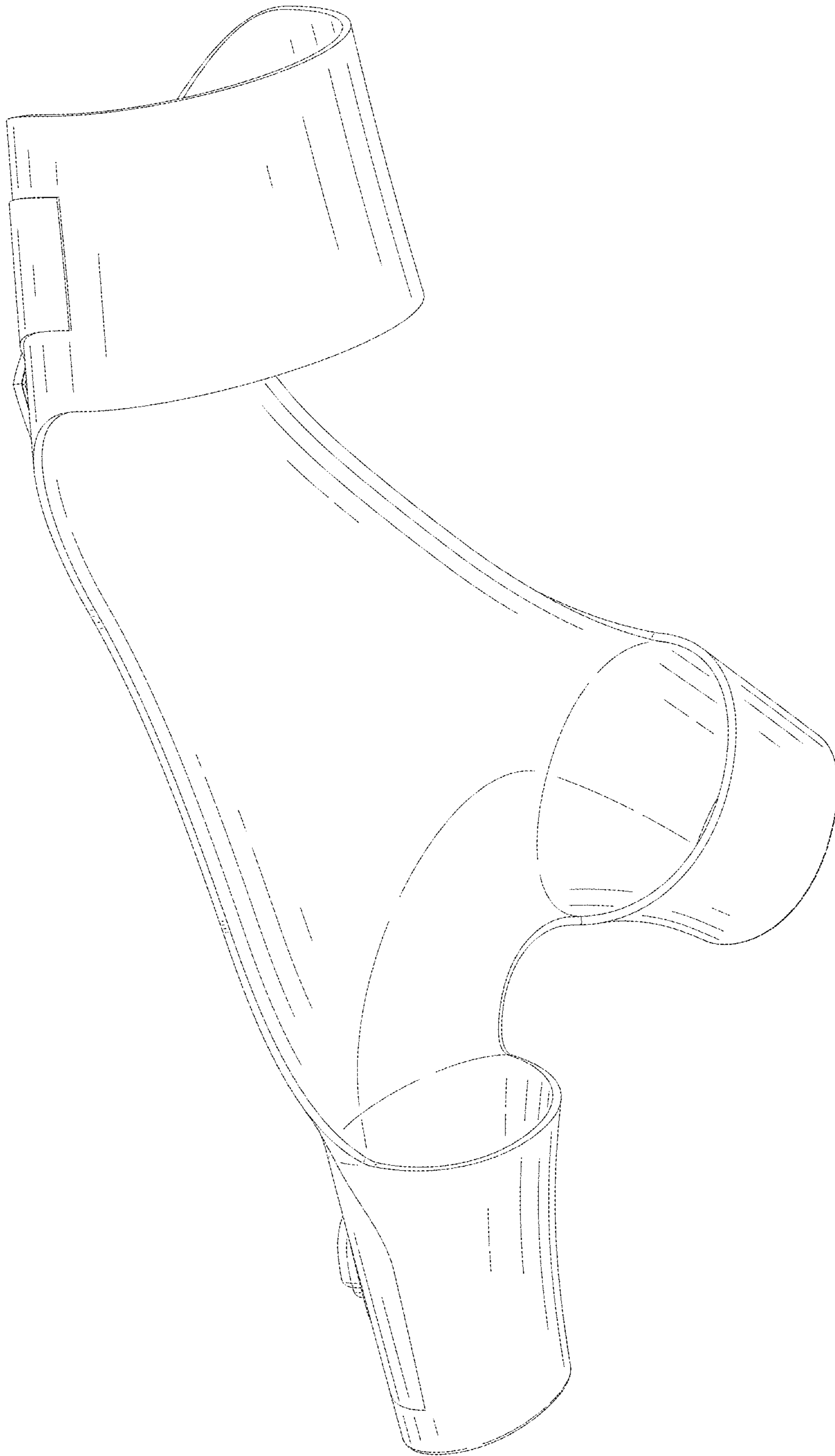


FIG. 2

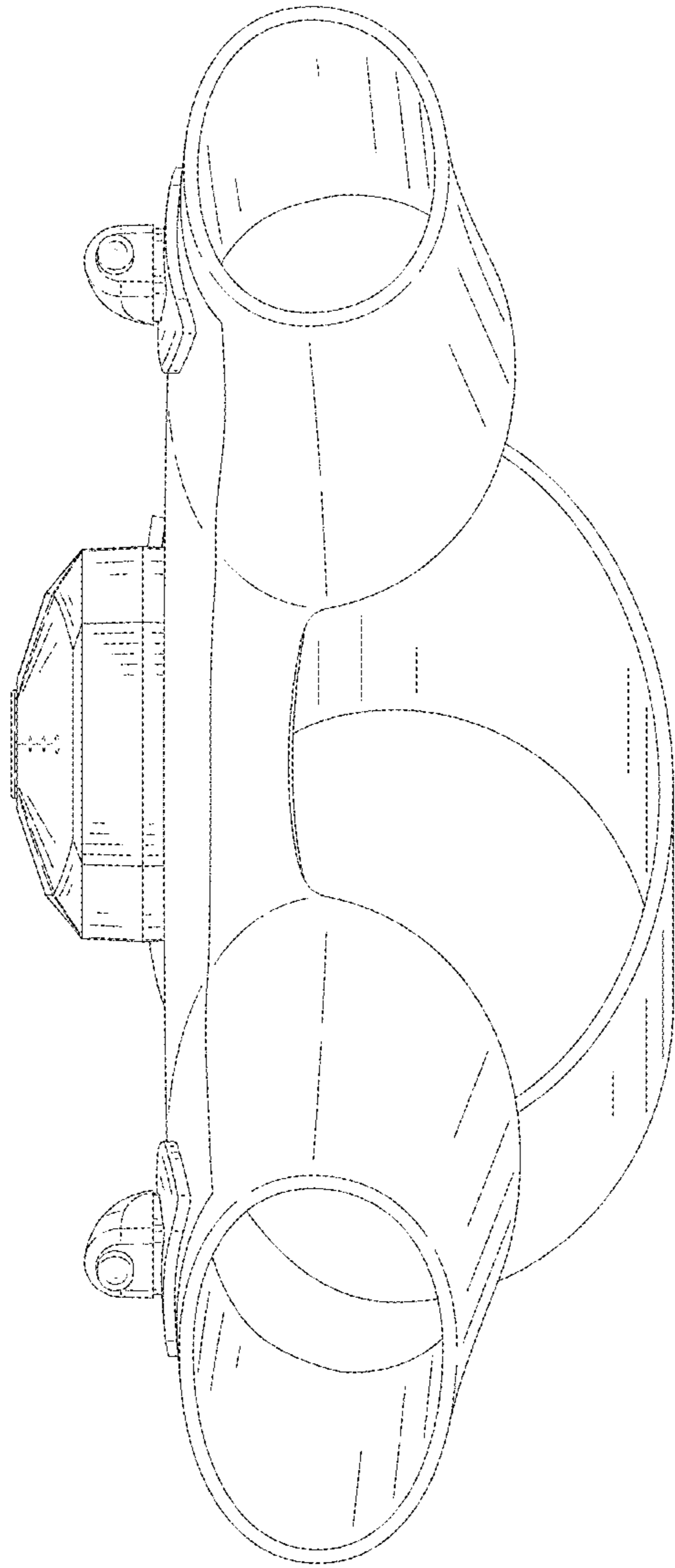


FIG. 3

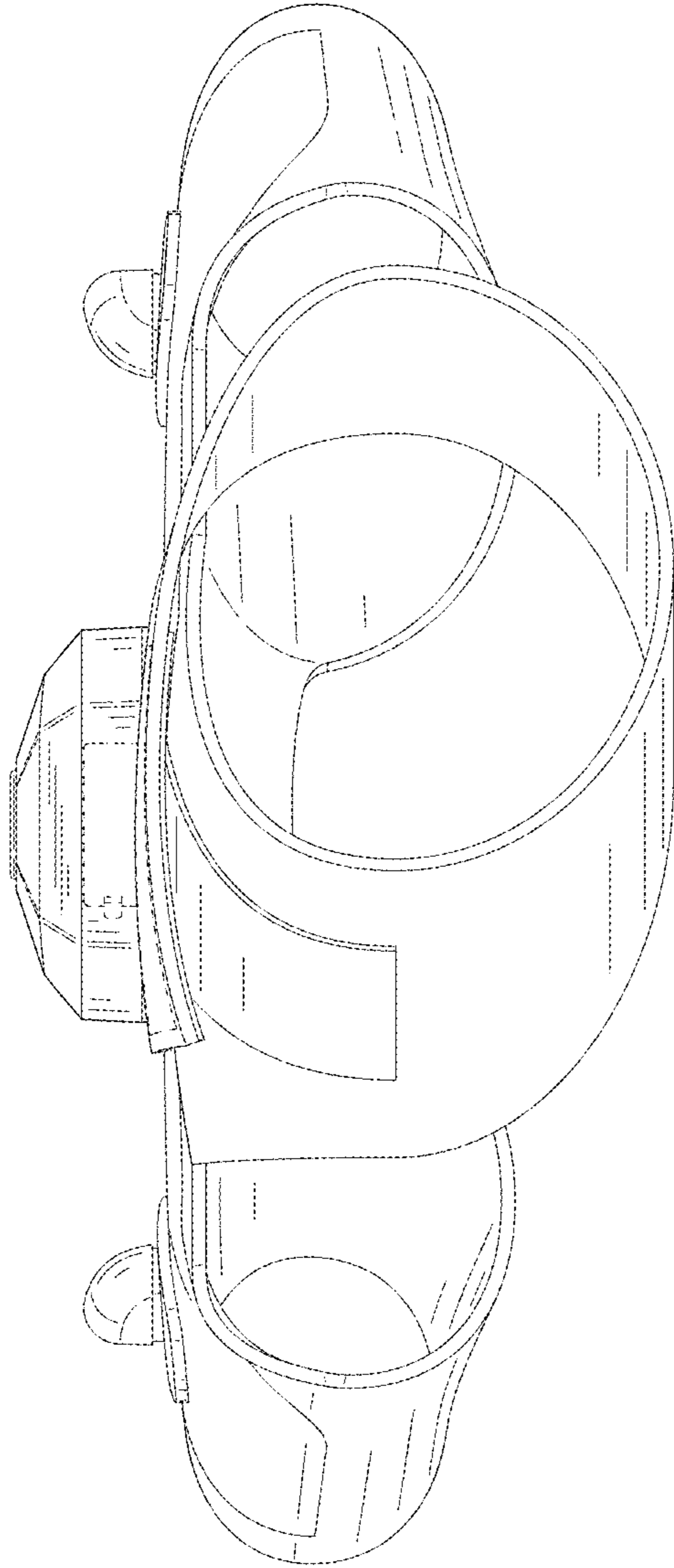


FIG. 4

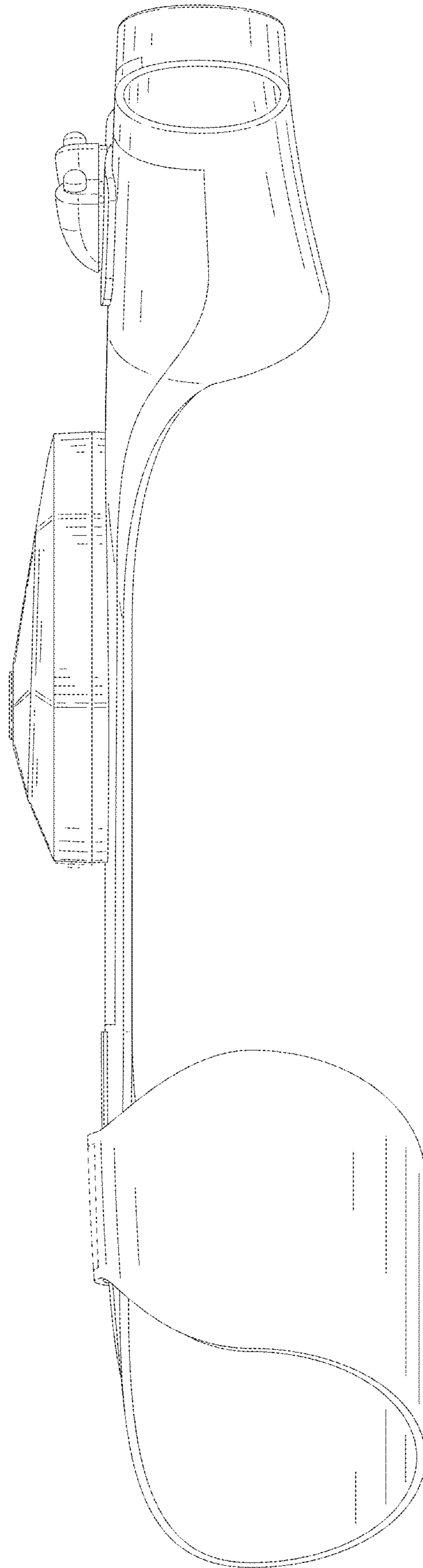


FIG. 5

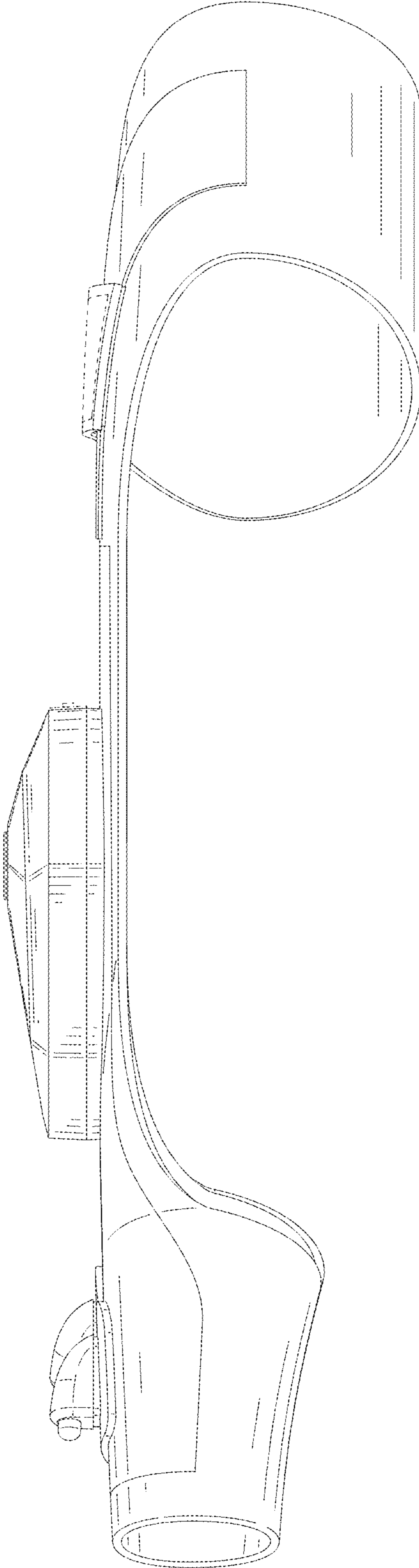


FIG. 6

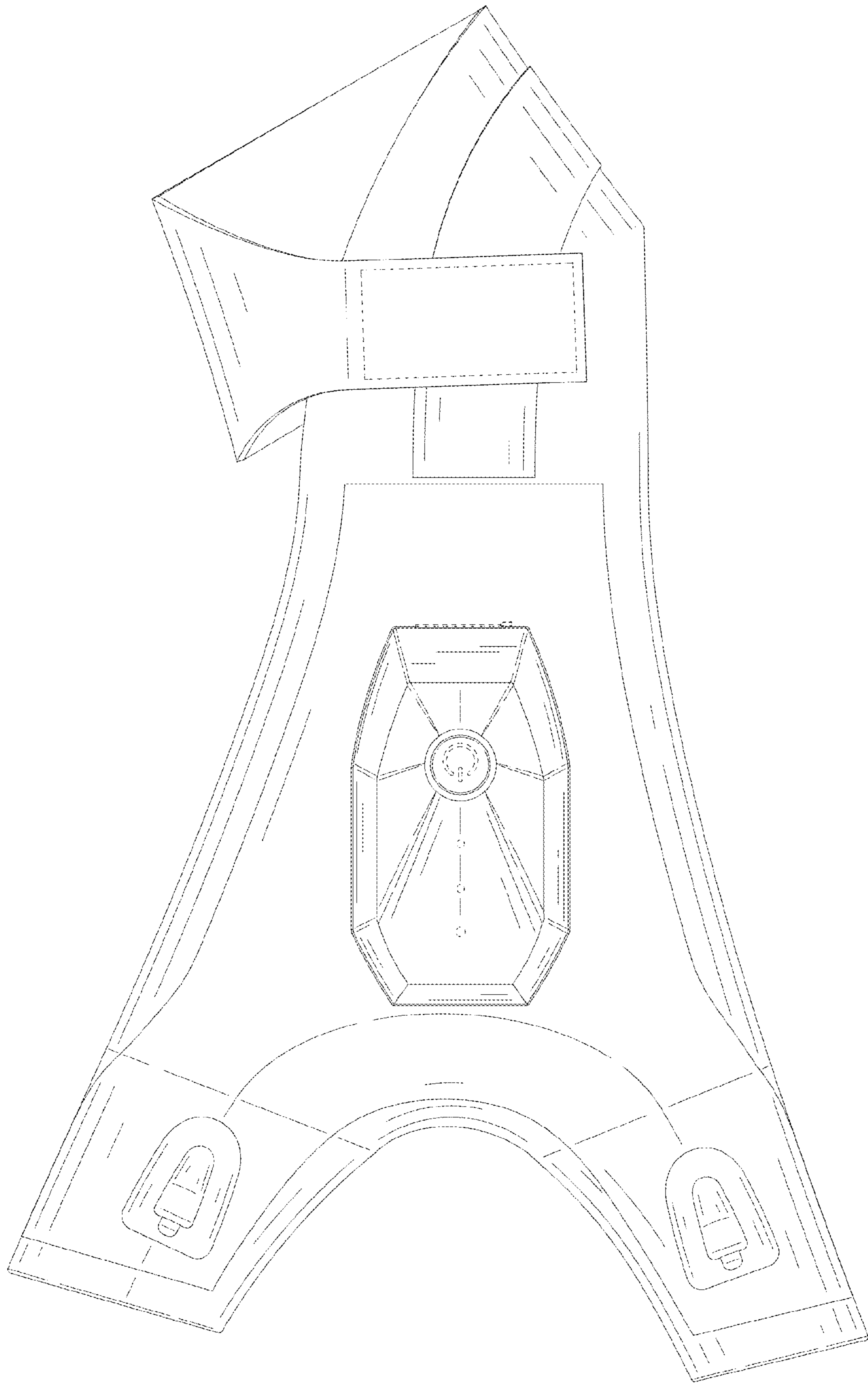


FIG. 7

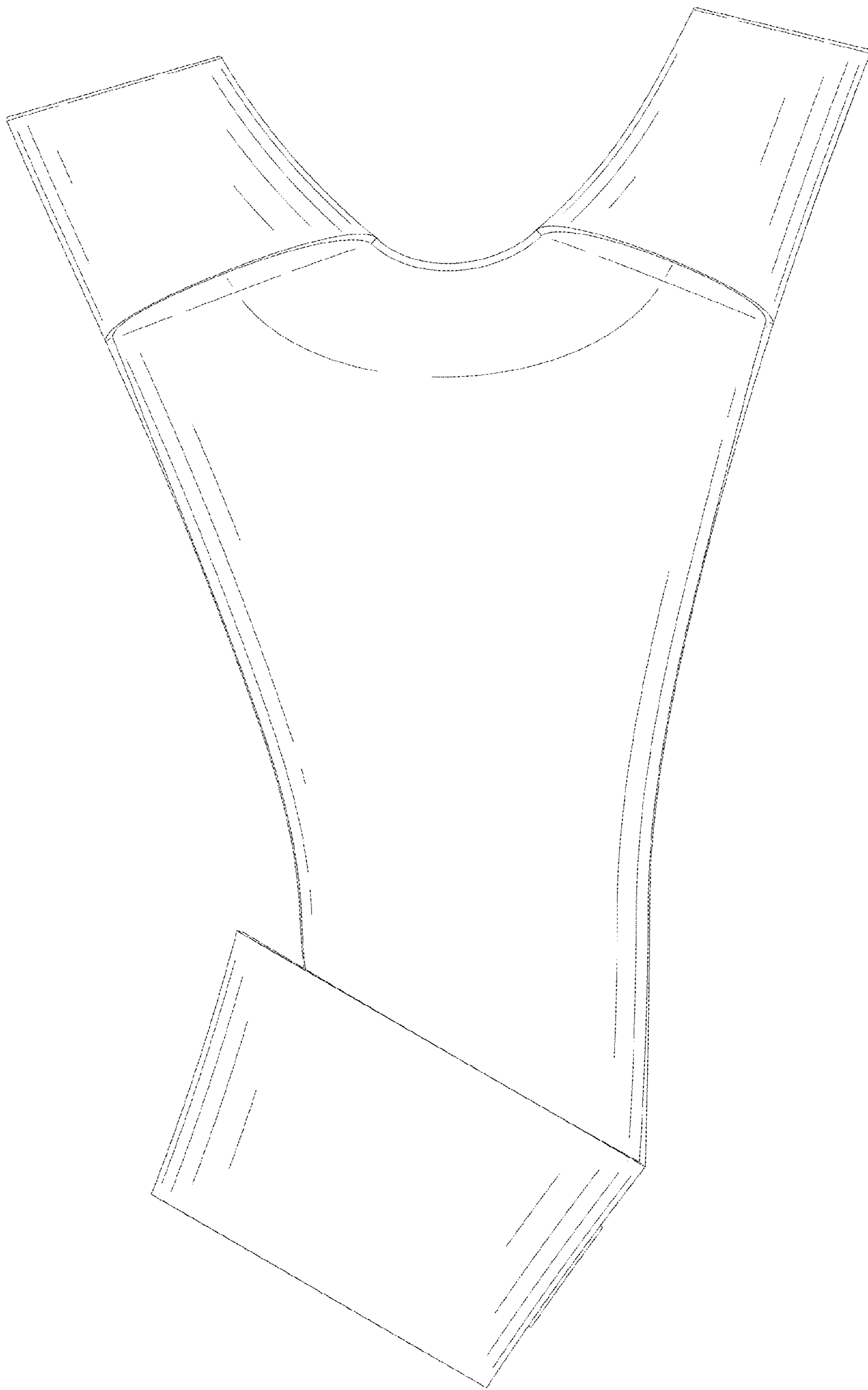


FIG. 8

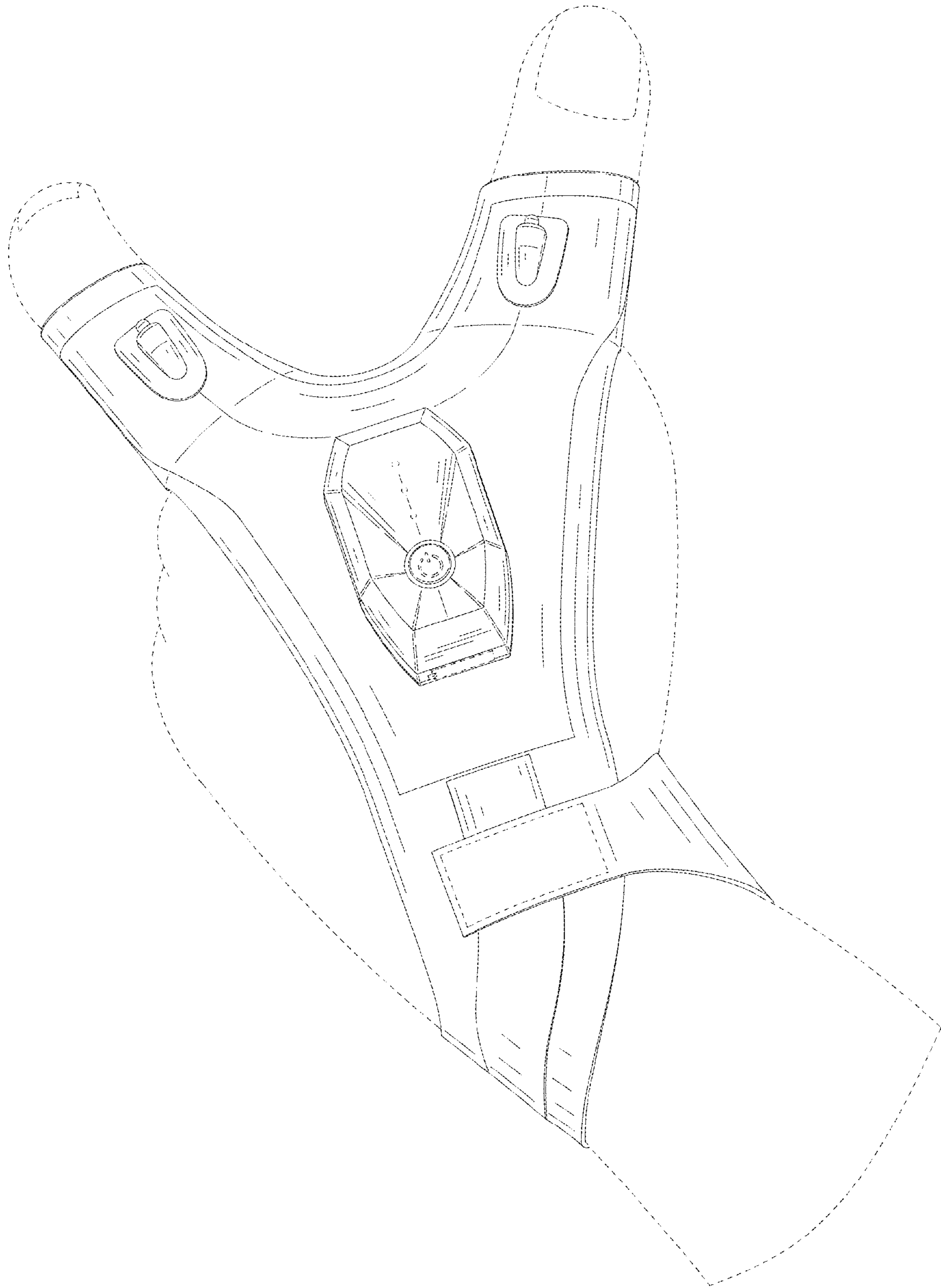


FIG. 9