



US00D984077S

(12) **United States Design Patent** (10) **Patent No.:** **US D984,077 S**  
**Elden** (45) **Date of Patent:** **\*\* Apr. 18, 2023**

(54) **COLLAPSIBLE CART WITH SWIVEL WHEELS**

(71) Applicant: **Richard Elden**, Paramount, CA (US)

(72) Inventor: **Richard Elden**, Paramount, CA (US)

(\*\*) Term: **15 Years**

(21) Appl. No.: **29/765,231**

(22) Filed: **Jan. 6, 2021**

(51) **LOC (14) Cl.** ..... **12-02**

(52) **U.S. Cl.**  
USPC ..... **D34/25**

(58) **Field of Classification Search**  
USPC ..... D34/12, 13, 14, 15, 16, 17, 18, 19, 20,  
D34/21, 22, 23, 24, 25, 26, 27  
CPC .. B62B 1/002; B62B 1/12; B62B 1/18; B62B  
1/20; B62B 1/10; B62B 2202/52; B62B  
13/18

See application file for complete search history.

(56) **References Cited**

**U.S. PATENT DOCUMENTS**

6,431,580	B1 *	8/2002	Kady	.....	B62B 1/125 280/655
D525,758	S *	7/2006	Lynch	.....	D34/12
D545,025	S *	6/2007	Elden	.....	D34/25
D565,269	S *	3/2008	Tomasiak	.....	D34/12
D642,764	S *	8/2011	Elden	.....	D34/24
D690,893	S *	10/2013	O'Brien	.....	D34/25
8,915,504	B1 *	12/2014	Seibert	.....	B62B 3/005 280/47.35
D723,237	S *	2/2015	Maddux	.....	D34/12
10,588,388	B2 *	3/2020	Kabalin	.....	B65D 81/3813
D904,716	S *	12/2020	Shen	.....	D34/19
D932,186	S *	10/2021	Brunner	.....	D3/294
D942,107	S *	1/2022	Ren	.....	D34/24
11,338,835	B2 *	5/2022	Elden	.....	B62B 3/025
2004/0075248	A1 *	4/2004	Elden	.....	B62B 1/12 280/651

2015/0360710	A1 *	12/2015	Thompson	.....	A45C 13/262 280/10
2017/0001654	A1 *	1/2017	O'Brien	.....	B62B 5/0013
2017/0120679	A1 *	5/2017	Naiva	.....	B60B 33/0028
2017/0297601	A1 *	10/2017	Carbonaro	.....	B62B 9/12
2018/0014502	A1 *	1/2018	O'Shaughnessy	...	A01K 27/003
2019/0216193	A1 *	7/2019	Kabalin	.....	A45C 7/0077

(Continued)

**OTHER PUBLICATIONS**

BedBathand Beyond.com May 31, 2022, Folding Crate Cart in Grey, <https://www.bedbathandbeyond.com/store/product/folding-crate-cart-in-grey/5336631> (Year: 2022).\*

(Continued)

*Primary Examiner* — Cynthia Ramirez

(74) *Attorney, Agent, or Firm* — Orbit IP

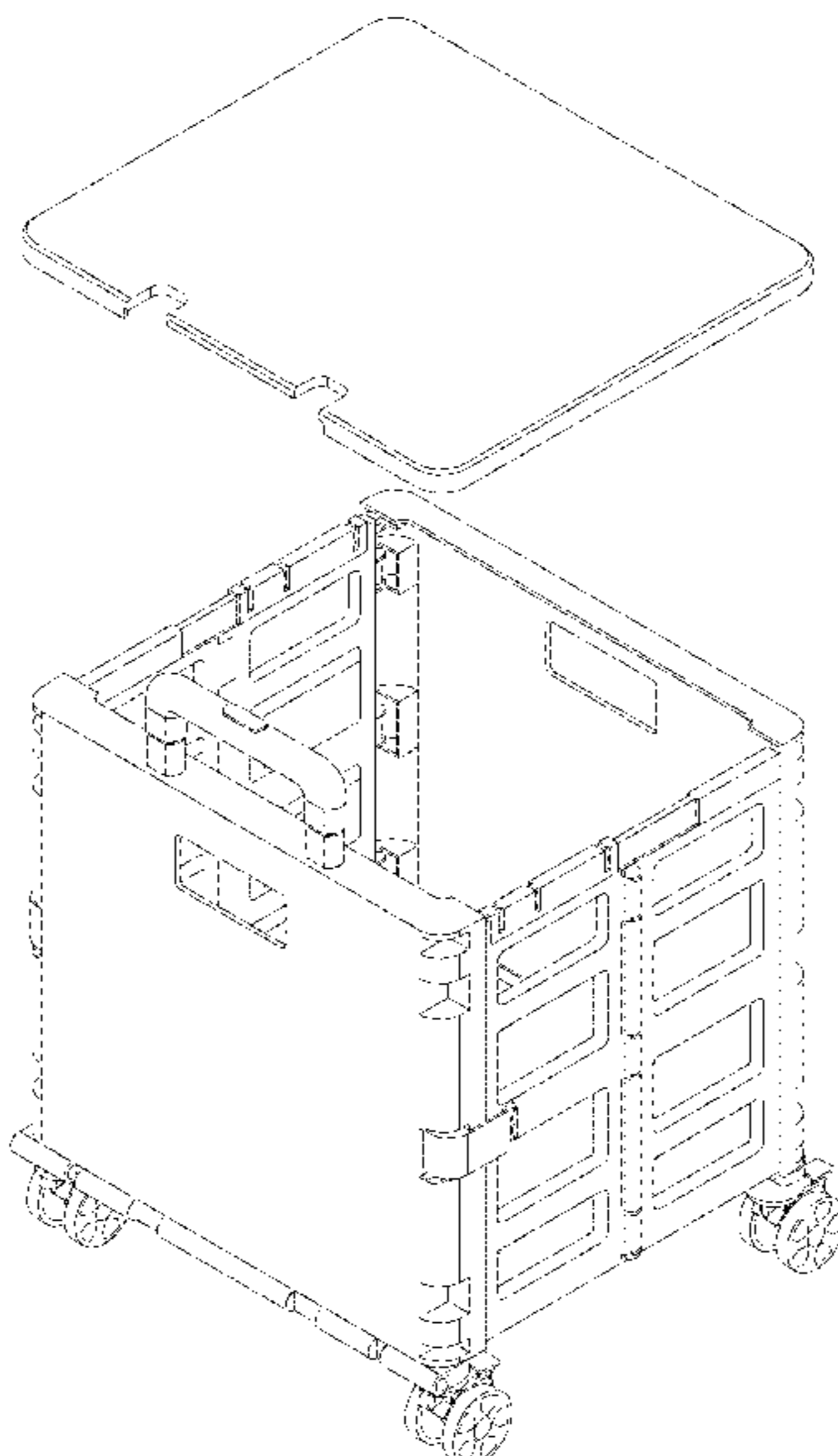
(57) **CLAIM**

The ornamental design for a collapsible cart with swivel wheels, as shown and described.

**DESCRIPTION**

FIG. 1 is a perspective view of a collapsible cart with swivel wheels showing my new design in an open condition; FIG. 2 is a right side view thereof; FIG. 3 is a left side view thereof; FIG. 4 is a front plan view thereof; FIG. 5 is a rear plan view thereof; FIG. 6 is a top view thereof; FIG. 7 is a bottom view thereof; FIG. 8 is a perspective view thereof showing my new design with the sidewalls folded inwardly; and, FIG. 9 is a perspective view thereof showing my new design in a collapsed position. The broken lines in the figures show portions of the collapsible carts with swivel wheels which form no part of the claimed design.

**1 Claim, 9 Drawing Sheets**



(56)

**References Cited**

U.S. PATENT DOCUMENTS

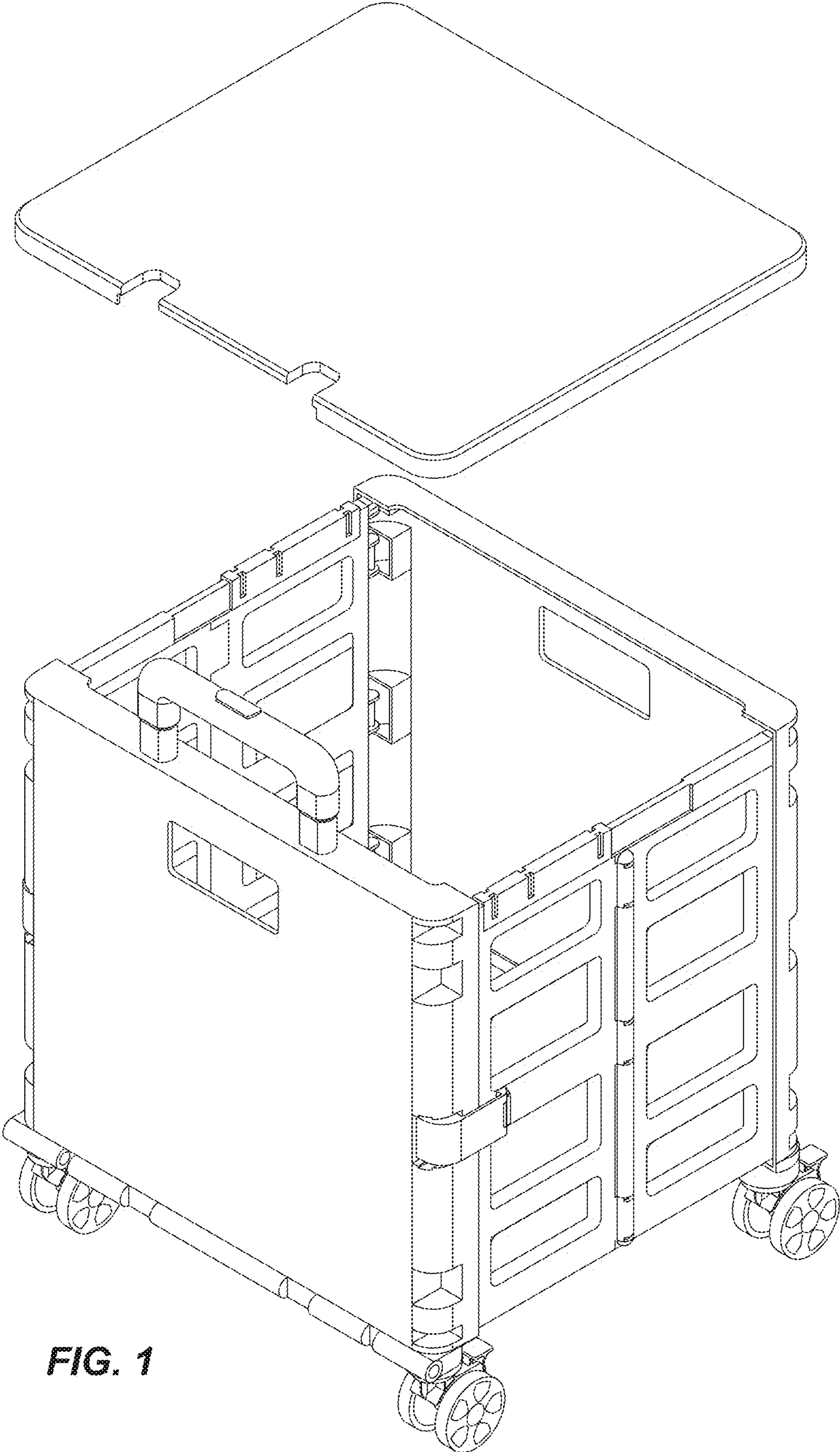
2019/0322302 A1\* 10/2019 Greenup ..... B62B 3/02  
2021/0206414 A1\* 7/2021 Elden ..... B62B 5/026

OTHER PUBLICATIONS

Globalindustrial.com May 31, 2022, Olympia Tools Grand Pack-N-Roll, <https://www.globalindustrial.com/p/pack-n-roll-grand-rolling-folding-crate-cart-85-010> (Year: 2022).\*

Amazon.com May 31, 2022, Foldable Utility Cart Portable Rolling Crate Handcart Shopping Trolley Collapsible, <https://www.amazon.com/Portable-Handcart-Telescoping-Collapsible-Shopping/dp/B08HT17X39> (Year: 2022).\*

\* cited by examiner



**FIG. 1**

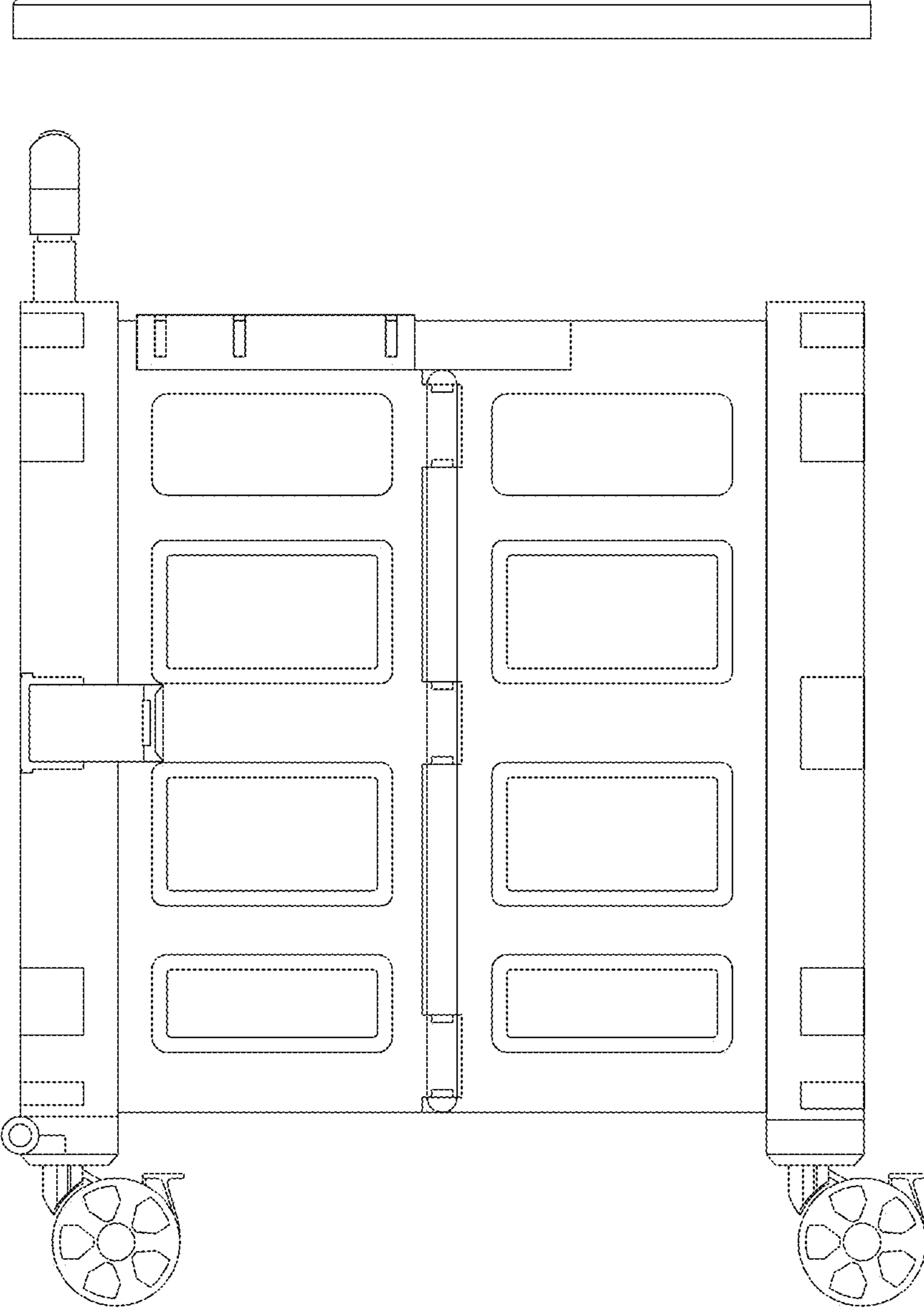


FIG. 2

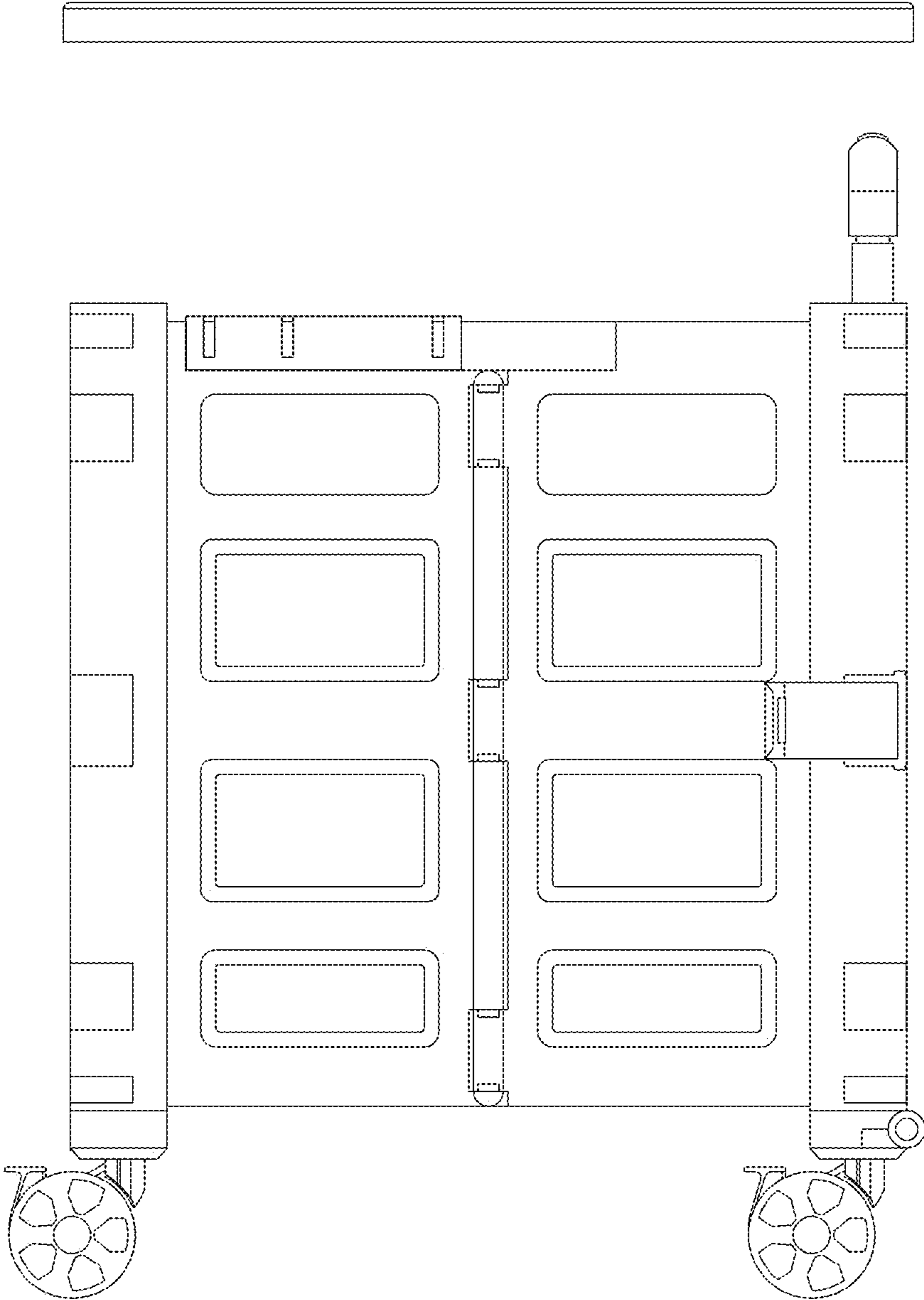
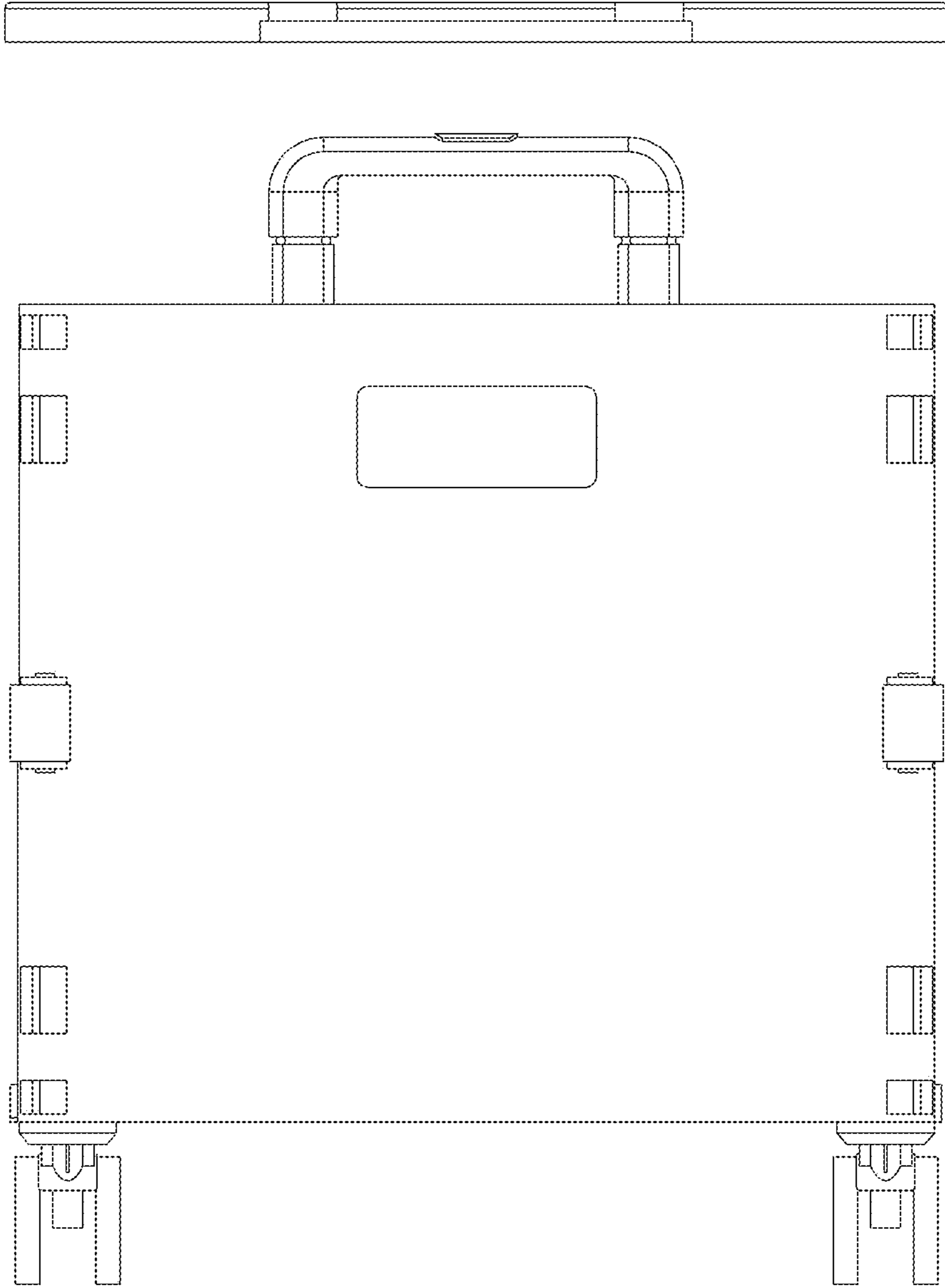
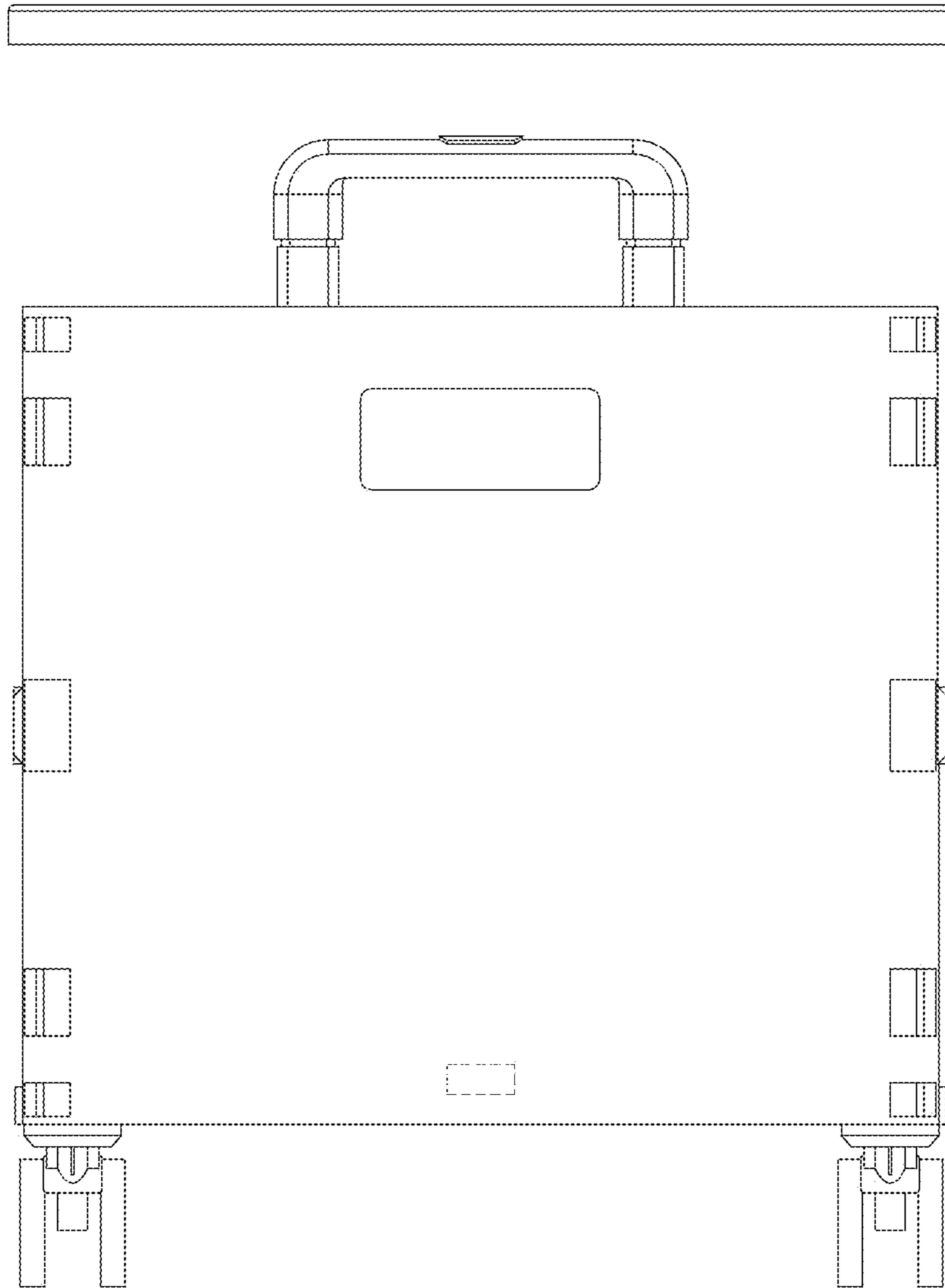


FIG. 3



**FIG. 4**



**FIG. 5**

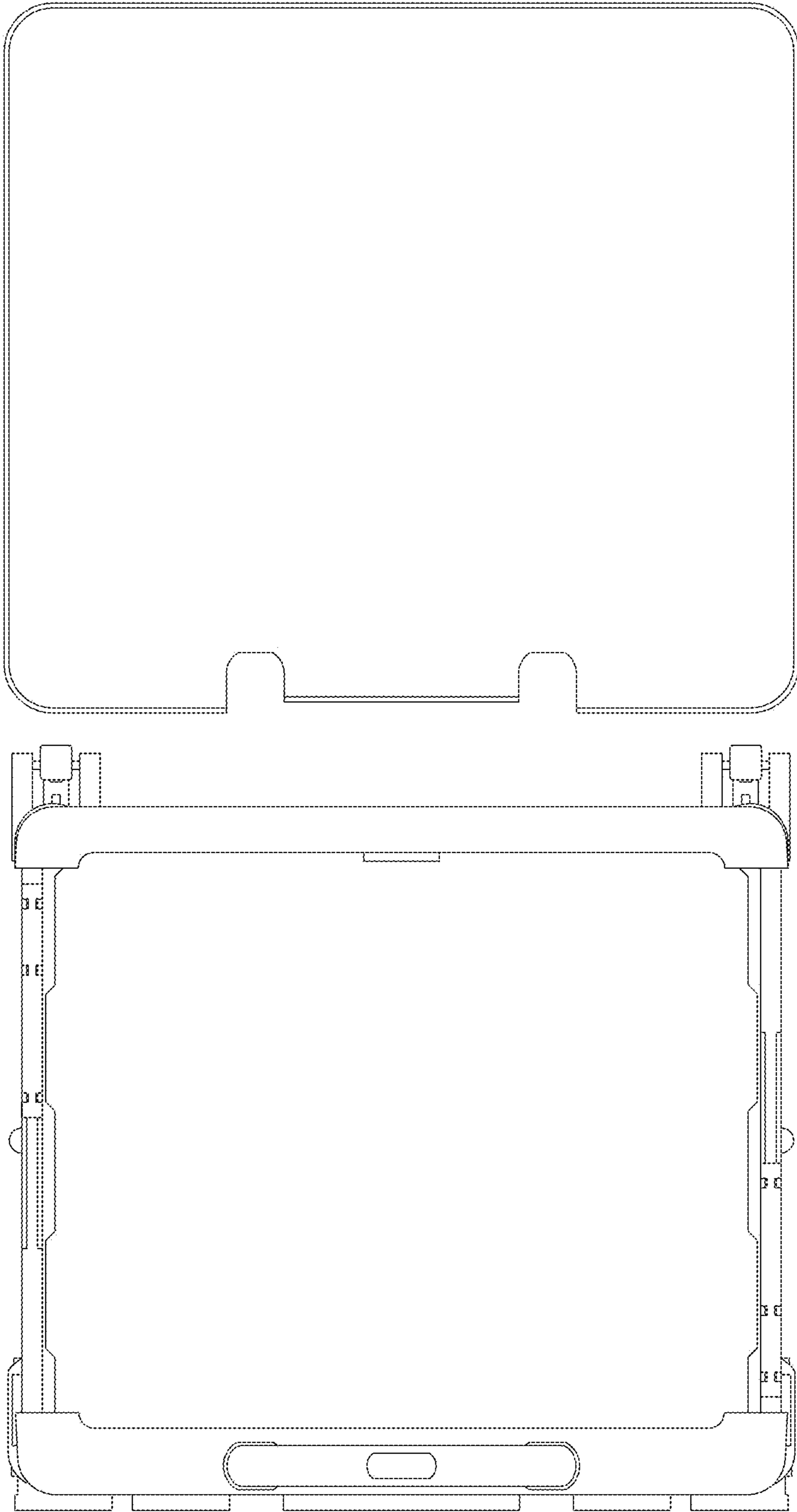
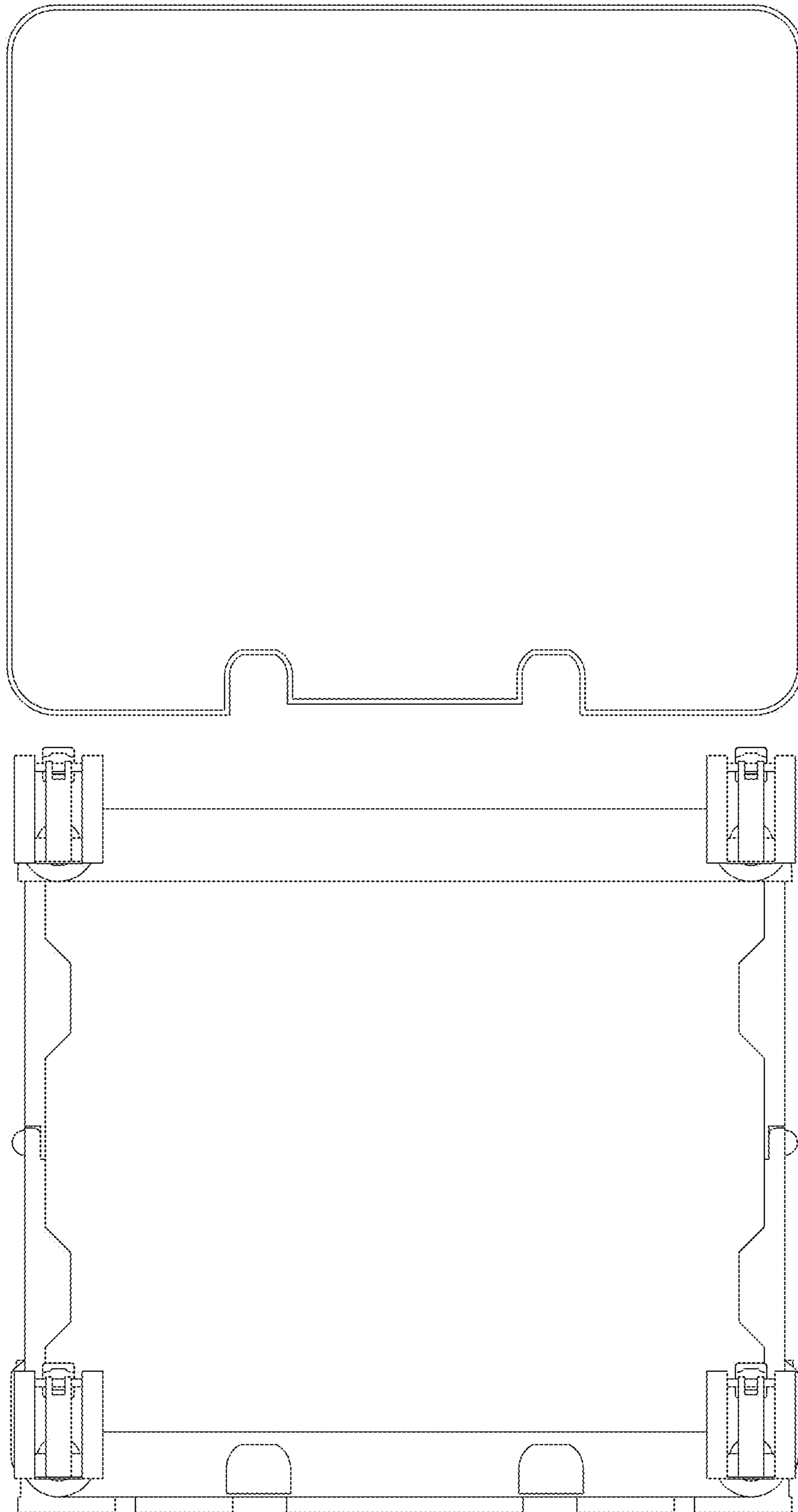


FIG. 6





**FIG. 7**

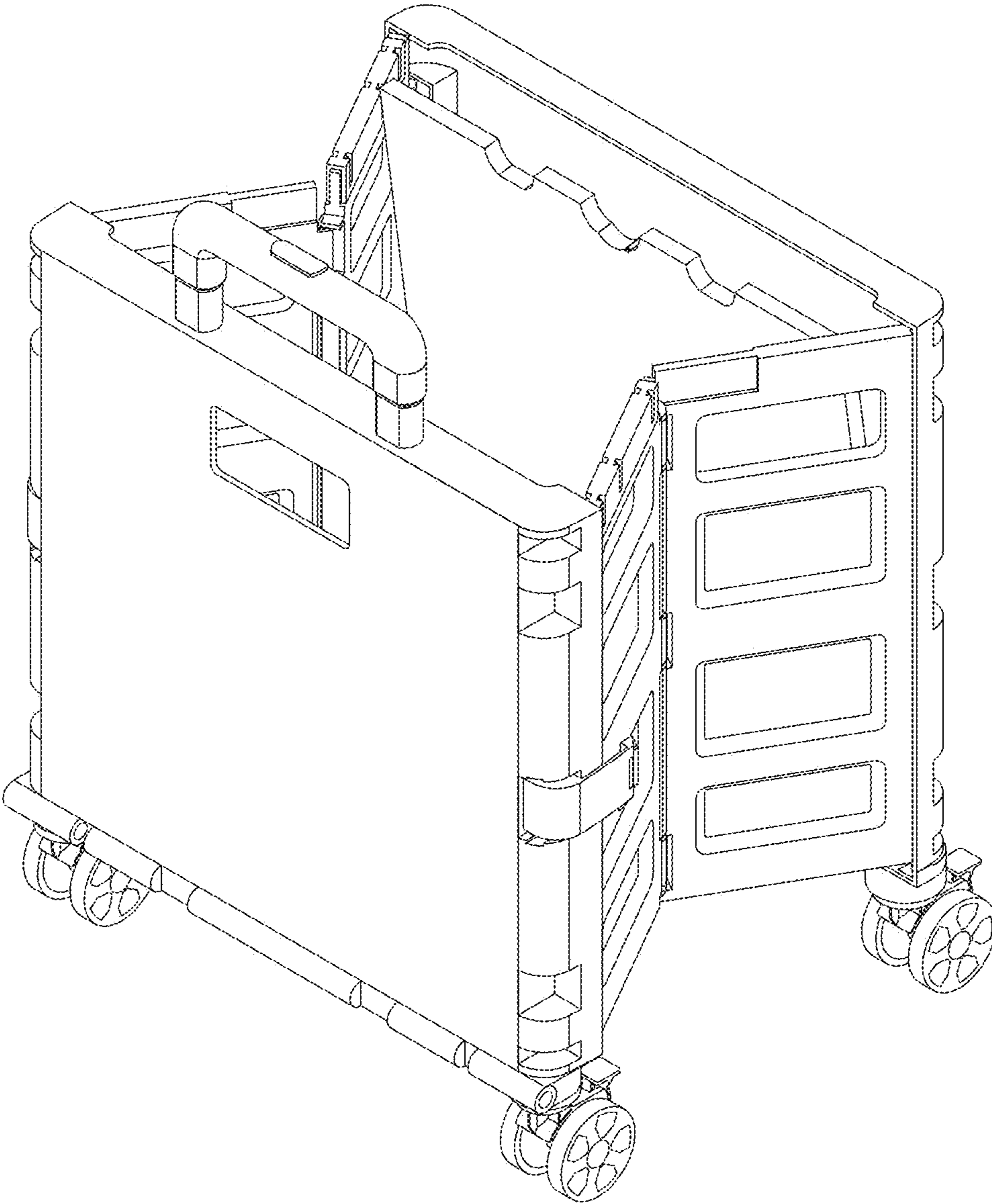
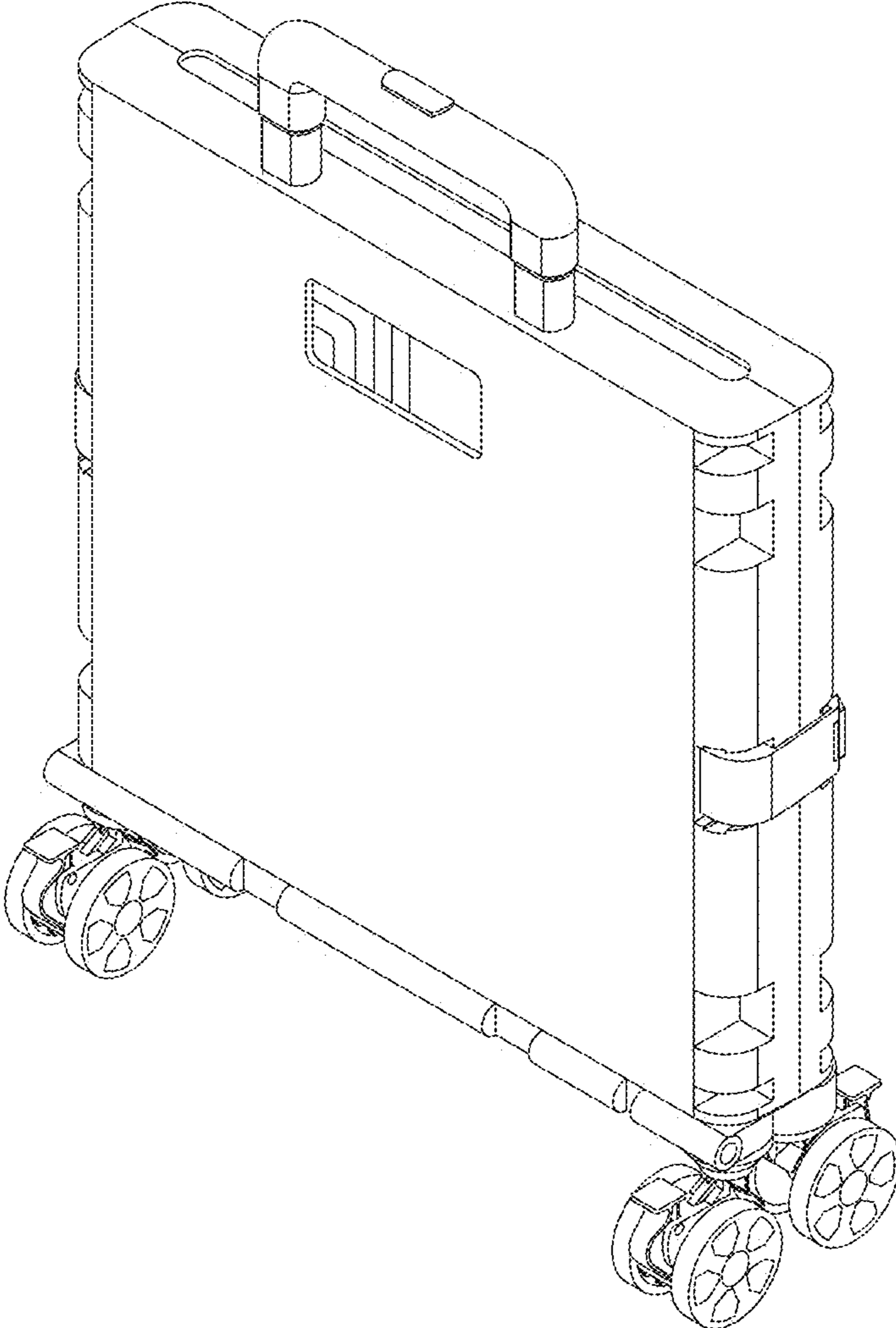


FIG. 8



**FIG. 9**